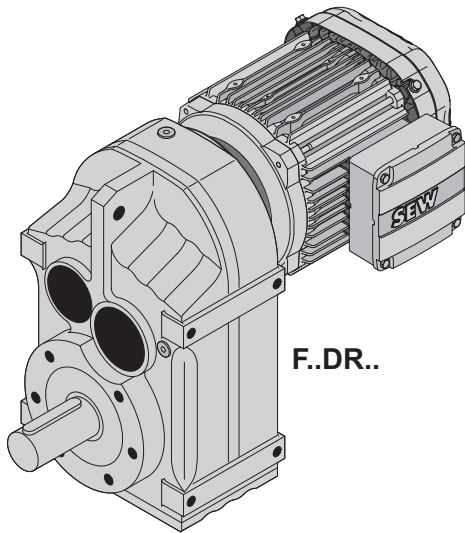
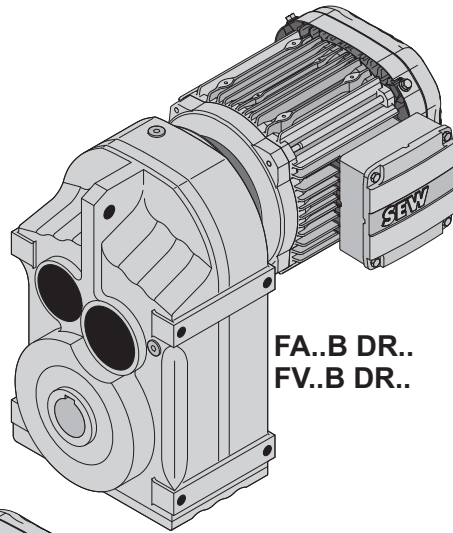


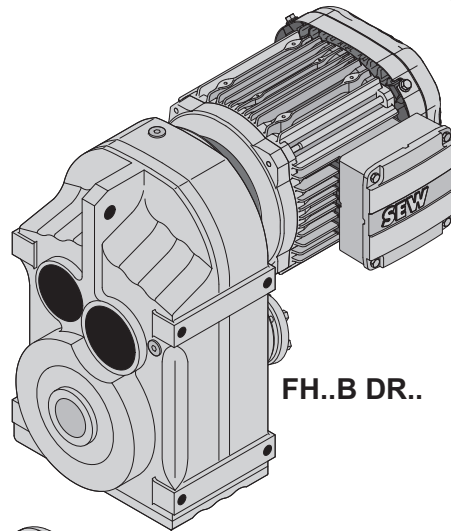
**9** theSnuggler® helical gearmotors  
**9.1** F.. DRS/DRN.. Designs



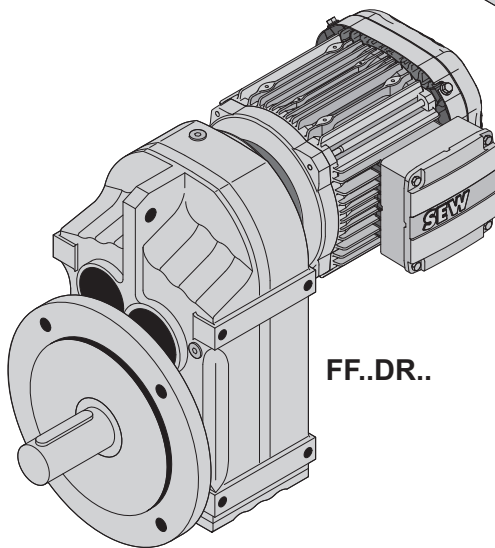
F..DR..



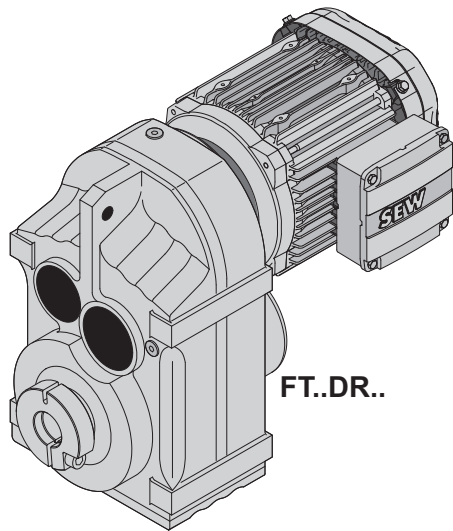
FA..B DR..  
FV..B DR..



FH..B DR..



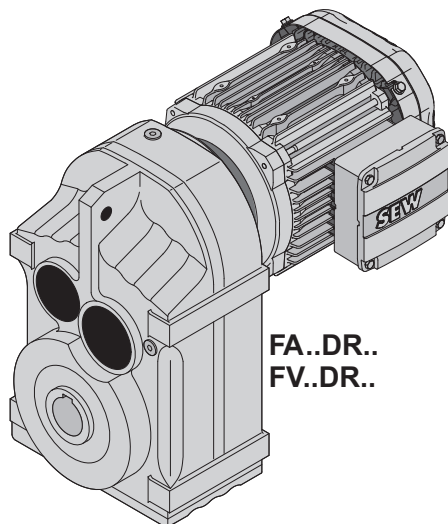
FF..DR..



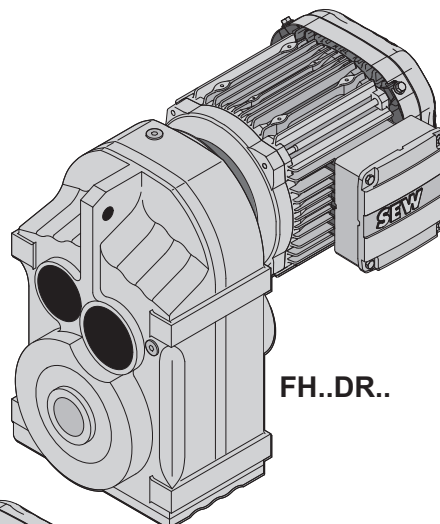
FT..DR..

13467468043

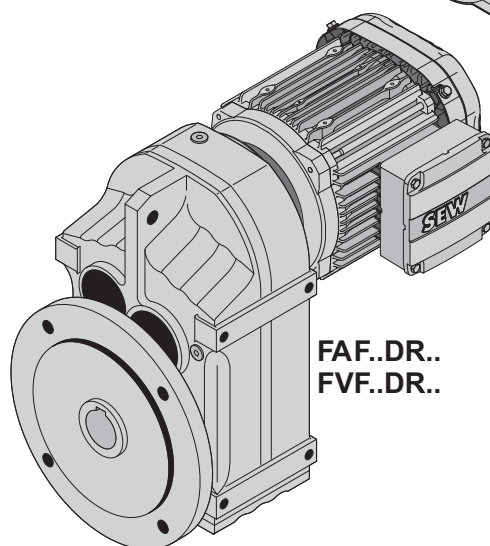
21933480/EN-US – 04/2018



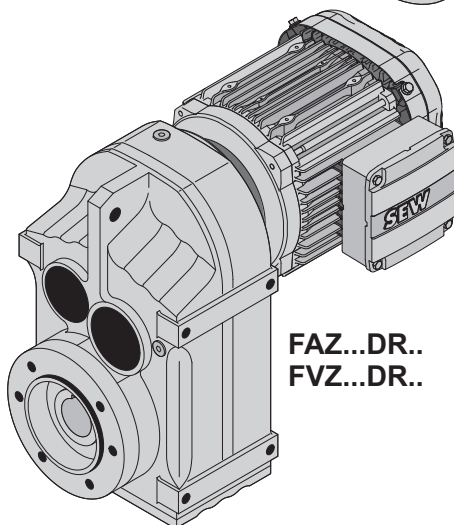
FA..DR..  
FV..DR..



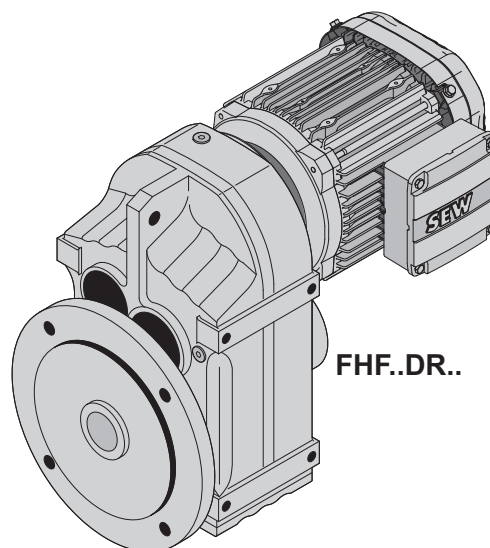
FH..DR..



FAF..DR..  
FVF..DR..



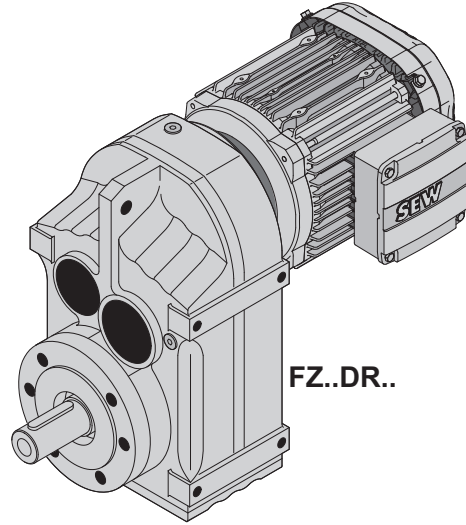
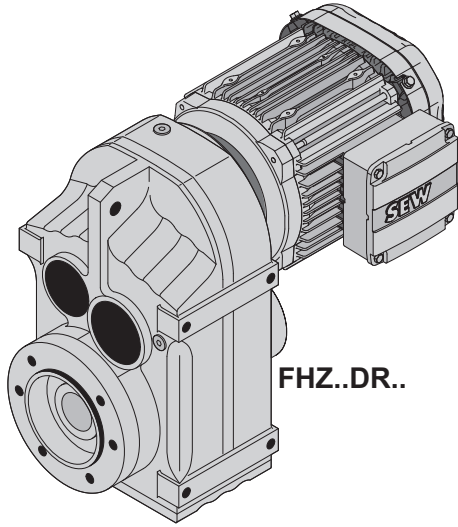
FAZ...DR..  
FVZ...DR..



FHF..DR..



21933480/EN-US - 04/2018



13467470603









9007212722420875



9.2 F.. DRS/DRN.. Possible combinations

F27, n <sub>e</sub> =1700 rpm					1150 lb-in			
n <sub>a</sub> rpm	T <sub>aMax</sub> lb-in	F <sub>Ra</sub> lb	φ <sub>(/R)</sub> °	i	DR63S DRS71S DRS71M	DRN80M DRN90S	DRN90L	DRN100LM DRN100L
 3								
12	1150	1010	-	140.74				
13	1150	1010	-	129.09				
15	1150	1010	-	109.90				
18	1150	1010	-	94.76				
19	1150	1010	-	88.32				
22	1150	990	-	77.21				
23	1150	960	-	72.37				
27	1150	910	-	63.86				
30	1150	870	-	56.62				
34	1150	820	-	50.19				
36	1150	795	-	46.78				
42	1150	750	-	40.89				
44	1150	730	-	38.33				
50	1150	690	-	33.83				
 2								
58	1150	645	-	29.56				
63	1150	620	-	27.18				
73	1150	575	-	23.25				
84	1150	540	-	20.15				
90	1150	520	-	18.84				
104	1150	485	-	16.28				
123	1150	445	-	13.84				
138	1150	420	-	12.35				
161	1150	385	-	10.55				
172	1150	370	-	9.88				
181	1150	330	-	9.40				
209	1080	315	-	8.13				
246	1000	305	-	6.91				
276	960	295	-	6.17				
323	880	290	-	5.27				
345	840	285	-	4.93				
409	765	280	-	4.16				



F27R17, n <sub>e</sub> =1700 rpm					1150 lb-in			
n <sub>a</sub> rpm	M <sub>amax</sub> lb-in	F <sub>Ra</sub> lb	φ <sub>(/R)</sub> °	i	DR63S DRS71S DRS71M	DRN80M		
 3  3								
0.19	1150	1010	-	8972				
0.22	1150	1010	-	7736				
0.24	1150	1010	-	7211				
0.27	1150	1010	-	6303				
0.31	1150	1010	-	5435				
0.35	1150	1010	-	4855				
0.40	1150	1010	-	4243				
0.46	1150	1010	-	3715				
0.52	1150	1010	-	3247				

21933480/EN-US - 04/2018







F27R17, n <sub>e</sub> =1700 rpm					1150 lb-in	
n <sub>a</sub> rpm	M <sub>amax</sub> lb-in	F <sub>Ra</sub> lb	Φ <sub>(/R)</sub> '	i	DR63S DRS71S DRS71M	DRN80M
0.59	1150	1010	-	2878		
0.68	1150	1010	-	2515		
0.77	1150	1010	-	2217		
 2  3						
0.90	1150	1010	-	1898		
1.0	1150	1010	-	1645		
1.1	1150	1010	-	1525		
1.3	1150	1010	-	1322		
1.5	1150	1010	-	1146		
1.7	1150	1010	-	1013		
1.9	1150	1010	-	890		
2.2	1150	1010	-	778		
2.5	1150	1010	-	682		
2.8	1150	1010	-	602		
3.3	1150	1010	-	520		
 3  2						
0.87	1150	1010	-	1948		
0.93	1150	1010	-	1826		
1.1	1150	1010	-	1610		
1.2	1150	1010	-	1399		
1.4	1150	1010	-	1230		
1.8	1150	1010	-	948		
2.1	1150	1010	-	829		
2.3	1150	1010	-	731		
2.7	1150	1010	-	633		
3.1	1150	1010	-	551*		
3.5	1150	1010	-	489		
4.0	1150	1010	-	427		
4.5	1150	1010	-	379		
5.2	1150	1010	-	326		
5.9	1150	1010	-	288		
6.8	1150	1010	-	251		
7.7	1150	1010	-	221		
9.9	1150	1010	-	172		
11	1150	1010	-	153		
13	1150	1010	-	130		
 2  2						
3.7	1150	1010	-	458		
4.3	1150	1010	-	397		
5.0	1150	1010	-	342		
5.6	1150	1010	-	302		
6.4	1150	1010	-	266		
7.2	1150	1010	-	236		
8.1	1150	1010	-	211		
9.1	1150	1010	-	186		
12	1150	1010	-	142		
14	1150	1010	-	124		
16	1150	1010	-	109		
18	1150	1010	-	96		

F37, n <sub>e</sub> =1700 rpm					1760 lb-in			
n <sub>a</sub> rpm	T <sub>aMax</sub> lb-in	F <sub>Ra</sub> lb	φ <sub>(/R)</sub> '	i	DR63S DRS71S DRS71M	DRN80M DRN90S	DRN90L	DRN100LM DRN100L
 3								
13	1760	960	6.8	128.51				
14	1760	960	6.8	117.88				
17	1760	960	6.8	100.36				
20	1760	960	6.8	86.53				
21	1760	960	6.8	80.65				
24	1760	960	6.9	70.50				
26	1760	960	6.9	66.09				
29	1760	960	6.9	58.32				
31	1760	960	7.5	54.54				
33	1760	960	6.9	51.70				
36	1760	960	7.6	47.02				
39	1760	960	7.6	43.83				
44	1760	960	7.7	38.31				
47	1760	930	7.7	35.91				
54	1760	880	7.7	31.69				
61	1760	830	7.8	28.09				
71	1760	770	7.8	23.88				
 2								
72	1760	765	6.1	23.63				
83	1760	715	6.2	20.57				
88	1760	690	6.2	19.27				
100	1760	645	6.4	17.03				
108	1760	625	6.4	15.81				
119	1760	590	6.5	14.33				
132	1760	555	6.6	12.87				
153	1680	530	6.7	11.08				
163	1630	520	6.8	10.42				
190	1540	500	6.9	8.97				
212	1500	475	7.4	8.01				
228	1280	475	9.9	7.44				
252	1230	460	10	6.74				
281	1190	445	10.2	6.05				
326	1100	430	10.5	5.21				
347	1060	425	10.6	4.90				
403	970	415	10.9	4.22				
451	920	400	11.9	3.77				

9

F37R17, n <sub>e</sub> =1700 rpm					1760 lb-in			
n <sub>a</sub> rpm	T <sub>aMax</sub> lb-in	F <sub>Ra</sub> lb	φ <sub>(/R)</sub> '	i	DR63S DRS71S DRS71M	DRN80M		
 3  3								
0.21	1760	960	-	8193				
0.24	1760	960	-	7064				
0.26	1760	960	-	6585				
0.30	1760	960	-	5756				
0.34	1760	960	-	4963				
0.38	1760	960	-	4434				
0.44	1760	960	-	3875				

21933480/EN-US - 04/2018

F37R17, n <sub>e</sub> =1700 rpm					1760 lb-in	
n <sub>a</sub> rpm	T <sub>aMax</sub> lb-in	F <sub>Ra</sub> lb	Φ <sub>(/R)</sub> '	i	DR63S DRS71S DRS71M	DRN80M
0.50	1760	960	-	3392		
0.57	1760	960	-	2965		
0.66	1760	960	-	2587		
0.74	1760	960	-	2284		
0.85	1760	960	-	1997		
0.98	1760	960	-	1742		
1.1	1760	960	-	1545		
 2  3						
0.88	1760	960	-	1929		
1.0	1760	960	-	1679		
1.1	1760	960	-	1550		
1.3	1760	960	-	1356		
1.4	1760	960	-	1180		
1.6	1760	960	-	1044		
1.9	1760	960	-	914		
2.1	1760	960	-	808		
2.4	1760	960	-	698		
2.8	1760	960	-	616		
3.1	1760	960	-	544		
3.6	1760	960	-	466		
4.1	1760	960	-	411		
4.7	1760	960	-	364		
 3  2						
1.2	1760	960	-	1370		
1.4	1760	960	-	1198		
1.6	1760	960	-	1047		
1.9	1760	960	-	915		
2.1	1760	960	-	807		
2.4	1760	960	-	707		
2.8	1760	960	-	617		
3.2	1760	960	-	538		
3.6	1760	960	-	477		
4.1	1760	960	-	412		
4.7	1760	960	-	365		
5.3	1760	960	-	322		
6.1	1760	960	-	278		
7.0	1760	960	-	242		
7.7	1760	960	-	221		
8.7	1760	960	-	195		
10	1760	960	-	168		
12	1760	960	-	147		
13	1760	960	-	127		
14	1760	960	-	121		
16	1760	960	-	108		
19	1760	960	-	91		
 2  2						
5.2	1760	960	-	326		
6.0	1760	960	-	285		
6.8	1760	960	-	250		

**F37R17, n<sub>e</sub>=1700 rpm**



**1760 lb-in**

n <sub>a</sub> rpm	T <sub>aMax</sub> lb-in	F <sub>Ra</sub> lb	φ <sub>(/R)</sub> °	i	DR63S DRS71S DRS71M	DRN80M
7.8	1760	960	-	219		
9.1	1760	960	-	186		
10	1760	960	-	167		
12	1760	960	-	145		
13	1760	960	-	129		
14	1760	960	-	118		
17	1760	960	-	98		
20	1760	960	-	87		

9

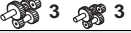





**F47, n<sub>e</sub>=1700 rpm**



**3530 lb-in**

n <sub>a</sub> rpm	T <sub>aMax</sub> lb-in	F <sub>Ra</sub> lb	φ <sub>(/R)</sub> °	i	DR63S DRS71S DRS71M	DRN80M DRN90S	DRN90L	DRN100LM DRN100L
 3								
8.9	3530	1330	6.1	190.76				
9.7	3530	1330	6.2	175.38				
11	3530	1330	6.2	150.06				
13	3530	1330	6.2	130.07				
14	3530	1330	6.2	121.57				
16	3530	1330	6.2	105.09				
19	3530	1330	6.2	89.29				
21	3530	1330	6.2	79.72				
25	3530	1330	6.3	68.09				
26	3530	1330	6.7	65.36				
30	3530	1330	6.8	56.49				
35	3530	1330	6.8	48.00*				
40	3530	1330	6.8	42.86				
46	3530	1330	6.9	36.61				
50	3530	1290	6.9	34.29				
59	3530	1180	7	28.88				
 2								
55	3530	1220	5.7	30.86				
58	3530	1190	5.7	29.32				
66	3530	1110	5.8	25.72				
78	3530	1020	5.9	21.82				
86	3530	970	5.9	19.70				
98	3530	900	6	17.33				
104	3530	870	6	16.36				
122	3530	795	6.1	13.93				
134	3530	750	6.4	12.66				
155	3530	685	6.5	10.97				
190	2910	650	8	8.96				
216	3360	515	8.1	7.88				
228	3360	490	8.2	7.44*				
268	3090	485	8.4	6.34				
295	3000	465	9	5.76				
341	2830	450	9.2	4.99				



21933480/EN-US - 04/2018



F47R17, $n_e=1700$ rpm					3530 lb-in	
$n_a$ rpm	$T_{aMax}$ lb-in	$F_{Ra}$ lb	$\varphi_{(R)}$ '	$i$	DR63S DRS71S DRS71M	DRN80M
 3 						
0.14	3530	1330	-	12251		
0.16	3530	1330	-	10619		
0.17	3530	1330	-	9846		
0.20	3530	1330	-	8534		
0.23	3530	1330	-	7460		
0.26	3530	1330	-	6536		
0.30	3530	1330	-	5746		
0.34	3530	1330	-	5022		
0.39	3530	1330	-	4401		
0.44	3530	1330	-	3883		
0.49	3530	1330	-	3443		
0.57	3530	1330	-	2976		
0.65	3530	1330	-	2629		
0.74	3530	1330	-	2304		
0.84	3530	1330	-	2033		
 2 						
0.67	3530	1330	-	2519		
0.71	3530	1330	-	2394		
0.78	3530	1330	-	2172		
0.84	3530	1330	-	2025		
0.96	3530	1330	-	1770		
1.1	3530	1330	-	1576		
1.2	3530	1330	-	1363		
1.4	3530	1330	-	1192		
1.6	3530	1330	-	1061		
1.8	3530	1330	-	931		
2.1	3530	1330	-	822		
2.4	3530	1330	-	706		
2.7	3530	1330	-	619		
 3 						
0.95	3530	1330	-	1785		
1.1	3530	1330	-	1578		
1.2	3530	1330	-	1364		
1.4	3530	1330	-	1203		
1.6	3530	1330	-	1049		
1.9	3530	1330	-	918		
2.1	3530	1330	-	809		
2.4	3530	1330	-	700		
2.7	3530	1330	-	622		
3.1	3530	1330	-	543		
3.6	3530	1330	-	475		
4.1	3530	1330	-	419		
4.6	3530	1330	-	370		
5.2	3530	1330	-	324		
5.9	3530	1330	-	288		
6.8	3530	1330	-	249		
7.8	3530	1330	-	218		
8.8	3530	1330	-	193		

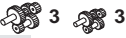
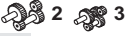
F47R17, n <sub>e</sub> =1700 rpm					3530 lb-in	
n <sub>a</sub> rpm	T <sub>aMax</sub> lb-in	F <sub>Ra</sub> lb	φ <sub>(/R)</sub> '	i	DR63S DRS71S DRS71M	DRN80M
9.7	3530	1330	-	175		
12	3530	1330	-	147		
13	3530	1330	-	130		
 2  2						
3.2	3530	1330	-	524		
3.5	3530	1330	-	489		
4.0	3530	1330	-	427		
4.5	3530	1330	-	381		
5.1	3530	1330	-	334		
5.8	3530	1330	-	295		
6.7	3530	1330	-	253		
7.8	3530	1330	-	217		
8.9	3530	1330	-	190		
9.6	3530	1330	-	178		
11	3530	1330	-	149		
13	3530	1330	-	131		

9

F57, n <sub>e</sub> =1700 rpm					5300 lb-in					
n <sub>a</sub> rpm	T <sub>aMax</sub> lb-in	F <sub>Ra</sub> lb	φ <sub>(/R)</sub> '	i	DR63S DRS71S DRS71M	DRN80M DRN90S	DRN90L	DRN100LM DRN100L	DRN112M	DRN132S DRN132M
 3										
8.5	5300	2070	6	199.70						
9.3	5300	2070	6.1	183.60						
11	5300	2070	6.1	157.09						
12	5300	2070	6.1	136.16						
13	5300	2070	6.1	127.27						
15	5300	2070	6.1	110.01						
18	5300	2070	6.1	93.47						
20	5300	2070	6.1	83.46						
23	5300	2070	6.5	72.98						
25	5300	2070	6.5	68.22						
29	5300	2070	6.5	58.97						
34	5300	1980	6.6	50.10						
38	5300	1880	6.6	44.73						
44	5300	1740	6.6	38.21						
47	5300	1690	6.6	35.79						
56	5220	1560	6.7	30.15						
 2										
42	2560	2200	5.7	40.13						
50	4420	1780	5.7	34.24						
57	4820	1620	5.6	29.94						
60	4730	1590	5.7	28.45						
68	5080	1440	5.8	24.96						
80	5300	1290	5.8	21.17						
89	5300	1220	5.9	19.11						
101	5300	1130	5.9	16.81						
107	5300	1100	6	15.88						
126	5300	1000	6.1	13.52						
138	5300	940	6.3	12.29						





21933480/EN-US - 04/2018

F57, $n_e=1700$ rpm					5300 lb-in					
$n_a$ rpm	$T_{aMax}$ lb-in	$F_{Ra}$ lb	$\Phi_{(R)}$ '	$i$	DR63S DRS71S DRS71M	DRN80M DRN90S	DRN90L	DRN100LM DRN100L	DRN112M	DRN132S DRN132M
160	5300	860	6.4	10.64						
183	3710	960	7.6	9.31						
208	3710	900	7.8	8.19						
220	3710	870	7.8	7.73						
258	3710	790	8	6.58						
284	3710	745	8.6	5.98						
328	3670	690	8.8	5.18						

F57R37, $n_e=1700$ rpm					5300 lb-in				
$n_a$ rpm	$T_{aMax}$ lb-in	$F_{Ra}$ lb	$\Phi_{(R)}$ '	$i$	DR63S DRS71S DRS71M	DRN80M DRN90S	DRN90L	DRN100LM DRN100L	DRN100L
									
0.11	5300	2070	-	14832					
0.12	5300	2070	-	13604					
0.13	5300	2070	-	12602					
0.15	5300	2070	-	11252					
0.17	5300	2070	-	9986					
0.19	5300	2070	-	8787					
0.21	5300	2070	-	7908					
0.25	5300	2070	-	6913					
0.28	5300	2070	-	6030					
0.32	5300	2070	-	5289					
0.37	5300	2070	-	4654					
0.42	5300	2070	-	4060					
0.48	5300	2070	-	3564					
0.54	5300	2070	-	3161					
0.62	5300	2070	-	2737					
0.71	5300	2070	-	2409					
0.80	5300	2070	-	2131					
0.92	5300	2070	-	1840					
1.0	5300	2070	-	1623					
1.2	5300	2070	-	1439					
1.4	5300	2070	-	1238					
									
0.60	5300	2070	-	2854					
0.66	5300	2070	-	2576					
0.75	5300	2070	-	2266					
0.84	5300	2070	-	2012					
0.95	5300	2070	-	1791					
1.1	5300	2070	-	1617					
1.2	5300	2070	-	1422					
1.4	5300	2070	-	1243					
1.6	5300	2070	-	1066					
1.8	5300	2070	-	949					
2.0	5300	2070	-	856					
2.3	5300	2070	-	749					
2.6	5300	2070	-	658					
3.1	5300	2070	-	549					
3.5	5300	2070	-	483					

**F57R37, n<sub>e</sub>=1700 rpm**


**5300 lb-in**

n <sub>a</sub> rpm	T <sub>aMax</sub> lb-in	F <sub>Ra</sub> lb	φ <sub>(/R)</sub> '	i	DR63S DRS71S DRS71M	DRN80M DRN90S	DRN90L	DRN100LM DRN100L
 3 								
1.5	5300	2070	-	1106				
1.8	5300	2070	-	967				
2.0	5300	2070	-	851				
2.3	5300	2070	-	738				
2.6	5300	2070	-	646				
3.0	5300	2070	-	558				
3.4	5300	2070	-	506				
3.8	5300	2070	-	452				
4.4	5300	2070	-	386				
5.0	5300	2070	-	338				
6.7	5300	2070	-	255				
8.5	5300	2070	-	201				
9.4	5300	2070	-	181				
11	5300	2070	-	155				
 2 								
4.0	5300	2070	-	426				
4.5	5300	2070	-	382				
5.2	5300	2070	-	330				
5.7	5300	2070	-	298				
6.5	5300	2070	-	262				
7.5	5300	2070	-	226				
8.5	5300	2070	-	200				
10	5300	2070	-	170				
11	5300	2070	-	152				
13	5300	2070	-	134				


9





**F67, n<sub>e</sub>=1700 rpm**





**7250 lb-in**


n <sub>a</sub> rpm	T <sub>aMax</sub> lb-in	F <sub>Ra</sub> lb	φ <sub>(/R)</sub> '	i	DR63S DRS71S DRS71M	DRN80M DRN90S	DRN90L	DRN100LM DRN100L	DRN112M	DRN132S DRN132M
 3										
7.4	7250	2320	5.7	228.99						
8.7	7250	2320	5.8	195.39						
10.0	7250	2320	5.7	170.85						
10	7250	2320	5.7	162.31						
12	7250	2320	5.8	142.40						
14	7250	2320	5.8	120.79						
16	7250	2320	5.8	109.04						
18	7250	2320	5.8	95.94						
19	7250	2320	5.8	90.59						
21	7250	2320	6.3	79.76						
25	7250	2320	6.3	67.65						
28	7250	2320	6.3	61.07						
32	7250	2320	6.3	53.73						
34	7250	2320	6.3	50.74						
39	7250	2320	6.3	43.20						
43	6900	2390	6.4	39.26						
50	6540	2470	6.5	34.01						

21933480/EN-US - 04/2018


F67, n <sub>e</sub> =1700 rpm					7250 lb-in					
n <sub>a</sub> rpm	T <sub>aMax</sub> lb-in	F <sub>Ra</sub> lb	Φ <sub>(R)</sub> °	i	DR63S DRS71S DRS71M	DRN80M DRN90S	DRN90L	DRN100LM DRN100L	DRN112M	DRN132S DRN132M
 2										
47	7250	2320	5.3	36.30						
53	7250	2320	5.4	32.08						
62	7250	2320	5.4	27.41						
68	7250	2320	5.4	25.13						
77	7250	2320	5.5	22.05						
81	7250	2320	5.5	20.90*						
93	7250	2320	5.6	18.29						
103	7250	2320	5.8	16.48						
118	7250	2320	5.7	14.46						
133	7250	2320	5.8	12.76						
150	7250	2320	6	11.31						
176	7250	2240	6.1	9.66						
187	4680	2370	8	9.08						
198	5040	2270	8.1	8.60						
226	5390	2100	8.2	7.53						
251	5480	2000	8.7	6.78						
286	5390	1910	8.6	5.95						
324	5220	1830	8.8	5.25						
365	4950	1780	9.3	4.66						
428	4420	1740	9.6	3.97						



F67R37, n <sub>e</sub> =1700 rpm					7250 lb-in					
n <sub>a</sub> rpm	T <sub>aMax</sub> lb-in	F <sub>Ra</sub> lb	Φ <sub>(R)</sub> °	i	DR63S DRS71S DRS71M	DRN80M DRN90S	DRN90L	DRN100LM DRN100L	DRN112M	DRN132S DRN132M
 3  3										
0.09	7250	2320	-	19199						
0.10	7250	2320	-	17610						
0.11	7250	2320	-	14992						
0.13	7250	2320	-	12926						
0.15	7250	2320	-	11480						
0.17	7250	2320	-	10220						
0.19	7250	2320	-	8933						
0.21	7250	2320	-	7940						
0.24	7250	2320	-	7096						
0.28	7250	2320	-	6080						
0.32	7250	2320	-	5341						
0.36	7250	2320	-	4690						
0.42	7250	2320	-	4091						
0.48	7250	2320	-	3574						
0.54	7250	2320	-	3133						
0.62	7250	2320	-	2756						
0.70	7250	2320	-	2439						
 2  3										
0.50	7250	2320	-	3377						
0.58	7250	2320	-	2912						
0.63	7250	2320	-	2714						
0.72	7250	2320	-	2372						
0.80	7250	2320	-	2126						





F67R37, n <sub>e</sub> =1700 rpm					7250 lb-in			
n <sub>a</sub> rpm	T <sub>aMax</sub> lb-in	F <sub>Ra</sub> lb	φ <sub>(/R)</sub> '	i	DR63S DRS71S DRS71M	DRN80M DRN90S	DRN90L	DRN100LM DRN100L
0.91	7250	2320	-	1859				
1.0	7250	2320	-	1631				
1.2	7250	2320	-	1437				
1.4	7250	2320	-	1256				
1.5	7250	2320	-	1126				
1.7	7250	2320	-	984				
2.0	7250	2320	-	864				
2.4	7250	2320	-	722				
2.7	7250	2320	-	634				
3.2	7250	2320	-	539				
 3  2								
0.81	7250	2320	-	2106				
0.90	7250	2320	-	1884				
1.0	7250	2320	-	1635				
1.2	7250	2320	-	1429				
1.3	7250	2320	-	1271				
1.5	7250	2320	-	1102				
1.8	7250	2320	-	970				
2.0	7250	2320	-	858				
2.3	7250	2320	-	755				
2.7	7250	2320	-	641				
3.0	7250	2320	-	572				
3.3	7250	2320	-	509				
3.9	7250	2320	-	437				
4.4	7250	2320	-	384				
5.0	7250	2320	-	338				
5.6	7250	2320	-	305				
6.6	7250	2320	-	257				
7.4	7250	2320	-	231				
8.3	7250	2320	-	205				
9.7	7250	2320	-	175				
 2  2								
3.4	7250	2320	-	500				
3.7	7250	2320	-	454				
4.3	7250	2320	-	392				
5.1	7250	2320	-	333				
5.7	7250	2320	-	297				
6.5	7250	2320	-	261				
7.1	7250	2320	-	238				
8.5	7250	2320	-	200				
9.7	7250	2320	-	176				

F77, n <sub>e</sub> =1700 rpm					13200 lb-in						
n <sub>a</sub> rpm	T <sub>aMax</sub> lb-in	F <sub>Ra</sub> lb	φ <sub>(/R)</sub> '	i	DR63S DRS71S DRS71M	DRN80M DRN90S	DRN90L	DRN100LM DRN100L	DRN112M	DRN132S DRN132M	DRN132L DRN160M DRN160L
 3											
6.0	13200	3530	5.4	281.71							
6.5	13200	3530	5.4	262.93							
7.5	13200	3530	5.4	225.79							

21933480/EN-US - 04/2018

F77, n <sub>e</sub> =1700 rpm					13200 lb-in						
n <sub>a</sub> rpm	T <sub>aMax</sub> lb-in	F <sub>Ra</sub> lb	Φ <sub>(R)</sub> °	i	DR63S DRS71S DRS71M	DRN80M DRN90S	DRN90L	DRN100LM DRN100L	DRN112M	DRN132S DRN132M	DRN132L DRN160M DRN160L
8.6	13200	3530	5.4	198.31							
9.0	13200	3530	5.4	188.40							
10	13200	3530	5.5	166.47							
12	13200	3530	5.5	142.27							
13	13200	3530	5.5	130.42							
15	13200	3530	5.5	114.45							
16	13200	3530	5.5	108.46*							
18	13200	3530	5.5	94.93							
20	13200	3530	5.5	85.52							
23	13200	3530	5.5	75.02							
23	13200	3530	5.9	72.50							
26	13200	3530	5.9	66.46							
29	13200	3530	6	58.32							
31	13200	3530	6	55.27							
35	13200	3530	6	48.37							
39	13200	3530	6.1	43.58							
44	13200	3530	6	38.23							
50	13200	3530	6.1	33.74							
57	13200	3530	6.1	29.91							
67	12800	3610	6.2	25.54							
 2											
46	9820	4010	4.9	36.58							
54	12200	3700	4.9	31.51							
59	12600	3640	4.9	28.75							
67	13200	3530	4.9	25.50*							
79	13200	3530	5	21.43							
86	13200	3530	5.1	19.70							
97	13200	3530	5.2	17.49							
109	13200	3420	5.2	15.64*							
121	13200	3280	5.4	14.06							
139	13200	3090	5.4	12.20							
156	13200	2950	5.5	10.93							
183	9550	2860	7.1	9.30							
206	9550	2720	7.1	8.26							
230	9550	2590	7.2	7.39							
256	9550	2470	7.5	6.64							
295	9550	2320	7.7	5.76							
329	9550	2210	7.8	5.16							
397	8930	2100	8.1	4.28							

F77R37, n <sub>e</sub> =1700 rpm					13200 lb-in			
n <sub>a</sub> rpm	T <sub>aMax</sub> lb-in	F <sub>Ra</sub> lb	Φ <sub>(R)</sub> °	i	DR63S DRS71S DRS71M	DRN80M DRN90S	DRN90L	DRN100LM DRN100L
 3  3								
0.09	13200	3530	-	19180				
0.10	13200	3530	-	17593				
0.11	13200	3530	-	16128				
0.11	13200	3530	-	14978				
0.12	13200	3530	-	13731				

F77R37, n <sub>e</sub> =1700 rpm					13200 lb-in			
n <sub>a</sub> rpm	T <sub>aMax</sub> lb-in	F <sub>Ra</sub> lb	φ <sub>(/R)</sub> '	i	DR63S DRS71S DRS71M	DRN80M DRN90S	DRN90L	DRN100LM DRN100L
0.14	13200	3530	-	12049				
0.15	13200	3530	-	11035				
0.18	13200	3530	-	9683				
0.20	13200	3530	-	8464				
0.23	13200	3530	-	7520				
0.26	13200	3530	-	6580				
0.29	13200	3530	-	5808				
0.34	13200	3530	-	5026				
0.38	13200	3530	-	4435				
0.44	13200	3530	-	3832				
0.50	13200	3530	-	3381				
0.57	13200	3530	-	2978				
0.65	13200	3530	-	2613				
0.74	13200	3530	-	2284				
0.84	13200	3530	-	2029				
 2 								
0.34	9820	4010	-	4931				
0.38	9820	4010	-	4523				
0.44	9820	4010	-	3851				
0.51	9820	4010	-	3320				
0.55	9820	4010	-	3095				
0.63	9820	4010	-	2705				
0.67	9820	4010	-	2536				
0.76	9820	4010	-	2238				
0.83	9820	4010	-	2039				
0.97	9820	4010	-	1759				
1.0	9820	4010	-	1639				
1.2	9820	4010	-	1433				
1.3	9820	4010	-	1343				
1.4	9820	4010	-	1185				
1.6	9820	4010	-	1051				
1.9	9820	4010	-	893				
 3 								
0.98	13200	3530	-	1728				
1.1	13200	3530	-	1544				
1.3	13200	3530	-	1354				
1.4	13200	3530	-	1200				
1.6	13200	3530	-	1053				
1.9	13200	3530	-	910				
2.1	13200	3530	-	810				
2.4	13200	3530	-	710				
2.8	13200	3530	-	615*				
3.2	13200	3530	-	538				
3.5	13200	3530	-	480				
4.1	13200	3530	-	413				
4.6	13200	3530	-	367				
5.3	13200	3530	-	323				
6.1	13200	3530	-	280				
6.9	13200	3530	-	247				
7.7	13200	3530	-	221				

21933480/EN-US - 04/2018







9





F77R37, n <sub>e</sub> =1700 rpm					13200 lb-in			
n <sub>a</sub> rpm	T <sub>aMax</sub> lb-in	F <sub>Ra</sub> lb	Φ <sub>(R)</sub> °	i	DR63S DRS71S DRS71M	DRN80M DRN90S	DRN90L	DRN100LM DRN100L
8.5	13200	3530	-	199				
2  2								
2.1	9820	4010	-	815				
2.4	9820	4010	-	706				
2.6	9820	4010	-	660				
3.0	9820	4010	-	571				
3.5	9820	4010	-	485				
3.9	9820	4010	-	433				
4.6	9820	4010	-	370				
4.9	9820	4010	-	346				
5.8	9820	4010	-	292				


F87, n <sub>e</sub> =1700 rpm					26500 lb-in								
n <sub>a</sub> rpm	T <sub>aMax</sub> lb-in	F <sub>Ra</sub> lb	Φ <sub>(R)</sub> °	i	DRS71M	DRN80M DRN90S	DRN90L	DRN100LM DRN100L	DRN112M	DRN132S DRN132M	DRN132L DRN160M DRN160L	DRN180M DRN180L	DRN200L
3													
6.3	26500	4450	7	270.68									
6.7	26500	4450	7	255.37									
7.4	26500	4450	7	228.93									
8.6	26500	4450	7	197.20									
9.4	26500	4450	7	179.97									
11	26500	4450	7	159.61									
13	26500	4450	7	134.16									
14	26500	4450	7	123.29									
16	26500	4450	7.1	109.49									
17	26500	4450	7.1	97.89									
19	26500	4450	7.1	88.01									
22	26500	4200	7.1	76.39									
25	26500	3960	7.1	68.40									
30	26500	3560	7.1	56.75									
34	26000	3370	7.5	50.36									
38	24900	3270	7.5	45.28									
43	24000	3090	7.5	39.30									
48	23000	2990	7.6	35.19									
58	22200	2760	7.6	29.20									
2													
50	23000	2930	6.6	33.92									
59	21600	2790	6.6	28.78									
64	26500	2180	6.8	26.50									
72	26500	2000	6.8	23.68									
80	26500	1840	6.8	21.32*									
88	26500	1700	6.9	19.31									
99	26500	1530	6.9	17.12									
110	26500	1390	7	15.48									
130	26500	1180	7	13.12*									
148	26500	1010	7.1	11.46									
177	25400	910	7.2	9.58									
205	13500	1780	6.7	8.29									
231	13500	1650	6.8	7.35									


F87, n <sub>e</sub> =1700 rpm					26500 lb-in								
n <sub>a</sub> rpm	T <sub>aMax</sub> lb-in	F <sub>Ra</sub> lb	φ <sub>(/R)</sub> °	i	DRS71M	DRN80M DRN90S	DRN90L	DRN100LM DRN100L	DRN112M	DRN132S DRN132M	DRN132L DRN160M DRN160L	DRN180M DRN180L	DRN200L
256	13500	1550	6.8	6.65									
302	13500	1390	7	5.63									
346	13500	1260	7.1	4.92									
413	12900	1170	7.4	4.12									

F87R57, n <sub>e</sub> =1700 rpm					26500 lb-in					
n <sub>a</sub> rpm	T <sub>aMax</sub> lb-in	F <sub>Ra</sub> lb	φ <sub>(/R)</sub> °	i	DR63S DRS71S DRS71M	DRN80M DRN90S	DRN90L	DRN100LM DRN100L	DRN112M	DRN132S DRN132M
 3 										
0.07	26500	4450	-	23042						
0.08	26500	4450	-	20462						
0.09	26500	4450	-	18238						
0.11	26500	4450	-	15877						
0.12	26500	4450	-	14099						
0.14	26500	4450	-	12205						
0.16	26500	4450	-	10433						
0.18	26500	4450	-	9381						
0.21	26500	4450	-	8142						
0.24	26500	4450	-	7100						
0.27	26500	4450	-	6273						
0.31	26500	4450	-	5510						
0.34	26500	4450	-	4954						
0.40	26500	4450	-	4245						
0.46	26500	4450	-	3721						
 2 										
0.34	26500	4450	-	4952						
0.37	26500	4450	-	4562						
0.43	26500	4450	-	3919						
0.49	26500	4450	-	3503						
0.53	26500	4450	-	3196						
0.60	26500	4450	-	2857						
0.67	26500	4450	-	2524						
0.80	26500	4450	-	2134						
0.89	26500	4450	-	1913*						
0.99	26500	4450	-	1717						
1.2	26500	4450	-	1476						
1.3	26500	4450	-	1278						
1.5	26500	4450	-	1142						
1.7	26500	4450	-	988						
1.9	26500	4450	-	883						
2.3	26500	4450	-	748						
 3 										
0.52	26500	4450	-	3244						
0.59	26500	4450	-	2881						
0.66	26500	4450	-	2576						
0.77	26500	4450	-	2199						
0.88	26500	4450	-	1930						
0.99	26500	4450	-	1709						
1.1	26500	4450	-	1493						





21933480/EN-US - 04/2018

F87R57, n <sub>e</sub> =1700 rpm					26500 lb-in					
n <sub>a</sub> rpm	T <sub>aMax</sub> lb-in	F <sub>Ra</sub> lb	φ <sub>(R)</sub> °	i	DR63S DRS71S DRS71M	DRN80M DRN90S	DRN90L	DRN100LM DRN100L	DRN112M	DRN132S DRN132M
1.3	26500	4450	-	1300						
1.5	26500	4450	-	1148						
1.7	26500	4450	-	1010						
1.9	26500	4450	-	887						
2.2	26500	4450	-	780						
2.5	26500	4450	-	674						
2.8	26500	4450	-	609						
3.3	26500	4450	-	515						
3.8	26500	4450	-	452						
4.9	26500	4450	-	345						
5.7	26500	4450	-	300						
6.8	26500	4450	-	249						
 2  2										
2.6	26500	4450	-	662						
2.9	26500	4450	-	592						
3.3	26500	4450	-	519						
3.6	26500	4450	-	468						
4.3	26500	4450	-	398						
4.9	26500	4450	-	350						
5.4	26500	4450	-	315*						
6.0	26500	4450	-	281						
7.1	26500	4450	-	240						
8.1	26500	4450	-	211						
8.8	26500	4450	-	193						





F97, n <sub>e</sub> =1700 rpm					38000 lb-in							
n <sub>a</sub> rpm	T <sub>aMax</sub> lb-in	F <sub>Ra</sub> lb	φ <sub>(R)</sub> °	i	DRN80M DRN90S	DRN90L	DRN100LM DRN100L	DRN112M	DRN132S DRN132M	DRN132L DRN160M DRN160L	DRN180M DRN180L	DRN200L DRN225S
 3												
6.1	38000	6720	6	276.77								
6.7	38000	6720	6	253.41								
7.6	38000	6720	6	223.88								
9.0	38000	6720	6	189.92								
9.7	38000	6720	6	174.87								
11	38000	6720	6	156.30								
12	38000	6720	6	140.71								
13	38000	6720	6	127.42								
15	38000	6720	6	112.99								
17	38000	6720	6	102.16								
17	38000	6720	6.2	97.58								
19	38000	6720	6.3	89.85								
20	38000	6720	6	86.59								
21	38000	6540	6.3	80.31								
22	38000	6350	6	75.63								
24	38000	6200	6.3	72.29								
26	38000	5890	6.3	65.47								
29	38000	5520	6.3	58.06								
32	38000	5230	6.3	52.49								
38	38000	4770	6.4	44.49								



F97, n <sub>e</sub> =1700 rpm					38000 lb-in							
n <sub>a</sub> rpm	T <sub>aMax</sub> lb-in	F <sub>Ra</sub> lb	Φ <sub>(/R)</sub> °	i	DRN80M DRN90S	DRN90L	DRN100LM DRN100L	DRN112M	DRN132S DRN132M	DRN132L DRN160M DRN160L	DRN180M DRN180L	DRN200L DRN225S
44	38000	4410	6.4	38.86								
52	38000	3960	6.4	32.50								
 2												
39	27100	5660	5.6	43.28								
46	27100	5230	5.6	36.64								
50	38000	4060	5.7	33.91								
56	38000	3800	5.8	30.39								
62	38000	3550	5.8	27.44*								
68	38000	3340	5.8	24.92								
77	38000	3070	5.9	22.11								
85	38000	2870	5.8	20.07								
99	38000	2560	5.9	17.25*								
113	38000	2300	5.9	15.06								
133	38000	1990	6	12.77								
152	36200	1910	6	11.16								
188	20800	2680	8.6	9.06								
207	20800	2530	8.5	8.22								
240	20800	2300	8.6	7.07								
276	19900	2200	8.7	6.17								
325	19000	2070	8.8	5.23								
372	18100	1980	9	4.57								
439	15900	2000	9	3.87								



9

F97R57, n <sub>e</sub> =1700 rpm					38000 lb-in					
n <sub>a</sub> rpm	T <sub>aMax</sub> lb-in	F <sub>Ra</sub> lb	Φ <sub>(/R)</sub> °	i	DR63S DRS71S DRS71M	DRN80M DRN90S	DRN90L	DRN100LM DRN100L	DRN112M	DRN132S DRN132M
 3  3										
0.06	38000	6720	-	29211						
0.06	38000	6720	-	26911						
0.07	38000	6720	-	23814						
0.08	38000	6720	-	20813						
0.09	38000	6720	-	18119*						
0.11	38000	6720	-	15472						
0.12	38000	6720	-	14022						
0.14	38000	6720	-	12324						
0.16	38000	6720	-	10838						
0.18	38000	6720	-	9576						
0.20	38000	6720	-	8318						
0.23	38000	6720	-	7328						
0.26	38000	6720	-	6469						
0.30	38000	6720	-	5615						
0.34	38000	6720	-	4961*						
0.39	38000	6720	-	4333*						
 2  3										
0.27	38000	6720	-	6338						
0.30	38000	6720	-	5680						
0.34	38000	6720	-	5016						
0.39	38000	6720	-	4367						
0.43	38000	6720	-	3914						





21933480/EN-US - 04/2018

F97R57, n <sub>e</sub> =1700 rpm					38000 lb-in					
n <sub>a</sub> rpm	T <sub>aMax</sub> lb-in	F <sub>Ra</sub> lb	φ <sub>(R)</sub> '	i	DR63S DRS71S DRS71M	DRN80M DRN90S	DRN90L	DRN100LM DRN100L	DRN112M	DRN132S DRN132M
0.51	38000	6720	-	3357						
0.56	38000	6720	-	3009						
0.69	38000	6720	-	2448						
0.77	38000	6720	-	2199						
0.86	38000	6720	-	1971						
0.98	38000	6720	-	1741*						
1.2	38000	6720	-	1468						
1.3	38000	6720	-	1316						
1.4	38000	6720	-	1189*						
1.7	38000	6720	-	1023						
 3  2										
0.44	38000	6720	-	3906						
0.51	38000	6720	-	3352						
0.58	38000	6720	-	2907						
0.67	38000	6720	-	2553						
0.76	38000	6720	-	2245						
0.86	38000	6720	-	1970						
0.99	38000	6720	-	1722						
1.1	38000	6720	-	1527						
1.3	38000	6720	-	1327						
1.5	38000	6720	-	1171*						
1.7	38000	6720	-	1022						
1.9	38000	6720	-	898						
2.2	38000	6720	-	784						
2.5	38000	6720	-	690						
2.8	38000	6720	-	605						
3.2	38000	6720	-	529						
3.6	38000	6720	-	467						
4.2	38000	6720	-	406						
4.7	38000	6720	-	363						
6.0	38000	6720	-	285						
6.9	38000	6720	-	245						
8.2	38000	6720	-	208						
8.7	38000	6720	-	195						
 2  2										
1.9	38000	6720	-	892						
2.2	38000	6720	-	760						
2.5	38000	6720	-	667						
3.0	38000	6720	-	569						
3.3	38000	6720	-	510						
3.6	38000	6720	-	473*						
4.2	38000	6720	-	403						
4.7	38000	6720	-	361						
5.4	38000	6720	-	317						
6.2	38000	6720	-	275						
7.0	38000	6720	-	242						



F107, n <sub>e</sub> =1700 rpm					69300 lb-in							
n <sub>a</sub> rpm	T <sub>aMax</sub> lb-in	F <sub>Ra</sub> lb	φ <sub>(/R)</sub> °	i	DRN100LM DRN100L	DRN112M	DRN132S DRN132M	DRN132L DRN160M DRN160L	DRN180M DRN180L	DRN200L DRN225S DRN225M	DRN250ME	
 3												
6.7	67900	11200	5.4	254.40*								
7.9	67900	11200	5.4	215.37								
8.5	67900	11200	5.4	199.31								
9.5	67900	11200	5.4	178.64								
11	67900	11200	5.4	161.28*								
12	67900	11200	5.4	146.49								
13	67900	11200	5.4	129.97								
14	67900	11200	5.4	117.94								
17	67900	11200	5.4	101.38*								
18	67900	11200	5.6	92.47*								
19	67900	11200	5.4	88.49								
20	67900	11200	5.7	83.99								
23	67900	11000	5.7	74.52								
25	67900	10600	5.7	67.62								
29	67900	9880	5.7	58.12*								
34	67900	9300	5.7	50.73								
40	67900	8640	5.7	43.03								
45	67900	8110	5.7	37.61								
53	67900	7390	5.8	31.80								
 2												
50	65400	7880	5.1	33.79*								
62	69300	6640	5.2	27.57								
68	69300	6260	5.2	25.14								
78	69300	5670	5.2	21.76*								
89	69300	5170	5.2	19.20*								
103	69300	4600	5.3	16.58								
116	67900	4300	5.3	14.67								
138	61900	4390	5.4	12.33								
171	57500	4180	5.4	9.96								
175	43400	4660	6.7	9.69								
203	42400	4350	6.7	8.37								
230	40700	4220	6.8	7.40								
273	40700	3730	7	6.22								
338	40700	3140	7	5.03								

F107R77, n <sub>e</sub> =1700 rpm					69300 lb-in							
n <sub>a</sub> rpm	T <sub>aMax</sub> lb-in	F <sub>Ra</sub> lb	φ <sub>(/R)</sub> °	i	DR63S DRS71S DRS71M	DRN80M DRN90S	DRN90L	DRN100LM DRN100L	DRN112M	DRN132S DRN132M	DRN132L DRN160M DRN160L	
 3  3												
0.07	67900	11200	-	25375*								
0.08	67900	11200	-	21652								
0.09	67900	11200	-	18933								
0.10	67900	11200	-	16888								
0.12	67900	11200	-	14767								
0.15	67900	11200	-	11348*								
0.17	67900	11200	-	10039								
0.20	67900	11200	-	8548								
0.22	67900	11200	-	7674								



21933480/EN-US - 04/2018

F107R77, n <sub>e</sub> =1700 rpm					69300 lb-in						
n <sub>a</sub> rpm	T <sub>aMax</sub> lb-in	F <sub>Ra</sub> lb	Φ <sub>(R)</sub> °	i	DR63S DRS71S DRS71M	DRN80M DRN90S	DRN90L	DRN100LM DRN100L	DRN112M	DRN132S DRN132M	DRN132L DRN160M DRN160L
0.25	67900	11200	-	6767							
0.29	67900	11200	-	5954							
0.33	67900	11200	-	5223							
0.37	67900	11200	-	4567							
0.43	67900	11200	-	3948							
0.48	67900	11200	-	3521							
 2  3											
0.32	69300	11100	-	5383*							
0.37	69300	11100	-	4593							
0.42	69300	11100	-	4016							
0.45	69300	11100	-	3815							
0.51	69300	11100	-	3347							
0.60	69300	11100	-	2839							
0.66	69300	11100	-	2563*							
0.75	69300	11100	-	2255							
0.80	69300	11100	-	2129							
0.94	69300	11100	-	1813							
1.1	69300	11100	-	1590							
1.2	69300	11100	-	1436							
1.3	69300	11100	-	1263							
1.4	69300	11100	-	1193							
1.7	69300	11100	-	1015							
1.8	69300	11100	-	923							
2.1	69300	11100	-	800							
2.4	69300	11100	-	696							
 3  2											
0.56	67900	11200	-	3037							
0.62	67900	11200	-	2756							
0.72	67900	11200	-	2369							
0.82	67900	11200	-	2068							
0.93	67900	11200	-	1826							
1.1	67900	11200	-	1597							
1.2	67900	11200	-	1401							
1.4	67900	11200	-	1243							
1.6	67900	11200	-	1087							
1.8	67900	11200	-	950							
2.0	67900	11200	-	834							
2.3	67900	11200	-	736							
2.7	67900	11200	-	640							
3.0	67900	11200	-	560							
3.5	67900	11200	-	489							
3.9	67900	11200	-	436							
4.6	67900	11200	-	370							
5.1	67900	11200	-	333							
5.8	67900	11200	-	291							
6.7	67900	11200	-	255							
7.6	67900	11200	-	225*							
8.9	67900	11200	-	190							

**F107R77, n<sub>e</sub>=1700 rpm 69300 lb-in**





n <sub>a</sub> rpm	T <sub>aMax</sub> lb-in	F <sub>Ra</sub> lb	Φ <sub>(/R)</sub> '	i	DR63S DRS71S DRS71M	DRN80M DRN90S	DRN90L	DRN100LM DRN100L	DRN112M	DRN132S DRN132M	DRN132L DRN160M DRN160L
 2  2											
2.6	69300	11100	-	644							
2.9	69300	11100	-	591							
3.3	69300	11100	-	518*							
3.5	69300	11100	-	491							
4.0	69300	11100	-	430							
4.4	69300	11100	-	387							
5.0	69300	11100	-	340							
5.7	69300	11100	-	300							
6.4	69300	11100	-	266							



**F127, n<sub>e</sub>=1700 rpm 106100 lb-in**

n <sub>a</sub> rpm	T <sub>aMax</sub> lb-in	F <sub>Ra</sub> lb	Φ <sub>(/R)</sub> '	i	DRN132S DRN132M	DRN132L DRN160M DRN160L	DRN180M DRN180L	DRN200L DRN225S DRN225M	DRN250ME DRN280S DRN280M
 3									
10.0	106100	20200	4.9	170.83					
11	106100	20200	4.9	153.67*					
14	106100	19000	4.9	125.37					
15	106100	18300	4.9	114.34					
17	106100	17200	4.9	98.95					
19	106100	16400	4.9	87.31*					
23	106100	15400	4.9	75.41*					
24	106100	14900	5.2	70.07					
27	106100	14300	5.2	63.91					
31	106100	13300	5.2	55.31					
35	106100	12500	5.2	48.80					
40	106100	11500	5.2	42.15					
46	106100	10700	5.2	37.28					
54	106100	9660	5.3	31.33					
67	106100	8400	5.3	25.30					
 2									
63	75200	11500	4.6	26.86					
69	75200	11000	4.6	24.57					
80	106100	7440	4.7	21.38					
90	97300	7680	4.7	18.87					
104	97300	6930	4.7	16.36					
117	97300	6340	4.7	14.55					
136	88400	6550	4.8	12.54					
167	84000	6060	4.9	10.19					
192	61900	7490	6.3	8.86					
216	53000	7650	6.4	7.88					
250	61900	6610	6.5	6.80					
308	53000	6540	6.7	5.52					
363	53000	6060	6.8	4.68					



21933480/EN-US - 04/2018





F127R77, n <sub>e</sub> =1700 rpm					106100 lb-in							
n <sub>a</sub> rpm	T <sub>aMax</sub> lb-in	F <sub>Ra</sub> lb	φ <sub>(/R)</sub> '	i	DR63S DRS71S DRS71M	DRN80M DRN90S	DRN90L	DRN100LM DRN100L	DRN112M	DRN132S DRN132M	DRN132L DRN160M DRN160L	
0.07	106100	20200	-	24478*			 3  3					
0.08	106100	20200	-	22323								
0.09	106100	20200	-	19048								
0.10	106100	20200	-	16656								
0.12	106100	20200	-	14722*								
0.13	106100	20200	-	12912								
0.15	106100	20200	-	11656*								
0.17	106100	20200	-	10191								
0.19	106100	20200	-	8831								
0.22	106100	20200	-	7643								
0.25	106100	20200	-	6715								
0.29	106100	20200	-	5925								
0.33	106100	20200	-	5153								
0.38	106100	20200	-	4533								
0.43	106100	20200	-	3926								
0.49	106100	20200	-	3454								
0.56	106100	20200	-	3031								
					 3  2							
0.64	106100	20200	-	2672								
0.72	106100	20200	-	2357*								
0.83	106100	20200	-	2038								
0.95	106100	20200	-	1784								
1.1	106100	20200	-	1606								
1.2	106100	20200	-	1390								
1.4	106100	20200	-	1220								
1.6	106100	20200	-	1077								
1.8	106100	20200	-	930								
2.1	106100	20200	-	820								
2.3	106100	20200	-	727								
2.6	106100	20200	-	648								
3.1	106100	20200	-	549								
3.4	106100	20200	-	495								
4.0	106100	20200	-	428								
4.5	106100	20200	-	376								


F127R87, n <sub>e</sub> =1700 rpm					106100 lb-in							
n <sub>a</sub> rpm	T <sub>aMax</sub> lb-in	F <sub>Ra</sub> lb	φ <sub>(/R)</sub> '	i	DRN80M DRN90S	DRN90L	DRN100LM DRN100L	DRN112M	DRN132S DRN132M	DRN132L DRN160M DRN160L	DRN180M DRN180L	DRN200L
					 3  2							
3.5	106100	20200	-	483								
4.1	106100	20200	-	418								
4.5	106100	20200	-	374								
5.4	106100	20200	-	312								
5.8	106100	20200	-	293								
6.6	106100	20200	-	259								

F127R87, n <sub>e</sub> =1700 rpm					106100 lb-in							
n <sub>a</sub> rpm	T <sub>aMax</sub> lb-in	F <sub>Ra</sub> lb	φ <sub>(/R)</sub> °	i	DRN80M DRN90S	DRN90L	DRN100LM DRN100L	DRN112M	DRN132S DRN132M	DRN132L DRN160M DRN160L	DRN180M DRN180L	DRN200L
7.6	106100	20200	-	223								
8.6	106100	20200	-	198								
10	106100	20200	-	166								

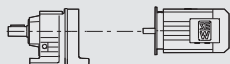

F157, n <sub>e</sub> =1700 rpm					159200 lb-in					
n <sub>a</sub> rpm	T <sub>aMax</sub> lb-in	F <sub>Ra</sub> lb	φ <sub>(/R)</sub> °	i	DRN132L DRN160M DRN160L	DRN180M DRN180L	DRN200L DRN225S DRN225M	DRN250ME DRN280S DRN280M	DRN315S DRN315ME	DRN315L DRN315H
 3										
6.4	159200	22500	4.5	267.43						
7.8	159200	22500	4.5	217.62*						
9.5	159200	22500	4.5	178.20*						
10	159200	22500	4.5	162.96						
12	159200	22500	4.5	141.80*						
14	159200	22500	4.5	125.14						
16	159200	21900	4.5	108.49						
18	159200	20800	4.5	96.53*						
20	159200	19800	4.8	85.80*						
22	159200	19100	4.8	78.46						
25	159200	18000	4.8	68.28*						
28	159200	17000	4.8	60.25						
33	159200	16000	4.8	52.24						
37	159200	15200	4.8	46.48*						
42	159200	14100	4.9	40.06						
52	159200	12800	4.9	32.55						
62	159200	11800	4.9	27.60						
 2										
32	70700	20600	4.3	53.55						
39	88400	18400	4.3	43.94*						
48	97300	16500	4.4	35.75*						
59	150400	12500	4.4	28.60*						
67	132700	12700	4.4	25.43						
77	159200	10500	4.4	22.16						
86	150400	10400	4.4	19.77						
101	159200	9060	4.5	16.85						
122	150400	8570	4.6	13.96						
143	141500	8270	4.6	11.92						

F157R97, n <sub>e</sub> =1700 rpm					159200 lb-in								
n <sub>a</sub> rpm	T <sub>aMax</sub> lb-in	F <sub>Ra</sub> lb	φ <sub>(/R)</sub> °	i	DRS71M	DRN80M DRN90S	DRN90L	DRN100L M DRN100L	DRN112M	DRN132S DRN132M	DRN132L DRN160M DRN160L	DRN180M DRN180L	DRN200L DRN225S
 3  3													
0.05	159200	22500	-	31434									
0.06	159200	22500	-	26173									
0.07	159200	22500	-	23464									
0.08	159200	22500	-	20212									
0.09	159200	22500	-	17984*									
0.10	159200	22500	-	16358									
0.12	159200	22500	-	13751									

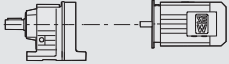

21933480/EN-US - 04/2018

F157R97, n <sub>e</sub> =1700 rpm					159200 lb-in								
n <sub>a</sub> rpm	T <sub>aMax</sub> lb-in	F <sub>Ra</sub> lb	Φ <sub>(/R)</sub> '	i	DRS71M	DRN80M DRN90S	DRN90L	DRN100L M DRN100L	DRN112M	DRN132S DRN132M	DRN132L DRN160M DRN160L	DRN180M DRN180L	DRN200L DRN225S
0.14	159200	22500	-	12235									
0.17	159200	22500	-	10033									
0.19	159200	22500	-	9021									
0.21	159200	22500	-	8026									
0.24	159200	22500	-	7075									
0.27	159200	22500	-	6295									
0.31	159200	22500	-	5404									
0.35	159200	22500	-	4831									
0.41	159200	22500	-	4130*									
0.47	159200	22500	-	3607									
0.53	159200	22500	-	3210									
0.61	159200	22500	-	2780									
1.2	159200	22500	-	1441									
 3 2													
0.70	159200	22500	-	2427									
0.78	159200	22500	-	2185									
0.87	159200	22500	-	1944*									
1.0	159200	22500	-	1674									
1.3	159200	22500	-	1308									
1.5	159200	22500	-	1169									
1.8	159200	22500	-	953									
2.0	159200	22500	-	845									
2.2	159200	22500	-	764									
2.5	159200	22500	-	680									
3.0	159200	22500	-	576									
3.4	159200	22500	-	503									
3.8	159200	22500	-	446									
4.8	159200	22500	-	353									
5.6	159200	22500	-	302									
6.2	159200	22500	-	273									
7.3	159200	22500	-	232									
8.4	159200	22500	-	202									
8.6	159200	22500	-	197									

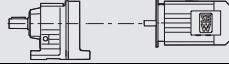

9.3 F.. DRS/DRN.. Selections by HP

<b>P<sub>m</sub> = 0.16 HP</b>											
n <sub>a</sub> rpm	T <sub>a</sub> lb-in	i ratio	F <sub>Ra</sub> <sup>1)</sup> lb	SEW SF f <sub>B</sub>	HazLoc -NA <sup>®</sup>					m lbs	
0.08	95100	22323	20200	1.10							
0.09	81200	19048	20200	1.30							
0.10	71000	16656	20200	1.50		FA	127R77	DR	63S4	940	504/516
0.11	62700	14722	20200	1.70		FAF	127R77	DR	63S4	1020	503/516
0.13	53800	12912	20200	1.95		F	127R77	DR	63S4	1020	502/516
0.14	47000	11656	20200	2.3		FF	127R77	DR	63S4	1120	503/516
0.16	42500	10191	20200	2.5							
0.11	62900	14767	11500	1.10							
0.15	48300	11348	12400	1.40							
0.17	37500	10039	13000	1.80							
0.20	30000	8548	13400	2.3		FA	107R77	DR	63S4	610	497/516
0.22	32000	7674	13300	2.1		FAF	107R77	DR	63S4	650	496/516
0.25	27300	6767	13500	2.5		F	107R77	DR	63S4	640	495/516
0.28	22800	5954	13700	3.0		FF	107R77	DR	63S4	700	496/516
0.32	19500	5223	13900	3.5							
0.37	19400	4567	13900	3.5							
0.48	14200	3521	14100	4.8							
0.26	28200	6469	7380	1.35		FA	97R57	DR	63S4	405	490/516
0.30	26500	5615	7480	1.45		FAF	97R57	DR	63S4	455	489/516
0.34	22900	4961	7690	1.65		F	97R57	DR	63S4	420	488/516
0.39	20000	4333	7840	1.90		FF	97R57	DR	63S4	495	489/516
0.43	18700	3906	7900	2.0		FA	97R57	DR	63S4	405	490/516
0.50	16200	3352	8020	2.3		FAF	97R57	DR	63S4	450	489/516
0.58	13100	2907	8150	2.9		F	97R57	DR	63S4	420	488/516
0.66	12200	2553	8190	3.1		FF	97R57	DR	63S4	490	489/516
0.40	19000	4245	5840	1.40		FA	87R57	DR	63S4	260	483/516
0.45	14700	3721	6160	1.80		FAF	87R57	DR	63S4	290	482/516
						F	87R57	DR	63S4	275	481/516
						FF	87R57	DR	63S4	305	482/516
0.52	15700	3244	6090	1.70							
0.58	13900	2881	6210	1.90							
0.65	12400	2576	6300	2.1		FA	87R57	DR	63S4	260	483/516
0.76	10500	2199	6420	2.5		FAF	87R57	DR	63S4	285	482/516
0.87	9050	1930	6500	2.9		F	87R57	DR	63S4	270	481/516
0.98	8190	1709	6540	3.2		FF	87R57	DR	63S4	305	482/516
1.1	7230	1493	6590	3.7							
1.3	5530	1300	6670	4.8							
1.5	5080	1148	6690	5.2							
0.74	10900	2284	3870	1.20		FA	77R37	DR	63S4	145	476/516
0.83	9680	2029	4030	1.35		FAF	77R37	DR	63S4	160	475/516
						F	77R37	DR	63S4	155	474/516
						FF	77R37	DR	63S4	175	475/516
0.97	8200	1728	4170	1.60							
1.1	7650	1544	4220	1.75							
1.2	6710	1354	4290	2.0		FA	77R37	DR	63S4	145	476/516
1.4	5940	1200	4340	2.2		FAF	77R37	DR	63S4	160	475/516
1.6	5210	1053	4390	2.5		F	77R37	DR	63S4	150	474/516
1.9	4430	910	4430	3.0		FF	77R37	DR	63S4	175	475/516
2.1	3610	810	4460	3.7							
2.4	3170	710	4470	4.2							
1.2	6650	1429	2440	1.10							
1.3	6030	1271	2560	1.20							
1.5	4980	1102	2720	1.45							
1.7	4380	970	2790	1.65		FA	67R37	DR	63S4	95	469/516
2.0	3830	858	2850	1.90		FAF	67R37	DR	63S4	110	468/516
2.2	3370	755	2890	2.1		F	67R37	DR	63S4	100	467/516
2.6	2860	641	2920	2.5		FF	67R37	DR	63S4	115	468/516
2.9	2710	572	2920	2.7							
3.3	2270	509	2920	3.2							
3.9	1970	437	2920	3.7							

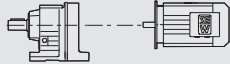

21933480/EN-US - 04/2018

<b>P<sub>m</sub> = 0.16 HP</b>											
<b>n<sub>a</sub></b> rpm	<b>T<sub>a</sub></b> lb-in	<b>i</b> ratio	<b>F<sub>Ra</sub><sup>1)</sup></b> lb	<b>SEW SF</b> f <sub>B</sub>	<b>HazLoc</b> -NA <sup>®</sup>					<b>m</b> lbs	
2.0	4320	851	2250	1.25							
2.3	3680	738	2350	1.45	FA	57R37	DR	63S4	86	462/516	
2.6	3200	646	2430	1.65	FAF	57R37	DR	63S4	98	461/516	
3.0	2720	558	2490	1.95	F	57R37	DR	63S4	87	460/516	
3.3	2400	506	2540	2.2	FF	57R37	DR	63S4	100	461/516	
3.7	2040	452	2580	2.6							
4.0	2180	426	2560	2.4	FA	57R37	DR	63S4	85	462/516	
4.4	1910	382	2580	2.8	FAF	57R37	DR	63S4	97	461/516	
5.1	1620	330	2580	3.3	F	57R37	DR	63S4	85	460/516	
5.6	1470	298	2580	3.6	FF	57R37	DR	63S4	99	461/516	
6.4	1290	262	2580	4.1							
3.1	2720	543	1570	1.30	FA	47R17	DR	63S4	52	455/516	
3.5	2320	475	1650	1.50	FAF	47R17	DR	63S4	58	454/516	
4.0	2020	419	1710	1.75	F	47R17	DR	63S4	54	453/516	
					FF	47R17	DR	63S4	61	454/516	
3.2	2680	524	1580	1.30							
3.4	2480	489	1620	1.45	FA	47R17	DR	63S4	51	455/516	
3.9	2130	427	1690	1.65	FAF	47R17	DR	63S4	57	454/516	
4.4	1880	381	1730	1.90	F	47R17	DR	63S4	53	453/516	
5.0	1650	334	1760	2.1	FF	47R17	DR	63S4	60	454/516	
5.7	1430	295	1790	2.5							
6.6	1180	253	1810	3.0							
5.2	1520	322	1040	1.15	FA	37R17	DR	63S4	42	448/516	
6.1	1330	278	1090	1.30	FAF	37R17	DR	63S4	45	447/516	
6.9	1120	242	1140	1.60	F	37R17	DR	63S4	43	446/516	
7.6	1090	221	1150	1.60	FF	37R17	DR	63S4	47	447/516	
5.2	1650	326	1000	1.05							
5.9	1420	285	1070	1.25	FA	37R17	DR	63S4	41	448/516	
6.7	1240	250	1120	1.45	FAF	37R17	DR	63S4	45	447/516	
7.7	1090	219	1150	1.60	F	37R17	DR	63S4	42	446/516	
9.0	920	186	1180	1.90	FF	37R17	DR	63S4	47	447/516	
10	820	167	1190	2.1							
7.6	1080	221	1010	1.05	FA	27R17	DR	63S4	28	443/516	
9.8	820	172	1010	1.40	FAF	27R17	DR	63S4	30	442/516	
11	720	153	1010	1.60	F	27R17	DR	63S4	29	441/516	
13	595	130	1010	1.90	FF	27R17	DR	63S4	31	442/516	
8.0	1040	211	1010	1.10							
9.0	910	186	1010	1.25	FA	27R17	DR	63S4	28	443/516	
12	720	142	1010	1.60	FAF	27R17	DR	63S4	29	442/516	
14	615	124	1010	1.85	F	27R17	DR	63S4	29	441/516	
15	535	109	1010	2.1	FF	27R17	DR	63S4	31	442/516	
18	465	96	1010	2.5							
4.8	2090	228.99	2920	3.5	FA	67	DR	63M6	71	469	
5.6	1790	195.39	2920	4.0	FAF	67	DR	63M6	85	468	
6.4	1560	170.85	2920	4.6	F	67	DR	63M6	77	467	
6.8	1480	162.31	2920	4.9	FF	67	DR	63M6	90	468	
7.7	1300	142.40	2920	5.6							
5.5	1820	199.70	2580	2.9	FA	57	DR	63M6	62	462	
6.0	1680	183.60	2580	3.2	FAF	57	DR	63M6	74	461	
7.0	1430	157.09	2580	3.7	F	57	DR	63M6	63	460	
8.1	1240	136.16	2580	4.2	FF	57	DR	63M6	77	461	
8.6	1160	127.27	2580	4.5							
8.4	1190	199.70	2580	4.4	FA	57	DR	63S4	62	462	
9.2	1100	183.60	2580	4.8	FAF	57	DR	63S4	74	461	
11	940	157.09	2580	5.6	F	57	DR	63S4	63	460	
12	810	136.16	2580	6.5	FF	57	DR	63S4	77	461	
5.8	1740	190.76	1750	2.0							
6.3	1600	175.38	1770	2.2							
7.3	1370	150.06	1790	2.6	FA	47	DR	63M6	46	455	
8.5	1190	130.07	1810	3.0	FAF	47	DR	63M6	52	454	
9.1	1110	121.57	1820	3.2	F	47	DR	63M6	48	453	
10	960	105.09	1830	3.7	FF	47	DR	63M6	55	454	
12	810	89.29	1840	4.3							
14	730	79.72	1840	4.8							

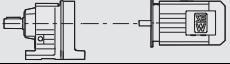

**P<sub>m</sub> = 0.16 HP**

n <sub>a</sub> rpm	T <sub>a</sub> lb-in	i ratio	F <sub>Ra</sub> <sup>1)</sup> lb	SEW SF f <sub>B</sub>	HazLoc -NA <sup>®</sup>		m lbs	
8.8	1140	190.76	1820	3.1		FA 47 DR 63S4	46	455
9.6	1050	175.38	1820	3.4		FAF 47 DR 63S4	52	454
11	900	150.06	1830	3.9		F 47 DR 63S4	48	453
13	780	130.07	1840	4.5		FF 47 DR 63S4	55	454
8.6	1170	128.51	1130	1.50		FA 37 DR 63M6	35	448
9.3	1080	117.88	1150	1.65		FAF 37 DR 63M6	39	447
11	910	100.36	1180	1.90		F 37 DR 63M6	36	446
13	790	86.53	1190	2.2		FF 37 DR 63M6	40	447
14	735	80.65	1200	2.4				
13	770	128.51	1200	2.3		FA 37 DR 63S4	35	448
14	705	117.88	1200	2.5		FAF 37 DR 63S4	39	447
17	600	100.36	1220	2.9		F 37 DR 63S4	36	446
19	515	86.53	1220	3.4		FF 37 DR 63S4	40	447
21	480	80.65	1230	3.7				
10	1000	109.90	1010	1.15		FA 27 DR 63M6	22	443
12	860	94.76	1010	1.30		FAF 27 DR 63M6	23	442
12	800	88.32	1010	1.40		F 27 DR 63M6	23	441
14	705	77.21	1010	1.65		FF 27 DR 63M6	25	442
12	840	140.74	1010	1.35				
13	770	129.09	1010	1.50				
15	655	109.90	1010	1.75				
18	565	94.76	1010	2.0				
19	525	88.32	1010	2.2				
22	460	77.21	1010	2.5		FA 27 DR 63S4	22	443
23	430	72.37	1010	2.6		FAF 27 DR 63S4	23	442
26	380	63.86	1010	3.0		F 27 DR 63S4	23	441
30	335	56.62	1010	3.4		FF 27 DR 63S4	25	442
33	300	50.19	1010	3.8				
36	280	46.78	1000	4.1				
41	245	40.89	960	4.7				
44	225	38.33	940	5.0				
50	200	33.83	910	5.7				
57	177	29.56	870	6.5				
62	163	27.18	850	7.0				
72	140	23.25	810	8.2				
83	121	20.15	775	9.5				
89	113	18.84	755	10				
103	98	16.28	725	12				
121	83	13.84	685	14				
136	74	12.35	665	16		FA 27 DR 63S4	21	443
159	63	10.55	630	18		FAF 27 DR 63S4	23	442
170	59	9.88	620	19		F 27 DR 63S4	22	441
179	56	9.40	605	20		FF 27 DR 63S4	24	442
207	49	8.13	580	22				
243	41	6.91	550	24				
272	37	6.17	530	26				
319	32	5.27	505	28				
341	30	4.93	495	29				
404	25	4.16	465	31				

**P<sub>m</sub> = 0.25 HP**

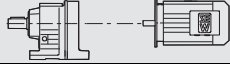

n <sub>a</sub> rpm	T <sub>a</sub> lb-in	i ratio	F <sub>Ra</sub> <sup>1)</sup> lb	SEW SF f <sub>B</sub>	HazLoc -NA <sup>®</sup>		m lbs	
0.13	93100	12912	20200	1.15	X			
0.15	82500	11656	20200	1.30	X	FA 127R77 (E)DRS 71S4	940	504/516
0.17	73500	10191	20200	1.45	X	FAF 127R77 (E)DRS 71S4	1030	503/516
0.19	59800	8831	20200	1.75	X	F 127R77 (E)DRS 71S4	1020	502/516
0.22	51800	7643	20200	2.0	X	FF 127R77 (E)DRS 71S4	1120	503/516
0.25	49000	6715	20200	2.2	X			

21933480/EN-US - 04/2018

P <sub>m</sub> = 0.25 HP											
n <sub>a</sub> rpm	T <sub>a</sub> lb-in	i ratio	F <sub>Ra</sub> <sup>1)</sup> lb	SEW SF f <sub>B</sub>	HazLoc -NA®					m lbs	
0.20	55900	8548	12000	1.20	X						
0.22	55300	7674	12000	1.25	X						
0.25	47900	6767	12400	1.40	X	FA	107R77	(E)DRS	71S4	610	497/516
0.29	40900	5954	12800	1.65	X	FAF	107R77	(E)DRS	71S4	660	496/516
0.33	35400	5223	13100	1.90	X	F	107R77	(E)DRS	71S4	650	495/516
0.37	33300	4567	13200	2.0	X	FF	107R77	(E)DRS	71S4	710	496/516
0.48	24900	3521	13600	2.7	X						
0.56	22100	3037	13800	3.1	X	FA	107R77	(E)DRS	71S4	610	497/516
0.62	20100	2756	13900	3.4	X	FAF	107R77	(E)DRS	71S4	650	496/516
0.72	17300	2369	14000	3.9	X	F	107R77	(E)DRS	71S4	640	495/516
0.82	15100	2068	14100	4.5	X	FF	107R77	(E)DRS	71S4	710	496/516
0.39	33200	4333	7060	1.15	X	FA	97R57	(E)DRS	71S4	410	490/516
						FAF	97R57	(E)DRS	71S4	460	489/516
						F	97R57	(E)DRS	71S4	425	488/516
						FF	97R57	(E)DRS	71S4	500	489/516
0.44	30700	3906	7230	1.25	X						
0.51	26500	3352	7480	1.45	X						
0.58	22100	2907	7730	1.70	X						
0.67	20100	2553	7840	1.90	X	FA	97R57	(E)DRS	71S4	410	490/516
0.76	17600	2245	7950	2.1	X	FAF	97R57	(E)DRS	71S4	455	489/516
0.86	15300	1970	8060	2.5	X	F	97R57	(E)DRS	71S4	425	488/516
0.99	13600	1722	8130	2.8	X	FF	97R57	(E)DRS	71S4	495	489/516
1.1	12100	1527	8200	3.1	X						
1.3	9730	1327	8290	3.9	X						
1.4	9270	1171	8310	4.1	X						
0.66	20400	2576	5720	1.30	X						
0.77	17300	2199	5970	1.55	X						
0.88	14900	1930	6140	1.75	X						
0.99	13400	1709	6240	1.95	X	FA	87R57	(E)DRS	71S4	265	483/516
1.1	11800	1493	6340	2.2	X	FAF	87R57	(E)DRS	71S4	290	482/516
1.3	9530	1300	6470	2.8	X	F	87R57	(E)DRS	71S4	275	481/516
1.5	8610	1148	6520	3.1	X	FF	87R57	(E)DRS	71S4	310	482/516
1.7	7410	1010	6580	3.6	X						
1.9	6650	887	6620	4.0	X						
2.2	5720	780	6660	4.6	X						
1.1	12400	1544	3670	1.05	X						
1.3	10800	1354	3890	1.20	X						
1.4	9630	1200	4030	1.40	X	FA	77R37	(E)DRS	71S4	150	476/516
1.6	8450	1053	4150	1.55	X	FAF	77R37	(E)DRS	71S4	165	475/516
1.9	7230	910	4250	1.85	X	F	77R37	(E)DRS	71S4	160	474/516
2.1	6100	810	4330	2.2	X	FF	77R37	(E)DRS	71S4	180	475/516
2.4	5350	710	4380	2.5	X						
2.8	4800	615	4410	2.8	X						
2.0	6470	858	2480	1.10	X						
2.2	5690	755	2610	1.25	X	FA	67R37	(E)DRS	71S4	100	469/516
2.6	4830	641	2740	1.50	X	FAF	67R37	(E)DRS	71S4	115	468/516
3.0	4470	572	2780	1.60	X	F	67R37	(E)DRS	71S4	105	467/516
3.3	3830	509	2850	1.90	X	FF	67R37	(E)DRS	71S4	120	468/516
3.9	3310	437	2900	2.2	X						
4.4	2990	384	2920	2.4	X						
3.4	4020	500	2830	1.80	X						
3.8	3680	454	2870	1.95	X	FA	67R37	(E)DRS	71S4	98	469/516
4.3	3150	392	2910	2.3	X	FAF	67R37	(E)DRS	71S4	110	468/516
5.1	2630	333	2920	2.8	X	F	67R37	(E)DRS	71S4	105	467/516
5.7	2320	297	2920	3.1	X	FF	67R37	(E)DRS	71S4	120	468/516
6.5	2040	261	2920	3.5	X						
7.2	1810	238	2920	4.0	X						
8.5	1500	200	2920	4.8	X						
3.0	4430	558	2230	1.20	X	FA	57R37	(E)DRS	71S4	92	462/516
3.4	3960	506	2310	1.35	X	FAF	57R37	(E)DRS	71S4	105	461/516
3.8	3430	452	2390	1.55	X	F	57R37	(E)DRS	71S4	92	460/516
4.4	2930	386	2460	1.80	X	FF	57R37	(E)DRS	71S4	105	461/516
5.0	2540	338	2520	2.1	X						

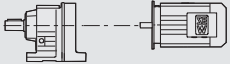

21933480/EN-US - 04/2018



**P<sub>m</sub> = 0.25 HP**

n <sub>a</sub> rpm	T <sub>a</sub> lb-in	i ratio	F <sub>Ra</sub> <sup>1)</sup> lb	SEW SF f <sub>B</sub>	HazLoc -NA®		m lbs			
4.0	3510	426	2380	1.50	X					
4.5	3100	382	2440	1.70	X					
5.2	2650	330	2500	2.0	X	FA	57R37	(E)DRS 71S4	91	462/516
5.7	2390	298	2540	2.2	X	FAF	57R37	(E)DRS 71S4	105	461/516
6.5	2110	262	2570	2.5	X	F	57R37	(E)DRS 71S4	91	460/516
7.5	1770	226	2580	3.0	X	FF	57R37	(E)DRS 71S4	105	461/516
8.5	1530	200	2580	3.5	X					
4.6	2840	370	1540	1.25	X	FA	47R17	(E)DRS 71S4	58	455/516
5.3	2630	324	1590	1.35	X	FAF	47R17	(E)DRS 71S4	64	454/516
5.9	2270	288	1670	1.55	X	F	47R17	(E)DRS 71S4	60	453/516
6.8	1910	249	1720	1.85	X	FF	47R17	(E)DRS 71S4	67	454/516
5.1	2690	334	1580	1.30	X					
5.8	2350	295	1650	1.50	X	FA	47R17	(E)DRS 71S4	56	455/516
6.7	1970	253	1720	1.80	X	FAF	47R17	(E)DRS 71S4	62	454/516
7.8	1770	217	1740	2.0	X	F	47R17	(E)DRS 71S4	58	453/516
9.0	1540	190	1780	2.3	X	FF	47R17	(E)DRS 71S4	65	454/516
9.6	1430	178	1790	2.5	X					
9.1	1500	186	1050	1.20	X	FA	37R17	(E)DRS 71S4	47	448/516
10	1340	167	1090	1.30	X	FAF	37R17	(E)DRS 71S4	50	447/516
12	1190	145	1130	1.50	X	F	37R17	(E)DRS 71S4	48	446/516
13	1050	129	1150	1.65	X	FF	37R17	(E)DRS 71S4	52	447/516
12	1160	142	1010	1.00		FA	27R17	(E)DRS 71S4	33	443/516
14	1000	124	1010	1.15	X	FAF	27R17	(E)DRS 71S4	35	442/516
16	870	109	1010	1.30	X	F	27R17	(E)DRS 71S4	34	441/516
18	765	96	1010	1.50	X	FF	27R17	(E)DRS 71S4	36	442/516
3.8	4150	281.71	4440	3.2		FA	77	DR 63L6	125	476
4.1	3870	262.93	4450	3.4		FAF	77	DR 63L6	140	475
4.7	3320	225.79	4470	4.0		F	77	DR 63L6	135	474
						FF	77	DR 63L6	155	475
7.4	2120	228.99	2920	3.4	X	FA	67	(E)DRS 71S4	76	469
8.7	1810	195.39	2920	4.0	X	FAF	67	(E)DRS 71S4	90	468
9.9	1580	170.85	2920	4.6	X	F	67	(E)DRS 71S4	82	467
						FF	67	(E)DRS 71S4	95	468
4.7	3370	228.99	2890	2.1		FA	67	DR 63L6	72	469
5.5	2870	195.39	2920	2.5		FAF	67	DR 63L6	86	468
6.3	2510	170.85	2920	2.9		F	67	DR 63L6	78	467
						FF	67	DR 63L6	92	468
8.5	1850	199.70	2580	2.9	X	FA	57	(E)DRS 71S4	67	462
9.3	1700	183.60	2580	3.1	X	FAF	57	(E)DRS 71S4	79	461
11	1450	157.09	2580	3.6	X	F	57	(E)DRS 71S4	68	460
12	1260	136.16	2580	4.2	X	FF	57	(E)DRS 71S4	82	461
13	1180	127.27	2580	4.5	X					
5.4	2940	199.70	2460	1.80		FA	57	DR 63L6	64	462
5.8	2700	183.60	2500	1.95		FAF	57	DR 63L6	76	461
6.8	2310	157.09	2550	2.3		F	57	DR 63L6	64	460
7.9	2000	136.16	2580	2.6		FF	57	DR 63L6	78	461
8.4	1870	127.27	2580	2.8						
9.7	1620	110.01	2580	3.3						
8.9	1760	190.76	1750	2.0	X	FA	47	(E)DRS 71S4	52	455
9.7	1620	175.38	1760	2.2	X	FAF	47	(E)DRS 71S4	58	454
11	1390	150.06	1790	2.5	X	F	47	(E)DRS 71S4	54	453
13	1200	130.07	1810	2.9	X	FF	47	(E)DRS 71S4	61	454
14	1120	121.57	1820	3.1	X					
5.6	2810	190.76	1550	1.25		FA	47	DR 63L6	47	455
6.1	2580	175.38	1600	1.35		FAF	47	DR 63L6	53	454
7.1	2210	150.06	1680	1.60		F	47	DR 63L6	49	453
8.2	1910	130.07	1720	1.85		FF	47	DR 63L6	56	454
8.8	1790	121.57	1740	2.0						

21933480/EN-US - 04/2018

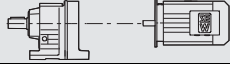



<b>P<sub>m</sub> = 0.25 HP</b>							<b>m</b> <b>lbs</b>			
<b>n<sub>a</sub></b> rpm	<b>T<sub>a</sub></b> lb-in	<b>i</b> ratio	<b>F<sub>Ra</sub><sup>1)</sup></b> lb	<b>SEW SF</b> <b>f<sub>B</sub></b>	<b>HazLoc</b> <b>-NA<sup>®</sup></b>					
13	1190	128.51	1130	1.50	X					
14	1090	117.88	1150	1.60	X					
17	930	100.36	1170	1.90	X	<b>FA</b>	<b>37</b>	<b>(E)DRS 71S4</b>	41	448
20	800	86.53	1190	2.2	X	<b>FAF</b>	<b>37</b>	<b>(E)DRS 71S4</b>	45	447
21	745	80.65	1200	2.4	X	<b>F</b>	<b>37</b>	<b>(E)DRS 71S4</b>	42	446
24	650	70.50	1210	2.7	X	<b>FF</b>	<b>37</b>	<b>(E)DRS 71S4</b>	46	447
26	610	66.09	1210	2.9	X					
29	540	58.32	1220	3.3	X					
9.1	1730	117.88	980	1.00		<b>FA</b>	<b>37</b>	<b>DR 63L6</b>	37	448
11	1470	100.36	1060	1.20		<b>FAF</b>	<b>37</b>	<b>DR 63L6</b>	40	447
12	1270	86.53	1110	1.40		<b>F</b>	<b>37</b>	<b>DR 63L6</b>	38	446
13	1180	80.65	1130	1.50		<b>FF</b>	<b>37</b>	<b>DR 63L6</b>	42	447
15	1030	70.50	1160	1.70						
15	1010	109.90	1010	1.15	X					
18	870	94.76	1010	1.30	X					
19	810	88.32	1010	1.40	X					
22	715	77.21	1010	1.60	X					
23	670	72.37	1010	1.70	X	<b>FA</b>	<b>27</b>	<b>(E)DRS 71S4</b>	28	443
27	590	63.86	1010	1.95	X	<b>FAF</b>	<b>27</b>	<b>(E)DRS 71S4</b>	29	442
30	525	56.62	1010	2.2	X	<b>F</b>	<b>27</b>	<b>(E)DRS 71S4</b>	29	441
34	465	50.19	980	2.5	X	<b>FF</b>	<b>27</b>	<b>(E)DRS 71S4</b>	31	442
36	430	46.78	960	2.6	X					
42	375	40.89	920	3.0	X					
44	355	38.33	910	3.2	X					
50	310	33.83	880	3.7	X					
58	270	29.56	840	4.2	X					
63	250	27.18	820	4.6	X					
73	215	23.25	785	5.3	X					
84	187	20.15	755	6.2	X					
90	175	18.84	740	6.6	X					
104	151	16.28	710	7.6	X					
123	128	13.84	675	9.0	X					
138	115	12.35	650	10	X	<b>FA</b>	<b>27</b>	<b>(E)DRS 71S4</b>	27	443
161	98	10.55	620	12	X	<b>FAF</b>	<b>27</b>	<b>(E)DRS 71S4</b>	29	442
172	92	9.88	610	13	X	<b>F</b>	<b>27</b>	<b>(E)DRS 71S4</b>	28	441
181	87	9.40	595	13	X	<b>FF</b>	<b>27</b>	<b>(E)DRS 71S4</b>	30	442
209	75	8.13	570	14	X					
246	64	6.91	540	16	X					
276	57	6.17	525	17	X					
323	49	5.27	495	18	X					
345	46	4.93	485	19	X					
409	39	4.16	460	20	X					

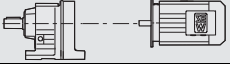

<b>P<sub>m</sub> = 0.33 HP</b>							<b>m</b> <b>lbs</b>			
<b>n<sub>a</sub></b> rpm	<b>T<sub>a</sub></b> lb-in	<b>i</b> ratio	<b>F<sub>Ra</sub><sup>1)</sup></b> lb	<b>SEW SF</b> <b>f<sub>B</sub></b>	<b>HazLoc</b> <b>-NA<sup>®</sup></b>					
0.19	84200	8831	20200	1.25	X					
0.22	72900	7643	20200	1.45	X	<b>FA</b>	<b>127R77</b>	<b>(E)DRS 71S4</b>	940	504/516
0.25	67600	6715	20200	1.55	X	<b>FAF</b>	<b>127R77</b>	<b>(E)DRS 71S4</b>	1030	503/516
0.29	59600	5925	20200	1.80	X	<b>F</b>	<b>127R77</b>	<b>(E)DRS 71S4</b>	1020	502/516
0.33	50600	5153	20200	2.1	X	<b>FF</b>	<b>127R77</b>	<b>(E)DRS 71S4</b>	1120	503/516
0.37	43600	4533	20200	2.4	X					
0.29	57300	5954	11900	1.20	X	<b>FA</b>	<b>107R77</b>	<b>(E)DRS 71S4</b>	610	497/516
0.33	49800	5223	12300	1.35	X	<b>FAF</b>	<b>107R77</b>	<b>(E)DRS 71S4</b>	660	496/516
0.37	45900	4567	12600	1.50	X	<b>F</b>	<b>107R77</b>	<b>(E)DRS 71S4</b>	650	495/516
0.48	34600	3521	13200	1.95	X	<b>FF</b>	<b>107R77</b>	<b>(E)DRS 71S4</b>	710	496/516
0.56	30600	3037	13400	2.2	X					
0.62	27800	2756	13500	2.4	X	<b>FA</b>	<b>107R77</b>	<b>(E)DRS 71S4</b>	610	497/516
0.72	23900	2369	13700	2.8	X	<b>FAF</b>	<b>107R77</b>	<b>(E)DRS 71S4</b>	650	496/516
0.82	20800	2068	13800	3.2	X	<b>F</b>	<b>107R77</b>	<b>(E)DRS 71S4</b>	640	495/516
1.1	15900	1597	14100	4.3	X	<b>FF</b>	<b>107R77</b>	<b>(E)DRS 71S4</b>	710	496/516
1.2	13600	1401	14100	5.0	X					

21933480/EN-US - 04/2018

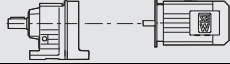

**P<sub>m</sub> = 0.33 HP**

n <sub>a</sub> rpm	T <sub>a</sub> lb-in	i ratio	F <sub>Ra</sub> <sup>1)</sup> lb	SEW SF f <sub>B</sub>	HazLoc -NA®					m lbs	
0.58	30200	2907	7260	1.25	X						
0.67	27200	2553	7440	1.40	X						
0.76	23900	2245	7630	1.60	X						
0.86	20800	1970	7800	1.85	X	FA	97R57	(E)DRS	71S4	410	490/516
0.99	18400	1722	7920	2.1	X	FAF	97R57	(E)DRS	71S4	455	489/516
1.1	16300	1527	8010	2.3	X	F	97R57	(E)DRS	71S4	425	488/516
1.3	13400	1327	8140	2.8	X	FF	97R57	(E)DRS	71S4	495	489/516
1.4	12500	1171	8180	3.0	X						
1.7	10900	1022	8240	3.5	X						
0.88	20300	1930	5730	1.30	X						
0.99	18200	1709	5900	1.45	X						
1.1	16000	1493	6070	1.65	X						
1.3	13100	1300	6260	2.0	X	FA	87R57	(E)DRS	71S4	265	483/516
1.5	11800	1148	6340	2.2	X	FAF	87R57	(E)DRS	71S4	290	482/516
1.7	10200	1010	6430	2.6	X	F	87R57	(E)DRS	71S4	275	481/516
1.9	9130	887	6500	2.9	X	FF	87R57	(E)DRS	71S4	310	482/516
2.2	7900	780	6560	3.4	X						
2.5	6650	674	6620	4.0	X						
1.6	11300	1053	3820	1.15	X						
1.9	9770	910	4020	1.35	X						
2.1	8370	810	4160	1.60	X	FA	77R37	(E)DRS	71S4	150	476/516
2.4	7340	710	4250	1.80	X	FAF	77R37	(E)DRS	71S4	165	475/516
2.8	6520	615	4310	2.0	X	F	77R37	(E)DRS	71S4	160	474/516
3.2	5710	538	4360	2.3	X	FF	77R37	(E)DRS	71S4	180	475/516
3.5	5050	480	4390	2.6	X						
4.1	4260	413	4430	3.1	X						
3.0	6070	572	2550	1.20	X	FA	67R37	(E)DRS	71S4	100	469/516
3.3	5250	509	2680	1.40	X	FAF	67R37	(E)DRS	71S4	115	468/516
3.9	4530	437	2770	1.60	X	F	67R37	(E)DRS	71S4	105	467/516
						FF	67R37	(E)DRS	71S4	120	468/516
3.4	5440	500	2650	1.35	X						
3.8	4970	454	2720	1.45	X						
4.3	4260	392	2810	1.70	X	FA	67R37	(E)DRS	71S4	98	469/516
5.1	3570	333	2880	2.0	X	FAF	67R37	(E)DRS	71S4	110	468/516
5.7	3160	297	2910	2.3	X	F	67R37	(E)DRS	71S4	105	467/516
6.5	2780	261	2920	2.6	X	FF	67R37	(E)DRS	71S4	120	468/516
7.2	2480	238	2920	2.9	X						
4.4	4010	386	2300	1.30	X	FA	57R37	(E)DRS	71S4	92	462/516
5.0	3490	338	2380	1.50	X	FAF	57R37	(E)DRS	71S4	105	461/516
6.7	2640	255	2500	2.0	X	F	57R37	(E)DRS	71S4	92	460/516
						FF	57R37	(E)DRS	71S4	105	461/516
4.5	4180	382	2270	1.25	X						
5.2	3590	330	2370	1.50	X						
5.7	3240	298	2420	1.65	X	FA	57R37	(E)DRS	71S4	91	462/516
6.5	2850	262	2480	1.85	X	FAF	57R37	(E)DRS	71S4	105	461/516
7.5	2410	226	2540	2.2	X	F	57R37	(E)DRS	71S4	91	460/516
8.5	2090	200	2580	2.5	X	FF	57R37	(E)DRS	71S4	105	461/516
10	1780	170	2580	3.0	X						
6.8	2610	249	1600	1.35	X	FA	47R17	(E)DRS	71S4	58	455/516
7.8	2330	218	1650	1.50	X	FAF	47R17	(E)DRS	71S4	64	454/516
8.8	2050	193	1700	1.70	X	F	47R17	(E)DRS	71S4	60	453/516
9.8	1860	175	1730	1.90	X	FF	47R17	(E)DRS	71S4	67	454/516
6.7	2680	253	1580	1.30	X						
7.8	2390	217	1640	1.50	X						
9.0	2070	190	1700	1.70	X	FA	47R17	(E)DRS	71S4	56	455/516
9.6	1940	178	1720	1.80	X	FAF	47R17	(E)DRS	71S4	62	454/516
11	1610	149	1770	2.2	X	F	47R17	(E)DRS	71S4	58	453/516
13	1410	131	1790	2.5	X	FF	47R17	(E)DRS	71S4	65	454/516
12	1600	145	1020	1.10	X						
13	1420	129	1070	1.25	X	FA	37R17	(E)DRS	71S4	47	448/516
14	1290	118	1100	1.35	X	FAF	37R17	(E)DRS	71S4	50	447/516
17	1070	98	1150	1.65	X	F	37R17	(E)DRS	71S4	48	446/516
20	930	87	1170	1.90	X	FF	37R17	(E)DRS	71S4	52	447/516

21933480/EN-US - 04/2018



<b>P<sub>m</sub> = 0.33 HP</b>											
<b>n<sub>a</sub></b> rpm	<b>T<sub>a</sub></b> lb-in	<b>i</b> ratio	<b>F<sub>Ra</sub><sup>1)</sup></b> lb	<b>SEW SF</b> f <sub>B</sub>	<b>HazLoc</b> -NA®					<b>m</b> lbs	
3.9	5320	281.71	4380	2.5		FA	77	DRS	71S6	130	476
4.2	4970	262.93	4400	2.7		FAF	77	DRS	71S6	145	475
4.9	4270	225.79	4430	3.1		F	77	DRS	71S6	135	474
5.5	3750	198.31	4450	3.5		FF	77	DRS	71S6	160	475
5.8	3560	188.40	4460	3.7							
4.8	4330	228.99	2800	1.65		FA	67	DRS	71S6	76	469
5.6	3690	195.39	2860	1.95		FAF	67	DRS	71S6	90	468
6.4	3230	170.85	2910	2.2		F	67	DRS	71S6	82	467
6.8	3070	162.31	2920	2.4		FF	67	DRS	71S6	95	468
7.7	2690	142.40	2920	2.7							
7.4	2800	228.99	2920	2.6	X	FA	67	(E)DRS	71S4	76	469
8.7	2390	195.39	2920	3.0	X	FAF	67	(E)DRS	71S4	90	468
9.9	2090	170.85	2920	3.5	X	F	67	(E)DRS	71S4	82	467
10	1980	162.31	2920	3.6	X	FF	67	(E)DRS	71S4	95	468
12	1740	142.40	2920	4.2	X						
5.5	3770	199.70	2340	1.40		FA	57	DRS	71S6	67	462
6.0	3470	183.60	2380	1.55		FAF	57	DRS	71S6	79	461
7.0	2970	157.09	2460	1.80		F	57	DRS	71S6	68	460
8.1	2570	136.16	2510	2.1		FF	57	DRS	71S6	82	461
8.6	2400	127.27	2540	2.2							
10	2080	110.01	2580	2.5							
8.5	2440	199.70	2530	2.2	X	FA	57	(E)DRS	71S4	67	462
9.3	2240	183.60	2560	2.4	X	FAF	57	(E)DRS	71S4	79	461
11	1920	157.09	2580	2.8	X	F	57	(E)DRS	71S4	68	460
12	1660	136.16	2580	3.2	X	FF	57	(E)DRS	71S4	82	461
13	1550	127.27	2580	3.4	X						
15	1340	110.01	2580	3.9	X						
7.3	2830	150.06	1540	1.25		FA	47	DRS	71S6	52	455
8.5	2460	130.07	1630	1.45		FAF	47	DRS	71S6	58	454
9.1	2290	121.57	1660	1.55		F	47	DRS	71S6	54	453
10	1980	105.09	1710	1.80		FF	47	DRS	71S6	61	454
8.9	2330	190.76	1650	1.50	X	FA	47	(E)DRS	71S4	52	455
9.7	2140	175.38	1690	1.65	X	FAF	47	(E)DRS	71S4	58	454
11	1830	150.06	1740	1.95	X	F	47	(E)DRS	71S4	54	453
13	1590	130.07	1770	2.2	X	FF	47	(E)DRS	71S4	61	454
14	1480	121.57	1780	2.4	X						
16	1280	105.09	1800	2.8	X						
19	1090	89.29	1820	3.2	X						
13	1570	128.51	1030	1.10	X						
14	1440	117.88	1070	1.25	X						
17	1220	100.36	1120	1.45	X						
20	1050	86.53	1150	1.65	X						
21	980	80.65	1160	1.80	X						
24	860	70.50	1180	2.0	X						
26	800	66.09	1190	2.2	X	FA	37	(E)DRS	71S4	41	448
29	710	58.32	1200	2.5	X	FAF	37	(E)DRS	71S4	45	447
31	665	54.54	1210	2.6	X	F	37	(E)DRS	71S4	42	446
33	630	51.70	1210	2.8	X	FF	37	(E)DRS	71S4	46	447
36	575	47.02	1220	3.1	X						
39	535	43.83	1220	3.3	X						
44	465	38.31	1230	3.8	X						
47	435	35.91	1210	4.0	X						
54	385	31.69	1170	4.6	X						
22	940	77.21	1010	1.20	X						
23	880	72.37	1010	1.30	X						
27	780	63.86	990	1.45	X						
30	690	56.62	970	1.65	X	FA	27	(E)DRS	71S4	28	443
34	610	50.19	940	1.85	X	FAF	27	(E)DRS	71S4	29	442
36	570	46.78	930	2.0	X	F	27	(E)DRS	71S4	29	441
42	500	40.89	900	2.3	X	FF	27	(E)DRS	71S4	31	442
44	465	38.33	880	2.5	X						
50	410	33.83	850	2.8	X						

**P<sub>m</sub> = 0.33 HP**

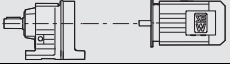

n <sub>a</sub> rpm	T <sub>a</sub> lb-in	i ratio	F <sub>Ra</sub> <sup>1)</sup> lb	SEW SF f <sub>B</sub>	HazLoc -NA®		m lbs	
406	51	8.13	460	21				
478	44	6.91	435	23		FA 27	DRS 71S2	27 443
535	39	6.17	420	25		FAF 27	DRS 71S2	29 442
626	33	5.27	400	27		F 27	DRS 71S2	28 441
669	31	4.93	390	27		FF 27	DRS 71S2	30 442
794	26	4.16	370	29				
58	360	29.56	820	3.2	X			
63	330	27.18	810	3.5	X			
73	280	23.25	770	4.0	X			
84	245	20.15	740	4.7	X			
90	230	18.84	725	5.0	X			
104	199	16.28	695	5.8	X			
123	169	13.84	665	6.8	X			
138	151	12.35	645	7.6	X	FA 27	(E)DRS 71S4	27 443
161	129	10.55	615	8.9	X	FAF 27	(E)DRS 71S4	29 442
172	121	9.88	600	9.5	X	F 27	(E)DRS 71S4	28 441
181	115	9.40	590	10.0	X	FF 27	(E)DRS 71S4	30 442
209	100	8.13	565	11	X			
246	84	6.91	535	12	X			
276	75	6.17	520	13	X			
323	65	5.27	495	14	X			
345	60	4.93	485	14	X			
409	51	4.16	460	15	X			

9

**P<sub>m</sub> = 0.50 HP**

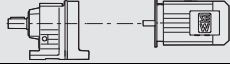

n <sub>a</sub> rpm	T <sub>a</sub> lb-in	i ratio	F <sub>Ra</sub> <sup>1)</sup> lb	SEW SF f <sub>B</sub>	HazLoc -NA®		m lbs	
0.25	106900	6715	20200	1.00				
0.29	94400	5925	20200	1.10	X			
0.33	80900	5153	20200	1.30	X	FA 127R77	(E)DRS 71S4	940 504/516
0.37	70200	4533	20200	1.50	X	FAF 127R77	(E)DRS 71S4	1030 503/516
0.43	61600	3926	20200	1.70	X	F 127R77	(E)DRS 71S4	1020 502/516
0.49	53500	3454	20200	2.0	X	FF 127R77	(E)DRS 71S4	1120 503/516
0.56	46700	3031	20200	2.3	X			
0.56	48700	3037	12400	1.40	X			
0.62	44100	2756	12700	1.55	X	FA 107R77	(E)DRS 71S4	610 497/516
0.72	37900	2369	13000	1.80	X	FAF 107R77	(E)DRS 71S4	650 496/516
0.82	33100	2068	13200	2.0	X	F 107R77	(E)DRS 71S4	640 495/516
1.1	25300	1597	13600	2.7	X	FF 107R77	(E)DRS 71S4	710 496/516
0.86	32500	1970	7110	1.15	X			
0.99	28600	1722	7360	1.35	X			
1.1	25400	1527	7550	1.50	X	FA 97R57	(E)DRS 71S4	410 490/516
1.3	21300	1327	7770	1.80	X	FAF 97R57	(E)DRS 71S4	455 489/516
1.4	19400	1171	7870	1.95	X	F 97R57	(E)DRS 71S4	425 488/516
1.7	17000	1022	7980	2.2	X	FF 97R57	(E)DRS 71S4	495 489/516
1.9	14200	898	8110	2.7	X			
1.3	20800	1300	5680	1.25	X			
1.5	18600	1148	5870	1.40	X			
1.7	16200	1010	6050	1.65	X			
1.9	14300	887	6180	1.85	X	FA 87R57	(E)DRS 71S4	265 483/516
2.2	12500	780	6300	2.1	X	FAF 87R57	(E)DRS 71S4	290 482/516
2.5	10600	674	6410	2.5	X	F 87R57	(E)DRS 71S4	275 481/516
2.8	9780	609	6460	2.7	X	FF 87R57	(E)DRS 71S4	310 482/516
3.3	8230	515	6540	3.2	X			
3.8	7260	452	6590	3.6	X			
2.1	13100	810	3550	1.00	X			
2.4	11500	710	3800	1.15	X			
2.8	10100	615	3970	1.30	X	FA 77R37	(E)DRS 71S4	150 476/516
3.2	8900	538	4110	1.50	X	FAF 77R37	(E)DRS 71S4	165 475/516
3.5	7900	480	4200	1.70	X	F 77R37	(E)DRS 71S4	160 474/516
4.1	6710	413	4290	2.0	X	FF 77R37	(E)DRS 71S4	180 475/516
4.6	6030	367	4340	2.2	X			
5.3	5380	323	4380	2.5	X			

21933480/EN-US - 04/2018



P <sub>m</sub> = 0.50 HP											
n <sub>a</sub> rpm	T <sub>a</sub> lb-in	i ratio	F <sub>Ra</sub> <sup>1)</sup> lb	SEW SF f <sub>B</sub>	HazLoc -NA®					m lbs	
4.4	6340	384	2500	1.15	X	FA	67R37	(E)DRS	71S4	100	469/516
5.0	5640	338	2620	1.30	X	FAF	67R37	(E)DRS	71S4	115	468/516
5.6	5030	305	2710	1.45	X	F	67R37	(E)DRS	71S4	105	467/516
6.6	4220	257	2810	1.70	X	FF	67R37	(E)DRS	71S4	120	468/516
7.4	3710	231	2860	1.95	X						
6.7	4160	255	2270	1.30	X	FA	57R37	(E)DRS	71S4	92	462/516
8.5	3240	201	2420	1.65	X	FAF	57R37	(E)DRS	71S4	105	461/516
9.4	2940	181	2460	1.80	X	F	57R37	(E)DRS	71S4	92	460/516
						FF	57R37	(E)DRS	71S4	105	461/516
6.5	4420	262	2230	1.20	X						
7.5	3760	226	2340	1.40	X	FA	57R37	(E)DRS	71S4	91	462/516
8.5	3300	200	2410	1.60	X	FAF	57R37	(E)DRS	71S4	105	461/516
10	2800	170	2480	1.90	X	F	57R37	(E)DRS	71S4	91	460/516
11	2480	152	2530	2.1	X	FF	57R37	(E)DRS	71S4	105	461/516
13	2180	134	2560	2.4	X						
9.8	2900	175	1530	1.20	X	FA	47R17	(E)DRS	71S4	58	455/516
12	2440	147	1630	1.45	X	FAF	47R17	(E)DRS	71S4	64	454/516
13	2150	130	1690	1.65	X	F	47R17	(E)DRS	71S4	60	453/516
						FF	47R17	(E)DRS	71S4	67	454/516
4.1	7750	270.68	6570	3.4		FA	87	DRS	71M6	220	483
4.3	7310	255.37	6590	3.6		FAF	87	DRS	71M6	245	482
4.8	6560	228.93	6630	4.0		F	87	DRS	71M6	230	481
						FF	87	DRS	71M6	265	482
4.9	6470	225.79	4310	2.0		FA	77	DRS	71M6	130	476
5.5	5680	198.31	4360	2.3		FAF	77	DRS	71M6	145	475
5.8	5390	188.40	4380	2.5		F	77	DRS	71M6	140	474
6.6	4770	166.47	4410	2.8		FF	77	DRS	71M6	165	475
7.7	4070	142.27	4440	3.3							
6.0	5220	281.71	4390	2.5	X	FA	77	(E)DRS	71S4	130	476
6.5	4870	262.93	4400	2.7	X	FAF	77	(E)DRS	71S4	145	475
7.5	4180	225.79	4440	3.2	X	F	77	(E)DRS	71S4	135	474
8.6	3670	198.31	4460	3.6	X	FF	77	(E)DRS	71S4	160	475
5.6	5590	195.39	2630	1.30		FA	67	DRS	71M6	79	469
6.4	4890	170.85	2730	1.50		FAF	67	DRS	71M6	93	468
6.8	4650	162.31	2760	1.55		F	67	DRS	71M6	85	467
7.7	4080	142.40	2830	1.80		FF	67	DRS	71M6	98	468
9.1	3460	120.79	2890	2.1							
7.4	4240	228.99	2810	1.70	X	FA	67	(E)DRS	71S4	76	469
8.7	3620	195.39	2870	2.0	X	FAF	67	(E)DRS	71S4	90	468
9.9	3160	170.85	2910	2.3	X	F	67	(E)DRS	71S4	82	467
10	3010	162.31	2920	2.4	X	FF	67	(E)DRS	71S4	95	468
12	2640	142.40	2920	2.8	X						
14	2230	120.79	2920	3.2	X						
7.0	4500	157.09	2220	1.20		FA	57	DRS	71M6	70	462
8.1	3900	136.16	2320	1.35		FAF	57	DRS	71M6	82	461
8.6	3640	127.27	2360	1.45		F	57	DRS	71M6	71	460
10	3150	110.01	2430	1.70		FF	57	DRS	71M6	85	461
8.5	3700	199.70	2350	1.45	X						
9.3	3400	183.60	2400	1.55	X						
11	2910	157.09	2470	1.80	X	FA	57	(E)DRS	71S4	67	462
12	2520	136.16	2520	2.1	X	FAF	57	(E)DRS	71S4	79	461
13	2360	127.27	2540	2.2	X	F	57	(E)DRS	71S4	68	460
15	2040	110.01	2580	2.6	X	FF	57	(E)DRS	71S4	82	461
18	1730	93.47	2580	3.1	X						
20	1540	83.46	2580	3.4	X						
11	2780	150.06	1560	1.25	X						
13	2410	130.07	1640	1.45	X	FA	47	(E)DRS	71S4	52	455
16	1940	105.09	1720	1.80	X	FAF	47	(E)DRS	71S4	58	454
19	1650	89.29	1760	2.1	X	F	47	(E)DRS	71S4	54	453
21	1470	79.72	1780	2.4	X	FF	47	(E)DRS	71S4	61	454
25	1260	68.09	1800	2.8	X						
26	1210	65.36	1810	2.9	X						

21933480/EN-US - 04/2018

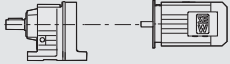

**P<sub>m</sub> = 0.50 HP**

n <sub>a</sub> rpm	T <sub>a</sub> lb-in	i ratio	F <sub>Ra</sub> <sup>1)</sup> lb	SEW SF f <sub>B</sub>	HazLoc -NA <sup>®</sup>		m lbs	
20	1600	86.53	1020	1.10	X			
21	1490	80.65	1050	1.20	X			
24	1300	70.50	1100	1.35	X			
26	1220	66.09	1120	1.45	X			
29	1080	58.32	1150	1.65	X			
31	1010	54.54	1160	1.75	X	FA 37	(E)DRS 71S4	41 448
33	950	51.70	1170	1.85	X	FAF 37	(E)DRS 71S4	45 447
36	870	47.02	1180	2.0	X	F 37	(E)DRS 71S4	42 446
39	810	43.83	1190	2.2	X	FF 37	(E)DRS 71S4	46 447
44	710	38.31	1180	2.5	X			
47	665	35.91	1170	2.7	X			
54	585	31.69	1130	3.0	X			
61	520	28.09	1090	3.4	X			
71	440	23.88	1050	4.0	X			
30	1040	56.62	890	1.10	X			
34	930	50.19	870	1.25	X	FA 27	(E)DRS 71S4	28 443
36	860	46.78	860	1.35	X	FAF 27	(E)DRS 71S4	29 442
42	755	40.89	840	1.50	X	F 27	(E)DRS 71S4	29 441
44	710	38.33	830	1.60	X	FF 27	(E)DRS 71S4	31 442
50	625	33.83	810	1.85	X			
406	78	8.13	455	14		FA 27	DRS 71S2	27 443
478	66	6.91	430	15		FAF 27	DRS 71S2	29 442
535	59	6.17	415	16		F 27	DRS 71S2	28 441
626	50	5.27	395	18		FF 27	DRS 71S2	30 442
669	47	4.93	390	18				
794	40	4.16	365	19				
58	545	29.56	780	2.1	X			
63	500	27.18	765	2.3	X			
73	430	23.25	740	2.7	X			
84	370	20.15	715	3.1	X			
90	345	18.84	700	3.3	X			
104	300	16.28	675	3.8	X			
123	255	13.84	645	4.5	X			
138	225	12.35	625	5.0	X	FA 27	(E)DRS 71S4	27 443
161	196	10.55	600	5.9	X	FAF 27	(E)DRS 71S4	29 442
172	183	9.88	585	6.3	X	F 27	(E)DRS 71S4	28 441
181	174	9.40	575	6.6	X	FF 27	(E)DRS 71S4	30 442
209	151	8.13	550	7.2	X			
246	128	6.91	525	7.9	X			
276	114	6.17	510	8.4	X			
323	98	5.27	485	9.1	X			
345	91	4.93	475	9.3	X			
409	77	4.16	450	10.0	X			

**P<sub>m</sub> = 0.75 HP**

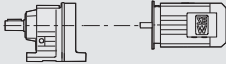

n <sub>a</sub> rpm	T <sub>a</sub> lb-in	i ratio	F <sub>Ra</sub> <sup>1)</sup> lb	SEW SF f <sub>B</sub>	HazLoc -NA <sup>®</sup>		m lbs	
0.27	143100	6295	23700	1.10	X	FA 157R97	(E)DRS 71M4	1690 511/516
0.31	118000	5404	25100	1.35	X	FAF 157R97	(E)DRS 71M4	1820 510/516
0.61	60700	2780	27000	2.6	X	F 157R97	(E)DRS 71M4	1740 509/516
						FF 157R97	(E)DRS 71M4	1970 510/516
0.70	53600	2427	27000	3.0	X	FA 157R97	(E)DRS 71M4	1690 511/516
1.0	39200	1674	27000	4.1	X	FAF 157R97	(E)DRS 71M4	1820 510/516
1.3	29600	1308	27000	5.4	X	F 157R97	(E)DRS 71M4	1730 509/516
1.4	25800	1169	27000	6.2	X	FF 157R97	(E)DRS 71M4	1970 510/516
0.43	96100	3926	20200	1.10	X	FA 127R77	(E)DRS 71M4	950 504/516
0.49	83800	3454	20200	1.25	X	FAF 127R77	(E)DRS 71M4	1030 503/516
0.56	73300	3031	20200	1.45	X	F 127R77	(E)DRS 71M4	1030 502/516
						FF 127R77	(E)DRS 71M4	1130 503/516

21933480/EN-US - 04/2018

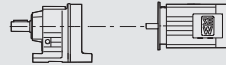

P <sub>m</sub> = 0.75 HP											
n <sub>a</sub> rpm	T <sub>a</sub> lb-in	i ratio	F <sub>Ra</sub> <sup>1)</sup> lb	SEW SF f <sub>B</sub>	HazLoc -NA®					m lbs	
0.71	59000	2369	11800	1.15	X						
0.82	51500	2068	12200	1.30	X						
0.93	43900	1826	12700	1.55	X						
1.1	39500	1597	12900	1.70	X	FA	107R77	(E)DRS	71M4	610	497/516
1.2	34400	1401	13200	1.95	X	FAF	107R77	(E)DRS	71M4	660	496/516
1.4	29900	1243	13400	2.3	X	F	107R77	(E)DRS	71M4	650	495/516
1.6	26900	1087	13500	2.5	X	FF	107R77	(E)DRS	71M4	710	496/516
1.8	22800	950	13700	3.0	X						
2.0	19800	834	13900	3.4	X						
2.6	15500	640	14100	4.4	X						
1.3	33100	1327	7070	1.15	X						
1.4	29800	1171	7280	1.25	X						
1.6	26100	1022	7510	1.45	X						
1.9	22100	898	7730	1.70	X						
2.1	19700	784	7860	1.95	X	FA	97R57	(E)DRS	71M4	410	490/516
2.5	17000	690	7980	2.2	X	FAF	97R57	(E)DRS	71M4	460	489/516
2.8	15000	605	8070	2.5	X	F	97R57	(E)DRS	71M4	425	488/516
3.2	13000	529	8160	2.9	X	FF	97R57	(E)DRS	71M4	500	489/516
3.6	11400	467	8220	3.3	X						
4.2	9870	406	8280	3.9	X						
4.7	8850	363	8320	4.3	X						
1.9	22200	887	5560	1.20	X						
2.2	19400	780	5800	1.35	X						
2.5	16600	674	6020	1.60	X	FA	87R57	(E)DRS	71M4	265	483/516
2.8	15100	609	6120	1.75	X	FAF	87R57	(E)DRS	71M4	295	482/516
3.3	12800	515	6280	2.1	X	F	87R57	(E)DRS	71M4	280	481/516
3.7	11200	452	6370	2.4	X	FF	87R57	(E)DRS	71M4	315	482/516
4.9	8400	345	6530	3.2	X						
3.5	12100	480	3710	1.10	X	FA	77R37	(E)DRS	71M4	150	476/516
4.1	10300	413	3950	1.30	X	FAF	77R37	(E)DRS	71M4	165	475/516
4.6	9290	367	4070	1.45	X	F	77R37	(E)DRS	71M4	160	474/516
5.2	8240	323	4170	1.60	X	FF	77R37	(E)DRS	71M4	185	475/516
6.6	6500	257	2470	1.10	X	FA	67R37	(E)DRS	71M4	105	469/516
7.3	5760	231	2600	1.25	X	FAF	67R37	(E)DRS	71M4	115	468/516
8.2	5160	205	2690	1.40	X	F	67R37	(E)DRS	71M4	110	467/516
9.7	4390	175	2790	1.65	X	FF	67R37	(E)DRS	71M4	125	468/516
4.1	11400	270.68	6370	2.3		FA	87	DRS	80S6	225	483
4.4	10700	255.37	6400	2.5		FAF	87	DRS	80S6	250	482
4.9	9660	228.93	6470	2.8		F	87	DRS	80S6	235	481
5.7	8320	197.20	6540	3.2		FF	87	DRS	80S6	270	482
6.2	7590	179.97	6580	3.5							
5.0	9530	225.79	4040	1.40		FA	77	DRS	80S6	135	476
5.7	8370	198.31	4160	1.60		FAF	77	DRS	80S6	150	475
5.9	7950	188.40	4200	1.65		F	77	DRS	80S6	145	474
6.7	7020	166.47	4270	1.90		FF	77	DRS	80S6	170	475
7.9	6000	142.27	4340	2.2							
8.6	5500	130.42	4370	2.4							
7.5	6310	225.79	4320	2.1	X						
8.5	5540	198.31	4370	2.4	X						
9.0	5270	188.40	4380	2.5	X						
10	4650	166.47	4410	2.9	X	FA	77	(E)DRS	71M4	130	476
12	3980	142.27	4440	3.3	X	FAF	77	(E)DRS	71M4	145	475
13	3640	130.42	4460	3.6	X	F	77	(E)DRS	71M4	140	474
15	3200	114.45	4470	4.1	X	FF	77	(E)DRS	71M4	165	475
16	3030	108.46*	4480	4.4	X						
18	2650	94.93	4490	5.0	X						
8.7	5460	195.39	2650	1.35	X						
9.9	4780	170.85	2750	1.50	X						
10	4540	162.31	2770	1.60	X						
12	3980	142.40	2840	1.80	X	FA	67	(E)DRS	71M4	79	469
14	3370	120.79	2890	2.1	X	FAF	67	(E)DRS	71M4	93	468
16	3050	109.04	2920	2.4	X	F	67	(E)DRS	71M4	85	467
18	2680	95.94	2920	2.7	X	FF	67	(E)DRS	71M4	98	468
19	2530	90.59	2920	2.9	X						
21	2230	79.76	2920	3.2	X						

21933480/EN-US - 04/2018

**P<sub>m</sub> = 0.75 HP**

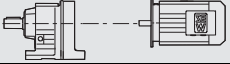

n <sub>a</sub> rpm	T <sub>a</sub> lb-in	i ratio	F <sub>Ra</sub> <sup>1)</sup> lb	SEW SF f <sub>B</sub>	HazLoc -NA®		m lbs	
11	4390	157.09	2230	1.20	X			
12	3810	136.16	2330	1.40	X			
13	3560	127.27	2370	1.50	X			
15	3070	110.01	2440	1.70	X	FA 57	(E)DRS 71M4	70 462
18	2610	93.47	2510	2.0	X	FAF 57	(E)DRS 71M4	82 461
20	2330	83.46	2550	2.3	X	F 57	(E)DRS 71M4	71 460
23	2040	72.98	2580	2.6	X	FF 57	(E)DRS 71M4	85 461
25	1900	68.22	2580	2.8	X			
29	1640	58.97	2580	3.2	X			
16	2940	105.09	1520	1.20	X			
19	2490	89.29	1620	1.40	X			
21	2230	79.72	1670	1.60	X			
25	1900	68.09	1730	1.85	X	FA 47	(E)DRS 71M4	54 455
26	1820	65.36	1740	1.95	X	FAF 47	(E)DRS 71M4	60 454
30	1580	56.49	1770	2.2	X	F 47	(E)DRS 71M4	56 453
35	1340	48.00*	1800	2.6	X	FF 47	(E)DRS 71M4	63 454
39	1190	42.86	1810	3.0	X			
29	1630	58.32	1010	1.10	X			
31	1520	54.54	1040	1.15	X			
33	1440	51.70	1070	1.20	X			
36	1310	47.02	1100	1.35	X	FA 37	(E)DRS 71M4	44 448
39	1220	43.83	1120	1.45	X	FAF 37	(E)DRS 71M4	47 447
44	1070	38.31	1110	1.65	X	F 37	(E)DRS 71M4	45 446
47	1000	35.91	1100	1.75	X	FF 37	(E)DRS 71M4	49 447
53	880	31.69	1070	2.0	X			
60	785	28.09	1040	2.2	X			
71	665	23.88	1000	2.6	X			
72	660	23.63	1000	2.7	X			
82	575	20.57	970	3.1	X	FA 37	(E)DRS 71M4	43 448
88	535	19.27	950	3.3	X	FAF 37	(E)DRS 71M4	47 447
99	475	17.03	920	3.7	X	F 37	(E)DRS 71M4	44 446
118	400	14.33	880	4.4	X	FF 37	(E)DRS 71M4	48 447
73	650	23.25	690	1.75	X			
84	560	20.15	670	2.0	X			
90	525	18.84	660	2.2	X			
104	455	16.28	640	2.5	X			
122	385	13.84	615	3.0	X			
137	345	12.35	600	3.3	X			
160	295	10.55	575	3.9	X	FA 27	(E)DRS 71M4	30 443
171	275	9.88	565	4.2	X	FAF 27	(E)DRS 71M4	31 442
180	260	9.40	555	4.4	X	F 27	(E)DRS 71M4	31 441
208	225	8.13	535	4.8	X	FF 27	(E)DRS 71M4	33 442
245	193	6.91	510	5.2	X			
274	173	6.17	495	5.6	X			
321	147	5.27	475	6.0	X			
343	138	4.93	465	6.2	X			
407	116	4.16	445	6.6	X			
421	112	8.13	440	9.7				
495	95	6.91	420	11		FA 27	DRS 71M2	30 443
555	85	6.17	405	11		FAF 27	DRS 71M2	31 442
649	73	5.27	385	12		F 27	DRS 71M2	31 441
693	68	4.93	380	12		FF 27	DRS 71M2	33 442
823	57	4.16	360	13				

**P<sub>m</sub> = 1.0 HP**

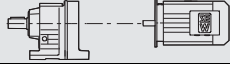

n <sub>a</sub> rpm	T <sub>a</sub> lb-in	i ratio	F <sub>Ra</sub> <sup>1)</sup> lb	SEW SF f <sub>B</sub>	HazLoc -NA®		m lbs	
0.32	157700	5404	22600	1.00	X	FA 157R97	(E)DRN 80M4	1700 511/516
0.36	138100	4831	24000	1.15	X	FAF 157R97	(E)DRN 80M4	1830 510/516
0.42	115500	4130	25200	1.40	X	F 157R97	(E)DRN 80M4	1750 509/516
0.63	81100	2780	26600	1.95	X	FF 157R97	(E)DRN 80M4	1980 510/516

21933480/EN-US - 04/2018

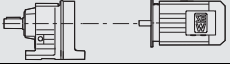



<b>P<sub>m</sub> = 1.0 HP</b>											
<b>n<sub>a</sub></b> rpm	<b>T<sub>a</sub></b> lb-in	<b>i</b> ratio	<b>F<sub>Ra</sub><sup>1)</sup></b> lb	<b>SEW SF</b> f <sub>B</sub>	<b>HazLoc</b> -NA®					<b>m</b> lbs	
<b>0.72</b>	71700	2427	26900	2.2	X						
<b>0.80</b>	63200	2185	27000	2.5	X	<b>FA</b>	<b>157R97</b>	<b>(E)DRN</b>	<b>80M4</b>	1700	511/516
<b>0.90</b>	56200	1944	27000	2.8	X	<b>FAF</b>	<b>157R97</b>	<b>(E)DRN</b>	<b>80M4</b>	1820	510/516
<b>1.1</b>	51800	1674	27000	3.1	X	<b>F</b>	<b>157R97</b>	<b>(E)DRN</b>	<b>80M4</b>	1740	509/516
<b>1.3</b>	39300	1308	27000	4.0	X	<b>FF</b>	<b>157R97</b>	<b>(E)DRN</b>	<b>80M4</b>	1980	510/516
<b>1.5</b>	34500	1169	27000	4.6	X						
<b>0.58</b>	95800	3031	20200	1.10	X	<b>FA</b>	<b>127R77</b>	<b>(E)DRN</b>	<b>80M4</b>	960	504/516
						<b>FAF</b>	<b>127R77</b>	<b>(E)DRN</b>	<b>80M4</b>	1040	503/516
						<b>F</b>	<b>127R77</b>	<b>(E)DRN</b>	<b>80M4</b>	1040	502/516
						<b>FF</b>	<b>127R77</b>	<b>(E)DRN</b>	<b>80M4</b>	1140	503/516
<b>0.66</b>	86600	2672	20200	1.20	X						
<b>0.74</b>	75600	2357	20200	1.40	X	<b>FA</b>	<b>127R77</b>	<b>(E)DRN</b>	<b>80M4</b>	950	504/516
<b>0.86</b>	65100	2038	20200	1.65	X	<b>FAF</b>	<b>127R77</b>	<b>(E)DRN</b>	<b>80M4</b>	1040	503/516
<b>0.98</b>	56600	1784	20200	1.85	X	<b>F</b>	<b>127R77</b>	<b>(E)DRN</b>	<b>80M4</b>	1040	502/516
<b>1.1</b>	50700	1606	20200	2.1	X	<b>FF</b>	<b>127R77</b>	<b>(E)DRN</b>	<b>80M4</b>	1130	503/516
<b>1.3</b>	43900	1390	20200	2.4	X						
<b>1.4</b>	38200	1220	20200	2.8	X						
<b>0.82</b>	68100	2129	11200	1.00	X						
<b>0.97</b>	57500	1813	11900	1.20	X	<b>FA</b>	<b>107R77</b>	<b>(E)DRN</b>	<b>80M4</b>	600	497/516
<b>1.1</b>	51500	1590	12200	1.35	X	<b>FAF</b>	<b>107R77</b>	<b>(E)DRN</b>	<b>80M4</b>	650	496/516
<b>1.2</b>	46300	1436	12500	1.50	X	<b>F</b>	<b>107R77</b>	<b>(E)DRN</b>	<b>80M4</b>	640	495/516
<b>1.4</b>	40500	1263	12900	1.70	X	<b>FF</b>	<b>107R77</b>	<b>(E)DRN</b>	<b>80M4</b>	700	496/516
<b>1.5</b>	38100	1193	13000	1.80	X						
<b>1.7</b>	32200	1015	13300	2.1	X						
<b>1.9</b>	29100	923	13400	2.4	X						
<b>2.2</b>	25000	800	13600	2.8	X						
<b>0.85</b>	67000	2068	11300	1.00	X						
<b>0.96</b>	57700	1826	11900	1.20	X	<b>FA</b>	<b>107R77</b>	<b>(E)DRN</b>	<b>80M4</b>	620	497/516
<b>1.1</b>	51500	1597	12200	1.30	X	<b>FAF</b>	<b>107R77</b>	<b>(E)DRN</b>	<b>80M4</b>	670	496/516
<b>1.2</b>	44900	1401	12600	1.50	X	<b>F</b>	<b>107R77</b>	<b>(E)DRN</b>	<b>80M4</b>	660	495/516
<b>1.4</b>	39200	1243	12900	1.75	X	<b>FF</b>	<b>107R77</b>	<b>(E)DRN</b>	<b>80M4</b>	720	496/516
<b>1.6</b>	35100	1087	13100	1.95	X						
<b>1.8</b>	30000	950	13400	2.3	X						
<b>2.1</b>	26100	834	13600	2.6	X						
<b>2.4</b>	22800	736	13700	3.0	X						
<b>2.7</b>	20300	640	13900	3.3	X						
<b>4.0</b>	13800	436	14100	4.9	X						
<b>1.7</b>	32900	1023	7080	1.15	X	<b>FA</b>	<b>97R57</b>	<b>(E)DRN</b>	<b>80M4</b>	410	490/516
						<b>FAF</b>	<b>97R57</b>	<b>(E)DRN</b>	<b>80M4</b>	460	489/516
						<b>F</b>	<b>97R57</b>	<b>(E)DRN</b>	<b>80M4</b>	425	488/516
						<b>FF</b>	<b>97R57</b>	<b>(E)DRN</b>	<b>80M4</b>	500	489/516
<b>1.7</b>	33800	1022	7020	1.15	X						
<b>1.9</b>	28900	898	7340	1.30	X	<b>FA</b>	<b>97R57</b>	<b>(E)DRN</b>	<b>80M4</b>	420	490/516
<b>2.2</b>	25600	784	7540	1.50	X	<b>FAF</b>	<b>97R57</b>	<b>(E)DRN</b>	<b>80M4</b>	470	489/516
<b>2.5</b>	22200	690	7730	1.70	X	<b>F</b>	<b>97R57</b>	<b>(E)DRN</b>	<b>80M4</b>	440	488/516
<b>2.9</b>	19500	605	7860	1.95	X	<b>FF</b>	<b>97R57</b>	<b>(E)DRN</b>	<b>80M4</b>	510	489/516
<b>3.3</b>	17000	529	7980	2.2	X						
<b>3.7</b>	15000	467	8080	2.5	X						
<b>4.3</b>	12900	406	8160	3.0	X						
<b>4.8</b>	11500	363	8220	3.3	X						
<b>2.0</b>	29800	892	7280	1.25	X	<b>FA</b>	<b>97R57</b>	<b>(E)DRN</b>	<b>80M4</b>	410	490/516
<b>2.3</b>	25300	760	7550	1.50	X	<b>FAF</b>	<b>97R57</b>	<b>(E)DRN</b>	<b>80M4</b>	455	489/516
<b>2.6</b>	22200	667	7730	1.70	X	<b>F</b>	<b>97R57</b>	<b>(E)DRN</b>	<b>80M4</b>	425	488/516
<b>3.1</b>	18800	569	7900	2.0	X	<b>FF</b>	<b>97R57</b>	<b>(E)DRN</b>	<b>80M4</b>	495	489/516
<b>3.4</b>	16800	510	7990	2.3	X						
<b>3.7</b>	15500	473	8050	2.5	X						
<b>4.3</b>	13100	403	8160	2.9	X						
<b>2.3</b>	24200	748	5380	1.10	X	<b>FA</b>	<b>87R57</b>	<b>(E)DRN</b>	<b>80M4</b>	275	483/516
						<b>FAF</b>	<b>87R57</b>	<b>(E)DRN</b>	<b>80M4</b>	300	482/516
						<b>F</b>	<b>87R57</b>	<b>(E)DRN</b>	<b>80M4</b>	285	481/516
						<b>FF</b>	<b>87R57</b>	<b>(E)DRN</b>	<b>80M4</b>	320	482/516

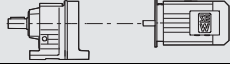

**P<sub>m</sub> = 1.0 HP**

n <sub>a</sub> rpm	T <sub>a</sub> lb-in	i ratio	F <sub>Ra</sub> <sup>1)</sup> lb	SEW SF f <sub>B</sub>	HazLoc -NA®					m lbs	
2.2	25300	780	5270	1.05	X						
2.6	21700	674	5610	1.20	X						
2.9	19700	609	5780	1.35	X	FA	87R57	(E)DRN	80M4	275	483/516
3.4	16600	515	6020	1.60	X	FAF	87R57	(E)DRN	80M4	305	482/516
3.9	14600	452	6160	1.80	X	F	87R57	(E)DRN	80M4	290	481/516
5.1	11000	345	6390	2.4	X	FF	87R57	(E)DRN	80M4	325	482/516
5.8	9510	300	6470	2.8	X						
2.6	22100	662	5570	1.20	X						
3.0	19700	592	5780	1.35	X						
3.4	17200	519	5970	1.55	X	FA	87R57	(E)DRN	80M4	270	483/516
3.8	15500	468	6100	1.70	X	FAF	87R57	(E)DRN	80M4	300	482/516
4.4	13100	398	6260	2.0	X	F	87R57	(E)DRN	80M4	285	481/516
5.0	11400	350	6360	2.3	X	FF	87R57	(E)DRN	80M4	315	482/516
5.6	10300	315	6430	2.6	X						
6.2	9170	281	6490	2.9	X						
4.8	12000	367	3730	1.10	X						
5.4	10600	323	3910	1.25	X	FA	77R37	(E)DRN	80M4	160	476/516
6.3	9190	280	4080	1.45	X	FAF	77R37	(E)DRN	80M4	175	475/516
7.1	8130	247	4180	1.65	X	F	77R37	(E)DRN	80M4	170	474/516
7.9	7240	221	4250	1.85	X	FF	77R37	(E)DRN	80M4	195	475/516
8.8	6460	199	4310	2.0	X						
6.0	9600	292	4040	1.00	X	FA	77R37	(E)DRN	80M4	160	476/516
						FAF	77R37	(E)DRN	80M4	175	475/516
						F	77R37	(E)DRN	80M4	170	474/516
						FF	77R37	(E)DRN	80M4	190	475/516
8.5	6710	205	2430	1.10	X	FA	67R37	(E)DRN	80M4	115	469/516
						FAF	67R37	(E)DRN	80M4	125	468/516
10	5710	175	2610	1.25	X	F	67R37	(E)DRN	80M4	120	467/516
						FF	67R37	(E)DRN	80M4	135	468/516
8.7	6590	200	2460	1.10	X	FA	67R37	(E)DRN	80M4	110	469/516
						FAF	67R37	(E)DRN	80M4	125	468/516
10.0	5790	176	2600	1.25	X	F	67R37	(E)DRN	80M4	115	467/516
						FF	67R37	(E)DRN	80M4	130	468/516
11	5050	155	2120	1.05	X	FA	57R37	(E)DRN	80M4	105	462/516
						FAF	57R37	(E)DRN	80M4	115	461/516
						F	57R37	(E)DRN	80M4	105	460/516
						FF	57R37	(E)DRN	80M4	120	461/516
11	5010	152	2120	1.05	X	FA	57R37	(E)DRN	80M4	105	462/516
						FAF	57R37	(E)DRN	80M4	115	461/516
13	4410	134	2230	1.20	X	F	57R37	(E)DRN	80M4	105	460/516
						FF	57R37	(E)DRN	80M4	120	461/516
4.2	14900	276.77	8080	2.5		FA	97	DRN	90S6	380	490
4.6	13700	253.41	8130	2.8		FAF	97	DRN	90S6	430	489
5.2	12100	223.88	8200	3.1		F	97	DRN	90S6	400	488
						FF	97	DRN	90S6	470	489
4.3	14600	270.68	6160	1.80							
4.6	13800	255.37	6220	1.90		FA	87	DRN	90S6	240	483
5.1	12300	228.93	6310	2.1		FAF	87	DRN	90S6	270	482
5.9	10600	197.20	6410	2.5		F	87	DRN	90S6	250	481
6.5	9730	179.97	6460	2.7		FF	87	DRN	90S6	285	482
7.3	8630	159.61	6520	3.1							
6.5	9730	270.68	6460	2.7	X	FA	87	(E)DRN	80M4	230	483
6.9	9180	255.37	6490	2.9	X	FAF	87	(E)DRN	80M4	255	482
7.7	8230	228.93	6540	3.2	X	F	87	(E)DRN	80M4	240	481
						FF	87	(E)DRN	80M4	275	482
5.9	10700	198.31	3910	1.25							
6.2	10100	188.40	3970	1.30							
7.0	9000	166.47	4100	1.45							
8.2	7690	142.27	4220	1.70		FA	77	DRN	90S6	155	476
8.9	7050	130.42	4270	1.90		FAF	77	DRN	90S6	170	475
10	6180	114.45	4330	2.1		F	77	DRN	90S6	160	474
11	5860	108.46*	4350	2.3		FF	77	DRN	90S6	185	475
12	5130	94.93	4390	2.6							
14	4620	85.52	4420	2.9							

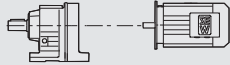

21933480/EN-US - 04/2018

<b>P<sub>m</sub> = 1.0 HP</b>											
<b>n<sub>a</sub></b> rpm	<b>T<sub>a</sub></b> lb-in	<b>i</b> ratio	<b>F<sub>Ra</sub><sup>1)</sup></b> lb	<b>SEW SF</b> f <sub>B</sub>	<b>HazLoc</b> -NA®					<b>m</b> lbs	
7.8	8120	225.79	4180	1.65	X						
8.8	7130	198.31	4260	1.85	X						
9.3	6770	188.40	4290	1.95	X	<b>FA</b>	<b>77</b>	<b>(E)DRN</b>	<b>80M4</b>	140	476
11	5980	166.47	4340	2.2	X	<b>FAF</b>	<b>77</b>	<b>(E)DRN</b>	<b>80M4</b>	155	475
12	5110	142.27	4390	2.6	X	<b>F</b>	<b>77</b>	<b>(E)DRN</b>	<b>80M4</b>	150	474
13	4690	130.42	4410	2.8	X	<b>FF</b>	<b>77</b>	<b>(E)DRN</b>	<b>80M4</b>	175	475
15	4110	114.45	4440	3.2	X						
16	3900	108.46*	4450	3.4	X						
9.7	6530	120.79	2470	1.10							
11	5890	109.04	2580	1.25							
12	5180	95.94	2690	1.40		<b>FA</b>	<b>67</b>	<b>DRN</b>	<b>90S6</b>	105	469
13	4890	90.59	2730	1.50		<b>FAF</b>	<b>67</b>	<b>DRN</b>	<b>90S6</b>	115	468
15	4310	79.76	2800	1.70		<b>F</b>	<b>67</b>	<b>DRN</b>	<b>90S6</b>	110	467
17	3650	67.65	2870	2.0		<b>FF</b>	<b>67</b>	<b>DRN</b>	<b>90S6</b>	125	468
19	3300	61.07	2900	2.2							
22	2900	53.73	2920	2.5							
23	2740	50.74	2920	2.6							
9.0	7030	195.39	2370	1.05	X						
10	6140	170.85	2540	1.20	X						
11	5840	162.31	2590	1.25	X						
12	5120	142.40	2700	1.40	X	<b>FA</b>	<b>67</b>	<b>(E)DRN</b>	<b>80M4</b>	89	469
14	4340	120.79	2800	1.65	X	<b>FAF</b>	<b>67</b>	<b>(E)DRN</b>	<b>80M4</b>	105	468
16	3920	109.04	2840	1.85	X	<b>F</b>	<b>67</b>	<b>(E)DRN</b>	<b>80M4</b>	96	467
18	3450	95.94	2890	2.1	X	<b>FF</b>	<b>67</b>	<b>(E)DRN</b>	<b>80M4</b>	110	468
19	3250	90.59	2900	2.2	X						
22	2860	79.76	2920	2.5	X						
26	2430	67.65	2920	3.0	X						
29	2190	61.07	2920	3.3	X						
12	5050	93.47	2120	1.05							
14	4510	83.46	2210	1.20							
16	3940	72.98	2310	1.35		<b>FA</b>	<b>57</b>	<b>DRN</b>	<b>90S6</b>	95	462
17	3680	68.22	2350	1.45		<b>FAF</b>	<b>57</b>	<b>DRN</b>	<b>90S6</b>	105	461
20	3180	58.97	2430	1.65		<b>F</b>	<b>57</b>	<b>DRN</b>	<b>90S6</b>	95	460
23	2700	50.10	2500	1.95		<b>FF</b>	<b>57</b>	<b>DRN</b>	<b>90S6</b>	110	461
26	2410	44.73	2530	2.2							
30	2060	38.21	2570	2.6							
33	1930	35.79	2530	2.7							
13	4890	136.16	2140	1.10	X						
14	4570	127.27	2200	1.15	X						
16	3950	110.01	2310	1.35	X						
19	3360	93.47	2400	1.60	X	<b>FA</b>	<b>57</b>	<b>(E)DRN</b>	<b>80M4</b>	81	462
21	3000	83.46	2450	1.75	X	<b>FAF</b>	<b>57</b>	<b>(E)DRN</b>	<b>80M4</b>	93	461
24	2620	72.98	2510	2.0	X	<b>F</b>	<b>57</b>	<b>(E)DRN</b>	<b>80M4</b>	81	460
26	2450	68.22	2530	2.2	X	<b>FF</b>	<b>57</b>	<b>(E)DRN</b>	<b>80M4</b>	95	461
30	2120	58.97	2570	2.5	X						
35	1800	50.10	2480	2.9	X						
39	1600	44.73	2410	3.3	X						
21	3050	56.49	1490	1.15							
24	2590	48.00*	1600	1.35		<b>FA</b>	<b>47</b>	<b>DRN</b>	<b>90S6</b>	78	455
27	2310	42.86	1660	1.55		<b>FAF</b>	<b>47</b>	<b>DRN</b>	<b>90S6</b>	83	454
32	1970	36.61	1720	1.80		<b>F</b>	<b>47</b>	<b>DRN</b>	<b>90S6</b>	79	453
34	1850	34.29	1730	1.90		<b>FF</b>	<b>47</b>	<b>DRN</b>	<b>90S6</b>	86	454
40	1560	28.88	1760	2.3							
20	3210	89.29	1440	1.10	X						
22	2860	79.72	1540	1.25	X						
26	2450	68.09	1630	1.45	X						
27	2350	65.36	1650	1.50	X	<b>FA</b>	<b>47</b>	<b>(E)DRN</b>	<b>80M4</b>	65	455
31	2030	56.49	1710	1.75	X	<b>FAF</b>	<b>47</b>	<b>(E)DRN</b>	<b>80M4</b>	71	454
36	1720	48.00*	1750	2.0	X	<b>F</b>	<b>47</b>	<b>(E)DRN</b>	<b>80M4</b>	66	453
41	1540	42.86	1760	2.3	X	<b>FF</b>	<b>47</b>	<b>(E)DRN</b>	<b>80M4</b>	73	454
48	1310	36.61	1690	2.7	X						
51	1230	34.29	1670	2.9	X						
61	1030	28.88	1600	3.4	X						

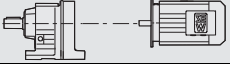

**P<sub>m</sub> = 1.0 HP**

n <sub>a</sub> rpm	T <sub>a</sub> lb-in	i ratio	F <sub>Ra</sub> <sup>1)</sup> lb	SEW SF f <sub>B</sub>	HazLoc -NA®		m lbs	
37	1710	31.69	980	1.05		FA 37	DRN 90S6	67 448
41	1510	28.09	1050	1.15		FAF 37	DRN 90S6	70 447
49	1290	23.88	1020	1.35		F 37	DRN 90S6	68 446
						FF 37	DRN 90S6	72 447
37	1690	47.02	990	1.05	X			
40	1570	43.83	1030	1.10	X			
46	1370	38.31	1030	1.30	X	FA 37	(E)DRN 80M4	54 448
49	1290	35.91	1020	1.35	X	FAF 37	(E)DRN 80M4	57 447
55	1140	31.69	1000	1.55	X	F 37	(E)DRN 80M4	55 446
62	1010	28.09	980	1.75	X	FF 37	(E)DRN 80M4	59 447
73	850	23.88	950	2.1	X			
74	850	23.63	950	2.1	X			
85	740	20.57	920	2.4	X	FA 37	(E)DRN 80M4	54 448
91	690	19.27	900	2.5	X	FAF 37	(E)DRN 80M4	57 447
103	610	17.03	880	2.9	X	F 37	(E)DRN 80M4	55 446
122	515	14.33	840	3.4	X	FF 37	(E)DRN 80M4	59 447
136	460	12.87	820	3.8	X			
75	830	23.25	640	1.35	X			
87	725	20.15	625	1.60	X			
93	675	18.84	620	1.70	X			
108	585	16.28	605	1.95	X			
127	495	13.84	585	2.3	X			
142	440	12.35	570	2.6	X			
166	375	10.55	550	3.0	X	FA 27	(E)DRN 80M4	40 443
177	355	9.88	540	3.2	X	FAF 27	(E)DRN 80M4	41 442
186	335	9.40	525	3.4	X	F 27	(E)DRN 80M4	41 441
215	290	8.13	510	3.7	X	FF 27	(E)DRN 80M4	43 442
254	245	6.91	490	4.1	X			
284	220	6.17	475	4.3	X			
332	190	5.27	455	4.7	X			
355	177	4.93	450	4.8	X			
421	150	4.16	430	5.2	X			
370	171	9.40	445	6.8				
428	147	8.13	425	7.4		FA 27	DRN 80MS2	40 443
503	125	6.91	410	8.1		FAF 27	DRN 80MS2	41 442
564	112	6.17	395	8.6		F 27	DRN 80MS2	41 441
660	95	5.27	380	9.3		FF 27	DRN 80MS2	43 442
705	89	4.93	370	9.5				
836	75	4.16	350	10				

**P<sub>m</sub> = 1.5 HP**

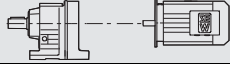

n <sub>a</sub> rpm	T <sub>a</sub> lb-in	i ratio	F <sub>Ra</sub> <sup>1)</sup> lb	SEW SF f <sub>B</sub>	HazLoc -NA®		m lbs	
0.63	126700	2780	24600	1.25	X			
0.73	112000	2427	25400	1.40	X			
0.81	99500	2185	25900	1.60	X			
0.91	88500	1944	26300	1.80	X			
1.1	79600	1674	26600	2.0	X	FA 157R97	(E)DRN 90S4	1710 511/516
1.4	61100	1308	27000	2.6	X	FAF 157R97	(E)DRN 90S4	1840 510/516
1.5	53900	1169	27000	3.0	X	F 157R97	(E)DRN 90S4	1750 509/516
1.9	42700	953	27000	3.7	X	FF 157R97	(E)DRN 90S4	1990 510/516
2.1	37100	845	27000	4.3	X			
4.0	19600	446	27000	8.1	X			
5.8	13300	302	27000	12	X			
0.86	99000	2038	20200	1.05	X			
0.99	86200	1784	20200	1.25	X			
1.1	77400	1606	20200	1.35	X	FA 127R77	(E)DRN 90S4	970 504/516
1.3	67000	1390	20200	1.60	X	FAF 127R77	(E)DRN 90S4	1050 503/516
1.4	58400	1220	20200	1.80	X	F 127R77	(E)DRN 90S4	1050 502/516
1.6	52100	1077	20200	2.0	X	FF 127R77	(E)DRN 90S4	1140 503/516
1.9	44500	930	20200	2.4	X			
2.1	39100	820	20200	2.7	X			

21933480/EN-US - 04/2018

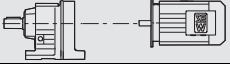

<b>P<sub>m</sub> = 1.5 HP</b>											
<b>n<sub>a</sub></b> rpm	<b>T<sub>a</sub></b> lb-in	<b>i</b> ratio	<b>F<sub>Ra</sub><sup>1)</sup></b> lb	<b>SEW SF</b> f <sub>B</sub>	<b>HazLoc</b> -NA®					<b>m</b> lbs	
1.4	61500	1263	11600	1.15	X						
1.5	57900	1193	11800	1.20	X	<b>FA</b>	<b>107R77</b>	<b>(E)DRN</b>	<b>90S4</b>	610	497/516
1.7	49100	1015	12400	1.40	X	<b>FAF</b>	<b>107R77</b>	<b>(E)DRN</b>	<b>90S4</b>	660	496/516
1.9	44400	923	12600	1.55	X	<b>F</b>	<b>107R77</b>	<b>(E)DRN</b>	<b>90S4</b>	650	495/516
2.2	38300	800	13000	1.80	X	<b>FF</b>	<b>107R77</b>	<b>(E)DRN</b>	<b>90S4</b>	710	496/516
2.5	33100	696	13200	2.1	X						
1.3	68200	1401	11200	1.00	X						
1.4	59900	1243	11700	1.15	X						
1.6	53100	1087	12100	1.30	X						
1.9	45800	950	12600	1.50	X	<b>FA</b>	<b>107R77</b>	<b>(E)DRN</b>	<b>90S4</b>	630	497/516
2.1	39900	834	12900	1.70	X	<b>FAF</b>	<b>107R77</b>	<b>(E)DRN</b>	<b>90S4</b>	680	496/516
2.4	35000	736	13100	1.95	X	<b>F</b>	<b>107R77</b>	<b>(E)DRN</b>	<b>90S4</b>	670	495/516
2.8	30900	640	13400	2.2	X	<b>FF</b>	<b>107R77</b>	<b>(E)DRN</b>	<b>90S4</b>	730	496/516
3.1	26500	560	13600	2.6	X						
3.6	23100	489	13700	2.9	X						
2.7	31900	644	13300	2.2	X	<b>FA</b>	<b>107R77</b>	<b>(E)DRN</b>	<b>90S4</b>	610	497/516
3.0	29200	591	13400	2.4	X	<b>FAF</b>	<b>107R77</b>	<b>(E)DRN</b>	<b>90S4</b>	660	496/516
3.4	25500	518	13600	2.7	X	<b>F</b>	<b>107R77</b>	<b>(E)DRN</b>	<b>90S4</b>	650	495/516
3.6	24100	491	13700	2.9	X	<b>FF</b>	<b>107R77</b>	<b>(E)DRN</b>	<b>90S4</b>	710	496/516
2.6	33600	690	7030	1.15	X						
2.9	29600	605	7300	1.30	X	<b>FA</b>	<b>97R57</b>	<b>(E)DRN</b>	<b>90S4</b>	435	490/516
3.3	25800	529	7530	1.45	X	<b>FAF</b>	<b>97R57</b>	<b>(E)DRN</b>	<b>90S4</b>	485	489/516
3.8	22700	467	7700	1.65	X	<b>F</b>	<b>97R57</b>	<b>(E)DRN</b>	<b>90S4</b>	450	488/516
4.3	19600	406	7860	1.95	X	<b>FF</b>	<b>97R57</b>	<b>(E)DRN</b>	<b>90S4</b>	520	489/516
4.8	17600	363	7960	2.2	X						
6.2	13900	285	8120	2.7	X						
2.3	38100	760	6710	1.00	X						
2.6	33400	667	7050	1.15	X						
3.1	28300	569	7380	1.35	X						
3.5	25400	510	7550	1.50	X	<b>FA</b>	<b>97R57</b>	<b>(E)DRN</b>	<b>90S4</b>	420	490/516
3.7	23400	473	7660	1.60	X	<b>FAF</b>	<b>97R57</b>	<b>(E)DRN</b>	<b>90S4</b>	470	489/516
4.4	19900	403	7850	1.90	X	<b>F</b>	<b>97R57</b>	<b>(E)DRN</b>	<b>90S4</b>	440	488/516
4.9	17800	361	7950	2.1	X	<b>FF</b>	<b>97R57</b>	<b>(E)DRN</b>	<b>90S4</b>	510	489/516
5.6	15500	317	8050	2.4	X						
6.4	13700	275	8130	2.8	X						
3.4	25200	515	5280	1.05	X	<b>FA</b>	<b>87R57</b>	<b>(E)DRN</b>	<b>90S4</b>	290	483/516
3.9	22200	452	5570	1.20	X	<b>FAF</b>	<b>87R57</b>	<b>(E)DRN</b>	<b>90S4</b>	320	482/516
5.1	16700	345	6010	1.60	X	<b>F</b>	<b>87R57</b>	<b>(E)DRN</b>	<b>90S4</b>	305	481/516
5.9	14500	300	6170	1.85	X	<b>FF</b>	<b>87R57</b>	<b>(E)DRN</b>	<b>90S4</b>	340	482/516
7.1	12000	249	6330	2.2	X						
3.4	26000	519	4900	1.00	X						
3.8	23400	468	5460	1.15	X	<b>FA</b>	<b>87R57</b>	<b>(E)DRN</b>	<b>90S4</b>	285	483/516
4.4	19800	398	5770	1.35	X	<b>FAF</b>	<b>87R57</b>	<b>(E)DRN</b>	<b>90S4</b>	310	482/516
5.0	17300	350	5960	1.55	X	<b>F</b>	<b>87R57</b>	<b>(E)DRN</b>	<b>90S4</b>	295	481/516
5.6	15600	315	6090	1.70	X	<b>FF</b>	<b>87R57</b>	<b>(E)DRN</b>	<b>90S4</b>	330	482/516
6.3	13900	281	6210	1.90	X						
7.3	11900	240	6330	2.2	X						
8.3	10400	211	6420	2.5	X						
9.1	9630	193	6470	2.8	X						
7.1	12200	247	3700	1.10	X	<b>FA</b>	<b>77R37</b>	<b>(E)DRN</b>	<b>90S4</b>	175	476/516
8.0	10900	221	3880	1.20	X	<b>FAF</b>	<b>77R37</b>	<b>(E)DRN</b>	<b>90S4</b>	190	475/516
8.9	9770	199	4020	1.35	X	<b>F</b>	<b>77R37</b>	<b>(E)DRN</b>	<b>90S4</b>	185	474/516
						<b>FF</b>	<b>77R37</b>	<b>(E)DRN</b>	<b>90S4</b>	205	475/516
4.3	22100	276.77	7730	1.70		<b>FA</b>	<b>97</b>	<b>DRN</b>	<b>112M6</b>	435	490
4.7	20200	253.41	7830	1.90		<b>FAF</b>	<b>97</b>	<b>DRN</b>	<b>112M6</b>	480	489
5.3	17800	223.88	7940	2.1		<b>F</b>	<b>97</b>	<b>DRN</b>	<b>112M6</b>	450	488
6.2	15100	189.92	8070	2.5		<b>FF</b>	<b>97</b>	<b>DRN</b>	<b>112M6</b>	520	489
6.8	13900	174.87	8120	2.7							
6.4	14800	276.77	8080	2.6	X	<b>FA</b>	<b>97</b>	<b>(E)DRN</b>	<b>90S4</b>	380	490
7.0	13500	253.41	8140	2.8	X	<b>FAF</b>	<b>97</b>	<b>(E)DRN</b>	<b>90S4</b>	430	489
7.9	12000	223.88	8200	3.2	X	<b>F</b>	<b>97</b>	<b>(E)DRN</b>	<b>90S4</b>	400	488
						<b>FF</b>	<b>97</b>	<b>(E)DRN</b>	<b>90S4</b>	470	489

21933480/EN-US - 04/2018

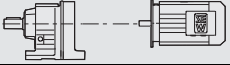

**P<sub>m</sub> = 1.5 HP**

n <sub>a</sub> rpm	T <sub>a</sub> lb-in	i ratio	F <sub>Ra</sub> <sup>1)</sup> lb	SEW SF f <sub>B</sub>	HazLoc -NA®		m lbs	
6.0	15700	197.20	6080	1.70		FA 87	DRN 112M6	290 483
6.6	14300	179.97	6180	1.85		FAF 87	DRN 112M6	320 482
7.4	12700	159.61	6280	2.1		F 87	DRN 112M6	305 481
						FF 87	DRN 112M6	340 482
6.5	14500	270.68	6170	1.85	X			
6.9	13600	255.37	6220	1.95	X			
7.7	12200	228.93	6310	2.2	X	FA 87	(E)DRN 90S4	240 483
8.9	10500	197.20	6420	2.5	X	FAF 87	(E)DRN 90S4	270 482
9.8	9650	179.97	6470	2.8	X	F 87	(E)DRN 90S4	250 481
11	8560	159.61	6530	3.1	X	FF 87	(E)DRN 90S4	285 482
13	7190	134.16	6600	3.7	X			
14	6610	123.29	6620	4.0	X			
7.8	12100	225.79	3720	1.10	X			
8.9	10600	198.31	3920	1.25	X			
9.3	10100	188.40	3980	1.30	X			
11	8920	166.47	4110	1.50	X			
12	7630	142.27	4220	1.75	X	FA 77	(E)DRN 90S4	155 476
14	6990	130.42	4270	1.90	X	FAF 77	(E)DRN 90S4	170 475
15	6130	114.45	4330	2.2	X	F 77	(E)DRN 90S4	160 474
16	5810	108.46*	4350	2.3	X	FF 77	(E)DRN 90S4	185 475
19	5090	94.93	4390	2.6	X			
21	4580	85.52	4420	2.9	X			
23	4020	75.02	4440	3.3	X			
15	6470	120.79	2480	1.10	X			
16	5840	109.04	2590	1.25	X			
18	5140	95.94	2700	1.40	X			
19	4850	90.59	2740	1.50	X			
22	4270	79.76	2800	1.70	X	FA 67	(E)DRN 90S4	105 469
26	3620	67.65	2870	2.0	X	FAF 67	(E)DRN 90S4	115 468
29	3270	61.07	2900	2.2	X	F 67	(E)DRN 90S4	110 467
33	2880	53.73	2920	2.5	X	FF 67	(E)DRN 90S4	125 468
35	2720	50.74	2920	2.7	X			
41	2310	43.20	2920	3.1	X			
45	2100	39.26	2920	3.3	X			
52	1820	34.01	2920	3.6	X			
19	5010	93.47	2120	1.05	X			
21	4470	83.46	2220	1.20	X			
24	3910	72.98	2320	1.35	X			
26	3650	68.22	2360	1.45	X	FA 57	(E)DRN 90S4	95 462
30	3160	58.97	2430	1.70	X	FAF 57	(E)DRN 90S4	105 461
35	2680	50.10	2340	2.0	X	F 57	(E)DRN 90S4	95 460
39	2390	44.73	2290	2.2	X	FF 57	(E)DRN 90S4	110 461
46	2040	38.21	2200	2.6	X			
49	1910	35.79	2170	2.8	X			
58	1610	30.15	2080	3.2	X			
51	1830	34.24	2140	2.4	X	FA 57	(E)DRN 90S4	93 462
						FAF 57	(E)DRN 90S4	105 461
						F 57	(E)DRN 90S4	94 460
						FF 57	(E)DRN 90S4	110 461
27	3500	65.36	1340	1.00	X			
31	3030	56.49	1490	1.15	X			
37	2570	48.00*	1600	1.35	X	FA 47	(E)DRN 90S4	78 455
41	2290	42.86	1620	1.55	X	FAF 47	(E)DRN 90S4	83 454
48	1960	36.61	1580	1.80	X	F 47	(E)DRN 90S4	79 453
51	1830	34.29	1560	1.90	X	FF 47	(E)DRN 90S4	86 454
61	1540	28.88	1500	2.3	X			
57	1650	30.86	1530	2.1	X			
60	1570	29.32	1510	2.2	X	FA 47	(E)DRN 90S4	76 455
68	1370	25.72	1470	2.6	X	FAF 47	(E)DRN 90S4	82 454
81	1170	21.82	1410	3.0	X	F 47	(E)DRN 90S4	78 453
89	1050	19.70	1380	3.4	X	FF 47	(E)DRN 90S4	85 454
56	1690	31.69	880	1.05	X	FA 37	(E)DRN 90S4	67 448
63	1500	28.09	870	1.15	X	FAF 37	(E)DRN 90S4	70 447
74	1280	23.88	860	1.40	X	F 37	(E)DRN 90S4	68 446
						FF 37	(E)DRN 90S4	72 447

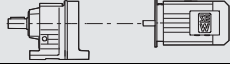

21933480/EN-US - 04/2018

<b>P<sub>m</sub> = 1.5 HP</b>										
n <sub>a</sub> rpm	T <sub>a</sub> lb-in	i ratio	F <sub>Ra</sub> <sup>1)</sup> lb	SEW SF f <sub>B</sub>	HazLoc -NA®			m lbs		
75	1260	23.63	860	1.40	X					
86	1100	20.57	840	1.60	X					
91	1030	19.27	830	1.70	X					
103	910	17.03	810	1.95	X	FA	37	(E)DRN 90S4	66	448
111	840	15.81	800	2.1	X	FAF	37	(E)DRN 90S4	70	447
123	765	14.33	790	2.3	X	F	37	(E)DRN 90S4	68	446
137	690	12.87	770	2.6	X	FF	37	(E)DRN 90S4	72	447
159	590	11.08	745	2.8	X					
169	555	10.42	735	2.9	X					
196	480	8.97	710	3.2	X					
435	215	8.01	580	6.9						
469	200	7.44	560	6.4						
517	183	6.74	545	6.8		FA	37	DRN 80M2	54	448
576	164	6.05	530	7.3		FAF	37	DRN 80M2	57	447
669	141	5.21	505	7.8		F	37	DRN 80M2	55	446
711	133	4.90	500	8.0		FF	37	DRN 80M2	59	447
826	114	4.22	475	8.5						
925	102	3.77	460	9.1						
87	1080	20.15	545	1.05	X					
94	1010	18.84	540	1.15	X					
108	870	16.28	535	1.30	X					
127	740	13.84	525	1.55	X					
143	660	12.35	520	1.75	X					
167	565	10.55	505	2.0	X	FA	27	(E)DRN 90S4	53	443
178	530	9.88	500	2.2	X	FAF	27	(E)DRN 90S4	54	442
187	500	9.40	485	2.3	X	F	27	(E)DRN 90S4	54	441
217	435	8.13	475	2.5	X	FF	27	(E)DRN 90S4	56	442
255	370	6.91	460	2.7	X					
286	330	6.17	450	2.9	X					
335	280	5.27	435	3.1	X					
357	260	4.93	425	3.2	X					
424	220	4.16	410	3.5	X					
429	220	8.13	410	4.9		FA	27	DRN 80M2	40	443
505	187	6.91	390	5.4		FAF	27	DRN 80M2	41	442
565	167	6.17	380	5.8		F	27	DRN 80M2	41	441
662	143	5.27	365	6.2		FF	27	DRN 80M2	43	442
706	134	4.93	360	6.3						
839	113	4.16	340	6.8						

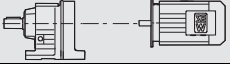

<b>P<sub>m</sub> = 2.0 HP</b>										
n <sub>a</sub> rpm	T <sub>a</sub> lb-in	i ratio	F <sub>Ra</sub> <sup>1)</sup> lb	SEW SF f <sub>B</sub>	HazLoc -NA®			m lbs		
0.73	152400	2427	23000	1.05	X					
0.81	135800	2185	24100	1.15	X					
0.91	120800	1944	24900	1.30	X					
1.1	107500	1674	25600	1.50	X	FA	157R97	(E)DRN 90L4	1710	511/516
1.4	82800	1308	26500	1.90	X	FAF	157R97	(E)DRN 90L4	1840	510/516
1.5	73300	1169	26800	2.2	X	F	157R97	(E)DRN 90L4	1760	509/516
1.9	58600	953	27000	2.7	X	FF	157R97	(E)DRN 90L4	1990	510/516
2.1	51200	845	27000	3.1	X					
4.0	27000	446	27000	5.9	X					
5.8	18300	302	27000	8.7	X					
1.1	104100	1606	20200	1.00	X					
1.3	90100	1390	20200	1.20	X					
1.4	78700	1220	20200	1.35	X					
1.6	70000	1077	20200	1.50	X	FA	127R77	(E)DRN 90L4	970	504/516
1.9	60000	930	20200	1.75	X	FAF	127R77	(E)DRN 90L4	1060	503/516
2.1	52700	820	20200	2.0	X	F	127R77	(E)DRN 90L4	1050	502/516
2.4	46500	727	20200	2.3	X	FF	127R77	(E)DRN 90L4	1150	503/516
2.7	42100	648	20200	2.5	X					
3.2	35700	549	20200	3.0	X					

**P<sub>m</sub> = 2.0 HP**

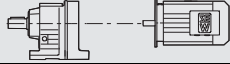

n <sub>a</sub> rpm	T <sub>a</sub> lb-in	i ratio	F <sub>Ra</sub> <sup>1)</sup> lb	SEW SF f <sub>B</sub>	HazLoc -NA®		m lbs			
1.7	66000	1015	11300	1.05	X	FA	107R77	(E)DRN 90L4	620	497/516
1.9	59800	923	11700	1.15	X	FAF	107R77	(E)DRN 90L4	670	496/516
2.2	51600	800	12200	1.35	X	F	107R77	(E)DRN 90L4	660	495/516
2.5	44700	696	12600	1.55	X	FF	107R77	(E)DRN 90L4	720	496/516
1.9	61600	950	11600	1.10	X					
2.1	53800	834	12100	1.25	X					
2.4	47300	736	12500	1.45	X	FA	107R77	(E)DRN 90L4	640	497/516
2.8	41600	640	12800	1.65	X	FAF	107R77	(E)DRN 90L4	690	496/516
3.1	35800	560	13100	1.90	X	F	107R77	(E)DRN 90L4	680	495/516
3.6	31300	489	13300	2.2	X	FF	107R77	(E)DRN 90L4	740	496/516
4.0	28300	436	13500	2.4	X					
4.8	24000	370	13700	2.8	X					
2.7	42800	644	12700	1.60	X					
3.0	39200	591	12900	1.75	X	FA	107R77	(E)DRN 90L4	620	497/516
3.4	34200	518	13200	2.0	X	FAF	107R77	(E)DRN 90L4	660	496/516
3.6	32400	491	13300	2.1	X	F	107R77	(E)DRN 90L4	650	495/516
4.1	28200	430	13500	2.5	X	FF	107R77	(E)DRN 90L4	710	496/516
4.6	25400	387	13600	2.7	X					
3.3	34500	529	6970	1.10	X					
3.8	30500	467	7240	1.25	X					
4.4	26300	406	7490	1.45	X	FA	97R57	(E)DRN 90L4	440	490/516
4.9	23600	363	7650	1.60	X	FAF	97R57	(E)DRN 90L4	490	489/516
6.2	18600	285	7910	2.0	X	F	97R57	(E)DRN 90L4	460	488/516
7.2	16000	245	8030	2.4	X	FF	97R57	(E)DRN 90L4	530	489/516
8.5	13600	208	8130	2.8	X					
9.1	12600	195	8170	3.0	X					
3.5	34000	510	7010	1.10	X					
3.7	31400	473	7180	1.20	X	FA	97R57	(E)DRN 90L4	430	490/516
4.4	26600	403	7480	1.45	X	FAF	97R57	(E)DRN 90L4	475	489/516
4.9	23900	361	7630	1.60	X	F	97R57	(E)DRN 90L4	445	488/516
5.6	20900	317	7790	1.80	X	FF	97R57	(E)DRN 90L4	520	489/516
6.4	18300	275	7920	2.1	X					
7.3	16100	242	8030	2.4	X					
5.1	22400	345	5540	1.20	X	FA	87R57	(E)DRN 90L4	300	483/516
5.9	19500	300	5800	1.35	X	FAF	87R57	(E)DRN 90L4	325	482/516
7.1	16100	249	6050	1.65	X	F	87R57	(E)DRN 90L4	310	481/516
						FF	87R57	(E)DRN 90L4	345	482/516
5.0	23200	350	5470	1.15	X					
5.6	20900	315	5680	1.25	X	FA	87R57	(E)DRN 90L4	290	483/516
6.3	18600	281	5870	1.40	X	FAF	87R57	(E)DRN 90L4	320	482/516
7.4	16000	240	6060	1.65	X	F	87R57	(E)DRN 90L4	305	481/516
8.4	14000	211	6200	1.90	X	FF	87R57	(E)DRN 90L4	340	482/516
9.2	12800	193	6280	2.1	X					
4.6	27100	254.40*	13500	2.5		FA	107	DRN 112M6	600	497
5.5	22900	215.37	13700	3.0		FAF	107	DRN 112M6	640	496
5.9	21200	199.31	13800	3.2		F	107	DRN 112M6	630	495
6.6	19000	178.64	13900	3.6		FF	107	DRN 112M6	690	496
4.3	29500	276.77	7300	1.30						
4.7	27000	253.41	7460	1.40		FA	97	DRN 112M6	435	490
5.3	23800	223.88	7640	1.60		FAF	97	DRN 112M6	480	489
6.2	20200	189.92	7830	1.90		F	97	DRN 112M6	450	488
6.8	18600	174.87	7910	2.0		FF	97	DRN 112M6	520	489
6.4	19700	276.77	7850	1.95	X	FA	97	(E)DRN 90L4	390	490
7.0	18000	253.41	7930	2.1	X	FAF	97	(E)DRN 90L4	435	489
7.9	15900	223.88	8030	2.4	X	F	97	(E)DRN 90L4	405	488
9.3	13500	189.92	8140	2.8	X	FF	97	(E)DRN 90L4	475	489
10	12400	174.87	8180	3.0	X					

21933480/EN-US - 04/2018

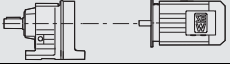



<b>P<sub>m</sub> = 2.0 HP</b>											
<b>n<sub>a</sub></b> rpm	<b>T<sub>a</sub></b> lb-in	<b>i</b> ratio	<b>F<sub>Ra</sub><sup>1)</sup></b> lb	<b>SEW SF</b> f <sub>B</sub>	<b>HazLoc</b> -NA®					<b>m</b> lbs	
6.5	19300	270.68	5810	1.40	X						
6.9	18200	255.37	5900	1.45	X						
7.7	16300	228.93	6040	1.65	X						
9.0	14000	197.20	6200	1.90	X	<b>FA</b>	<b>87</b>	<b>(E)DRN</b>	<b>90L4</b>	245	483
9.8	12800	179.97	6280	2.1	X	<b>FAF</b>	<b>87</b>	<b>(E)DRN</b>	<b>90L4</b>	275	482
11	11300	159.61	6370	2.3	X	<b>F</b>	<b>87</b>	<b>(E)DRN</b>	<b>90L4</b>	260	481
13	9560	134.16	6470	2.8	X	<b>FF</b>	<b>87</b>	<b>(E)DRN</b>	<b>90L4</b>	295	482
14	8790	123.29	6510	3.0	X						
16	7800	109.49	6560	3.4	X						
18	6980	97.89	6610	3.8	X						
11	11800	166.47	3750	1.10	X						
12	10100	142.27	3980	1.30	X						
14	9300	130.42	4070	1.45	X						
15	8160	114.45	4180	1.65	X						
16	7730	108.46*	4210	1.70	X						
19	6760	94.93	4290	1.95	X	<b>FA</b>	<b>77</b>	<b>(E)DRN</b>	<b>90L4</b>	160	476
21	6090	85.52	4330	2.2	X	<b>FAF</b>	<b>77</b>	<b>(E)DRN</b>	<b>90L4</b>	175	475
24	5350	75.02	4380	2.5	X	<b>F</b>	<b>77</b>	<b>(E)DRN</b>	<b>90L4</b>	170	474
24	5160	72.50	4390	2.6	X	<b>FF</b>	<b>77</b>	<b>(E)DRN</b>	<b>90L4</b>	190	475
27	4730	66.46	4410	2.8	X						
30	4150	58.32	4440	3.2	X						
32	3940	55.27	4450	3.4	X						
37	3440	48.37	4460	3.9	X						
41	3100	43.58	4480	4.3	X						
46	2720	38.23	4490	4.9	X						
48	2600	36.58	4490	3.8	X	<b>FA</b>	<b>77</b>	<b>(E)DRN</b>	<b>90L4</b>	155	476
56	2240	31.51	4490	5.4	X	<b>FAF</b>	<b>77</b>	<b>(E)DRN</b>	<b>90L4</b>	170	475
						<b>F</b>	<b>77</b>	<b>(E)DRN</b>	<b>90L4</b>	165	474
						<b>FF</b>	<b>77</b>	<b>(E)DRN</b>	<b>90L4</b>	190	475
18	6840	95.94	2410	1.05	X						
20	6460	90.59	2480	1.10	X						
22	5680	79.76	2620	1.30	X						
26	4820	67.65	2740	1.50	X	<b>FA</b>	<b>67</b>	<b>(E)DRN</b>	<b>90L4</b>	110	469
29	4350	61.07	2800	1.65	X	<b>FAF</b>	<b>67</b>	<b>(E)DRN</b>	<b>90L4</b>	125	468
33	3830	53.73	2850	1.90	X	<b>F</b>	<b>67</b>	<b>(E)DRN</b>	<b>90L4</b>	115	467
35	3610	50.74	2870	2.0	X	<b>FF</b>	<b>67</b>	<b>(E)DRN</b>	<b>90L4</b>	130	468
41	3080	43.20	2920	2.4	X						
45	2790	39.26	2920	2.5	X						
52	2420	34.01	2920	2.7	X						
49	2580	36.30	2920	2.8	X	<b>FA</b>	<b>67</b>	<b>(E)DRN</b>	<b>90L4</b>	110	469
55	2280	32.08	2920	3.2	X	<b>FAF</b>	<b>67</b>	<b>(E)DRN</b>	<b>90L4</b>	120	468
64	1950	27.41	2920	3.7	X	<b>F</b>	<b>67</b>	<b>(E)DRN</b>	<b>90L4</b>	115	467
70	1790	25.13	2920	4.0	X	<b>FF</b>	<b>67</b>	<b>(E)DRN</b>	<b>90L4</b>	125	468
24	5200	72.98	2090	1.00	X						
26	4860	68.22	2150	1.10	X						
30	4200	58.97	2270	1.25	X	<b>FA</b>	<b>57</b>	<b>(E)DRN</b>	<b>90L4</b>	100	462
35	3570	50.10	2210	1.50	X	<b>FAF</b>	<b>57</b>	<b>(E)DRN</b>	<b>90L4</b>	115	461
40	3190	44.73	2160	1.65	X	<b>F</b>	<b>57</b>	<b>(E)DRN</b>	<b>90L4</b>	100	460
46	2720	38.21	2100	1.95	X	<b>FF</b>	<b>57</b>	<b>(E)DRN</b>	<b>90L4</b>	115	461
49	2550	35.79	2070	2.1	X						
59	2140	30.15	1990	2.4	X						
59	2130	29.94	1990	2.3	X	<b>FA</b>	<b>57</b>	<b>(E)DRN</b>	<b>90L4</b>	100	462
62	2020	28.45	1970	2.3	X	<b>FAF</b>	<b>57</b>	<b>(E)DRN</b>	<b>90L4</b>	110	461
71	1770	24.96	1910	2.9	X	<b>F</b>	<b>57</b>	<b>(E)DRN</b>	<b>90L4</b>	100	460
						<b>FF</b>	<b>57</b>	<b>(E)DRN</b>	<b>90L4</b>	115	461
37	3420	48.00*	1370	1.05	X	<b>FA</b>	<b>47</b>	<b>(E)DRN</b>	<b>90L4</b>	84	455
41	3050	42.86	1480	1.15	X	<b>FAF</b>	<b>47</b>	<b>(E)DRN</b>	<b>90L4</b>	90	454
48	2610	36.61	1460	1.35	X	<b>F</b>	<b>47</b>	<b>(E)DRN</b>	<b>90L4</b>	86	453
52	2440	34.29	1450	1.45	X	<b>FF</b>	<b>47</b>	<b>(E)DRN</b>	<b>90L4</b>	93	454
61	2050	28.88	1410	1.70	X						

**P<sub>m</sub> = 2.0 HP**

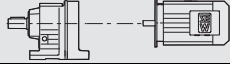

n <sub>a</sub> rpm	T <sub>a</sub> lb-in	i ratio	F <sub>Ra</sub> <sup>1)</sup> lb	SEW SF f <sub>B</sub>	HazLoc -NA®		m lbs			
57	2200	30.86	1430	1.60	X					
60	2090	29.32	1420	1.70	X					
69	1830	25.72	1390	1.95	X	FA	47	(E)DRN 90L4	83	455
81	1550	21.82	1340	2.3	X	FAF	47	(E)DRN 90L4	89	454
90	1400	19.70	1320	2.5	X	F	47	(E)DRN 90L4	85	453
102	1230	17.33	1280	2.9	X	FF	47	(E)DRN 90L4	92	454
108	1160	16.36	1260	3.0	X					
127	990	13.93	1220	3.6	X					
74	1700	23.88	770	1.05	X	FA	37	(E)DRN 90L4	74	448
						FAF	37	(E)DRN 90L4	77	447
						F	37	(E)DRN 90L4	75	446
						FF	37	(E)DRN 90L4	79	447
86	1460	20.57	765	1.20	X					
92	1370	19.27	760	1.30	X					
104	1210	17.03	750	1.45	X					
112	1120	15.81	745	1.55	X					
123	1020	14.33	735	1.75	X					
137	910	12.87	725	1.95	X					
159	790	11.08	705	2.1	X	FA	37	(E)DRN 90L4	73	448
170	740	10.42	700	2.2	X	FAF	37	(E)DRN 90L4	77	447
197	635	8.97	680	2.4	X	F	37	(E)DRN 90L4	74	446
220	570	8.01	660	2.6	X	FF	37	(E)DRN 90L4	79	447
238	530	7.44	640	2.4	X					
262	480	6.74	625	2.6	X					
292	430	6.05	610	2.8	X					
339	370	5.21	590	3.0	X					
361	345	4.90	580	3.0	X					
391	320	8.97	580	4.8						
437	285	8.01	560	5.2						
471	265	7.44	545	4.8		FA	37	DRN 90S2	66	448
520	240	6.74	530	5.1		FAF	37	DRN 90S2	70	447
579	215	6.05	515	5.5		F	37	DRN 90S2	68	446
673	187	5.21	495	5.9		FF	37	DRN 90S2	72	447
715	176	4.90	485	6.0						
831	152	4.22	465	6.4						
930	135	3.77	450	6.9						
128	980	13.84	470	1.15	X					
143	880	12.35	470	1.30	X					
167	750	10.55	465	1.55	X					
179	700	9.88	460	1.65	X					
188	670	9.40	440	1.70	X	FA	27	(E)DRN 90L4	60	443
217	575	8.13	435	1.90	X	FAF	27	(E)DRN 90L4	61	442
256	490	6.91	425	2.0	X	F	27	(E)DRN 90L4	61	441
287	435	6.17	420	2.2	X	FF	27	(E)DRN 90L4	63	442
335	375	5.27	410	2.4	X					
358	350	4.93	405	2.4	X					
425	295	4.16	390	2.6	X					
431	290	8.13	390	3.7		FA	27	DRN 90S2	53	443
507	245	6.91	375	4.1		FAF	27	DRN 90S2	54	442
568	220	6.17	365	4.3		F	27	DRN 90S2	54	441
665	189	5.27	355	4.7		FF	27	DRN 90S2	56	442
710	177	4.93	345	4.8						
843	149	4.16	335	5.2						

21933480/EN-US - 04/2018

<b>P<sub>m</sub> = 3.0 HP</b>											
<b>n<sub>a</sub></b> rpm	<b>T<sub>a</sub></b> lb-in	<b>i</b> ratio	<b>F<sub>Ra</sub><sup>1)</sup></b> lb	<b>SEW SF</b> f <sub>B</sub>	<b>HazLoc</b> -NA <sup>®</sup>					<b>m</b> lbs	
1.2	131400	1441	24400	1.20	X						
1.4	127100	1308	24600	1.25	X						
1.5	112900	1169	25300	1.40	X						
1.9	90900	953	26300	1.75	X						
2.1	79800	845	26600	2.0	X						
2.3	71500	764	26900	2.2	X	FA	157R97	(E)DRN	100LM4	1740	511/516
2.6	63600	680	27000	2.5	X	FAF	157R97	(E)DRN	100LM4	1870	510/516
3.1	53100	576	27000	3.0	X	F	157R97	(E)DRN	100LM4	1780	509/516
4.0	42100	446	27000	3.8	X	FF	157R97	(E)DRN	100LM4	2020	510/516
5.8	28500	302	27000	5.6	X						
6.5	25600	273	27000	6.2	X						
7.6	21300	232	27000	7.5	X						
9.0	18100	197	27000	8.8	X						
3.6	45900	483	20200	2.3	X	FA	127R87	(E)DRN	100LM4	1040	504/516
4.2	40200	418	20200	2.6	X	FAF	127R87	(E)DRN	100LM4	1130	503/516
4.7	35800	374	20200	3.0	X	F	127R87	(E)DRN	100LM4	1120	502/516
						FF	127R87	(E)DRN	100LM4	1220	503/516
1.6	106500	1077	20200	1.00	X						
1.9	91500	930	20200	1.15	X						
2.1	80500	820	20200	1.30	X						
2.4	71100	727	20200	1.50	X						
2.7	64000	648	20200	1.65	X	FA	127R77	(E)DRN	100LM4	1000	504/516
3.2	54200	549	20200	1.95	X	FAF	127R77	(E)DRN	100LM4	1080	503/516
3.6	48800	495	20200	2.2	X	F	127R77	(E)DRN	100LM4	1080	502/516
4.1	42200	428	20200	2.5	X	FF	127R77	(E)DRN	100LM4	1180	503/516
4.7	36900	376	20200	2.9	X						
2.5	68300	696	11200	1.00	X	FA	107R77	(E)DRN	100LM4	650	497/516
						FAF	107R77	(E)DRN	100LM4	690	496/516
						F	107R77	(E)DRN	100LM4	680	495/516
						FF	107R77	(E)DRN	100LM4	740	496/516
2.8	63300	640	11500	1.05	X						
3.1	54800	560	12000	1.25	X						
3.6	47800	489	12400	1.40	X	FA	107R77	(E)DRN	100LM4	660	497/516
4.0	43100	436	12700	1.60	X	FAF	107R77	(E)DRN	100LM4	710	496/516
4.8	36500	370	13100	1.85	X	F	107R77	(E)DRN	100LM4	700	495/516
5.3	32800	333	13300	2.1	X	FF	107R77	(E)DRN	100LM4	760	496/516
6.0	28700	291	13500	2.4	X						
6.9	25100	255	13600	2.7	X						
2.7	64900	644	11400	1.05	X						
3.0	59400	591	11700	1.15	X						
3.4	52000	518	12200	1.35	X	FA	107R77	(E)DRN	100LM4	640	497/516
3.6	49200	491	12400	1.40	X	FAF	107R77	(E)DRN	100LM4	690	496/516
4.1	43000	430	12700	1.60	X	F	107R77	(E)DRN	100LM4	680	495/516
4.5	38700	387	13000	1.80	X	FF	107R77	(E)DRN	100LM4	740	496/516
5.2	33800	340	13200	2.0	X						
5.9	29700	300	13400	2.3	X						
6.6	26300	266	13600	2.6	X						
4.8	35900	363	6870	1.05	X	FA	97R57	(E)DRN	100LM4	465	490/516
6.2	28300	285	7380	1.35	X	FAF	97R57	(E)DRN	100LM4	510	489/516
7.2	24300	245	7610	1.55	X	F	97R57	(E)DRN	100LM4	485	488/516
8.5	20600	208	7810	1.85	X	FF	97R57	(E)DRN	100LM4	560	489/516
9.0	19200	195	7880	1.95	X						
4.9	36200	361	6850	1.05	X	FA	97R57	(E)DRN	100LM4	455	490/516
5.6	31700	317	7160	1.20	X	FAF	97R57	(E)DRN	100LM4	500	489/516
6.4	27800	275	7410	1.35	X	F	97R57	(E)DRN	100LM4	470	488/516
7.3	24400	242	7610	1.55	X	FF	97R57	(E)DRN	100LM4	540	489/516
7.1	24600	249	5340	1.10	X	FA	87R57	(E)DRN	100LM4	320	483/516
						FAF	87R57	(E)DRN	100LM4	350	482/516
						F	87R57	(E)DRN	100LM4	335	481/516
						FF	87R57	(E)DRN	100LM4	370	482/516
7.3	24200	240	5380	1.10	X	FA	87R57	(E)DRN	100LM4	315	483/516
8.3	21200	211	5650	1.25	X	FAF	87R57	(E)DRN	100LM4	345	482/516
9.1	19500	193	5800	1.35	X	F	87R57	(E)DRN	100LM4	330	481/516
						FF	87R57	(E)DRN	100LM4	365	482/516

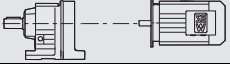

21933480/EN-US - 04/2018

**P<sub>m</sub> = 3.0 HP**



n <sub>a</sub> rpm	T <sub>a</sub> lb-in	i ratio	F <sub>Ra</sub> <sup>1)</sup> lb	SEW SF f <sub>B</sub>	HazLoc -NA®		m lbs	
4.6	40700	254.40*	12800	1.65		FA 107	DRN 132S6	620 497
5.5	34500	215.37	13200	1.95		FAF 107	DRN 132S6	670 496
5.9	31900	199.31	13300	2.1		F 107	DRN 132S6	660 495
6.6	28600	178.64	13500	2.4		FF 107	DRN 132S6	720 496
6.9	27200	254.40*	13500	2.5	X	FA 107	(E)DRN 100LM4	580 497
8.2	23100	215.37	13700	2.9	X	FAF 107	(E)DRN 100LM4	630 496
8.8	21300	199.31	13800	3.2	X	F 107	(E)DRN 100LM4	620 495
9.9	19100	178.64	13900	3.5	X	FF 107	(E)DRN 100LM4	680 496
5.3	35800	223.88	6880	1.05		FA 97	DRN 132S6	460 490
6.2	30400	189.92	7250	1.25		FAF 97	DRN 132S6	510 489
6.7	28000	174.87	7400	1.35		F 97	DRN 132S6	475 488
7.5	25000	156.30	7570	1.50		FF 97	DRN 132S6	550 489
6.4	29600	276.77	7290	1.30	X			
7.0	27100	253.41	7450	1.40	X			
7.9	24000	223.88	7630	1.60	X	FA 97	(E)DRN 100LM4	415 490
9.3	20300	189.92	7820	1.85	X	FAF 97	(E)DRN 100LM4	460 489
10	18700	174.87	7900	2.0	X	F 97	(E)DRN 100LM4	430 488
11	16700	156.30	8000	2.3	X	FF 97	(E)DRN 100LM4	500 489
13	15000	140.71	8070	2.5	X			
14	13600	127.42	8130	2.8	X			
7.7	24500	228.93	5350	1.10	X			
8.9	21100	197.20	5660	1.25	X			
9.8	19300	179.97	5810	1.35	X			
11	17100	159.61	5980	1.55	X			
13	14300	134.16	6180	1.85	X			
14	13200	123.29	6250	2.0	X	FA 87	(E)DRN 100LM4	270 483
16	11700	109.49	6350	2.3	X	FAF 87	(E)DRN 100LM4	300 482
18	10500	97.89	6270	2.5	X	F 87	(E)DRN 100LM4	285 481
20	9440	88.01	6120	2.8	X	FF 87	(E)DRN 100LM4	320 482
23	8190	76.39	5920	3.2	X			
26	7330	68.40	5760	3.6	X			
31	6080	56.75	5490	4.4	X			
35	5400	50.36	5320	4.8	X			
39	4850	45.28	5170	5.1	X			
15	12200	114.45	3690	1.10	X			
16	11600	108.46*	3790	1.15	X			
19	10100	94.93	3970	1.30	X			
21	9170	85.52	4080	1.45	X	FA 77	(E)DRN 100LM4	185 476
23	8040	75.02	4190	1.65	X	FAF 77	(E)DRN 100LM4	200 475
24	7770	72.50	4210	1.70	X	F 77	(E)DRN 100LM4	195 474
27	7120	66.46	4260	1.85	X	FF 77	(E)DRN 100LM4	215 475
30	6250	58.32	4320	2.1	X			
32	5920	55.27	4350	2.2	X			
36	5180	48.37	4390	2.6	X			
40	4670	43.58	4410	2.8	X			
48	3920	36.58	4450	2.5	X	FA 77	(E)DRN 100LM4	180 476
56	3370	31.51	4470	3.6	X	FAF 77	(E)DRN 100LM4	195 475
61	3080	28.75	4480	4.1	X	F 77	(E)DRN 100LM4	190 474
69	2730	25.50*	4490	4.8	X	FF 77	(E)DRN 100LM4	215 475
26	7250	67.65	2320	1.00	X			
29	6550	61.07	2460	1.10	X	FA 67	(E)DRN 100LM4	135 469
33	5760	53.73	2600	1.25	X	FAF 67	(E)DRN 100LM4	150 468
35	5440	50.74	2650	1.35	X	F 67	(E)DRN 100LM4	140 467
41	4630	43.20	2760	1.55	X	FF 67	(E)DRN 100LM4	155 468
45	4210	39.26	2810	1.65	X			
52	3640	34.01	2870	1.80	X			
55	3440	32.08	2890	2.1	X			
64	2940	27.41	2920	2.5	X	FA 67	(E)DRN 100LM4	130 469
70	2690	25.13	2920	2.7	X	FAF 67	(E)DRN 100LM4	145 468
80	2360	22.05	2920	3.1	X	F 67	(E)DRN 100LM4	140 467
84	2240	20.90*	2920	3.2	X	FF 67	(E)DRN 100LM4	150 468
96	1960	18.29	2920	3.7	X			
39	4790	44.73	1920	1.10	X	FA 57	(E)DRN 100LM4	125 462
46	4090	38.21	1890	1.30	X	FAF 57	(E)DRN 100LM4	140 461

21933480/EN-US - 04/2018


9


<b>P<sub>m</sub> = 3.0 HP</b>											
<b>n<sub>a</sub></b> rpm	<b>T<sub>a</sub></b> lb-in	<b>i</b> ratio	<b>F<sub>Ra</sub><sup>1)</sup></b> lb	<b>SEW SF</b> f <sub>B</sub>	<b>HazLoc</b> -NA <sup>®</sup>					<b>m</b> lbs	
<b>49</b>	3830	35.79	1880	1.40	X	<b>F</b>	<b>57</b>	<b>(E)DRN</b>	<b>100LM4</b>	125	460
<b>58</b>	3230	30.15	1830	1.60	X	<b>FF</b>	<b>57</b>	<b>(E)DRN</b>	<b>100LM4</b>	140	461
<b>71</b>	2670	24.96	1780	1.90	X	<b>FA</b>	<b>57</b>	<b>(E)DRN</b>	<b>100LM4</b>	125	462
<b>83</b>	2270	21.17	1720	2.3	X	<b>FAF</b>	<b>57</b>	<b>(E)DRN</b>	<b>100LM4</b>	135	461
<b>92</b>	2050	19.11	1680	2.6	X	<b>F</b>	<b>57</b>	<b>(E)DRN</b>	<b>100LM4</b>	125	460
<b>105</b>	1800	16.81	1640	2.9	X	<b>FF</b>	<b>57</b>	<b>(E)DRN</b>	<b>100LM4</b>	140	461
<b>111</b>	1700	15.88	1620	3.1	X						
<b>61</b>	3090	28.88	1240	1.15	X	<b>FA</b>	<b>47</b>	<b>(E)DRN</b>	<b>100LM4</b>	110	455
						<b>FAF</b>	<b>47</b>	<b>(E)DRN</b>	<b>100LM4</b>	115	454
						<b>F</b>	<b>47</b>	<b>(E)DRN</b>	<b>100LM4</b>	110	453
						<b>FF</b>	<b>47</b>	<b>(E)DRN</b>	<b>100LM4</b>	120	454
<b>68</b>	2750	25.72	1230	1.30	X						
<b>81</b>	2340	21.82	1210	1.50	X						
<b>89</b>	2110	19.70	1190	1.65	X	<b>FA</b>	<b>47</b>	<b>(E)DRN</b>	<b>100LM4</b>	105	455
<b>102</b>	1850	17.33	1170	1.90	X	<b>FAF</b>	<b>47</b>	<b>(E)DRN</b>	<b>100LM4</b>	115	454
<b>108</b>	1750	16.36	1160	2.0	X	<b>F</b>	<b>47</b>	<b>(E)DRN</b>	<b>100LM4</b>	110	453
<b>126</b>	1490	13.93	1130	2.4	X	<b>FF</b>	<b>47</b>	<b>(E)DRN</b>	<b>100LM4</b>	115	454
<b>139</b>	1350	12.66	1110	2.6	X						
<b>161</b>	1170	10.97	1080	3.0	X						
<b>197</b>	960	8.96	1010	3.0	X						
<b>123</b>	1530	14.33	630	1.15	X						
<b>137</b>	1380	12.87	625	1.30	X						
<b>159</b>	1180	11.08	625	1.40	X						
<b>169</b>	1110	10.42	620	1.45	X						
<b>196</b>	960	8.97	610	1.60	X	<b>FA</b>	<b>37</b>	<b>(E)DRN</b>	<b>100LM4</b>	98	448
<b>220</b>	850	8.01	600	1.75	X	<b>FAF</b>	<b>37</b>	<b>(E)DRN</b>	<b>100LM4</b>	100	447
<b>261</b>	720	6.74	570	1.70	X	<b>F</b>	<b>37</b>	<b>(E)DRN</b>	<b>100LM4</b>	99	446
<b>291</b>	645	6.05	560	1.85	X	<b>FF</b>	<b>37</b>	<b>(E)DRN</b>	<b>100LM4</b>	105	447
<b>338</b>	555	5.21	550	2.0	X						
<b>360</b>	525	4.90	540	2.0	X						
<b>418</b>	450	4.22	525	2.1	X						
<b>468</b>	400	3.77	515	2.3	X						
<b>474</b>	395	7.44	515	3.2							
<b>523</b>	360	6.74	500	3.4		<b>FA</b>	<b>37</b>	<b>DRN</b>	<b>90L2</b>	73	448
<b>583</b>	320	6.05	490	3.7		<b>FAF</b>	<b>37</b>	<b>DRN</b>	<b>90L2</b>	77	447
<b>676</b>	275	5.21	475	4.0		<b>F</b>	<b>37</b>	<b>DRN</b>	<b>90L2</b>	74	446
<b>719</b>	260	4.90	465	4.0		<b>FF</b>	<b>37</b>	<b>DRN</b>	<b>90L2</b>	79	447
<b>836</b>	225	4.22	450	4.3							
<b>935</b>	200	3.77	435	4.6							
<b>167</b>	1130	10.55	380	1.00	X						
<b>178</b>	1060	9.88	380	1.10	X						
<b>217</b>	870	8.13	365	1.25	X	<b>FA</b>	<b>27</b>	<b>(E)DRN</b>	<b>100LM4</b>	84	443
<b>255</b>	740	6.91	365	1.35	X	<b>FAF</b>	<b>27</b>	<b>(E)DRN</b>	<b>100LM4</b>	86	442
<b>286</b>	660	6.17	365	1.45	X	<b>F</b>	<b>27</b>	<b>(E)DRN</b>	<b>100LM4</b>	85	441
<b>335</b>	565	5.27	360	1.55	X	<b>FF</b>	<b>27</b>	<b>(E)DRN</b>	<b>100LM4</b>	87	442
<b>357</b>	525	4.93	360	1.60	X						
<b>424</b>	445	4.16	355	1.75	X						
<b>375</b>	500	9.40	360	2.3							
<b>434</b>	435	8.13	355	2.5		<b>FA</b>	<b>27</b>	<b>DRN</b>	<b>90L2</b>	60	443
<b>510</b>	370	6.91	345	2.7		<b>FAF</b>	<b>27</b>	<b>DRN</b>	<b>90L2</b>	61	442
<b>572</b>	330	6.17	340	2.9		<b>F</b>	<b>27</b>	<b>DRN</b>	<b>90L2</b>	61	441
<b>669</b>	280	5.27	330	3.1		<b>FF</b>	<b>27</b>	<b>DRN</b>	<b>90L2</b>	63	442
<b>715</b>	260	4.93	325	3.2							
<b>848</b>	220	4.16	315	3.5							

**P<sub>m</sub> = 4.0 HP**

n <sub>a</sub> rpm	T <sub>a</sub> lb-in	i ratio	F <sub>Ra</sub> <sup>1)</sup> lb	SEW SF f <sub>B</sub>	HazLoc -NA®		m lbs			
1.5	152200	1169	23000	1.05	X					
1.9	122900	953	24800	1.30	X					
2.1	108200	845	25600	1.45	X					
2.3	97200	764	26000	1.65	X					
2.6	86500	680	26400	1.85	X	FA	157R97	(E)DRN 100L4	1740	511/516
3.1	72500	576	26900	2.2	X	FAF	157R97	(E)DRN 100L4	1870	510/516
4.0	57100	446	27000	2.8	X	F	157R97	(E)DRN 100L4	1780	509/516
5.8	38700	302	27000	4.1	X	FF	157R97	(E)DRN 100L4	2020	510/516
6.5	34700	273	27000	4.6	X					
7.6	29100	232	27000	5.5	X					
9.0	24700	197	27000	6.4	X					
2.4	95600	727	20200	1.10	X	FA	127R77	(E)DRN 100L4	1000	504/516
2.7	85800	648	20200	1.25	X	FAF	127R77	(E)DRN 100L4	1080	503/516
3.2	72700	549	20200	1.45	X	F	127R77	(E)DRN 100L4	1080	502/516
3.6	65400	495	20200	1.60	X	FF	127R77	(E)DRN 100L4	1180	503/516
4.0	57700	436	11900	1.20	X	FA	107R77	(E)DRN 100L4	660	497/516
4.8	48900	370	12400	1.40	X	FAF	107R77	(E)DRN 100L4	710	496/516
5.3	44000	333	12700	1.55	X	F	107R77	(E)DRN 100L4	700	495/516
6.1	38500	291	13000	1.75	X	FF	107R77	(E)DRN 100L4	760	496/516
4.6	54400	254.40*	12100	1.25		FA	107	DRN 132S6	620	497
5.5	46000	215.37	12500	1.45		FAF	107	DRN 132S6	670	496
5.9	42600	199.31	12700	1.60		F	107	DRN 132S6	660	495
6.6	38200	178.64	13000	1.80		FF	107	DRN 132S6	720	496
6.9	36300	254.40*	13100	1.85	X	FA	107	(E)DRN 100L4	580	497
8.2	30700	215.37	13400	2.2	X	FAF	107	(E)DRN 100L4	630	496
8.8	28400	199.31	13500	2.4	X	F	107	(E)DRN 100L4	620	495
9.9	25500	178.64	13600	2.7	X	FF	107	(E)DRN 100L4	680	496
11	23000	161.28*	13700	3.0	X					
7.9	32000	223.88	7150	1.20	X					
9.3	27100	189.92	7450	1.40	X					
10	24900	174.87	7570	1.50	X					
11	22300	156.30	7720	1.70	X	FA	97	(E)DRN 100L4	415	490
13	20100	140.71	7840	1.90	X	FAF	97	(E)DRN 100L4	460	489
14	18200	127.42	7930	2.1	X	F	97	(E)DRN 100L4	430	488
16	16100	112.99	8020	2.4	X	FF	97	(E)DRN 100L4	500	489
17	14600	102.16	8090	2.6	X					
20	12800	89.85	8170	3.0	X					
13	19100	134.16	5820	1.40	X					
14	17600	123.29	5950	1.50	X					
16	15600	109.49	6050	1.70	X					
18	13900	97.89	5930	1.90	X	FA	87	(E)DRN 100L4	270	483
20	12500	88.01	5810	2.1	X	FAF	87	(E)DRN 100L4	300	482
23	10900	76.39	5650	2.4	X	F	87	(E)DRN 100L4	285	481
26	9770	68.40	5520	2.7	X	FF	87	(E)DRN 100L4	320	482
31	8110	56.75	5290	3.3	X					
35	7190	50.36	5150	3.6	X					
21	12200	85.52	3700	1.10	X					
24	10700	75.02	3910	1.25	X					
27	9500	66.46	4050	1.40	X	FA	77	(E)DRN 100L4	185	476
30	8330	58.32	4160	1.60	X	FAF	77	(E)DRN 100L4	200	475
32	7900	55.27	4200	1.70	X	F	77	(E)DRN 100L4	195	474
36	6910	48.37	4280	1.90	X	FF	77	(E)DRN 100L4	215	475
40	6220	43.58	4330	2.1	X					
46	5460	38.23	4370	2.4	X					
48	5220	36.58	4390	1.90	X	FA	77	(E)DRN 100L4	180	476
56	4500	31.51	4420	2.7	X	FAF	77	(E)DRN 100L4	195	475
61	4110	28.75	4440	3.1	X	F	77	(E)DRN 100L4	190	474
69	3640	25.50*	4460	3.6	X	FF	77	(E)DRN 100L4	215	475
82	3060	21.43	4480	4.3	X					
41	6170	43.20	2530	1.15	X	FA	67	(E)DRN 100L4	135	469
45	5610	39.26	2630	1.25	X	FAF	67	(E)DRN 100L4	150	468
52	4860	34.01	2730	1.35	X	F	67	(E)DRN 100L4	140	467
						FF	67	(E)DRN 100L4	155	468

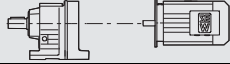

21933480/EN-US - 04/2018

<b>P<sub>m</sub> = 4.0 HP</b>										
n <sub>a</sub> rpm	T <sub>a</sub> lb-in	i ratio	F <sub>Ra</sub> <sup>1)</sup> lb	SEW SF f <sub>B</sub>	HazLoc -NA®				m lbs	
55	4580	32.08	2770	1.60	X					
64	3910	27.41	2840	1.85	X					
70	3590	25.13	2870	2.0	X	FA	67	(E)DRN 100L4	130	469
80	3150	22.05	2910	2.3	X	FAF	67	(E)DRN 100L4	145	468
84	2980	20.90*	2920	2.4	X	F	67	(E)DRN 100L4	140	467
96	2610	18.29	2920	2.8	X	FF	67	(E)DRN 100L4	150	468
107	2350	16.48	2920	3.1	X					
122	2060	14.46	2920	3.5	X					
71	3560	24.96	1640	1.45	X					
83	3020	21.17	1610	1.75	X					
92	2730	19.11	1580	1.95	X	FA	57	(E)DRN 100L4	125	462
105	2400	16.81	1550	2.2	X	FAF	57	(E)DRN 100L4	135	461
111	2260	15.88	1530	2.3	X	F	57	(E)DRN 100L4	125	460
130	1930	13.52	1480	2.8	X	FF	57	(E)DRN 100L4	140	461
144	1750	12.29	1460	3.0	X					
166	1520	10.64	1410	3.5	X					
90	2810	19.70	1070	1.25	X					
102	2470	17.33	1070	1.45	X					
108	2330	16.36	1060	1.50	X	FA	47	(E)DRN 100L4	105	455
127	1990	13.93	1040	1.80	X	FAF	47	(E)DRN 100L4	115	454
139	1810	12.66	1030	1.95	X	F	47	(E)DRN 100L4	110	453
161	1560	10.97	1010	2.3	X	FF	47	(E)DRN 100L4	115	454
197	1280	8.96	950	2.3	X					
159	1580	11.08	540	1.05	X					
169	1490	10.42	540	1.10	X					
197	1280	8.97	545	1.20	X					
220	1140	8.01	540	1.30	X	FA	37	(E)DRN 100L4	98	448
262	960	6.74	515	1.30	X	FAF	37	(E)DRN 100L4	100	447
291	860	6.05	510	1.40	X	F	37	(E)DRN 100L4	99	446
338	745	5.21	505	1.50	X	FF	37	(E)DRN 100L4	105	447
360	700	4.90	500	1.50	X					
418	600	4.22	490	1.60	X					
468	535	3.77	485	1.70	X					
317	790	11.08	525	2.1						
337	745	10.42	520	2.2						
392	640	8.97	510	2.4						
439	570	8.01	500	2.6		FA	37	DRN 100LM2	98	448
522	480	6.74	475	2.6		FAF	37	DRN 100LM2	100	447
581	430	6.05	465	2.8		F	37	DRN 100LM2	99	446
675	370	5.21	450	3.0		FF	37	DRN 100LM2	105	447
718	350	4.90	445	3.0						
834	300	4.22	430	3.2						
933	270	3.77	420	3.4						
433	580	8.13	315	1.85						
509	490	6.91	315	2.0		FA	27	DRN 100LM2	84	443
570	440	6.17	310	2.2		FAF	27	DRN 100LM2	86	442
668	375	5.27	305	2.3		F	27	DRN 100LM2	85	441
713	350	4.93	305	2.4		FF	27	DRN 100LM2	87	442
846	295	4.16	295	2.6						

<b>P<sub>m</sub> = 5.0 HP</b>										
n <sub>a</sub> rpm	T <sub>a</sub> lb-in	i ratio	F <sub>Ra</sub> <sup>1)</sup> lb	SEW SF f <sub>B</sub>	HazLoc -NA®				m lbs	
1.9	155400	953	22800	1.00	X					
2.1	137000	845	24000	1.15	X					
2.3	123300	764	24800	1.30	X					
2.6	109700	680	25500	1.45	X					
3.0	92100	576	26200	1.75	X	FA	157R97	(E)DRN 100L4	1740	511/516
3.9	72400	446	26900	2.2	X	FAF	157R97	(E)DRN 100L4	1870	510/516
5.8	49000	302	27000	3.2	X	F	157R97	(E)DRN 100L4	1780	509/516
6.4	44100	273	27000	3.6	X	FF	157R97	(E)DRN 100L4	2020	510/516
7.6	37000	232	27000	4.3	X					
8.9	31400	197	27000	5.1	X					

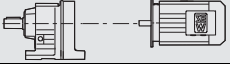

21933480/EN-US - 04/2018

**P<sub>m</sub> = 5.0 HP**



n <sub>a</sub> rpm	T <sub>a</sub> lb-in	i ratio	F <sub>Ra</sub> <sup>1)</sup> lb	SEW SF f <sub>B</sub>	HazLoc -NA®		m lbs	
3.6	78600	483	20200	1.35	X			
4.2	68500	418	20200	1.55	X			
4.7	61100	374	20200	1.75	X	FA	127R87	(E)DRN 100L4 1040 504/516
5.6	51000	312	20200	2.1	X	FAF	127R87	(E)DRN 100L4 1130 503/516
6.0	47700	293	20200	2.2	X	F	127R87	(E)DRN 100L4 1120 502/516
6.8	42000	259	20200	2.5	X	FF	127R87	(E)DRN 100L4 1220 503/516
7.9	36300	223	20200	2.9	X			
2.7	107900	648	20200	1.00		FA	127R77	(E)DRN 100L4 1000 504/516
3.2	91400	549	20200	1.15	X	FAF	127R77	(E)DRN 100L4 1080 503/516
3.5	82300	495	20200	1.30	X	F	127R77	(E)DRN 100L4 1080 502/516
4.1	71200	428	20200	1.50	X	FF	127R77	(E)DRN 100L4 1180 503/516
4.7	62400	376	20200	1.70	X			
4.8	61500	370	11600	1.10	X			
5.3	55400	333	12000	1.25	X	FA	107R77	(E)DRN 100L4 660 497/516
6.0	48400	291	12400	1.40	X	FAF	107R77	(E)DRN 100L4 710 496/516
6.9	42400	255	12800	1.60	X	F	107R77	(E)DRN 100L4 700 495/516
7.8	37300	225	13000	1.80	X	FF	107R77	(E)DRN 100L4 760 496/516
9.2	31600	190	13300	2.1	X			
4.5	65200	387	11400	1.05	X	FA	107R77	(E)DRN 100L4 640 497/516
5.2	57100	340	11900	1.20	X	FAF	107R77	(E)DRN 100L4 690 496/516
5.9	50300	300	12300	1.40	X	F	107R77	(E)DRN 100L4 680 495/516
6.6	44500	266	12600	1.55	X	FF	107R77	(E)DRN 100L4 740 496/516
8.4	34700	208	6960	1.10	X	FA	97R57	(E)DRN 100L4 465 490/516
9.0	32500	195	7110	1.15	X	FAF	97R57	(E)DRN 100L4 510 489/516
						F	97R57	(E)DRN 100L4 485 488/516
						FF	97R57	(E)DRN 100L4 560 489/516
6.9	45500	254.40*	12600	1.50	X			
8.2	38500	215.37	13000	1.75	X	FA	107	(E)DRN 100L4 580 497
8.8	35700	199.31	13100	1.90	X	FAF	107	(E)DRN 100L4 630 496
9.8	32000	178.64	13300	2.1	X	F	107	(E)DRN 100L4 620 495
11	28900	161.28*	13500	2.4	X	FF	107	(E)DRN 100L4 680 496
12	26200	146.49	13600	2.6	X			
14	23200	129.97	13700	2.9	X			
9.3	34000	189.92	7010	1.10	X			
10	31300	174.87	7190	1.20	X			
11	28000	156.30	7400	1.35	X			
12	25200	140.71	7560	1.50	X			
14	22800	127.42	7690	1.65	X	FA	97	(E)DRN 100L4 415 490
16	20200	112.99	7830	1.90	X	FAF	97	(E)DRN 100L4 460 489
17	18300	102.16	7920	2.1	X	F	97	(E)DRN 100L4 430 488
18	17400	97.58	7960	2.2	X	FF	97	(E)DRN 100L4 500 489
20	16100	89.85	8030	2.4	X			
20	15500	86.59	8050	2.5	X			
22	14300	80.31	8100	2.6	X			
24	12900	72.29	8160	2.9	X			
13	24000	134.16	5400	1.10	X			
14	22000	123.29	5580	1.20	X			
16	19600	109.49	5660	1.35	X	FA	87	(E)DRN 100L4 270 483
18	17500	97.89	5590	1.50	X	FAF	87	(E)DRN 100L4 300 482
20	15700	88.01	5510	1.70	X	F	87	(E)DRN 100L4 285 481
23	13600	76.39	5390	1.95	X	FF	87	(E)DRN 100L4 320 482
26	12200	68.40	5280	2.2	X			
31	10100	56.75	5100	2.6	X			
35	9020	50.36	4970	2.9	X			
23	13400	75.02	3500	1.00				
24	12900	72.50	3580	1.00	X			
26	11900	66.46	3750	1.10	X			
30	10400	58.32	3940	1.25	X			
32	9900	55.27	4000	1.35	X	FA	77	(E)DRN 100L4 185 476
36	8660	48.37	4130	1.55	X	FAF	77	(E)DRN 100L4 200 475
40	7800	43.58	4210	1.70	X	F	77	(E)DRN 100L4 195 474
46	6850	38.23	4280	1.95	X	FF	77	(E)DRN 100L4 215 475
52	6040	33.74	4340	2.2	X			
59	5350	29.91	4380	2.5	X			
69	4570	25.54	4420	2.8	X			

21933480/EN-US - 04/2018

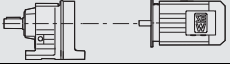



P <sub>m</sub> = 5.0 HP											
n <sub>a</sub> rpm	T <sub>a</sub> lb-in	i ratio	F <sub>Ra</sub> <sup>1)</sup> lb	SEW SF f <sub>B</sub>	HazLoc -NA®					m lbs	
48	6550	36.58	4300	1.50	X	FA	77	(E)DRN	100L4	180	476
56	5640	31.51	4360	2.2	X	FAF	77	(E)DRN	100L4	195	475
61	5150	28.75	4390	2.5	X	F	77	(E)DRN	100L4	190	474
69	4560	25.50*	4420	2.9	X	FF	77	(E)DRN	100L4	215	475
82	3840	21.43	4450	3.5	X						
45	7030	39.26	2370	1.00		FA	67	(E)DRN	100L4	135	469
52	6090	34.01	2550	1.05	X	FAF	67	(E)DRN	100L4	150	468
						F	67	(E)DRN	100L4	140	467
						FF	67	(E)DRN	100L4	155	468
55	5740	32.08	2610	1.25	X						
64	4910	27.41	2730	1.50	X						
70	4500	25.13	2780	1.60	X	FA	67	(E)DRN	100L4	130	469
80	3950	22.05	2840	1.85	X	FAF	67	(E)DRN	100L4	145	468
84	3740	20.90*	2860	1.95	X	F	67	(E)DRN	100L4	140	467
96	3270	18.29	2900	2.2	X	FF	67	(E)DRN	100L4	150	468
107	2950	16.48	2920	2.5	X						
122	2590	14.46	2920	2.8	X						
194	1620	9.08	2790	2.9	X						
70	4470	24.96	1510	1.15	X						
83	3790	21.17	1490	1.40	X						
92	3420	19.11	1480	1.55	X						
105	3010	16.81	1460	1.75	X	FA	57	(E)DRN	100L4	125	462
111	2840	15.88	1450	1.85	X	FAF	57	(E)DRN	100L4	135	461
130	2420	13.52	1410	2.2	X	F	57	(E)DRN	100L4	125	460
143	2200	12.29	1390	2.4	X	FF	57	(E)DRN	100L4	140	461
165	1900	10.64	1350	2.8	X						
189	1660	9.31	1290	2.2	X						
215	1460	8.19	1260	2.5	X						
227	1380	7.73	1240	2.7	X						
89	3520	19.70	950	1.00	X						
101	3100	17.33	960	1.15	X						
107	2930	16.36	960	1.20	X						
126	2490	13.93	960	1.40	X	FA	47	(E)DRN	100L4	105	455
139	2260	12.66	950	1.55	X	FAF	47	(E)DRN	100L4	115	454
160	1960	10.97	940	1.80	X	F	47	(E)DRN	100L4	110	453
196	1600	8.96	890	1.80	X	FF	47	(E)DRN	100L4	115	454
223	1410	7.88	880	2.4	X						
236	1330	7.44*	870	2.5	X						
278	1130	6.34	850	2.7	X						
305	1030	5.76	840	2.9	X						
219	1430	8.01	480	1.05	X						
261	1200	6.74	460	1.05	X	FA	37	(E)DRN	100L4	98	448
291	1080	6.05	460	1.10	X	FAF	37	(E)DRN	100L4	100	447
337	930	5.21	460	1.20	X	F	37	(E)DRN	100L4	99	446
359	870	4.90	460	1.20	X	FF	37	(E)DRN	100L4	105	447
417	755	4.22	455	1.30	X						
467	675	3.77	455	1.40	X						
438	715	8.01	470	2.1		FA	37	DRN	100L2	98	448
521	605	6.74	445	2.0		FAF	37	DRN	100L2	100	447
580	540	6.05	440	2.2		F	37	DRN	100L2	99	446
673	465	5.21	430	2.4		FF	37	DRN	100L2	105	447
716	440	4.90	425	2.4							
832	375	4.22	415	2.6							
931	335	3.77	405	2.8							
423	740	4.16	280	1.05	X	FA	27	(E)DRN	100L4	84	443
						FAF	27	(E)DRN	100L4	86	442
						F	27	(E)DRN	100L4	85	441
						FF	27	(E)DRN	100L4	87	442
432	725	8.13	280	1.50		FA	27	DRN	100L2	84	443
508	620	6.91	285	1.65		FAF	27	DRN	100L2	86	442
569	550	6.17	285	1.75		F	27	DRN	100L2	85	441
666	470	5.27	280	1.85		FF	27	DRN	100L2	87	442
711	440	4.93	280	1.90							
844	370	4.16	275	2.1							



**P<sub>m</sub> = 5.4 HP**

n <sub>a</sub> rpm	T <sub>a</sub> lb-in	i ratio	F <sub>Ra</sub> <sup>1)</sup> lb	SEW SF f <sub>B</sub>	HazLoc -NA®		m lbs	
2.1	147400	845	23400	1.10	X			
2.3	132700	764	24300	1.20	X			
2.6	118000	680	25100	1.35	X			
3.1	99300	576	25900	1.60	X	FA	157R97	(E)DRN 112M4 1760 511/516
4.0	77900	446	26700	2.0	X	FAF	157R97	(E)DRN 112M4 1890 510/516
5.8	52700	302	27000	3.0	X	F	157R97	(E)DRN 112M4 1800 509/516
6.5	47400	273	27000	3.4	X	FF	157R97	(E)DRN 112M4 2040 510/516
7.6	39900	232	27000	4.0	X			
9.0	33800	197	27000	4.7	X			
3.7	84600	483	20200	1.25	X			
4.2	73600	418	20200	1.45	X	FA	127R87	(E)DRN 112M4 1060 504/516
4.7	65700	374	20200	1.60	X	FAF	127R87	(E)DRN 112M4 1150 503/516
5.7	54800	312	20200	1.95	X	F	127R87	(E)DRN 112M4 1140 502/516
6.0	51300	293	20200	2.1	X	FF	127R87	(E)DRN 112M4 1240 503/516
6.8	45200	259	20200	2.3	X			
7.9	39100	223	20200	2.7	X			
3.2	98200	549	20200	1.10	X	FA	127R77	(E)DRN 112M4 1020 504/516
3.6	88400	495	20200	1.20	X	FAF	127R77	(E)DRN 112M4 1100 503/516
4.1	76500	428	20200	1.40	X	F	127R77	(E)DRN 112M4 1100 502/516
4.7	67000	376	20200	1.60	X	FF	127R77	(E)DRN 112M4 1200 503/516
4.8	66100	370	11300	1.05	X			
5.3	59500	333	11700	1.15	X	FA	107R77	(E)DRN 112M4 680 497/516
6.1	52000	291	12200	1.30	X	FAF	107R77	(E)DRN 112M4 730 496/516
6.9	45500	255	12600	1.50	X	F	107R77	(E)DRN 112M4 720 495/516
7.8	40100	225	12900	1.70	X	FF	107R77	(E)DRN 112M4 780 496/516
9.3	33900	190	13200	2.0	X			
5.2	61400	340	11600	1.15	X	FA	107R77	(E)DRN 112M4 660 497/516
5.9	54100	300	12100	1.30	X	FAF	107R77	(E)DRN 112M4 710 496/516
6.7	47800	266	12400	1.45	X	F	107R77	(E)DRN 112M4 700 495/516
						FF	107R77	(E)DRN 112M4 760 496/516
8.5	37300	208	6770	1.00	X	FA	97R57	(E)DRN 112M4 485 490/516
9.1	34900	195	6940	1.10	X	FAF	97R57	(E)DRN 112M4 540 489/516
						F	97R57	(E)DRN 112M4 500 488/516
						FF	97R57	(E)DRN 112M4 580 489/516
7.0	48900	254.40*	12400	1.40	X			
8.2	41400	215.37	12800	1.65	X			
8.9	38300	199.31	13000	1.75	X			
9.9	34300	178.64	13200	2.0	X	FA	107	(E)DRN 112M4 600 497
11	31000	161.28*	13400	2.2	X	FAF	107	(E)DRN 112M4 640 496
12	28100	146.49	13500	2.4	X	F	107	(E)DRN 112M4 630 495
14	24900	129.97	13600	2.7	X	FF	107	(E)DRN 112M4 690 496
15	22600	117.94	13800	3.0	X			
17	19400	101.38*	13900	3.5	X			
9.3	36500	189.92	6830	1.05	X			
10	33600	174.87	7040	1.15	X			
11	30000	156.30	7270	1.25	X			
13	27000	140.71	7460	1.40	X			
14	24500	127.42	7600	1.55	X			
16	21700	112.99	7750	1.75	X	FA	97	(E)DRN 112M4 435 490
17	19600	102.16	7860	1.95	X	FAF	97	(E)DRN 112M4 480 489
18	18700	97.58	7900	2.0	X	F	97	(E)DRN 112M4 450 488
20	17200	89.85	7970	2.2	X	FF	97	(E)DRN 112M4 520 489
20	16600	86.59	8000	2.3	X			
22	15400	80.31	8060	2.5	X			
24	13900	72.29	8120	2.7	X			
27	12500	65.47	8030	3.0	X			

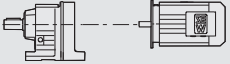

21933480/EN-US - 04/2018

<b>P<sub>m</sub> = 5.4 HP</b>										
<b>n<sub>a</sub></b> rpm	<b>T<sub>a</sub></b> lb-in	<b>i</b> ratio	<b>F<sub>Ra</sub><sup>1)</sup></b> lb	<b>SEW SF</b> f <sub>B</sub>	<b>HazLoc</b> -NA®				<b>m</b> lbs	
13	25800	134.16	5100	1.05	X					
14	23700	123.29	5430	1.10	X					
16	21000	109.49	5510	1.25	X					
18	18800	97.89	5450	1.40	X	FA	87	(E)DRN	112M4	290 483
20	16900	88.01	5380	1.55	X	FAF	87	(E)DRN	112M4	320 482
23	14600	76.39	5270	1.80	X	F	87	(E)DRN	112M4	305 481
26	13100	68.40	5180	2.0	X	FF	87	(E)DRN	112M4	340 482
31	10900	56.75	5010	2.4	X					
35	9680	50.36	4900	2.7	X					
39	8700	45.28	4790	2.9	X					
27	12700	66.46	3610	1.05	X					
30	11200	58.32	3840	1.20	X					
32	10600	55.27	3920	1.25	X					
37	9300	48.37	4070	1.45	X	FA	77	(E)DRN	112M4	205 476
41	8380	43.58	4160	1.60	X	FAF	77	(E)DRN	112M4	220 475
46	7350	38.23	4250	1.80	X	F	77	(E)DRN	112M4	215 474
52	6480	33.74	4310	2.0	X	FF	77	(E)DRN	112M4	235 475
59	5750	29.91	4360	2.3	X					
69	4910	25.54	4400	2.6	X					
56	6050	31.51	4340	2.0	X	FA	77	(E)DRN	112M4	200 476
62	5530	28.75	4370	2.3	X	FAF	77	(E)DRN	112M4	215 475
69	4900	25.50*	4400	2.7	X	F	77	(E)DRN	112M4	210 474
83	4120	21.43	4440	3.2	X	FF	77	(E)DRN	112M4	235 475
90	3780	19.70	4450	3.5	X					
52	6540	34.01	2470	1.00	X	FA	67	(E)DRN	112M4	155 469
						FAF	67	(E)DRN	112M4	170 468
						F	67	(E)DRN	112M4	160 467
						FF	67	(E)DRN	112M4	175 468
65	5270	27.41	2680	1.40	X					
70	4830	25.13	2740	1.50	X					
80	4240	22.05	2810	1.70	X					
85	4010	20.90*	2830	1.80	X					
97	3510	18.29	2880	2.1	X					
107	3160	16.48	2910	2.3	X					
122	2780	14.46	2920	2.6	X					
139	2450	12.76	2920	3.0	X	FA	67	(E)DRN	112M4	155 469
156	2170	11.31	2920	3.3	X	FAF	67	(E)DRN	112M4	165 468
183	1850	9.66	2850	3.9	X	F	67	(E)DRN	112M4	160 467
195	1740	9.08	2770	2.7	X	FF	67	(E)DRN	112M4	170 468
206	1650	8.60	2730	3.0	X					
235	1440	7.53	2640	3.7	X					
261	1300	6.78	2580	4.2	X					
297	1140	5.95	2490	4.7	X					
337	1000	5.25	2420	5.2	X					
380	890	4.66	2340	5.5	X					
445	760	3.97	2250	5.8	X					
84	4070	21.17	1450	1.30	X					
93	3670	19.11	1440	1.45	X					
105	3230	16.81	1420	1.65	X					
111	3050	15.88	1410	1.75	X					
131	2590	13.52	1380	2.0	X					
144	2360	12.29	1360	2.2	X	FA	57	(E)DRN	112M4	145 462
166	2040	10.64	1330	2.6	X	FAF	57	(E)DRN	112M4	160 461
190	1790	9.31	1270	2.1	X	F	57	(E)DRN	112M4	145 460
216	1570	8.19	1240	2.4	X	FF	57	(E)DRN	112M4	160 461
229	1480	7.73	1220	2.5	X					
269	1260	6.58	1180	2.9	X					
296	1150	5.98	1160	3.2	X					
341	990	5.18	1120	3.7	X					
382	890	9.31	1090	4.2		FA	57	DRN	112M2	145 462
434	780	8.19	1060	4.7		FAF	57	DRN	112M2	160 461
459	740	7.73	1040	5.0		F	57	DRN	112M2	145 460
539	630	6.58	1000	5.9		FF	57	DRN	112M2	160 461
594	570	5.98	980	6.5						
685	495	5.18	940	7.4						



**P<sub>m</sub> = 7.5 HP**

n <sub>a</sub> rpm	T <sub>a</sub> lb-in	i ratio	F <sub>Ra</sub> <sup>1)</sup> lb	SEW SF f <sub>B</sub>	HazLoc -NA®		m lbs	
3.1	139900	576	23900	1.15	X			
3.5	121500	503	24900	1.30	X			
4.0	109400	446	25500	1.45	X			
5.0	85000	353	26500	1.85	X	FA	157R97	(E)DRN 132S4 1780 511/516
5.8	74000	302	26800	2.1	X	FAF	157R97	(E)DRN 132S4 1910 510/516
6.5	66700	273	27000	2.4	X	F	157R97	(E)DRN 132S4 1830 509/516
7.6	56200	232	27000	2.8	X	FF	157R97	(E)DRN 132S4 2060 510/516
8.7	48800	202	27000	3.3	X			
9.0	47700	197	27000	3.3	X			
4.2	103100	418	20200	1.05	X			
4.7	92100	374	20200	1.15	X			
5.7	76800	312	20200	1.40	X	FA	127R87	(E)DRN 132S4 1090 504/516
6.0	72000	293	20200	1.45	X	FAF	127R87	(E)DRN 132S4 1170 503/516
6.8	63500	259	20200	1.65	X	F	127R87	(E)DRN 132S4 1170 502/516
7.9	54800	223	20200	1.95	X	FF	127R87	(E)DRN 132S4 1270 503/516
8.9	48500	198	20200	2.2	X			
11	40700	166	20200	2.6	X			
4.1	106700	428	20200	1.00		FA	127R77	(E)DRN 132S4 1040 504/516
4.7	93500	376	20200	1.15	X	FAF	127R77	(E)DRN 132S4 1130 503/516
						F	127R77	(E)DRN 132S4 1120 502/516
						FF	127R77	(E)DRN 132S4 1220 503/516
6.9	63600	255	11500	1.05	X	FA	107R77	(E)DRN 132S4 710 497/516
7.8	56000	225	12000	1.20	X	FAF	107R77	(E)DRN 132S4 760 496/516
9.3	47400	190	12500	1.45	X	F	107R77	(E)DRN 132S4 750 495/516
						FF	107R77	(E)DRN 132S4 810 496/516
6.7	66800	266	11300	1.05	X	FA	107R77	(E)DRN 132S4 690 497/516
						FAF	107R77	(E)DRN 132S4 730 496/516
						F	107R77	(E)DRN 132S4 720 495/516
						FF	107R77	(E)DRN 132S4 790 496/516
10	45600	170.83	20200	2.3	X	FA	127	(E)DRN 132S4 960 504
12	41000	153.67*	20200	2.6	X	FAF	127	(E)DRN 132S4 1040 503
						F	127	(E)DRN 132S4 1040 502
						FF	127	(E)DRN 132S4 1140 503
7.0	67900	254.40*	11200	1.00	X			
8.2	57500	215.37	11900	1.20	X			
8.9	53200	199.31	12100	1.30	X			
9.9	47700	178.64	12500	1.40	X			
11	43100	161.28*	12700	1.60	X	FA	107	(E)DRN 132S4 620 497
12	39100	146.49	12900	1.75	X	FAF	107	(E)DRN 132S4 670 496
14	34700	129.97	13200	1.95	X	F	107	(E)DRN 132S4 660 495
15	31500	117.94	13300	2.2	X	FF	107	(E)DRN 132S4 720 496
17	27000	101.38*	13500	2.5	X			
19	24700	92.47*	13700	2.8	X			
20	23600	88.49	13700	2.9	X			
21	22400	83.99	13800	3.0	X			
13	37600	140.71	6750	1.00	X			
14	34000	127.42	7010	1.10	X			
16	30200	112.99	7260	1.25	X			
17	27300	102.16	7440	1.40	X			
18	26000	97.58	7510	1.45	X			
20	24000	89.85	7630	1.60	X	FA	97	(E)DRN 132S4 460 490
20	23100	86.59	7680	1.65	X	FAF	97	(E)DRN 132S4 510 489
22	21400	80.31	7770	1.75	X	F	97	(E)DRN 132S4 475 488
23	20200	75.63	7810	1.90	X	FF	97	(E)DRN 132S4 550 489
24	19300	72.29	7740	1.95	X			
27	17400	65.47	7600	2.2	X			
30	15500	58.06	7420	2.5	X			
34	14000	52.49	7260	2.7	X			
41	11500	43.28	6950	2.4	X	FA	97	(E)DRN 132S4 445 490
48	9790	36.64	6670	2.8	X	FAF	97	(E)DRN 132S4 495 489
						F	97	(E)DRN 132S4 460 488
						FF	97	(E)DRN 132S4 530 489

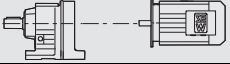

21933480/EN-US - 04/2018

P <sub>m</sub> = 7.5 HP										
n <sub>a</sub> rpm	T <sub>a</sub> lb-in	i ratio	F <sub>Ra</sub> <sup>1)</sup> lb	SEW SF f <sub>B</sub>	HazLoc -NA®			m lbs		
18	26100	97.89	4730	1.00	X					
20	23500	88.01	4730	1.15	X					
23	20400	76.39	4710	1.30	X					
26	18200	68.40	4680	1.45	X	FA	87	(E)DRN	132S4	320 483
31	15100	56.75	4600	1.75	X	FAF	87	(E)DRN	132S4	345 482
35	13400	50.36	4530	1.95	X	F	87	(E)DRN	132S4	330 481
39	12100	45.28	4460	2.1	X	FF	87	(E)DRN	132S4	365 482
45	10500	39.30	4350	2.3	X					
50	9400	35.19	4270	2.5	X					
61	7800	29.20	4110	2.9	X					
52	9060	33.92	4240	2.5	X	FA	87	(E)DRN	132S4	310 483
61	7690	28.78	4100	2.8	X	FAF	87	(E)DRN	132S4	340 482
67	7080	26.50	4020	3.8	X	F	87	(E)DRN	132S4	325 481
75	6320	23.68	3930	4.2	X	FF	87	(E)DRN	132S4	360 482
37	12900	48.37	3590	1.05	X					
41	11600	43.58	3780	1.15	X	FA	77	(E)DRN	132S4	230 476
46	10200	38.23	3970	1.30	X	FAF	77	(E)DRN	132S4	245 475
52	9010	33.74	4100	1.45	X	F	77	(E)DRN	132S4	240 474
59	7990	29.91	4190	1.65	X	FF	77	(E)DRN	132S4	260 475
69	6820	25.54	4280	1.90	X					
69	6810	25.50*	4290	1.95	X					
82	5720	21.43	4360	2.3	X	FA	77	(E)DRN	132S4	230 476
90	5260	19.70	4380	2.5	X	FAF	77	(E)DRN	132S4	240 475
101	4670	17.49	4330	2.8	X	F	77	(E)DRN	132S4	235 474
113	4180	15.64*	4220	3.2	X	FF	77	(E)DRN	132S4	260 475
126	3750	14.06	4110	3.5	X					
145	3260	12.20	3970	4.1	X					
80	5890	22.05	2580	1.25	X					
85	5580	20.90*	2630	1.30	X					
97	4880	18.29	2730	1.50	X					
107	4400	16.48	2790	1.65	X					
122	3860	14.46	2850	1.90	X					
139	3400	12.76	2890	2.1	X					
156	3020	11.31	2860	2.4	X	FA	67	(E)DRN	132S4	180 469
183	2580	9.66	2770	2.8	X	FAF	67	(E)DRN	132S4	190 468
195	2420	9.08	2670	1.95	X	F	67	(E)DRN	132S4	185 467
206	2290	8.60	2640	2.2	X	FF	67	(E)DRN	132S4	200 468
235	2010	7.53	2560	2.7	X					
261	1810	6.78	2500	3.0	X					
297	1590	5.95	2430	3.4	X					
337	1400	5.25	2360	3.7	X					
380	1240	4.66	2290	4.0	X					
445	1060	3.97	2200	4.2	X					
105	4490	16.81	1230	1.20	X					
111	4240	15.88	1230	1.25	X					
131	3610	13.52	1230	1.45	X					
144	3280	12.29	1220	1.60	X	FA	57	(E)DRN	132S4	170 462
166	2840	10.64	1210	1.85	X	FAF	57	(E)DRN	132S4	185 461
216	2180	8.19	1130	1.70	X	F	57	(E)DRN	132S4	170 460
229	2060	7.73	1130	1.80	X	FF	57	(E)DRN	132S4	185 461
269	1750	6.58	1100	2.1	X					
295	1590	5.98	1080	2.3	X					
341	1380	5.18	1060	2.6	X					
433	1090	8.19	1010	3.4	X	FA	57	DRN	132S2	170 462
458	1030	7.73	1000	3.6	X	FAF	57	DRN	132S2	185 461
538	870	6.58	960	4.2	X	F	57	DRN	132S2	170 460
592	795	5.98	940	4.7	X	FF	57	DRN	132S2	185 461
684	690	5.18	910	5.3	X					

**P<sub>m</sub> = 10.0 HP**



n <sub>a</sub> rpm	T <sub>a</sub> lb-in	i ratio	F <sub>Ra</sub> <sup>1)</sup> lb	SEW SF f <sub>B</sub>	HazLoc -NA®		m lbs			
4.0	146300	446	23400	1.10	X					
5.0	114200	353	25300	1.40	X	FA	157R97	(E)DRN 132M4	1820	511/516
5.9	99000	302	25900	1.60	X	FAF	157R97	(E)DRN 132M4	1950	510/516
6.5	89300	273	26300	1.80	X	F	157R97	(E)DRN 132M4	1870	509/516
7.7	75400	232	26800	2.1	X	FF	157R97	(E)DRN 132M4	2100	510/516
8.8	65500	202	27000	2.4	X					
9.0	63900	197	27000	2.5	X					
5.7	102600	312	20200	1.05	X					
6.0	96200	293	20200	1.10	X	FA	127R87	(E)DRN 132M4	1130	504/516
6.9	84900	259	20200	1.25	X	FAF	127R87	(E)DRN 132M4	1210	503/516
7.9	73300	223	20200	1.45	X	F	127R87	(E)DRN 132M4	1210	502/516
9.0	64800	198	20200	1.65	X	FF	127R87	(E)DRN 132M4	1310	503/516
11	54500	166	20200	1.95	X					
9.3	63100	190	11500	1.10	X	FA	107R77	(E)DRN 132M4	750	497/516
						FAF	107R77	(E)DRN 132M4	800	496/516
						F	107R77	(E)DRN 132M4	790	495/516
						FF	107R77	(E)DRN 132M4	850	496/516
4.4	142500	267.43	23700	1.10						
5.4	116000	217.62*	25200	1.35						
6.6	94900	178.20*	26100	1.70						
7.2	86800	162.96	26400	1.85						
8.3	75500	141.80*	26800	2.1		FA	157	DRN 160M6	1630	511
9.4	66700	125.14	27000	2.4		FAF	157	DRN 160M6	1760	510
11	57800	108.49	27000	2.8		F	157	DRN 160M6	1680	509
12	51400	96.53*	27000	3.1		FF	157	DRN 160M6	1910	510
14	45700	85.80*	27000	3.5						
15	41800	78.46	27000	3.8						
17	36300	68.28*	27000	4.4						
20	32100	60.25	26400	5.0						
23	27800	52.24	25400	5.7						
6.9	91000	170.83	20200	1.15		FA	127	DRN 160M6	1070	504
7.7	81900	153.67*	20200	1.30		FAF	127	DRN 160M6	1150	503
9.4	66800	125.37	20200	1.60		F	127	DRN 160M6	1150	502
10	60900	114.34	20200	1.75		FF	127	DRN 160M6	1250	503
10	60600	170.83	20200	1.75	X	FA	127	(E)DRN 132M4	980	504
12	54500	153.67*	20200	1.95	X	FAF	127	(E)DRN 132M4	1070	503
14	44500	125.37	20200	2.4	X	F	127	(E)DRN 132M4	1060	502
16	40600	114.34	20200	2.6	X	FF	127	(E)DRN 132M4	1160	503
9.9	63400	178.64	11500	1.05	X					
11	57200	161.28*	11900	1.20	X					
12	52000	146.49	12200	1.30	X					
14	46100	129.97	12500	1.45	X					
15	41800	117.94	12800	1.60	X	FA	107	(E)DRN 132M4	660	497
18	36000	101.38*	13100	1.90	X	FAF	107	(E)DRN 132M4	710	496
19	32800	92.47*	13300	2.1	X	F	107	(E)DRN 132M4	700	495
20	31400	88.49	13300	2.2	X	FF	107	(E)DRN 132M4	760	496
21	29800	83.99	13400	2.3	X					
24	26400	74.52	13600	2.6	X					
26	24000	67.62	13300	2.8	X					
17	36200	102.16	6850	1.05	X					
18	34600	97.58	6960	1.10	X					
20	31900	89.85	7150	1.20	X					
20	30700	86.59	7230	1.25	X					
22	28500	80.31	7250	1.35	X					
23	26800	75.63	7200	1.40	X	FA	97	(E)DRN 132M4	500	490
25	25600	72.29	7170	1.50	X	FAF	97	(E)DRN 132M4	550	489
27	23200	65.47	7080	1.65	X	F	97	(E)DRN 132M4	510	488
31	20600	58.06	6950	1.85	X	FF	97	(E)DRN 132M4	590	489
34	18600	52.49	6840	2.0	X					
40	15800	44.49	6630	2.4	X					
46	13800	38.86	6460	2.8	X					
55	11500	32.50	6210	3.3	X					

21933480/EN-US - 04/2018

P <sub>m</sub> = 10.0 HP												
n <sub>a</sub> rpm	T <sub>a</sub> lb-in	i ratio	F <sub>Ra</sub> <sup>1)</sup> lb	SEW SF f <sub>B</sub>	HazLoc -NA®					m lbs		
41	15300	43.28	6600	1.75	X	FA	97	(E)DRN	132M4	485	490	
48	13000	36.64	6380	2.1	X	FAF	97	(E)DRN	132M4	530	489	
52	12000	33.91	6270	3.2	X	F	97	(E)DRN	132M4	500	488	
58	10700	30.39	6120	3.5	X	FF	97	(E)DRN	132M4	570	489	
26	24200	68.40	4080	1.10	X							
31	20100	56.75	4100	1.30	X							
35	17800	50.36	4080	1.45	X	FA	87	(E)DRN	132M4	355	483	
39	16000	45.28	4060	1.55	X	FAF	87	(E)DRN	132M4	385	482	
45	13900	39.30	4010	1.70	X	F	87	(E)DRN	132M4	370	481	
50	12400	35.19	3960	1.85	X	FF	87	(E)DRN	132M4	405	482	
61	10300	29.20	3850	2.1	X							
52	12000	33.92	3940	1.90	X							
62	10200	28.78	3840	2.1	X							
67	9410	26.50	3790	2.8	X	FA	87	(E)DRN	132M4	350	483	
75	8410	23.68	3720	3.2	X	FAF	87	(E)DRN	132M4	380	482	
83	7570	21.32*	3640	3.5	X	F	87	(E)DRN	132M4	365	481	
92	6850	19.31	3570	3.9	X	FF	87	(E)DRN	132M4	395	482	
104	6080	17.12	3480	4.4	X							
115	5490	15.48	3400	4.8	X							
53	11900	33.74	3740	1.10	X	FA	77	(E)DRN	132M4	270	476	
59	10600	29.91	3920	1.25	X	FAF	77	(E)DRN	132M4	285	475	
69	9060	25.54	4090	1.40	X	F	77	(E)DRN	132M4	280	474	
						FF	77	(E)DRN	132M4	300	475	
70	9050	25.50*	4090	1.45	X							
83	7610	21.43	4220	1.75	X							
90	6990	19.70	4270	1.90	X							
101	6210	17.49	4180	2.1	X							
113	5550	15.64*	4080	2.4	X							
126	4990	14.06	3990	2.7	X							
145	4330	12.20	3870	3.1	X	FA	77	(E)DRN	132M4	265	476	
162	3880	10.93	3770	3.4	X	FAF	77	(E)DRN	132M4	280	475	
191	3300	9.30	3550	2.9	X	F	77	(E)DRN	132M4	275	474	
215	2930	8.26	3450	3.3	X	FF	77	(E)DRN	132M4	300	475	
240	2620	7.39	3360	3.6	X							
267	2350	6.64	3280	4.0	X							
308	2040	5.76	3170	4.7	X							
344	1830	5.16	3080	5.2	X							
414	1520	4.28	2940	5.9	X							
97	6490	18.29	2480	1.10	X							
108	5850	16.48	2590	1.25	X							
123	5130	14.46	2700	1.40	X							
139	4530	12.76	2780	1.60	X							
157	4010	11.31	2740	1.80	X							
184	3420	9.66	2660	2.1	X	FA	67	(E)DRN	132M4	220	469	
195	3220	9.08	2550	1.45	X	FAF	67	(E)DRN	132M4	230	468	
206	3050	8.60	2520	1.65	X	F	67	(E)DRN	132M4	225	467	
236	2670	7.53	2460	2.0	X	FF	67	(E)DRN	132M4	240	468	
262	2400	6.78	2410	2.3	X							
298	2110	5.95	2350	2.5	X							
338	1860	5.25	2290	2.8	X							
381	1650	4.66	2230	3.0	X							
131	4800	13.52	1050	1.10	X							
144	4360	12.29	1060	1.20	X							
167	3770	10.64	1070	1.40	X	FA	57	(E)DRN	132M4	210	462	
217	2900	8.19	1010	1.30	X	FAF	57	(E)DRN	132M4	225	461	
229	2740	7.73	1010	1.35	X	F	57	(E)DRN	132M4	210	460	
269	2330	6.58	1000	1.60	X	FF	57	(E)DRN	132M4	225	461	
296	2120	5.98	990	1.75	X							
342	1840	5.18	980	2.0	X							
433	1450	8.19	950	2.5		FA	57	DRN	132S2	170	462	
458	1370	7.73	940	2.7		FAF	57	DRN	132S2	185	461	
538	1170	6.58	910	3.2		F	57	DRN	132S2	170	460	
592	1060	5.98	890	3.5		FF	57	DRN	132S2	185	461	
684	920	5.18	870	4.0								

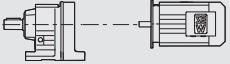

21933480/EN-US - 04/2018



**P<sub>m</sub> = 12.3 HP**

n <sub>a</sub> rpm	T <sub>a</sub> lb-in	i ratio	F <sub>Ra</sub> <sup>1)</sup> lb	SEW SF f <sub>B</sub>	HazLoc -NA®		m lbs			
5.0	141200	353	23800	1.15	X					
5.9	122200	302	24900	1.30	X	FA	157R97	(E)DRN 132L4	1840	511/516
6.5	110300	273	25500	1.45	X	FAF	157R97	(E)DRN 132L4	1970	510/516
7.7	93100	232	26200	1.70	X	F	157R97	(E)DRN 132L4	1890	509/516
8.8	81000	202	26600	1.95	X	FF	157R97	(E)DRN 132L4	2120	510/516
9.0	79000	197	26700	2.0	X					
6.9	104700	259	20200	1.00	X	FA	127R87	(E)DRN 132L4	1150	504/516
8.0	90400	223	20200	1.15	X	FAF	127R87	(E)DRN 132L4	1230	503/516
9.0	80000	198	20200	1.35	X	F	127R87	(E)DRN 132L4	1230	502/516
11	67200	166	20200	1.60	X	FF	127R87	(E)DRN 132L4	1330	503/516
6.6	116700	267.43	25100	1.35	X					
8.2	95000	217.62*	26100	1.70	X	FA	157	(E)DRN 132L4	1560	504
10.0	77800	178.20*	26700	2.0	X	FAF	157	(E)DRN 132L4	1690	503
11	71100	162.96	26900	2.2	X	F	157	(E)DRN 132L4	1610	502
13	61900	141.80*	27000	2.6	X	FF	157	(E)DRN 132L4	1840	503
14	54600	125.14	27000	2.9	X					
10	74500	170.83	20200	1.40	X					
12	67000	153.67*	20200	1.60	X	FA	127	(E)DRN 132L4	1000	504
14	54700	125.37	20200	1.95	X	FAF	127	(E)DRN 132L4	1080	503
16	49900	114.34	20200	2.1	X	F	127	(E)DRN 132L4	1080	502
18	43200	98.95	20200	2.5	X	FF	127	(E)DRN 132L4	1180	503
20	38100	87.31*	20100	2.8	X					
12	63900	146.49	11500	1.05	X					
14	56700	129.97	11900	1.20	X					
15	51400	117.94	12200	1.30	X					
18	44200	101.38*	12700	1.55	X					
19	40300	92.47*	12900	1.70	X	FA	107	(E)DRN 132L4	680	497
20	38600	88.49	13000	1.75	X	FAF	107	(E)DRN 132L4	730	496
21	36600	83.99	13100	1.85	X	F	107	(E)DRN 132L4	720	495
24	32500	74.52	13200	2.1	X	FF	107	(E)DRN 132L4	780	496
26	29500	67.62	13000	2.3	X					
31	25300	58.12*	12600	2.7	X					
35	22100	50.73	12200	3.1	X					
20	37800	86.59	6670	1.00	X					
22	35000	80.31	6670	1.10	X					
23	33000	75.63	6650	1.15	X					
25	31500	72.29	6640	1.20	X	FA	97	(E)DRN 132L4	520	490
27	28500	65.47	6600	1.35	X	FAF	97	(E)DRN 132L4	560	489
31	25300	58.06	6530	1.50	X	F	97	(E)DRN 132L4	530	488
34	22900	52.49	6450	1.65	X	FF	97	(E)DRN 132L4	600	489
40	19400	44.49	6310	1.95	X					
46	16900	38.86	6170	2.2	X					
55	14100	32.50	5980	2.7	X					
52	14800	33.91	6030	2.6	X	FA	97	(E)DRN 132L4	500	490
58	13200	30.39	5900	2.9	X	FAF	97	(E)DRN 132L4	550	489
65	11900	27.44*	5780	3.2	X	F	97	(E)DRN 132L4	520	488
71	10800	24.92	5660	3.5	X	FF	97	(E)DRN 132L4	590	489
31	24700	56.75	3640	1.05	X					
35	21900	50.36	3680	1.20	X	FA	87	(E)DRN 132L4	375	483
39	19700	45.28	3700	1.25	X	FAF	87	(E)DRN 132L4	405	482
45	17100	39.30	3690	1.40	X	F	87	(E)DRN 132L4	390	481
50	15300	35.19	3670	1.50	X	FF	87	(E)DRN 132L4	420	482
61	12700	29.20	3620	1.75	X					
67	11500	26.50	3580	2.3	X					
75	10300	23.68	3530	2.6	X	FA	87	(E)DRN 132L4	370	483
83	9300	21.32*	3470	2.9	X	FAF	87	(E)DRN 132L4	395	482
92	8420	19.31	3410	3.1	X	F	87	(E)DRN 132L4	380	481
104	7470	17.12	3340	3.5	X	FF	87	(E)DRN 132L4	415	482
115	6750	15.48	3280	3.9	X					
135	5720	13.12*	3170	4.6	X					

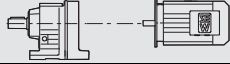

21933480/EN-US - 04/2018





<b>P<sub>m</sub> = 12.3 HP</b>											
n <sub>a</sub> rpm	T <sub>a</sub> lb-in	i ratio	F <sub>Ra</sub> <sup>1)</sup> lb	SEW SF f <sub>B</sub>	HazLoc -NA®					m lbs	
<b>59</b>	13000	29.91	3570	1.00	X	<b>FA</b>	<b>77</b>	<b>(E)DRN</b>	<b>132L4</b>	290	476
<b>70</b>	11100	25.54	3850	1.15	X	<b>FAF</b>	<b>77</b>	<b>(E)DRN</b>	<b>132L4</b>	305	475
						<b>F</b>	<b>77</b>	<b>(E)DRN</b>	<b>132L4</b>	295	474
						<b>FF</b>	<b>77</b>	<b>(E)DRN</b>	<b>132L4</b>	320	475
<b>90</b>	8600	19.70	4130	1.55	X						
<b>101</b>	7630	17.49	4050	1.75	X						
<b>113</b>	6820	15.64*	3960	1.95	X						
<b>126</b>	6130	14.06	3880	2.2	X						
<b>145</b>	5320	12.20	3770	2.5	X						
<b>162</b>	4770	10.93	3690	2.8	X	<b>FA</b>	<b>77</b>	<b>(E)DRN</b>	<b>132L4</b>	285	476
<b>191</b>	4060	9.30	3460	2.4	X	<b>FAF</b>	<b>77</b>	<b>(E)DRN</b>	<b>132L4</b>	300	475
<b>215</b>	3600	8.26	3370	2.6	X	<b>F</b>	<b>77</b>	<b>(E)DRN</b>	<b>132L4</b>	295	474
<b>240</b>	3220	7.39	3290	3.0	X	<b>FF</b>	<b>77</b>	<b>(E)DRN</b>	<b>132L4</b>	320	475
<b>267</b>	2890	6.64	3210	3.3	X						
<b>308</b>	2510	5.76	3110	3.8	X						
<b>344</b>	2250	5.16	3030	4.2	X						
<b>415</b>	1860	4.28	2900	4.8	X						

<b>P<sub>m</sub> = 15.0 HP</b>											
n <sub>a</sub> rpm	T <sub>a</sub> lb-in	i ratio	F <sub>Ra</sub> <sup>1)</sup> lb	SEW SF f <sub>B</sub>	HazLoc -NA®					m lbs	
<b>5.9</b>	149400	302	23200	1.05	X	<b>FA</b>	<b>157R97</b>	<b>(E)DRN</b>	<b>160M4</b>	1910	511/516
<b>6.5</b>	134800	273	24200	1.20	X	<b>FAF</b>	<b>157R97</b>	<b>(E)DRN</b>	<b>160M4</b>	2040	510/516
<b>7.7</b>	114000	232	25300	1.40	X	<b>F</b>	<b>157R97</b>	<b>(E)DRN</b>	<b>160M4</b>	1960	509/516
<b>8.8</b>	99200	202	25900	1.60	X	<b>FF</b>	<b>157R97</b>	<b>(E)DRN</b>	<b>160M4</b>	2190	510/516
<b>9.0</b>	96600	197	26000	1.65	X						
<b>9.0</b>	97800	198	20200	1.10	X	<b>FA</b>	<b>127R87</b>	<b>(E)DRN</b>	<b>160M4</b>	1220	504/516
<b>11</b>	82100	166	20200	1.30	X	<b>FAF</b>	<b>127R87</b>	<b>(E)DRN</b>	<b>160M4</b>	1300	503/516
						<b>F</b>	<b>127R87</b>	<b>(E)DRN</b>	<b>160M4</b>	1300	502/516
						<b>FF</b>	<b>127R87</b>	<b>(E)DRN</b>	<b>160M4</b>	1400	503/516
<b>6.6</b>	142300	267.43	23700	1.10	X						
<b>8.2</b>	115800	217.62*	25200	1.40	X						
<b>10.0</b>	94800	178.20*	26100	1.70	X						
<b>11</b>	86700	162.96	26400	1.85	X						
<b>13</b>	75400	141.80*	26800	2.1	X	<b>FA</b>	<b>157</b>	<b>(E)DRN</b>	<b>160M4</b>	1630	511
<b>14</b>	66500	125.14	27000	2.4	X	<b>FAF</b>	<b>157</b>	<b>(E)DRN</b>	<b>160M4</b>	1760	510
<b>16</b>	57700	108.49	26600	2.8	X	<b>F</b>	<b>157</b>	<b>(E)DRN</b>	<b>160M4</b>	1680	509
<b>18</b>	51300	96.53*	25900	3.1	X	<b>FF</b>	<b>157</b>	<b>(E)DRN</b>	<b>160M4</b>	1910	510
<b>21</b>	45600	85.80*	25200	3.5	X						
<b>23</b>	41700	78.46	24700	3.8	X						
<b>26</b>	36300	68.28*	23900	4.4	X						
<b>33</b>	28400	53.55	22500	2.5	X	<b>FA</b>	<b>157</b>	<b>(E)DRN</b>	<b>160M4</b>	1620	511
						<b>FAF</b>	<b>157</b>	<b>(E)DRN</b>	<b>160M4</b>	1750	510
						<b>F</b>	<b>157</b>	<b>(E)DRN</b>	<b>160M4</b>	1660	509
						<b>FF</b>	<b>157</b>	<b>(E)DRN</b>	<b>160M4</b>	1900	510
<b>10</b>	90900	170.83	20200	1.15	X						
<b>12</b>	81700	153.67*	20200	1.30	X						
<b>14</b>	66700	125.37	20200	1.60	X	<b>FA</b>	<b>127</b>	<b>(E)DRN</b>	<b>160M4</b>	1070	504
<b>16</b>	60800	114.34	20200	1.75	X	<b>FAF</b>	<b>127</b>	<b>(E)DRN</b>	<b>160M4</b>	1150	503
<b>18</b>	52600	98.95	20100	2.0	X	<b>F</b>	<b>127</b>	<b>(E)DRN</b>	<b>160M4</b>	1150	502
<b>20</b>	46400	87.31*	19600	2.3	X	<b>FF</b>	<b>127</b>	<b>(E)DRN</b>	<b>160M4</b>	1250	503
<b>24</b>	40100	75.41*	19000	2.6	X						
<b>25</b>	37200	70.07	18700	2.9	X						
<b>14</b>	69100	129.97	11100	1.00							
<b>15</b>	62700	117.94	11500	1.10	X						
<b>18</b>	53900	101.38*	12100	1.25	X						
<b>19</b>	49200	92.47*	12400	1.40	X	<b>FA</b>	<b>107</b>	<b>(E)DRN</b>	<b>160M4</b>	750	497
<b>20</b>	47000	88.49	12500	1.45	X	<b>FAF</b>	<b>107</b>	<b>(E)DRN</b>	<b>160M4</b>	800	496
<b>21</b>	44600	83.99	12600	1.50	X	<b>F</b>	<b>107</b>	<b>(E)DRN</b>	<b>160M4</b>	790	495
<b>24</b>	39600	74.52	12700	1.70	X	<b>FF</b>	<b>107</b>	<b>(E)DRN</b>	<b>160M4</b>	850	496
<b>26</b>	35900	67.62	12500	1.90	X						
<b>31</b>	30900	58.12*	12200	2.2	X						
<b>35</b>	26900	50.73	11900	2.5	X						

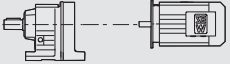

**P<sub>m</sub> = 15.0 HP**

n <sub>a</sub> rpm	T <sub>a</sub> lb-in	i ratio	F <sub>Ra</sub> <sup>1)</sup> lb	SEW SF f <sub>B</sub>	HazLoc -NA®		m lbs	
41	22800	43.03	11500	3.0	X			
53	17900	33.79*	10900	3.6	X	FA 107 (E)DRN 160M4	730	497
64	14600	27.57	10400	4.7	X	FAF 107 (E)DRN 160M4	780	496
71	13300	25.14	10200	5.2	X	F 107 (E)DRN 160M4	770	495
						FF 107 (E)DRN 160M4	830	496
25	38400	72.29	6020	1.00				
27	34800	65.47	6040	1.10	X	FA 97 (E)DRN 160M4	590	490
31	30800	58.06	6030	1.25	X	FAF 97 (E)DRN 160M4	640	489
34	27900	52.49	6010	1.35	X	F 97 (E)DRN 160M4	600	488
40	23600	44.49	5930	1.60	X	FF 97 (E)DRN 160M4	680	489
46	20600	38.86	5840	1.85	X			
55	17200	32.50	5700	2.2	X			
52	18000	33.91	5740	2.1	X	FA 97 (E)DRN 160M4	580	490
58	16100	30.39	5640	2.4	X	FAF 97 (E)DRN 160M4	620	489
65	14600	27.44*	5540	2.6	X	F 97 (E)DRN 160M4	590	488
71	13200	24.92	5450	2.9	X	FF 97 (E)DRN 160M4	660	489
80	11700	22.11	5320	3.2	X			
39	24000	45.28	3270	1.05	X	FA 87 (E)DRN 160M4	445	483
45	20900	39.30	3320	1.15	X	FAF 87 (E)DRN 160M4	475	482
50	18700	35.19	3340	1.25	X	F 87 (E)DRN 160M4	460	481
61	15500	29.20	3340	1.45	X	FF 87 (E)DRN 160M4	495	482
67	14000	26.50	3330	1.90	X			
75	12600	23.68	3300	2.1	X	FA 87 (E)DRN 160M4	440	483
83	11300	21.32*	3270	2.3	X	FAF 87 (E)DRN 160M4	470	482
92	10200	19.31	3230	2.6	X	F 87 (E)DRN 160M4	450	481
104	9110	17.12	3180	2.9	X	FF 87 (E)DRN 160M4	485	482
115	8230	15.48	3130	3.2	X			
135	6980	13.12*	3040	3.8	X			
90	10400	19.70	3940	1.25	X			
102	9300	17.49	3890	1.45	X			
114	8320	15.64*	3820	1.60	X			
126	7480	14.06	3760	1.75	X			
146	6490	12.20	3670	2.0	X			
163	5810	10.93	3590	2.3	X	FA 77 (E)DRN 160M4	355	476
191	4940	9.30	3350	1.95	X	FAF 77 (E)DRN 160M4	370	475
215	4390	8.26	3280	2.2	X	F 77 (E)DRN 160M4	365	474
240	3920	7.39	3210	2.4	X	FF 77 (E)DRN 160M4	385	475
267	3530	6.64	3140	2.7	X			
308	3060	5.76	3050	3.1	X			
344	2740	5.16	2970	3.5	X			
415	2270	4.28	2850	3.9	X			



**P<sub>m</sub> = 20 HP**

n <sub>a</sub> rpm	T <sub>a</sub> lb-in	i ratio	F <sub>Ra</sub> <sup>1)</sup> lb	SEW SF f <sub>B</sub>	HazLoc -NA®		m lbs	
7.7	152500	232	23000	1.05	X	FA 157R97 (E)DRN 160L4	1950	511/516
8.8	132900	202	24300	1.20	X	FAF 157R97 (E)DRN 160L4	2080	510/516
9.1	129400	197	24500	1.25	X	F 157R97 (E)DRN 160L4	1990	509/516
						FF 157R97 (E)DRN 160L4	2230	510/516
8.2	154300	217.62*	22900	1.05	X			
10.0	126300	178.20*	24600	1.25	X			
11	115500	162.96	25200	1.40	X			
13	100500	141.80*	25900	1.60	X	FA 157 (E)DRN 160L4	1670	511
14	88700	125.14	26300	1.80	X	FAF 157 (E)DRN 160L4	1790	510
16	76900	108.49	25700	2.1	X	F 157 (E)DRN 160L4	1990	509
18	68400	96.53*	25100	2.3	X	FF 157 (E)DRN 160L4	1950	510
21	60800	85.80*	24500	2.6	X			
23	55600	78.46	24000	2.9	X			
26	48400	68.28*	23300	3.3	X			
29	42700	60.25	22600	3.7	X			

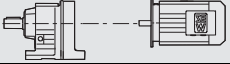

21933480/EN-US - 04/2018



<b>P<sub>m</sub> = 20 HP</b>											
<b>n<sub>a</sub></b> rpm	<b>T<sub>a</sub></b> lb-in	<b>i</b> ratio	<b>F<sub>Ra</sub><sup>1)</sup></b> lb	<b>SEW SF</b> f <sub>B</sub>	<b>HazLoc</b> -NA®				<b>m</b> lbs		
<b>33</b>	37900	53.55	22000	1.85	X	<b>FA</b>	<b>157</b>	<b>(E)DRN</b>	<b>160L4</b>	1650	511/516
<b>40</b>	31100	43.94*	21000	2.8	X	<b>FAF</b>	<b>157</b>	<b>(E)DRN</b>	<b>160L4</b>	1780	510/516
						<b>F</b>	<b>157</b>	<b>(E)DRN</b>	<b>160L4</b>	1700	509/516
						<b>FF</b>	<b>157</b>	<b>(E)DRN</b>	<b>160L4</b>	1930	510/516
<b>14</b>	88900	125.37	19700	1.20	X						
<b>16</b>	81000	114.34	19500	1.30	X						
<b>18</b>	70100	98.95	19100	1.50	X	<b>FA</b>	<b>127</b>	<b>(E)DRN</b>	<b>160L4</b>	1110	504/516
<b>20</b>	61900	87.31*	18700	1.70	X	<b>FAF</b>	<b>127</b>	<b>(E)DRN</b>	<b>160L4</b>	1190	503/516
<b>24</b>	53400	75.41*	18200	2.0	X	<b>F</b>	<b>127</b>	<b>(E)DRN</b>	<b>160L4</b>	1190	502/516
<b>25</b>	49600	70.07	18000	2.1	X	<b>FF</b>	<b>127</b>	<b>(E)DRN</b>	<b>160L4</b>	1290	503/516
<b>28</b>	45300	63.91	17700	2.3	X						
<b>32</b>	39200	55.31	17200	2.7	X						
<b>19</b>	65500	92.47*	11400	1.05	X						
<b>20</b>	62700	88.49	11500	1.10	X						
<b>21</b>	59500	83.99	11700	1.15	X						
<b>24</b>	52800	74.52	11800	1.30	X	<b>FA</b>	<b>107</b>	<b>(E)DRN</b>	<b>160L4</b>	790	497
<b>26</b>	47900	67.62	11700	1.40	X	<b>FAF</b>	<b>107</b>	<b>(E)DRN</b>	<b>160L4</b>	840	496
<b>31</b>	41200	58.12*	11500	1.65	X	<b>F</b>	<b>107</b>	<b>(E)DRN</b>	<b>160L4</b>	830	495
<b>35</b>	35900	50.73	11300	1.90	X	<b>FF</b>	<b>107</b>	<b>(E)DRN</b>	<b>160L4</b>	890	496
<b>41</b>	30500	43.03	11000	2.2	X						
<b>47</b>	26600	37.61	10700	2.5	X						
<b>56</b>	22500	31.80	10400	3.0	X						
<b>53</b>	23900	33.79*	10500	2.7	X	<b>FA</b>	<b>107</b>	<b>(E)DRN</b>	<b>160L4</b>	770	497
<b>64</b>	19500	27.57	10100	3.5	X	<b>FAF</b>	<b>107</b>	<b>(E)DRN</b>	<b>160L4</b>	810	496
<b>71</b>	17800	25.14	9900	3.9	X	<b>F</b>	<b>107</b>	<b>(E)DRN</b>	<b>160L4</b>	800	495
<b>82</b>	15400	21.76*	9590	4.5	X	<b>FF</b>	<b>107</b>	<b>(E)DRN</b>	<b>160L4</b>	860	496
<b>34</b>	37200	52.49	5180	1.00	X	<b>FA</b>	<b>97</b>	<b>(E)DRN</b>	<b>160L4</b>	620	490
<b>40</b>	31500	44.49	5230	1.20	X	<b>FAF</b>	<b>97</b>	<b>(E)DRN</b>	<b>160L4</b>	670	489
<b>46</b>	27500	38.86	5230	1.40	X	<b>F</b>	<b>97</b>	<b>(E)DRN</b>	<b>160L4</b>	640	488
<b>55</b>	23000	32.50	5190	1.65	X	<b>FF</b>	<b>97</b>	<b>(E)DRN</b>	<b>160L4</b>	710	489
<b>52</b>	24000	33.91	5200	1.60	X						
<b>58</b>	21500	30.39	5160	1.75	X						
<b>65</b>	19400	27.44*	5110	1.95	X						
<b>71</b>	17600	24.92	5050	2.1	X	<b>FA</b>	<b>97</b>	<b>(E)DRN</b>	<b>160L4</b>	610	490
<b>80</b>	15600	22.11	4970	2.4	X	<b>FAF</b>	<b>97</b>	<b>(E)DRN</b>	<b>160L4</b>	660	489
<b>89</b>	14200	20.07	4900	2.7	X	<b>F</b>	<b>97</b>	<b>(E)DRN</b>	<b>160L4</b>	630	488
<b>103</b>	12200	17.25*	4770	3.1	X	<b>FF</b>	<b>97</b>	<b>(E)DRN</b>	<b>160L4</b>	700	489
<b>118</b>	10600	15.06	4650	3.6	X						
<b>139</b>	9050	12.77	4500	4.2	X						
<b>159</b>	7910	11.16	4360	4.6	X						
<b>61</b>	20700	29.20	2840	1.05	X	<b>FA</b>	<b>87</b>	<b>(E)DRN</b>	<b>160L4</b>	480	483
						<b>FAF</b>	<b>87</b>	<b>(E)DRN</b>	<b>160L4</b>	510	482
						<b>F</b>	<b>87</b>	<b>(E)DRN</b>	<b>160L4</b>	495	481
						<b>FF</b>	<b>87</b>	<b>(E)DRN</b>	<b>160L4</b>	530	482
<b>67</b>	18700	26.50	2870	1.40	X						
<b>75</b>	16700	23.68	2890	1.60	X						
<b>83</b>	15100	21.32*	2900	1.75	X						
<b>92</b>	13600	19.31	2900	1.95	X						
<b>104</b>	12100	17.12	2880	2.2	X						
<b>115</b>	10900	15.48	2860	2.4	X						
<b>135</b>	9300	13.12*	2810	2.9	X	<b>FA</b>	<b>87</b>	<b>(E)DRN</b>	<b>160L4</b>	475	483
<b>155</b>	8120	11.46	2770	3.3	X	<b>FAF</b>	<b>87</b>	<b>(E)DRN</b>	<b>160L4</b>	500	482
<b>185</b>	6790	9.58	2690	3.8	X	<b>F</b>	<b>87</b>	<b>(E)DRN</b>	<b>160L4</b>	485	481
<b>214</b>	5870	8.29	2560	2.3	X	<b>FF</b>	<b>87</b>	<b>(E)DRN</b>	<b>160L4</b>	520	482
<b>242</b>	5210	7.35	2510	2.6	X						
<b>267</b>	4710	6.65	2460	2.9	X						
<b>315</b>	3990	5.63	2380	3.4	X						
<b>361</b>	3480	4.92	2310	3.9	X						
<b>432</b>	2910	4.12	2220	4.4	X						

**P<sub>m</sub> = 25 HP**

n <sub>a</sub> rpm	T <sub>a</sub> lb-in	i ratio	F <sub>Ra</sub> <sup>1)</sup> lb	SEW SF f <sub>B</sub>	HazLoc -NA®		m lbs	
9.1	161800	197	22300	1.00		FA 157R97 (E)DRN 180M4	2000	511/516
						FAF 157R97 (E)DRN 180M4	2130	510/516
						F 157R97 (E)DRN 180M4	2040	509/516
						FF 157R97 (E)DRN 180M4	2280	510/516
10.0	157600	178.20*	22700	1.00	X			
11	144100	162.96	23600	1.10	X			
13	125400	141.80*	24700	1.25	X			
14	110600	125.14	25200	1.45	X			
16	95900	108.49	24700	1.65	X	FA 157 (E)DRN 180M4	1720	511
18	85300	96.53*	24200	1.85	X	FAF 157 (E)DRN 180M4	1850	510
21	75800	85.80*	23700	2.1	X	F 157 (E)DRN 180M4	1760	509
23	69300	78.46	23300	2.3	X	FF 157 (E)DRN 180M4	2000	510
26	60300	68.28*	22600	2.6	X			
30	53200	60.25	22100	3.0	X			
34	46100	52.24	21400	3.5	X			
41	38800	43.94*	20600	2.3	X	FA 157 (E)DRN 180M4	1700	511
						FAF 157 (E)DRN 180M4	1830	510
						F 157 (E)DRN 180M4	1750	509
						FF 157 (E)DRN 180M4	1990	510
16	101100	114.34	18200	1.05	X			
18	87500	98.95	18000	1.20	X			
20	77200	87.31*	17800	1.35	X			
24	66600	75.41*	17400	1.60	X	FA 127 (E)DRN 180M4	1150	504
25	61900	70.07	17300	1.70	X	FAF 127 (E)DRN 180M4	1240	503
28	56500	63.91	17000	1.90	X	F 127 (E)DRN 180M4	1230	502
32	48900	55.31	16600	2.2	X	FF 127 (E)DRN 180M4	1330	503
36	43100	48.80	16200	2.5	X			
42	37200	42.15	15800	2.9	X			
24	65900	74.52	10900	1.05	X			
26	59800	67.62	10900	1.15	X			
31	51400	58.12*	10800	1.30	X	FA 107 (E)DRN 180M4	840	497
35	44800	50.73	10700	1.50	X	FAF 107 (E)DRN 180M4	880	496
41	38000	43.03	10500	1.80	X	F 107 (E)DRN 180M4	870	495
47	33200	37.61	10300	2.0	X	FF 107 (E)DRN 180M4	930	496
56	28100	31.80	10000	2.4	X			
53	29800	33.79*	10100	2.2	X	FA 107 (E)DRN 180M4	810	497
65	24300	27.57	9760	2.8	X	FAF 107 (E)DRN 180M4	860	496
71	22200	25.14	9600	3.1	X	F 107 (E)DRN 180M4	850	495
82	19200	21.76*	9330	3.6	X	FF 107 (E)DRN 180M4	910	496
46	34300	38.86	4620	1.10	X	FA 97 (E)DRN 180M4	670	490
						FAF 97 (E)DRN 180M4	720	489
						F 97 (E)DRN 180M4	690	488
						FF 97 (E)DRN 180M4	760	489
55	28700	32.50	4670	1.30	X			
65	24200	27.44*	4670	1.55	X			
71	22000	24.92	4660	1.75	X			
81	19500	22.11	4620	1.95	X			
89	17700	20.07	4580	2.1	X			
103	15200	17.25*	4500	2.5	X	FA 97 (E)DRN 180M4	660	490
118	13300	15.06	4410	2.9	X	FAF 97 (E)DRN 180M4	710	489
139	11200	12.77	4290	3.4	X	F 97 (E)DRN 180M4	680	488
160	9870	11.16	4190	3.7	X	FF 97 (E)DRN 180M4	750	489
197	8010	9.06	3910	2.6	X			
217	7270	8.22	3840	2.9	X			

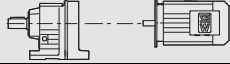

21933480/EN-US - 04/2018

<b>P<sub>m</sub> = 25 HP</b>							<b>m lbs</b>	
<b>n<sub>a</sub> rpm</b>	<b>T<sub>a</sub> lb-in</b>	<b>i ratio</b>	<b>F<sub>Ra</sub><sup>1)</sup> lb</b>	<b>SEW SF f<sub>B</sub></b>	<b>HazLoc -NA<sup>®</sup></b>			
84	18800	21.32*	2530	1.40	X			
92	17000	19.31	2560	1.55	X			
104	15100	17.12	2580	1.75	X			
115	13600	15.48	2590	1.95	X			
136	11600	13.12*	2590	2.3	X			
155	10100	11.46	2570	2.6	X	FA	87	(E)DRN 180M4 520 483
186	8470	9.58	2520	3.0	X	FAF	87	(E)DRN 180M4 550 482
215	7330	8.29	2400	1.85	X	F	87	(E)DRN 180M4 530 481
242	6500	7.35	2370	2.1	X	FF	87	(E)DRN 180M4 570 482
268	5870	6.65	2330	2.3	X			
316	4980	5.63	2270	2.7	X			
362	4350	4.92	2210	3.1	X			
433	3630	4.12	2140	3.5	X			

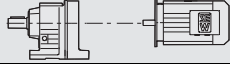

<b>P<sub>m</sub> = 30 HP</b>							<b>m lbs</b>	
<b>n<sub>a</sub> rpm</b>	<b>T<sub>a</sub> lb-in</b>	<b>i ratio</b>	<b>F<sub>Ra</sub><sup>1)</sup> lb</b>	<b>SEW SF f<sub>B</sub></b>	<b>HazLoc -NA<sup>®</sup></b>			
13	150400	141.80*	23200	1.05	X			
14	132800	125.14	24100	1.20	X			
16	115100	108.49	23700	1.40	X			
18	102400	96.53*	23300	1.55	X			
21	91000	85.80*	22900	1.75	X	FA	157	(E)DRN 180L4 1750 511
23	83200	78.46	22600	1.90	X	FAF	157	(E)DRN 180L4 1880 510
26	72400	68.28*	22000	2.2	X	F	157	(E)DRN 180L4 1800 509
30	63900	60.25	21500	2.5	X	FF	157	(E)DRN 180L4 2030 510
34	55400	52.24	20900	2.9	X			
38	49300	46.48*	20400	3.2	X			
44	42500	40.06	19700	3.8	X			
55	34500	32.55	18800	4.6	X			
41	46600	43.94*	20200	1.90	X	FA	157	(E)DRN 180L4 1740 511
50	37900	35.75*	19200	2.6	X	FAF	157	(E)DRN 180L4 1870 510
						F	157	(E)DRN 180L4 1780 509
						FF	157	(E)DRN 180L4 2020 510
18	105000	98.95	17000	1.00	X			
20	92600	87.31*	16900	1.15	X			
24	80000	75.41*	16700	1.35	X	FA	127	(E)DRN 180L4 1190 504
25	74300	70.07	16500	1.45	X	FAF	127	(E)DRN 180L4 1270 503
28	67800	63.91	16300	1.55	X	F	127	(E)DRN 180L4 1270 502
32	58600	55.31	16000	1.80	X	FF	127	(E)DRN 180L4 1370 503
36	51700	48.80	15700	2.0	X			
42	44700	42.15	15300	2.4	X			
48	39500	37.28	15000	2.7	X			
66	28500	26.86	14000	2.6	X	FA	127	(E)DRN 180L4 1160 504
72	26000	24.57	13700	2.9	X	FAF	127	(E)DRN 180L4 1250 503
						F	127	(E)DRN 180L4 1240 502
						FF	127	(E)DRN 180L4 1340 503
31	61600	58.12*	10100	1.10	X	FA	107	(E)DRN 180L4 870 497
35	53800	50.73	10100	1.25	X	FAF	107	(E)DRN 180L4 920 496
41	45600	43.03	9960	1.50	X	F	107	(E)DRN 180L4 910 495
47	39900	37.61	9830	1.70	X	FF	107	(E)DRN 180L4 970 496
56	33700	31.80	9630	2.0	X			
53	35800	33.79*	9710	1.85	X	FA	107	(E)DRN 180L4 850 497
65	29200	27.57	9430	2.4	X	FAF	107	(E)DRN 180L4 890 496
71	26600	25.14	9300	2.6	X	F	107	(E)DRN 180L4 890 495
82	23000	21.76*	9070	3.0	X	FF	107	(E)DRN 180L4 950 496
93	20300	19.20*	8860	3.4	X			

21933480/EN-US - 04/2018

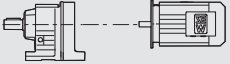

**P<sub>m</sub> = 30 HP**

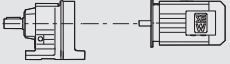

n <sub>a</sub> rpm	T <sub>a</sub> lb-in	i ratio	F <sub>Ra</sub> <sup>1)</sup> lb	SEW SF f <sub>B</sub>	HazLoc -NA®		m lbs		
55	34400	32.50	4160	1.10	X	FA 97 (E)DRN 180L4	710	490	
						FAF 97 (E)DRN 180L4	750	489	
						F 97 (E)DRN 180L4	720	488	
						FF 97 (E)DRN 180L4	800	489	
65	29100	27.44*	4240	1.30	X	FA 97 (E)DRN 180L4	690	490	
71	26400	24.92	4260	1.45	X		740	489	
81	23400	22.11	4270	1.60	X		710	488	
89	21200	20.07	4260	1.80	X		780	489	
103	18300	17.25*	4230	2.1	X		FA 97 (E)DRN 180L4	740	489
118	15900	15.06	4170	2.4	X				
139	13500	12.77	4090	2.8	X				
160	11800	11.16	4010	3.1	X				
197	9610	9.06	3750	2.2	X				
217	8720	8.22	3690	2.4	X				
252	7500	7.07	3590	2.8	X	FA 87 (E)DRN 180L4	560	483	
84	22600	21.32*	2160	1.15	X				
92	20400	19.31	2230	1.30	X				
104	18100	17.12	2290	1.45	X				
115	16400	15.48	2320	1.60	X				
136	13900	13.12*	2360	1.90	X				
155	12100	11.46	2370	2.2	X				
186	10100	9.58	2360	2.5	X				
215	8790	8.29	2240	1.55	X				
242	7800	7.35	2230	1.75	X				
268	7050	6.65	2210	1.90	X				
316	5970	5.63	2160	2.3	X				
362	5220	4.92	2120	2.6	X				
433	4360	4.12	2060	3.0	X				

**P<sub>m</sub> = 40 HP**

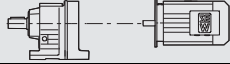

n <sub>a</sub> rpm	T <sub>a</sub> lb-in	i ratio	F <sub>Ra</sub> <sup>1)</sup> lb	SEW SF f <sub>B</sub>	HazLoc -NA®		m lbs	
16	153300	108.49	21800	1.05	X	FA 157 (E)DRN 200L4	1990	511
18	136400	96.53*	21600	1.15	X			
21	121200	85.80*	21400	1.30	X			
23	110900	78.46	21200	1.45	X			
26	96500	68.28*	20800	1.65	X			
30	85100	60.25	20400	1.85	X			
34	73800	52.24	20000	2.2	X			
38	65600	46.48*	19600	2.4	X			
45	56600	40.06	19000	2.8	X			
50	50500	35.75*	18600	1.95	X			
24	106500	75.41*	15100	1.00	X			
25	99000	70.07	15100	1.05	X			
28	90300	63.91	15000	1.20	X			
32	78100	55.31	14900	1.35	X			
37	68900	48.80	14700	1.55	X			
42	59500	42.15	14400	1.80	X			
48	52600	37.28	14200	2.0	X			
57	44200	31.33	13800	2.4	X			
70	35700	25.30	13300	3.0	X			
66	37900	26.86	13400	2.0	X			
73	34700	24.57	13200	2.2	X			
83	30200	21.38	12900	3.5	X			
95	26600	18.87	12500	3.6	X			

21933480/EN-US - 04/2018

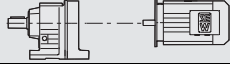

<b>P<sub>m</sub> = 40 HP</b>											
n <sub>a</sub> rpm	T <sub>a</sub> lb-in	i ratio	F <sub>Ra</sub> <sup>1)</sup> lb	SEW SF f <sub>B</sub>	HazLoc -NA®					m lbs	
41	60800	43.03	8930	1.10	X	FA	107	(E)DRN	200L4	1110	497
47	53100	37.61	8930	1.30	X	FAF	107	(E)DRN	200L4	1160	496
56	44900	31.80	8870	1.50	X	F	107	(E)DRN	200L4	1150	495
						FF	107	(E)DRN	200L4	1210	496
65	38900	27.57	8770	1.80	X						
71	35500	25.14	8700	1.95	X						
82	30700	21.76*	8550	2.3	X	FA	107	(E)DRN	200L4	1090	497
93	27100	19.20*	8400	2.6	X	FAF	107	(E)DRN	200L4	1140	496
108	23400	16.58	8210	3.0	X	F	107	(E)DRN	200L4	1130	495
122	20700	14.67	8040	3.3	X	FF	107	(E)DRN	200L4	1190	496
145	17400	12.33	7780	3.5	X						
179	14000	9.96	7450	4.1	X						
81	31200	22.11	3580	1.20	X						
89	28300	20.07	3630	1.35	X						
103	24300	17.25*	3680	1.55	X						
118	21200	15.06	3700	1.80	X						
140	18000	12.77	3690	2.1	X						
160	15700	11.16	3660	2.3	X	FA	97	(E)DRN	200L4	930	490
197	12800	9.06	3420	1.65	X	FAF	97	(E)DRN	200L4	980	489
217	11600	8.22	3390	1.80	X	F	97	(E)DRN	200L4	950	488
252	9990	7.07	3330	2.1	X	FF	97	(E)DRN	200L4	1020	489
289	8720	6.17	3270	2.3	X						
341	7390	5.23	3180	2.6	X						
390	6460	4.57	3100	2.8	X						
461	5460	3.87	3000	2.9	X						

<b>P<sub>m</sub> = 50 HP</b>											
n <sub>a</sub> rpm	T <sub>a</sub> lb-in	i ratio	F <sub>Ra</sub> <sup>1)</sup> lb	SEW SF f <sub>B</sub>	HazLoc -NA®					m lbs	
21	151400	85.80*	19800	1.05	X						
23	138400	78.46	19800	1.15	X						
26	120400	68.28*	19600	1.30	X	FA	157	(E)DRN	225S4	2060	511
30	106300	60.25	19400	1.50	X	FAF	157	(E)DRN	225S4	2190	510
34	92100	52.24	19000	1.75	X	F	157	(E)DRN	225S4	2100	509
38	82000	46.48*	18700	1.95	X	FF	157	(E)DRN	225S4	2340	510
45	70600	40.06	18300	2.2	X						
55	57400	32.55	17700	2.8	X						
65	48700	27.60	17100	3.3	X						
50	63000	35.75*	18000	1.55	X	FA	157	(E)DRN	225S4	2040	511
62	50400	28.60*	17200	3.0	X	FAF	157	(E)DRN	225S4	2170	510
70	44800	25.43	16800	3.0	X	F	157	(E)DRN	225S4	2090	509
						FF	157	(E)DRN	225S4	2330	510
32	97600	55.31	13700	1.10	X						
37	86100	48.80	13700	1.25	X	FA	127	(E)DRN	225S4	1500	504
42	74300	42.15	13500	1.45	X	FAF	127	(E)DRN	225S4	1580	503
48	65700	37.28	13400	1.60	X	F	127	(E)DRN	225S4	1580	502
57	55200	31.33	13200	1.90	X	FF	127	(E)DRN	225S4	1680	503
71	44600	25.30	12800	2.4	X						
66	47400	26.86	12900	1.60	X						
73	43300	24.57	12700	1.75	X						
84	37700	21.38	12400	2.8	X						
95	33200	18.87	12100	2.9	X	FA	127	(E)DRN	225S4	1470	504
109	28800	16.36	11800	3.4	X	FAF	127	(E)DRN	225S4	1560	503
123	25600	14.55	11500	3.8	X	F	127	(E)DRN	225S4	1550	502
142	22100	12.54	11200	4.0	X	FF	127	(E)DRN	225S4	1650	503
175	17900	10.19	10700	4.7	X						
201	15600	8.86	10300	4.0	X						
226	13900	7.88	9980	3.8	X						

**P<sub>m</sub> = 50 HP**

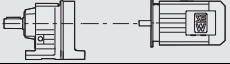

n <sub>a</sub> rpm	T <sub>a</sub> lb-in	i ratio	F <sub>Ra</sub> <sup>1)</sup> lb	SEW SF f <sub>B</sub>	HazLoc -NA®		m lbs		
47	66300	37.61	8030	1.00	X	FA 107	(E)DRN 225S4	1180	497
56	56100	31.80	8110	1.20	X	FAF 107	(E)DRN 225S4	1230	496
						F 107	(E)DRN 225S4	1220	495
						FF 107	(E)DRN 225S4	1280	496
65	48600	27.57	8120	1.45	X				
71	44300	25.14	8100	1.55	X				
82	38400	21.76*	8030	1.80	X				
93	33800	19.20*	7940	2.0	X				
108	29200	16.58	7810	2.4	X	FA 107	(E)DRN 225S4	1160	497
122	25800	14.67	7690	2.6	X	FAF 107	(E)DRN 225S4	1200	496
145	21700	12.33	7490	2.9	X	F 107	(E)DRN 225S4	1190	495
179	17500	9.96	7210	3.3	X	FF 107	(E)DRN 225S4	1250	496
184	17100	9.69	7050	2.5	X				
213	14700	8.37	6870	2.9	X				
241	13000	7.40	6710	3.1	X				
287	10900	6.22	6470	3.7	X				
89	35400	20.07	3000	1.05	X				
103	30400	17.25*	3140	1.25	X				
119	26500	15.06	3230	1.45	X				
140	22500	12.77	3290	1.70	X				
160	19600	11.16	3310	1.85	X	FA 97	(E)DRN 225S4	1000	490
197	15900	9.06	3100	1.30	X	FAF 97	(E)DRN 225S4	1050	489
217	14500	8.22	3100	1.45	X	F 97	(E)DRN 225S4	1020	488
253	12400	7.07	3080	1.65	X	FF 97	(E)DRN 225S4	1090	489
289	10800	6.17	3050	1.85	X				
341	9230	5.23	3000	2.1	X				
390	8070	4.57	2940	2.2	X				
462	6820	3.87	2860	2.3	X				

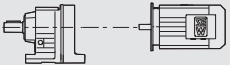

**P<sub>m</sub> = 60 HP**

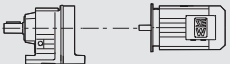

n <sub>a</sub> rpm	T <sub>a</sub> lb-in	i ratio	F <sub>Ra</sub> <sup>1)</sup> lb	SEW SF f <sub>B</sub>	HazLoc -NA®		m lbs		
26	144500	68.28*	18400	1.10	X				
30	127600	60.25	18300	1.25	X				
34	110600	52.24	18100	1.45	X	FA 157	(E)DRN 225M4	2060	511
38	98400	46.48*	17900	1.60	X	FAF 157	(E)DRN 225M4	2190	510
45	84800	40.06	17600	1.90	X	F 157	(E)DRN 225M4	2100	509
55	68900	32.55	17100	2.3	X	FF 157	(E)DRN 225M4	2340	510
65	58400	27.60	16600	2.7	X				
50	75700	35.75*	17300	1.30	X	FA 157	(E)DRN 225M4	2040	511
62	60500	28.60*	16700	2.5	X	FAF 157	(E)DRN 225M4	2170	510
70	53800	25.43	16400	2.5	X	F 157	(E)DRN 225M4	2090	509
						FF 157	(E)DRN 225M4	2330	510
37	103300	48.80	12400	1.05	X	FA 127	(E)DRN 225M4	1500	504
42	89200	42.15	12700	1.20	X	FAF 127	(E)DRN 225M4	1580	503
48	78900	37.28	12600	1.35	X	F 127	(E)DRN 225M4	1580	502
57	66300	31.33	12500	1.60	X	FF 127	(E)DRN 225M4	1680	503
71	53500	25.30	12200	2.0	X				
66	56800	26.86	12300	1.30	X				
73	52000	24.57	12200	1.45	X				
84	45200	21.38	12000	2.4	X				
95	39900	18.87	11700	2.4	X				
109	34600	16.36	11500	2.8	X	FA 127	(E)DRN 225M4	1470	504
123	30800	14.55	11200	3.2	X	FAF 127	(E)DRN 225M4	1560	503
142	26500	12.54	10900	3.3	X	F 127	(E)DRN 225M4	1550	502
175	21500	10.19	10500	3.9	X	FF 127	(E)DRN 225M4	1650	503
201	18700	8.86	10100	3.3	X				
226	16600	7.88	9800	3.2	X				
263	14300	6.80	9470	4.3	X				
323	11600	5.52	9020	4.5	X				

21933480/EN-US - 04/2018

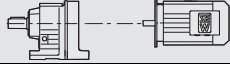



<b>P<sub>m</sub> = 60 HP</b>											
n <sub>a</sub> rpm	T <sub>a</sub> lb-in	i ratio	F <sub>Ra</sub> <sup>1)</sup> lb	SEW SF f <sub>B</sub>	HazLoc -NA®				m lbs		
56	67300	31.80	7250	1.00	X	FA	107	(E)DRN	225M4	1180	497
						FAF	107	(E)DRN	225M4	1230	496
						F	107	(E)DRN	225M4	1220	495
						FF	107	(E)DRN	225M4	1280	496
65	58300	27.57	7460	1.20	X						
71	53200	25.14	7500	1.30	X						
82	46000	21.76*	7510	1.50	X						
93	40600	19.20*	7480	1.70	X						
108	35100	16.58	7420	2.0	X	FA	107	(E)DRN	225M4	1160	497
122	31000	14.67	7340	2.2	X	FAF	107	(E)DRN	225M4	1200	496
145	26100	12.33	7190	2.4	X	F	107	(E)DRN	225M4	1190	495
179	21000	9.96	6980	2.7	X	FF	107	(E)DRN	225M4	1250	496
184	20500	9.69	6800	2.1	X						
213	17700	8.37	6650	2.4	X						
241	15600	7.40	6510	2.6	X						
287	13100	6.22	6310	3.1	X						

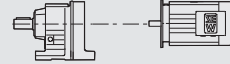

<b>P<sub>m</sub> = 75 HP</b>											
n <sub>a</sub> rpm	T <sub>a</sub> lb-in	i ratio	F <sub>Ra</sub> <sup>1)</sup> lb	SEW SF f <sub>B</sub>	HazLoc -NA®				m lbs		
30	159500	60.25	16700	1.00	X						
34	138200	52.24	16700	1.15	X	FA	157	(E)DRN	250ME4	2500	511
38	123000	46.48*	16700	1.30	X	FAF	157	(E)DRN	250ME4	2620	510
45	106000	40.06	16500	1.50	X	F	157	(E)DRN	250ME4	2540	509
55	86100	32.55	16200	1.85	X	FF	157	(E)DRN	250ME4	2780	510
65	73000	27.60	15900	2.2	X						
62	75700	28.60*	15900	2.0	X	FA	157	(E)DRN	250ME4	2480	511
70	67300	25.43	15700	1.95	X	FAF	157	(E)DRN	250ME4	2610	510
81	58600	22.16	15400	2.7	X	F	157	(E)DRN	250ME4	2530	509
90	52300	19.77	15100	2.9	X	FF	157	(E)DRN	250ME4	2760	510
106	44600	16.85	14600	3.6	X						
48	98600	37.28	11100	1.10	X	FA	127	(E)DRN	250ME4	1930	504
57	82900	31.33	11500	1.30	X	FAF	127	(E)DRN	250ME4	2010	503
71	66900	25.30	11400	1.60	X	F	127	(E)DRN	250ME4	2010	502
						FF	127	(E)DRN	250ME4	2110	503
84	56500	21.38	11300	1.90	X						
95	49900	18.87	11200	1.95	X						
109	43200	16.36	11000	2.2	X						
123	38500	14.55	10800	2.5	X	FA	127	(E)DRN	250ME4	1910	504
142	33200	12.54	10500	2.7	X	FAF	127	(E)DRN	250ME4	1990	503
175	26900	10.19	10100	3.1	X	F	127	(E)DRN	250ME4	1990	502
201	23400	8.86	9760	2.6	X	FF	127	(E)DRN	250ME4	2080	503
226	20800	7.88	9540	2.5	X						
263	17900	6.80	9250	3.4	X						
323	14600	5.52	8830	3.6	X						
381	12300	4.68	8500	4.3	X						

<b>P<sub>m</sub> = 100 HP</b>											
n <sub>a</sub> rpm	T <sub>a</sub> lb-in	i ratio	F <sub>Ra</sub> <sup>1)</sup> lb	SEW SF f <sub>B</sub>	HazLoc -NA®				m lbs		
45	141300	40.06	14700	1.15	X	FA	157	(E)DRN	280S4	2500	511
55	114800	32.55	14700	1.40	X	FAF	157	(E)DRN	280S4	2630	510
65	97400	27.60	14600	1.65	X	F	157	(E)DRN	280S4	2550	509
						FF	157	(E)DRN	280S4	2780	510

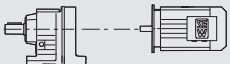

**P<sub>m</sub> = 100 HP**

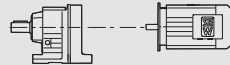

n <sub>a</sub> rpm	T <sub>a</sub> lb-in	i ratio	F <sub>Ra</sub> <sup>1)</sup> lb	SEW SF f <sub>B</sub>	HazLoc -NA®		m lbs	
62	100900	28.60*	14700	1.50	X			
70	89700	25.43	14600	1.50	X			
81	78200	22.16	14400	2.0	X	FA	157	(E)DRN 280S4 2490 511
90	69700	19.77	14200	2.2	X	FAF	157	(E)DRN 280S4 2620 510
106	59400	16.85	13900	2.7	X	F	157	(E)DRN 280S4 2530 509
128	49200	13.96	13500	3.0	X	FF	157	(E)DRN 280S4 2770 510
150	42000	11.92	13100	3.4	X			
71	89300	25.30	9770	1.20	X	FA	127	(E)DRN 280S4 1940 504
						FAF	127	(E)DRN 280S4 2020 503
						F	127	(E)DRN 280S4 2020 502
						FF	127	(E)DRN 280S4 2110 503
84	75400	21.38	10100	1.40	X			
95	66500	18.87	10200	1.45	X			
109	57700	16.36	10100	1.70	X			
123	51300	14.55	10000	1.90	X			
142	44200	12.54	9860	2.0	X	FA	127	(E)DRN 280S4 1910 504
175	35900	10.19	9600	2.3	X	FAF	127	(E)DRN 280S4 1990 503
201	31200	8.86	9260	2.0	X	F	127	(E)DRN 280S4 1990 502
226	27800	7.88	9100	1.90	X	FF	127	(E)DRN 280S4 2090 503
263	23900	6.80	8870	2.6	X			
323	19400	5.52	8520	2.7	X			
381	16500	4.68	8240	3.2	X			



**P<sub>m</sub> = 125 HP**



n <sub>a</sub> rpm	T <sub>a</sub> lb-in	i ratio	F <sub>Ra</sub> <sup>1)</sup> lb	SEW SF f <sub>B</sub>	HazLoc -NA®		m lbs	
55	143600	32.55	13300	1.10	X	FA	157	(E)DRN 280M4 2750 511
65	121800	27.60	13400	1.30	X	FAF	157	(E)DRN 280M4 2880 510
						F	157	(E)DRN 280M4 2800 509
						FF	157	(E)DRN 280M4 3030 510
62	126200	28.60*	13400	1.20	X	FA	157	(E)DRN 280M4/ERF/NS 2740 511
						FAF	157	(E)DRN 280M4/ERF/NS 2870 510
						F	157	(E)DRN 280M4/ERF/NS 2780 509
						FF	157	(E)DRN 280M4/ERF/NS 3020 510
70	112200	25.43	13400	1.20	X			
81	97800	22.16	13400	1.65	X	FA	157	(E)DRN 280M4 2740 511
90	87200	19.77	13300	1.70	X	FAF	157	(E)DRN 280M4 2870 510
106	74300	16.85	13100	2.1	X	F	157	(E)DRN 280M4 2780 509
128	61600	13.96	12800	2.4	X	FF	157	(E)DRN 280M4 3020 510
150	52600	11.92	12600	2.7	X			
83	94300	21.38	8380	1.15	X	FA	127	(E)DRN 280M4/ERF/NS 2160 504
						FAF	127	(E)DRN 280M4/ERF/NS 2240 503
						F	127	(E)DRN 280M4/ERF/NS 2240 502
						FF	127	(E)DRN 280M4/ERF/NS 2340 503
95	83200	18.87	8800	1.15	X			
109	72200	16.36	9130	1.35	X			
123	64200	14.55	9250	1.50	X			
142	55300	12.54	9200	1.60	X	FA	127	(E)DRN 280M4 2160 504
175	44900	10.19	9070	1.85	X	FAF	127	(E)DRN 280M4 2240 503
201	39100	8.86	8770	1.60	X	F	127	(E)DRN 280M4 2240 502
226	34800	7.88	8660	1.55	X	FF	127	(E)DRN 280M4 2340 503
263	29900	6.80	8490	2.1	X			
323	24300	5.52	8220	2.2	X			
381	20600	4.68	7980	2.6	X			



21933480/EN-US - 04/2018

<b>P<sub>m</sub> = 150 HP</b>									<b>m lbs</b>	
<b>n<sub>a</sub></b> rpm	<b>T<sub>a</sub></b> lb-in	<b>i</b> ratio	<b>F<sub>Ra</sub><sup>1)</sup></b> lb	<b>SEW SF</b> f <sub>B</sub>	<b>HazLoc</b> -NA <sup>®</sup>					
<b>65</b>	145700	27.60	12200	1.10	X	<b>FA</b>	<b>157 (E)DRN 315S4</b>	3290	511	
						<b>FAF</b>	<b>157 (E)DRN 315S4</b>	3420	510	
						<b>F</b>	<b>157 (E)DRN 315S4</b>	3340	509	
						<b>FF</b>	<b>157 (E)DRN 315S4</b>	3570	510	
<b>81</b>	116900	22.16	12400	1.35	X	<b>FA</b>	<b>157 (E)DRN 315S4/ERF/NS</b>	3280	511	
						<b>FAF</b>	<b>157 (E)DRN 315S4/ERF/NS</b>	3410	510	
						<b>F</b>	<b>157 (E)DRN 315S4/ERF/NS</b>	3320	509	
						<b>FF</b>	<b>157 (E)DRN 315S4/ERF/NS</b>	3560	510	
<b>91</b>	104300	19.77	12400	1.45	X	<b>FA</b>	<b>157 (E)DRN 315S4</b>	3280	511	
<b>106</b>	88900	16.85	12400	1.80	X	<b>FAF</b>	<b>157 (E)DRN 315S4</b>	3410	510	
<b>128</b>	73700	13.96	12200	2.0	X	<b>F</b>	<b>157 (E)DRN 315S4</b>	3320	509	
<b>150</b>	62900	11.92	12000	2.2	X	<b>FF</b>	<b>157 (E)DRN 315S4</b>	3560	510	

<b>P<sub>m</sub> = 175 HP</b>									<b>m lbs</b>	
<b>n<sub>a</sub></b> rpm	<b>T<sub>a</sub></b> lb-in	<b>i</b> ratio	<b>F<sub>Ra</sub><sup>1)</sup></b> lb	<b>SEW SF</b> f <sub>B</sub>	<b>HazLoc</b> -NA <sup>®</sup>					
<b>81</b>	136400	22.16	11400	1.15	X	<b>FA</b>	<b>157 (E)DRN 315ME4/ERF/NS</b>	3560	511	
						<b>FAF</b>	<b>157 (E)DRN 315ME4/ERF/NS</b>	3680	510	
						<b>F</b>	<b>157 (E)DRN 315ME4/ERF/NS</b>	3600	509	
						<b>FF</b>	<b>157 (E)DRN 315ME4/ERF/NS</b>	3840	510	
<b>91</b>	121700	19.77	11500	1.25	X	<b>FA</b>	<b>157 (E)DRN 315ME4</b>	3560	511	
						<b>FAF</b>	<b>157 (E)DRN 315ME4</b>	3680	510	
						<b>F</b>	<b>157 (E)DRN 315ME4</b>	3600	509	
						<b>FF</b>	<b>157 (E)DRN 315ME4</b>	3840	510	
<b>106</b>	103700	16.85	11600	1.55	X	<b>FA</b>	<b>157 (E)DRN 315ME4</b>	3560	511	
<b>128</b>	85900	13.96	11600	1.75	X	<b>FAF</b>	<b>157 (E)DRN 315ME4</b>	3680	510	
<b>150</b>	73300	11.92	11500	1.95	X	<b>F</b>	<b>157 (E)DRN 315ME4</b>	3600	509	
						<b>FF</b>	<b>157 (E)DRN 315ME4</b>	3840	510	

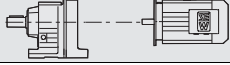

<b>P<sub>m</sub> = 200 HP</b>									<b>m lbs</b>	
<b>n<sub>a</sub></b> rpm	<b>T<sub>a</sub></b> lb-in	<b>i</b> ratio	<b>F<sub>Ra</sub><sup>1)</sup></b> lb	<b>SEW SF</b> f <sub>B</sub>	<b>HazLoc</b> -NA <sup>®</sup>					
<b>106</b>	118700	16.85	10900	1.35	X	<b>FA</b>	<b>157 (E)DRN 315L4</b>	3610	511	
						<b>FAF</b>	<b>157 (E)DRN 315L4</b>	3740	510	
						<b>F</b>	<b>157 (E)DRN 315L4</b>	3660	509	
						<b>FF</b>	<b>157 (E)DRN 315L4</b>	3890	510	
<b>128</b>	98400	13.96	11000	1.55	X	<b>FA</b>	<b>157 (E)DRN 315L4</b>	3610	511	
<b>150</b>	83900	11.92	11000	1.70	X	<b>FAF</b>	<b>157 (E)DRN 315L4</b>	3740	510	
						<b>F</b>	<b>157 (E)DRN 315L4</b>	3660	509	
						<b>FF</b>	<b>157 (E)DRN 315L4</b>	3890	510	

<b>P<sub>m</sub> = 225 HP</b>									<b>m lbs</b>	
<b>n<sub>a</sub></b> rpm	<b>T<sub>a</sub></b> lb-in	<b>i</b> ratio	<b>F<sub>Ra</sub><sup>1)</sup></b> lb	<b>SEW SF</b> f <sub>B</sub>	<b>HazLoc</b> -NA <sup>®</sup>					
<b>106</b>	133600	16.85	10100	1.20	X	<b>FA</b>	<b>157 (E)DRN 315L4</b>	3610	511	
						<b>FAF</b>	<b>157 (E)DRN 315L4</b>	3740	510	
						<b>F</b>	<b>157 (E)DRN 315L4</b>	3660	509	
						<b>FF</b>	<b>157 (E)DRN 315L4</b>	3890	510	
<b>128</b>	110700	13.96	10300	1.35	X	<b>FA</b>	<b>157 (E)DRN 315L4</b>	3610	511	
<b>150</b>	94400	11.92	10400	1.50	X	<b>FAF</b>	<b>157 (E)DRN 315L4</b>	3740	510	
						<b>F</b>	<b>157 (E)DRN 315L4</b>	3660	509	
						<b>FF</b>	<b>157 (E)DRN 315L4</b>	3890	510	

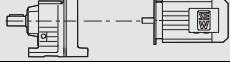

<b>P<sub>m</sub> = 250 HP</b>									<b>m lbs</b>	
<b>n<sub>a</sub></b> rpm	<b>T<sub>a</sub></b> lb-in	<b>i</b> ratio	<b>F<sub>Ra</sub><sup>1)</sup></b> lb	<b>SEW SF</b> f <sub>B</sub>	<b>HazLoc</b> -NA <sup>®</sup>					
<b>106</b>	148100	16.85	9360	1.10	X	<b>FA</b>	<b>157 (E)DRN 315H4/ERF/NS</b>	3870	511	
						<b>FAF</b>	<b>157 (E)DRN 315H4/ERF/NS</b>	4000	510	
						<b>F</b>	<b>157 (E)DRN 315H4/ERF/NS</b>	3920	509	
						<b>FF</b>	<b>157 (E)DRN 315H4/ERF/NS</b>	4150	510	
<b>128</b>	122700	13.96	9720	1.25	X	<b>FA</b>	<b>157 (E)DRN 315H4</b>	3870	511	
<b>150</b>	104700	11.92	9890	1.35	X	<b>FAF</b>	<b>157 (E)DRN 315H4</b>	4000	510	
						<b>F</b>	<b>157 (E)DRN 315H4</b>	3920	509	
						<b>FF</b>	<b>157 (E)DRN 315H4</b>	4150	510	

21933480/EN-US - 04/2018

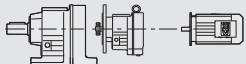

**P<sub>m</sub> = 275 HP**

n <sub>a</sub> rpm	T <sub>a</sub> lb-in	i ratio	F <sub>Ra</sub> <sup>1)</sup> lb	SEW SF f <sub>B</sub>	HazLoc -NA <sup>®</sup>		m lbs		
106	163000	16.85	8600	1.00		FA	157 (E)DRN 315H4/ERF/NS	3870	511
						FAF	157 (E)DRN 315H4/ERF/NS	4000	510
						F	157 (E)DRN 315H4/ERF/NS	3920	509
						FF	157 (E)DRN 315H4/ERF/NS	4150	510
128	135000	13.96	9100	1.10	X	FA	157 (E)DRN 315H4	3870	511
						FAF	157 (E)DRN 315H4	4000	510
						F	157 (E)DRN 315H4	3920	509
						FF	157 (E)DRN 315H4	4150	510
150	115200	11.92	9360	1.25	X	FA	157 (E)DRN 315H4	3870	511
						FAF	157 (E)DRN 315H4	4000	510
						F	157 (E)DRN 315H4	3920	509
						FF	157 (E)DRN 315H4	4150	510

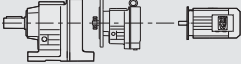

**P<sub>m</sub> = 300 HP**

n <sub>a</sub> rpm	T <sub>a</sub> lb-in	i ratio	F <sub>Ra</sub> <sup>1)</sup> lb	SEW SF f <sub>B</sub>	HazLoc -NA <sup>®</sup>		m lbs		
128	147400	13.96	8470	1.00	X	FA	157 (E)DRN 315H4	3870	511
						FAF	157 (E)DRN 315H4	4000	510
						F	157 (E)DRN 315H4	3920	509
						FF	157 (E)DRN 315H4	4150	510
150	125800	11.92	8830	1.15	X	FA	157 (E)DRN 315H4	3870	511
						FAF	157 (E)DRN 315H4	4000	510
						F	157 (E)DRN 315H4	3920	509
						FF	157 (E)DRN 315H4	4150	510

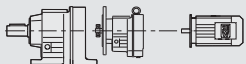

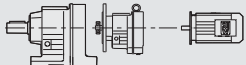

### 9.4 F.. R.. DRS/DRN.. Selections by torque / low output speed

<b>T<sub>a max</sub> = 1150 lb-in</b>								
<b>n<sub>a</sub></b> rpm	<b>i</b>	<b>F<sub>Ra</sub><sup>1)</sup></b> lb					<b>m</b> lbs	
0.19	8972	1010						
0.22	7736	1010						
0.23	7211	1010						
0.27	6303	1010						
0.31	5435	1010	FA	27R17	DR	63S4	29	443/516
0.35	4855	1010	FAF	27R17	DR	63S4	30	442/516
0.40	4243	1010	F	27R17	DR	63S4	30	441/516
0.45	3715	1010	FF	27R17	DR	63S4	32	442/516
0.52	3247	1010						
0.58	2878	1010						
0.67	2515	1010						
0.76	2217	1010						
0.88	1898	1010						
1.0	1645	1010						
1.1	1525	1010						
1.3	1322	1010						
1.5	1146	1010	FA	27R17	DR	63S4	28	443/516
1.7	1013	1010	FAF	27R17	DR	63S4	30	442/516
1.9	890	1010	F	27R17	DR	63S4	29	441/516
2.2	778	1010	FF	27R17	DR	63S4	31	442/516
2.5	682	1010						
2.8	602	1010						
3.2	520	1010						
0.86	1948	1010						
0.92	1826	1010						
1.0	1610	1010						
1.2	1399	1010						
1.4	1230	1010						
1.8	948	1010						
2.0	829	1010						
2.3	731	1010	FA	27R17	DR	63S4	28	443/516
2.6	633	1010	FAF	27R17	DR	63S4	30	442/516
3.0	551	1010	F	27R17	DR	63S4	29	441/516
3.4	489	1010	FF	27R17	DR	63S4	31	442/516
3.9	427	1010						
4.4	379	1010						
5.2	326	1010						
5.8	288	1010						
6.7	251	1010						
7.6	221	1010						
9.9	172	1010	FA	27R17	DRS	71S4	34	443/516
11	153	1010	FAF	27R17	DRS	71S4	35	442/516
13	130	1010	F	27R17	DRS	71S4	35	441/516
			FF	27R17	DRS	71S4	37	442/516
3.7	458	1010						
4.2	397	1010	FA	27R17	DR	63S4	28	443/516
4.9	342	1010	FAF	27R17	DR	63S4	29	442/516
5.6	302	1010	F	27R17	DR	63S4	29	441/516
6.3	266	1010	FF	27R17	DR	63S4	31	442/516
7.1	236	1010						
8.1	211	1010						
9.1	186	1010	FA	27R17	DRS	71S4	33	443/516
12	142	1010	FAF	27R17	DRS	71S4	35	442/516
14	124	1010	F	27R17	DRS	71S4	34	441/516
16	109	1010	FF	27R17	DRS	71S4	36	442/516
18	96	1010						

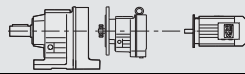

T<sub>a max</sub> = 1760 lb-in

n <sub>a</sub> rpm	i	F <sub>Ra</sub> <sup>1)</sup> lb					m lbs	
0.21	8193	960						
0.24	7064	960						
0.26	6585	960						
0.29	5756	960						
0.34	4963	960						
0.38	4434	960	FA	37R17	DR	63S4	42	448/516
0.43	3875	960	FAF	37R17	DR	63S4	46	447/516
0.50	3392	960	F	37R17	DR	63S4	43	446/516
0.57	2965	960	FF	37R17	DR	63S4	48	447/516
0.65	2587	960						
0.74	2284	960						
0.84	1997	960						
0.96	1742	960						
1.1	1545	960						
0.87	1929	960						
1.0	1679	960						
1.1	1550	960						
1.2	1356	960						
1.4	1180	960						
1.6	1044	960	FA	37R17	DR	63S4	42	448/516
1.8	914	960	FAF	37R17	DR	63S4	45	447/516
2.1	808	960	F	37R17	DR	63S4	43	446/516
2.4	698	960	FF	37R17	DR	63S4	47	447/516
2.7	616	960						
3.1	544	960						
3.6	466	960						
4.1	411	960						
4.6	364	960						
1.2	1370	960						
1.4	1198	960						
1.6	1047	960						
1.8	915	960	FA	37R17	DR	63S4	42	448/516
2.1	807	960	FAF	37R17	DR	63S4	45	447/516
2.4	707	960	F	37R17	DR	63S4	43	446/516
2.7	617	960	FF	37R17	DR	63S4	47	447/516
3.1	538	960						
3.5	477	960						
4.1	412	960						
4.6	365	960						
5.3	322	960						
6.1	278	960						
7.0	242	960						
7.7	221	960	FA	37R17	DRS	71S4	47	448/516
8.7	195	960	FAF	37R17	DRS	71S4	51	447/516
10	168	960	F	37R17	DRS	71S4	48	446/516
12	147	960	FF	37R17	DRS	71S4	53	447/516
13	127	960						
14	121	960						
16	108	960						
18	91	960	FA	37R17	DRS	71M4	50	448/516
			FAF	37R17	DRS	71M4	54	447/516
			F	37R17	DRS	71M4	51	446/516
			FF	37R17	DRS	71M4	55	447/516
5.2	326	960	FA	37R17	DR	63S4	41	448/516
			FAF	37R17	DR	63S4	45	447/516
			F	37R17	DR	63S4	42	446/516
			FF	37R17	DR	63S4	47	447/516
6.0	285	960						
6.8	250	960						
7.8	219	960	FA	37R17	DRS	71S4	47	448/516
9.1	186	960	FAF	37R17	DRS	71S4	50	447/516
10	167	960	F	37R17	DRS	71S4	48	446/516
12	145	960	FF	37R17	DRS	71S4	52	447/516
13	129	960						
14	118	960						

21933480/EN-US - 04/2018

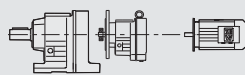

<b>T<sub>a max</sub> = 1760 lb-in</b>								
<b>n<sub>a</sub></b> rpm	<b>i</b>	<b>F<sub>Ra</sub><sup>1)</sup></b> lb					<b>m</b> lbs	
17	98	960	<b>FA</b>	<b>37R17</b>	<b>DRS</b>	<b>71M4</b>	50	448/516
20	87	960	<b>FAF</b>	<b>37R17</b>	<b>DRS</b>	<b>71M4</b>	53	447/516
			<b>F</b>	<b>37R17</b>	<b>DRS</b>	<b>71M4</b>	51	446/516
			<b>FF</b>	<b>37R17</b>	<b>DRS</b>	<b>71M4</b>	55	447/516
<b>T<sub>a max</sub> = 3530 lb-in</b>								
<b>n<sub>a</sub></b> rpm	<b>i</b>	<b>F<sub>Ra</sub><sup>1)</sup></b> lb					<b>m</b> lbs	
0.14	12251	1330						
0.16	10619	1330						
0.17	9846	1330						
0.20	8534	1330						
0.23	7460	1330						
0.26	6536	1330						
0.29	5746	1330	<b>FA</b>	<b>47R17</b>	<b>DR</b>	<b>63S4</b>	53	455/516
0.33	5022	1330	<b>FAF</b>	<b>47R17</b>	<b>DR</b>	<b>63S4</b>	59	454/516
0.38	4401	1330	<b>F</b>	<b>47R17</b>	<b>DR</b>	<b>63S4</b>	55	453/516
0.43	3883	1330	<b>FF</b>	<b>47R17</b>	<b>DR</b>	<b>63S4</b>	62	454/516
0.49	3443	1330						
0.56	2976	1330						
0.64	2629	1330						
0.73	2304	1330						
0.83	2033	1330						
0.67	2519	1330						
0.70	2394	1330						
0.77	2172	1330						
0.83	2025	1330						
0.95	1770	1330	<b>FA</b>	<b>47R17</b>	<b>DR</b>	<b>63S4</b>	51	455/516
1.1	1576	1330	<b>FAF</b>	<b>47R17</b>	<b>DR</b>	<b>63S4</b>	57	454/516
1.2	1363	1330	<b>F</b>	<b>47R17</b>	<b>DR</b>	<b>63S4</b>	53	453/516
1.4	1192	1330	<b>FF</b>	<b>47R17</b>	<b>DR</b>	<b>63S4</b>	60	454/516
1.6	1061	1330						
1.8	931	1330						
2.0	822	1330						
2.4	706	1330	<b>FA</b>	<b>47R17</b>	<b>DRS</b>	<b>71S4</b>	57	455/516
			<b>FAF</b>	<b>47R17</b>	<b>DRS</b>	<b>71S4</b>	63	454/516
2.8	619	1330	<b>F</b>	<b>47R17</b>	<b>DRS</b>	<b>71S4</b>	59	453/516
			<b>FF</b>	<b>47R17</b>	<b>DRS</b>	<b>71S4</b>	66	454/516
0.94	1785	1330						
1.1	1578	1330						
1.2	1364	1330	<b>FA</b>	<b>47R17</b>	<b>DR</b>	<b>63S4</b>	52	455/516
1.4	1203	1330	<b>FAF</b>	<b>47R17</b>	<b>DR</b>	<b>63S4</b>	58	454/516
1.6	1049	1330	<b>F</b>	<b>47R17</b>	<b>DR</b>	<b>63S4</b>	54	453/516
1.8	918	1330	<b>FF</b>	<b>47R17</b>	<b>DR</b>	<b>63S4</b>	61	454/516
2.1	809	1330						
2.4	700	1330						
2.7	622	1330						
3.1	543	1330						
3.6	475	1330						
4.1	419	1330	<b>FA</b>	<b>47R17</b>	<b>DRS</b>	<b>71S4</b>	58	455/516
4.6	370	1330	<b>FAF</b>	<b>47R17</b>	<b>DRS</b>	<b>71S4</b>	64	454/516
5.3	324	1330	<b>F</b>	<b>47R17</b>	<b>DRS</b>	<b>71S4</b>	60	453/516
5.9	288	1330	<b>FF</b>	<b>47R17</b>	<b>DRS</b>	<b>71S4</b>	67	454/516
6.8	249	1330						
7.8	218	1330						
8.7	193	1330	<b>FA</b>	<b>47R17</b>	<b>DRS</b>	<b>71M4</b>	61	455/516
9.7	175	1330	<b>FAF</b>	<b>47R17</b>	<b>DRS</b>	<b>71M4</b>	67	454/516
12	147	1330	<b>F</b>	<b>47R17</b>	<b>DRS</b>	<b>71M4</b>	63	453/516
			<b>FF</b>	<b>47R17</b>	<b>DRS</b>	<b>71M4</b>	70	454/516

**T<sub>a max</sub> = 3530 lb-in**

n <sub>a</sub> rpm	i	F <sub>Ra</sub> <sup>1)</sup> lb					m lbs		
13	130	1330	FA	47R17	DRN	80M4	71	455/516	
			FAF	47R17	DRN	80M4	77	454/516	
			F	47R17	DRN	80M4	72	453/516	
			FF	47R17	DRN	80M4	79	454/516	
3.2	524	1330	FA	47R17	DRS	71S4	56	455/516	
3.5	489	1330		FAF	47R17	DRS	71S4	62	454/516
4.0	427	1330		F	47R17	DRS	71S4	58	453/516
4.5	381	1330		FF	47R17	DRS	71S4	65	454/516
5.1	334	1330							
5.8	295	1330							
6.7	253	1330							
7.8	217	1330							
8.9	190	1330	FA	47R17	DRS	71M4	59	455/516	
9.5	178	1330	FAF	47R17	DRS	71M4	65	454/516	
11	149	1330	F	47R17	DRS	71M4	61	453/516	
			FF	47R17	DRS	71M4	68	454/516	
13	131	1330	FA	47R17	DRN	80M4	69	455/516	
			FAF	47R17	DRN	80M4	75	454/516	
			F	47R17	DRN	80M4	71	453/516	
			FF	47R17	DRN	80M4	78	454/516	

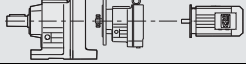

9

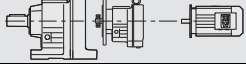

**T<sub>a max</sub> = 5300 lb-in**

n <sub>a</sub> rpm	i	F <sub>Ra</sub> <sup>1)</sup> lb					m lbs	
0.11	14832	2070						
0.12	13604	2070						
0.13	12602	2070						
0.15	11252	2070						
0.17	9986	2070						
0.19	8787	2070						
0.21	7908	2070						
0.24	6913	2070						
0.28	6030	2070						
0.32	5289	2070	FA	57R37	DR	63S4	87	462/516
0.36	4654	2070	FAF	57R37	DR	63S4	99	461/516
0.41	4060	2070	F	57R37	DR	63S4	87	460/516
0.47	3564	2070	FF	57R37	DR	63S4	100	461/516
0.53	3161	2070						
0.61	2737	2070						
0.70	2409	2070						
0.79	2131	2070						
0.91	1840	2070						
1.0	1623	2070						
1.2	1439	2070						
1.4	1238	2070						
0.59	2854	2070						
0.65	2576	2070						
0.74	2266	2070	FA	57R37	DR	63S4	85	462/516
0.83	2012	2070	FAF	57R37	DR	63S4	97	461/516
0.94	1791	2070	F	57R37	DR	63S4	86	460/516
1.0	1617	2070	FF	57R37	DR	63S4	100	461/516
1.2	1422	2070						
1.4	1243	2070						
1.6	1066	2070						
1.8	949	2070	FA	57R37	DRS	71S4	91	462/516
2.0	856	2070	FAF	57R37	DRS	71S4	105	461/516
2.3	749	2070	F	57R37	DRS	71S4	92	460/516
2.6	658	2070	FF	57R37	DRS	71S4	105	461/516
3.1	549	2070						
3.5	483	2070						

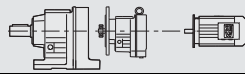

21933480/EN-US - 04/2018



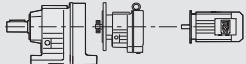

<b>T<sub>a max</sub> = 5300 lb-in</b>								
<b>n<sub>a</sub></b> rpm	<b>i</b>	<b>F<sub>Ra</sub><sup>1)</sup></b> lb					<b>m</b> lbs	
1.5	1106	2070	FA	57R37	DR	63S4	86	462/516
			FAF	57R37	DR	63S4	98	461/516
			F	57R37	DR	63S4	87	460/516
			FF	57R37	DR	63S4	100	461/516
1.8	967	2070	FA FAF F FF	57R37	DRS	71S4	92	462/516
2.0	851	2070		57R37	DRS	71S4	105	461/516
2.3	738	2070		57R37	DRS	71S4	92	460/516
2.6	646	2070		57R37	DRS	71S4	105	461/516
3.0	558	2070		57R37	DRS	71S4	92	460/516
3.4	506	2070		57R37	DRS	71S4	105	461/516
3.8	452	2070		57R37	DRS	71S4	92	460/516
4.4	386	2070		57R37	DRS	71S4	105	461/516
5.0	338	2070	57R37	DRS	71S4	92	460/516	
6.6	255	2070	FA	57R37	DRS	71M4	94	462/516
			FAF	57R37	DRS	71M4	105	461/516
			F	57R37	DRS	71M4	95	460/516
			FF	57R37	DRS	71M4	110	461/516
8.7	201	2070	FA	57R37	DRN	80M4	105	462/516
			FAF	57R37	DRN	80M4	115	461/516
			F	57R37	DRN	80M4	105	460/516
			FF	57R37	DRN	80M4	120	461/516
9.7	181	2070	FA	57R37	DRN	80M4	105	462/516
			FAF	57R37	DRN	80M4	115	461/516
			F	57R37	DRN	80M4	105	460/516
			FF	57R37	DRN	80M4	120	461/516
11	155	2070	FA	57R37	DRN	90S4	120	462/516
			FAF	57R37	DRN	90S4	130	461/516
			F	57R37	DRN	90S4	120	460/516
			FF	57R37	DRN	90S4	130	461/516
4.0	426	2070	FA	57R37	DRS	71S4	91	462/516
			FAF	57R37	DRS	71S4	105	461/516
			F	57R37	DRS	71S4	91	460/516
			FF	57R37	DRS	71S4	105	461/516
5.7	298	2070	FA	57R37	DRS	71M4	93	462/516
			FAF	57R37	DRS	71M4	105	461/516
			F	57R37	DRS	71M4	94	460/516
			FF	57R37	DRS	71M4	110	461/516
6.4	262	2070	FA	57R37	DRS	71M4	93	462/516
			FAF	57R37	DRS	71M4	105	461/516
			F	57R37	DRS	71M4	94	460/516
			FF	57R37	DRS	71M4	110	461/516
7.5	226	2070	FA	57R37	DRS	71M4	93	462/516
			FAF	57R37	DRS	71M4	105	461/516
			F	57R37	DRS	71M4	94	460/516
			FF	57R37	DRS	71M4	110	461/516
8.7	200	2070	FA	57R37	DRN	80M4	105	462/516
			FAF	57R37	DRN	80M4	115	461/516
			F	57R37	DRN	80M4	105	460/516
			FF	57R37	DRN	80M4	120	461/516
10	170	2070	FA	57R37	DRN	80M4	105	462/516
			FAF	57R37	DRN	80M4	115	461/516
			F	57R37	DRN	80M4	105	460/516
			FF	57R37	DRN	80M4	120	461/516
12	152	2070	FA	57R37	DRN	90S4	115	462/516
			FAF	57R37	DRN	90S4	130	461/516
			F	57R37	DRN	90S4	115	460/516
			FF	57R37	DRN	90S4	130	461/516
13	134	2070	FA	57R37	DRN	90S4	115	462/516
			FAF	57R37	DRN	90S4	130	461/516
			F	57R37	DRN	90S4	115	460/516
			FF	57R37	DRN	90S4	130	461/516

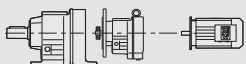

<b>T<sub>a max</sub> = 7250 lb-in</b>								
<b>n<sub>a</sub></b> rpm	<b>i</b>	<b>F<sub>Ra</sub><sup>1)</sup></b> lb					<b>m</b> lbs	
0.09	19199	2320	FA FAF F FF	67R37	DR	63S4	95	469/516
0.10	17610	2320						
0.11	14992	2320						
0.13	12926	2320						
0.15	11480	2320						
0.16	10220	2320						
0.19	8933	2320						
0.21	7940	2320						
0.24	7096	2320						
0.28	6080	2320						
0.31	5341	2320						
0.36	4690	2320						
0.41	4091	2320						
0.47	3574	2320						
0.54	3133	2320						
0.61	2756	2320						
0.69	2439	2320						

T<sub>a max</sub> = 7250 lb-in

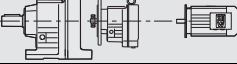

n <sub>a</sub> rpm	i	F <sub>Ra</sub> <sup>1)</sup> lb					m lbs	
0.50	3377	2320						
0.58	2912	2320						
0.62	2714	2320	FA	67R37	DR	63S4	93	469/516
0.71	2372	2320	FAF	67R37	DR	63S4	105	468/516
0.79	2126	2320	F	67R37	DR	63S4	99	467/516
0.90	1859	2320	FF	67R37	DR	63S4	110	468/516
1.0	1631	2320						
1.2	1437	2320						
1.4	1256	2320						
1.5	1126	2320	FA	67R37	DRS	71S4	99	469/516
1.7	984	2320	FAF	67R37	DRS	71S4	115	468/516
2.0	864	2320	F	67R37	DRS	71S4	105	467/516
2.4	722	2320	FF	67R37	DRS	71S4	120	468/516
2.7	634	2320						
3.2	539	2320						
0.80	2106	2320	FA	67R37	DR	63S4	95	469/516
0.89	1884	2320	FAF	67R37	DR	63S4	110	468/516
1.0	1635	2320	F	67R37	DR	63S4	100	467/516
			FF	67R37	DR	63S4	115	468/516
1.2	1429	2320						
1.3	1271	2320						
1.5	1102	2320	FA	67R37	DRS	71S4	100	469/516
1.8	970	2320	FAF	67R37	DRS	71S4	115	468/516
2.0	858	2320	F	67R37	DRS	71S4	105	467/516
2.2	755	2320	FF	67R37	DRS	71S4	120	468/516
2.6	641	2320						
3.0	572	2320						
3.3	509	2320						
3.9	437	2320	FA	67R37	DRS	71M4	105	469/516
4.4	384	2320	FAF	67R37	DRS	71M4	115	468/516
5.0	338	2320	F	67R37	DRS	71M4	110	467/516
5.5	305	2320	FF	67R37	DRS	71M4	125	468/516
6.8	257	2320	FA	67R37	DRN	80M4	115	469/516
7.6	231	2320	FAF	67R37	DRN	80M4	125	468/516
			F	67R37	DRN	80M4	120	467/516
			FF	67R37	DRN	80M4	135	468/516
8.6	205	2320	FA	67R37	DRN	90S4	125	469/516
10	175	2320	FAF	67R37	DRN	90S4	140	468/516
			F	67R37	DRN	90S4	130	467/516
			FF	67R37	DRN	90S4	145	468/516
3.4	500	2320	FA	67R37	DRS	71S4	98	469/516
3.8	454	2320	FAF	67R37	DRS	71S4	110	468/516
			F	67R37	DRS	71S4	105	467/516
			FF	67R37	DRS	71S4	120	468/516
4.3	392	2320	FA	67R37	DRS	71M4	100	469/516
5.1	333	2320	FAF	67R37	DRS	71M4	115	468/516
5.7	297	2320	F	67R37	DRS	71M4	105	467/516
			FF	67R37	DRS	71M4	120	468/516
6.7	261	2320	FA	67R37	DRN	80M4	110	469/516
7.4	238	2320	FAF	67R37	DRN	80M4	125	468/516
			F	67R37	DRN	80M4	115	467/516
			FF	67R37	DRN	80M4	130	468/516
8.8	200	2320	FA	67R37	DRN	90S4	125	469/516
10	176	2320	FAF	67R37	DRN	90S4	140	468/516
			F	67R37	DRN	90S4	130	467/516
			FF	67R37	DRN	90S4	145	468/516

21933480/EN-US - 04/2018

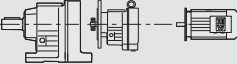

<b>T<sub>a max</sub> = 9820 lb-in</b>									
<b>n<sub>a</sub></b> rpm	<b>i</b>	<b>F<sub>Ra</sub><sup>1)</sup></b> lb					<b>m</b> lbs		
0.34	4931	4010							
0.37	4523	4010							
0.44	3851	4010							
0.51	3320	4010	FA	77R37	DR	63S4	140	476/516	
0.54	3095	4010	FAF	77R37	DR	63S4	155	475/516	
0.62	2705	4010	F	77R37	DR	63S4	150	474/516	
0.66	2536	4010	FF	77R37	DR	63S4	175	475/516	
0.75	2238	4010							
0.82	2039	4010							
0.97	1759	4010							
1.0	1639	4010							
1.2	1433	4010	FA	77R37	DRS	71S4	145	476/516	
1.3	1343	4010	FAF	77R37	DRS	71S4	160	475/516	
1.4	1185	4010	F	77R37	DRS	71S4	155	474/516	
1.6	1051	4010	FF	77R37	DRS	71S4	180	475/516	
1.9	893	4010							
2.1	815	4010	FA	77R37	DRS	71S4	145	476/516	
2.4	706	4010	FAF	77R37	DRS	71S4	160	475/516	
2.6	660	4010	F	77R37	DRS	71S4	155	474/516	
			FF	77R37	DRS	71S4	180	475/516	
3.0	571	4010	FA	77R37	DRS	71M4	150	476/516	
3.5	485	4010	FAF	77R37	DRS	71M4	165	475/516	
3.9	433	4010	F	77R37	DRS	71M4	155	474/516	
			FF	77R37	DRS	71M4	180	475/516	
4.7	370	4010	FA	77R37	DRN	80M4	160	476/516	
5.1	346	4010	FAF	77R37	DRN	80M4	175	475/516	
			F	77R37	DRN	80M4	170	474/516	
			FF	77R37	DRN	80M4	190	475/516	
6.0	292	4010	FA	77R37	DRN	90S4	170	476/516	
			FAF	77R37	DRN	90S4	185	475/516	
			F	77R37	DRN	90S4	180	474/516	
			FF	77R37	DRN	90S4	205	475/516	

<b>T<sub>a max</sub> = 13200 lb-in</b>									
<b>n<sub>a</sub></b> rpm	<b>i</b>	<b>F<sub>Ra</sub><sup>1)</sup></b> lb					<b>m</b> lbs		
0.09	19180	3530							
0.10	17593	3530							
0.10	16128	3530							
0.11	14978	3530							
0.12	13731	3530							
0.14	12049	3530							
0.15	11035	3530							
0.17	9683	3530	FA	77R37	DR	63S4	145	476/516	
0.20	8464	3530	FAF	77R37	DR	63S4	160	475/516	
0.22	7520	3530	F	77R37	DR	63S4	155	474/516	
0.26	6580	3530	FF	77R37	DR	63S4	175	475/516	
0.29	5808	3530							
0.33	5026	3530							
0.38	4435	3530							
0.44	3832	3530							
0.50	3381	3530							
0.56	2978	3530							
0.64	2613	3530							
0.74	2284	3530	FA	77R37	DRS	71S4	150	476/516	
0.84	2029	3530	FAF	77R37	DRS	71S4	165	475/516	
			F	77R37	DRS	71S4	160	474/516	
			FF	77R37	DRS	71S4	180	475/516	

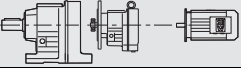

**T<sub>a max</sub> = 13200 lb-in**

n <sub>a</sub> rpm	i	F <sub>Ra</sub> <sup>1)</sup> lb					m lbs	
0.98	1728	3530						
1.1	1544	3530	FA	77R37	DRS	71S4	150	476/516
1.3	1354	3530	FAF	77R37	DRS	71S4	165	475/516
1.4	1200	3530	F	77R37	DRS	71S4	160	474/516
1.6	1053	3530	FF	77R37	DRS	71S4	180	475/516
1.9	910	3530						
2.1	810	3530	FA	77R37	DRS	71M4	150	476/516
2.4	710	3530	FAF	77R37	DRS	71M4	165	475/516
2.8	615	3530	F	77R37	DRS	71M4	160	474/516
3.1	538	3530	FF	77R37	DRS	71M4	185	475/516
3.6	480	3530	FA	77R37	DRN	80M4	160	476/516
			FAF	77R37	DRN	80M4	175	475/516
4.2	413	3530	F	77R37	DRN	80M4	170	474/516
			FF	77R37	DRN	80M4	195	475/516
4.8	367	3530	FA	77R37	DRN	90S4	175	476/516
			FAF	77R37	DRN	90S4	190	475/516
5.5	323	3530	F	77R37	DRN	90S4	185	474/516
6.3	280	3530	FF	77R37	DRN	90S4	205	475/516
7.2	247	3530	FA	77R37	DRN	90L4	180	476/516
			FAF	77R37	DRN	90L4	195	475/516
8.0	221	3530	F	77R37	DRN	90L4	190	474/516
			FF	77R37	DRN	90L4	215	475/516
8.9	199	3530	FA	77R37	DRN	100LM4	205	476/516
			FAF	77R37	DRN	100LM4	220	475/516
			F	77R37	DRN	100LM4	215	474/516
			FF	77R37	DRN	100LM4	240	475/516

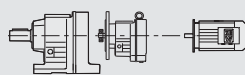

**T<sub>a max</sub> = 26500 lb-in**

n <sub>a</sub> rpm	i	F <sub>Ra</sub> <sup>1)</sup> lb					m lbs	
0.07	23042	4450						
0.08	20462	4450						
0.09	18238	4450						
0.11	15877	4450						
0.12	14099	4450	FA	87R57	DR	63S4	260	483/516
0.14	12205	4450	FAF	87R57	DR	63S4	290	482/516
0.16	10433	4450	F	87R57	DR	63S4	275	481/516
0.18	9381	4450	FF	87R57	DR	63S4	305	482/516
0.21	8142	4450						
0.24	7100	4450						
0.27	6273	4450						
0.31	5510	4450	FA	87R57	DRS	71S4	265	483/516
0.34	4954	4450	FAF	87R57	DRS	71S4	295	482/516
0.40	4245	4450	F	87R57	DRS	71S4	280	481/516
0.46	3721	4450	FF	87R57	DRS	71S4	315	482/516
0.34	4952	4450						
0.37	4562	4450						
0.43	3919	4450						
0.49	3503	4450	FA	87R57	DRS	71S4	260	483/516
0.53	3196	4450	FAF	87R57	DRS	71S4	285	482/516
0.60	2857	4450	F	87R57	DRS	71S4	270	481/516
0.67	2524	4450	FF	87R57	DRS	71S4	305	482/516
0.80	2134	4450						
0.89	1913	4450						
0.99	1717	4450						
1.1	1476	4450	FA	87R57	DRS	71M4	260	483/516
1.3	1278	4450	FAF	87R57	DRS	71M4	290	482/516
1.5	1142	4450	F	87R57	DRS	71M4	275	481/516
			FF	87R57	DRS	71M4	310	482/516

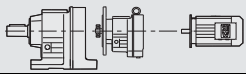

21933480/EN-US - 04/2018

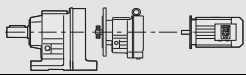

<b>T<sub>a max</sub> = 26500 lb-in</b>								
<b>n<sub>a</sub></b> rpm	<b>i</b>	<b>F<sub>Ra</sub><sup>1)</sup></b> lb					<b>m</b> lbs	
1.8 2.0	988 883	4450 4450	FA	87R57	DRN	80M4	275	483/516
			FAF	87R57	DRN	80M4	300	482/516
			F	87R57	DRN	80M4	285	481/516
			FF	87R57	DRN	80M4	320	482/516
2.4	748	4450	FA	87R57	DRN	90S4	285	483/516
			FAF	87R57	DRN	90S4	315	482/516
			F	87R57	DRN	90S4	300	481/516
			FF	87R57	DRN	90S4	335	482/516
0.52 0.59 0.66 0.77 0.88 0.99	3244 2881 2576 2199 1930 1709	4450 4450 4450 4450 4450 4450	FA	87R57	DRS	71S4	265	483/516
			FAF	87R57	DRS	71S4	290	482/516
			F	87R57	DRS	71S4	275	481/516
			FF	87R57	DRS	71S4	310	482/516
1.1 1.3 1.5	1493 1300 1148	4450 4450 4450	FA	87R57	DRS	71M4	265	483/516
			FAF	87R57	DRS	71M4	295	482/516
			F	87R57	DRS	71M4	280	481/516
			FF	87R57	DRS	71M4	315	482/516
1.7 2.0	1010 887	4450 4450	FA	87R57	DRN	80M4	275	483/516
			FAF	87R57	DRN	80M4	305	482/516
			F	87R57	DRN	80M4	290	481/516
			FF	87R57	DRN	80M4	325	482/516
2.3 2.6 2.9	780 674 609	4450 4450 4450	FA	87R57	DRN	90S4	290	483/516
			FAF	87R57	DRN	90S4	320	482/516
			F	87R57	DRN	90S4	305	481/516
			FF	87R57	DRN	90S4	340	482/516
3.4 3.9	515 452	4450 4450	FA	87R57	DRN	90L4	300	483/516
			FAF	87R57	DRN	90L4	325	482/516
			F	87R57	DRN	90L4	310	481/516
			FF	87R57	DRN	90L4	345	482/516
5.1 5.9	345 300	4450 4450	FA	87R57	DRN	100LM4	320	483/516
			FAF	87R57	DRN	100LM4	350	482/516
			F	87R57	DRN	100LM4	335	481/516
			FF	87R57	DRN	100LM4	370	482/516
7.1	249	4450	FA	87R57	DRN	100L4	320	483/516
			FAF	87R57	DRN	100L4	350	482/516
			F	87R57	DRN	100L4	335	481/516
			FF	87R57	DRN	100L4	370	482/516
2.7 3.0	662 592	4450 4450	FA	87R57	DRN	90S4	285	483/516
			FAF	87R57	DRN	90S4	310	482/516
			F	87R57	DRN	90S4	295	481/516
			FF	87R57	DRN	90S4	330	482/516
3.4 3.8	519 468	4450 4450	FA	87R57	DRN	90L4	290	483/516
			FAF	87R57	DRN	90L4	320	482/516
			F	87R57	DRN	90L4	305	481/516
			FF	87R57	DRN	90L4	340	482/516
4.4 5.0 5.6 6.3	398 350 315 281	4450 4450 4450 4450	FA	87R57	DRN	100LM4	315	483/516
			FAF	87R57	DRN	100LM4	345	482/516
			F	87R57	DRN	100LM4	330	481/516
			FF	87R57	DRN	100LM4	365	482/516
7.3 8.3 9.1	240 211 193	4450 4450 4450	FA	87R57	DRN	100L4	315	483/516
			FAF	87R57	DRN	100L4	345	482/516
			F	87R57	DRN	100L4	330	481/516
			FF	87R57	DRN	100L4	365	482/516

**T<sub>a</sub> max = 38000 lb-in**

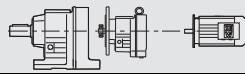

n <sub>a</sub> rpm	i	F <sub>Ra</sub> <sup>1)</sup> lb					m lbs	
0.06	29211	6720						
0.06	26911	6720						
0.07	23814	6720						
0.08	20813	6720						
0.09	18119	6720	FA	97R57	DR	63S4	405 490/516	
0.11	15472	6720	FAF	97R57	DR	63S4	455 489/516	
0.12	14022	6720	F	97R57	DR	63S4	420 488/516	
0.14	12324	6720	FF	97R57	DR	63S4	495 489/516	
0.16	10838	6720						
0.18	9576	6720						
0.20	8318	6720						
0.23	7328	6720	FA	97R57	DRS	71S4	410 490/516	
0.26	6469	6720	FAF	97R57	DRS	71S4	460 489/516	
0.30	5615	6720	F	97R57	DRS	71S4	425 488/516	
0.34	4961	6720	FF	97R57	DRS	71S4	500 489/516	
0.39	4333	6720						
0.27	6338	6720						
0.30	5680	6720						
0.34	5016	6720	FA	97R57	DRS	71S4	395 490/516	
0.39	4367	6720	FAF	97R57	DRS	71S4	445 489/516	
0.43	3914	6720	F	97R57	DRS	71S4	415 488/516	
0.51	3357	6720	FF	97R57	DRS	71S4	485 489/516	
0.57	3009	6720						
0.69	2448	6720						
0.77	2199	6720	FA	97R57	DRS	71M4	400 490/516	
0.86	1971	6720	FAF	97R57	DRS	71M4	445 489/516	
0.97	1741	6720	F	97R57	DRS	71M4	415 488/516	
			FF	97R57	DRS	71M4	490 489/516	
1.2	1468	6720	FA	97R57	DRN	80M4	410 490/516	
1.3	1316	6720	FAF	97R57	DRN	80M4	460 489/516	
1.5	1189	6720	F	97R57	DRN	80M4	425 488/516	
			FF	97R57	DRN	80M4	500 489/516	
1.7	1023	6720	FA	97R57	DRN	90S4	425 490/516	
			FAF	97R57	DRN	90S4	470 489/516	
			F	97R57	DRN	90S4	440 488/516	
			FF	97R57	DRN	90S4	510 489/516	
0.44	3906	6720	FA	97R57	DRS	71S4	410 490/516	
0.51	3352	6720	FAF	97R57	DRS	71S4	455 489/516	
0.58	2907	6720	F	97R57	DRS	71S4	425 488/516	
0.67	2553	6720	FF	97R57	DRS	71S4	495 489/516	
0.75	2245	6720	FA	97R57	DRS	71M4	410 490/516	
0.86	1970	6720	FAF	97R57	DRS	71M4	460 489/516	
0.98	1722	6720	F	97R57	DRS	71M4	425 488/516	
1.1	1527	6720	FF	97R57	DRS	71M4	500 489/516	
1.3	1327	6720	FA	97R57	DRN	80M4	420 490/516	
1.5	1171	6720	FAF	97R57	DRN	80M4	470 489/516	
			F	97R57	DRN	80M4	440 488/516	
			FF	97R57	DRN	80M4	510 489/516	
1.7	1022	6720	FA	97R57	DRN	90S4	435 490/516	
2.0	898	6720	FAF	97R57	DRN	90S4	485 489/516	
2.2	784	6720	F	97R57	DRN	90S4	450 488/516	
			FF	97R57	DRN	90S4	520 489/516	
2.6	690	6720	FA	97R57	DRN	90L4	440 490/516	
2.9	605	6720	FAF	97R57	DRN	90L4	490 489/516	
			F	97R57	DRN	90L4	460 488/516	
			FF	97R57	DRN	90L4	530 489/516	
3.3	529	6720	FA	97R57	DRN	100LM4	465 490/516	
3.8	467	6720	FAF	97R57	DRN	100LM4	510 489/516	
4.4	406	6720	F	97R57	DRN	100LM4	485 488/516	
			FF	97R57	DRN	100LM4	560 489/516	

21933480/EN-US - 04/2018

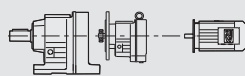

<b>T<sub>a max</sub> = 38000 lb-in</b>								
<b>n<sub>a</sub></b> rpm	<b>i</b>	<b>F<sub>Ra</sub><sup>1)</sup></b> lb					<b>m</b> lbs	
4.8	363	6720	FA	97R57	DRN	100L4	465	490/516
6.2	285	6720	FAF	97R57	DRN	100L4	510	489/516
7.2	245	6720	F	97R57	DRN	100L4	485	488/516
			FF	97R57	DRN	100L4	560	489/516
8.5	208	6720	FA	97R57	DRN	132S4	510	490/516
			FAF	97R57	DRN	132S4	560	489/516
9.1	195	6720	F	97R57	DRN	132S4	530	488/516
			FF	97R57	DRN	132S4	600	489/516
2.0	892	6720	FA	97R57	DRN	90S4	420	490/516
			FAF	97R57	DRN	90S4	470	489/516
2.3	760	6720	F	97R57	DRN	90S4	440	488/516
			FF	97R57	DRN	90S4	510	489/516
2.6	667	6720	FA	97R57	DRN	90L4	430	490/516
			FAF	97R57	DRN	90L4	475	489/516
			F	97R57	DRN	90L4	445	488/516
			FF	97R57	DRN	90L4	520	489/516
3.1	569	6720	FA	97R57	DRN	100LM4	455	490/516
			FAF	97R57	DRN	100LM4	500	489/516
3.7	473	6720	F	97R57	DRN	100LM4	470	488/516
4.4	403	6720	FF	97R57	DRN	100LM4	540	489/516
4.9	361	6720	FA	97R57	DRN	100L4	455	490/516
			FAF	97R57	DRN	100L4	500	489/516
6.4	275	6720	F	97R57	DRN	100L4	470	488/516
7.3	242	6720	FF	97R57	DRN	100L4	540	489/516

<b>T<sub>a max</sub> = 67900 lb-in</b>								
<b>n<sub>a</sub></b> rpm	<b>i</b>	<b>F<sub>Ra</sub><sup>1)</sup></b> lb					<b>m</b> lbs	
0.07	25375	11200	FA	107R77	DR	63S4	610	497/516
0.08	21652	11200	FAF	107R77	DR	63S4	650	496/516
0.09	18933	11200	F	107R77	DR	63S4	640	495/516
0.10	16888	11200	FF	107R77	DR	63S4	700	496/516
0.15	11348	11200						
0.17	10039	11200						
0.20	8548	11200	FA	107R77	DRS	71S4	610	497/516
0.22	7674	11200	FAF	107R77	DRS	71S4	660	496/516
0.25	6767	11200	F	107R77	DRS	71S4	650	495/516
0.29	5954	11200	FF	107R77	DRS	71S4	710	496/516
0.33	5223	11200						
0.37	4567	11200						
0.43	3948	11200	FA	107R77	DRS	71M4	610	497/516
			FAF	107R77	DRS	71M4	660	496/516
0.48	3521	11200	F	107R77	DRS	71M4	650	495/516
			FF	107R77	DRS	71M4	710	496/516
0.56	3037	11200	FA	107R77	DRS	71M4	610	497/516
			FAF	107R77	DRS	71M4	660	496/516
0.61	2756	11200	F	107R77	DRS	71M4	650	495/516
			FF	107R77	DRS	71M4	710	496/516
0.74	2369	11200	FA	107R77	DRN	80M4	620	497/516
			FAF	107R77	DRN	80M4	670	496/516
			F	107R77	DRN	80M4	660	495/516
			FF	107R77	DRN	80M4	720	496/516
0.85	2068	11200	FA	107R77	DRN	90S4	630	497/516
0.96	1826	11200	FAF	107R77	DRN	90S4	680	496/516
1.1	1597	11200	F	107R77	DRN	90S4	670	495/516
1.3	1401	11200	FF	107R77	DRN	90S4	730	496/516
1.4	1243	11200	FA	107R77	DRN	90L4	640	497/516
			FAF	107R77	DRN	90L4	690	496/516
1.6	1087	11200	F	107R77	DRN	90L4	680	495/516
			FF	107R77	DRN	90L4	740	496/516

**T<sub>a max</sub> = 67900 lb-in**

n <sub>a</sub> rpm	i	F <sub>Ra</sub> <sup>1)</sup> lb					m lbs	
1.9	950	11200	FA	107R77	DRN	100LM4	660	497/516
2.1	834	11200	FAF	107R77	DRN	100LM4	710	496/516
2.4	736	11200	F	107R77	DRN	100LM4	700	495/516
			FF	107R77	DRN	100LM4	760	496/516
2.8	640	11200	FA	107R77	DRN	100L4	660	497/516
3.1	560	11200	FAF	107R77	DRN	100L4	710	496/516
3.6	489	11200	F	107R77	DRN	100L4	700	495/516
4.0	436	11200	FF	107R77	DRN	100L4	760	496/516
4.8	370	11200	FA	107R77	DRN	132S4	710	497/516
5.3	333	11200	FAF	107R77	DRN	132S4	760	496/516
6.1	291	11200	F	107R77	DRN	132S4	750	495/516
			FF	107R77	DRN	132S4	810	496/516
7.0	255	11200	FA	107R77	DRN	132M4	750	497/516
7.9	225	11200	FAF	107R77	DRN	132M4	800	496/516
			F	107R77	DRN	132M4	790	495/516
			FF	107R77	DRN	132M4	850	496/516
9.3	190	11200	FA	107R77	DRN	132L4	770	497/516
			FAF	107R77	DRN	132L4	810	496/516
			F	107R77	DRN	132L4	800	495/516
			FF	107R77	DRN	132L4	870	496/516

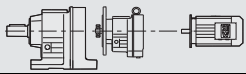

**T<sub>a max</sub> = 69300 lb-in**

n <sub>a</sub> rpm	i	F <sub>Ra</sub> <sup>1)</sup> lb					m lbs	
0.32	5383	11100	FA	107R77	DRS	71S4	590	497/516
0.37	4593	11100	FAF	107R77	DRS	71S4	640	496/516
			F	107R77	DRS	71S4	630	495/516
			FF	107R77	DRS	71S4	690	496/516
0.42	4016	11100	FA	107R77	DRS	71M4	590	497/516
0.44	3815	11100	FAF	107R77	DRS	71M4	640	496/516
0.50	3347	11100	F	107R77	DRS	71M4	630	495/516
0.60	2839	11100	FF	107R77	DRS	71M4	690	496/516
0.68	2563	11100	FA	107R77	DRN	80M4	600	497/516
0.78	2255	11100	FAF	107R77	DRN	80M4	650	496/516
			F	107R77	DRN	80M4	640	495/516
			FF	107R77	DRN	80M4	700	496/516
0.83	2129	11100	FA	107R77	DRN	90S4	610	497/516
0.97	1813	11100	FAF	107R77	DRN	90S4	660	496/516
1.1	1590	11100	F	107R77	DRN	90S4	650	495/516
1.2	1436	11100	FF	107R77	DRN	90S4	710	496/516
1.4	1263	11100	FA	107R77	DRN	90L4	620	497/516
1.5	1193	11100	FAF	107R77	DRN	90L4	670	496/516
			F	107R77	DRN	90L4	660	495/516
			FF	107R77	DRN	90L4	720	496/516
1.7	1015	11100	FA	107R77	DRN	100LM4	650	497/516
1.9	923	11100	FAF	107R77	DRN	100LM4	690	496/516
2.2	800	11100	F	107R77	DRN	100LM4	680	495/516
			FF	107R77	DRN	100LM4	740	496/516
2.5	696	11100	FA	107R77	DRN	100L4	650	497/516
			FAF	107R77	DRN	100L4	690	496/516
			F	107R77	DRN	100L4	680	495/516
			FF	107R77	DRN	100L4	740	496/516
2.7	644	11100	FA	107R77	DRN	100L4	640	497/516
3.0	591	11100	FAF	107R77	DRN	100L4	690	496/516
3.4	518	11100	F	107R77	DRN	100L4	680	495/516
3.6	491	11100	FF	107R77	DRN	100L4	740	496/516
4.1	430	11100						

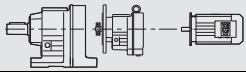

21933480/EN-US - 04/2018



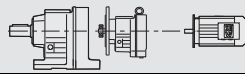

**T<sub>a max</sub> = 69300 lb-in**

n <sub>a</sub> rpm	i	F <sub>Ra</sub> <sup>1)</sup> lb					m lbs	
4.6	387	11100	FA	107R77	DRN	112M4	660	497/516
			FAF	107R77	DRN	112M4	710	496/516
			F	107R77	DRN	112M4	700	495/516
			FF	107R77	DRN	112M4	760	496/516
5.2 5.9	340	11100	FA	107R77	DRN	132S4	690	497/516
			FAF	107R77	DRN	132S4	730	496/516
	300	11100	F	107R77	DRN	132S4	720	495/516
			FF	107R77	DRN	132S4	790	496/516
6.7	266	11100	FA	107R77	DRN	132M4	730	497/516
			FAF	107R77	DRN	132M4	770	496/516
			F	107R77	DRN	132M4	760	495/516
			FF	107R77	DRN	132M4	820	496/516

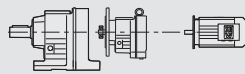

**T<sub>a max</sub> = 106100 lb-in**

n <sub>a</sub> rpm	i	F <sub>Ra</sub> <sup>1)</sup> lb					m lbs			
0.07	24478	20200	FA	127R77	DR	63S4	940	504/516		
			FAF	127R77	DR	63S4	1020	503/516		
			F	127R77	DR	63S4	1020	502/516		
			FF	127R77	DR	63S4	1120	503/516		
0.08	22323	20200								
0.09	19048	20200								
0.10	16656	20200								
0.12	14722	20200	FA	127R77	DRS	71S4	940	504/516		
0.13	12912	20200	FAF	127R77	DRS	71S4	1030	503/516		
0.15	11656	20200	F	127R77	DRS	71S4	1020	502/516		
0.17	10191	20200	FF	127R77	DRS	71S4	1120	503/516		
0.19	8831	20200								
0.22	7643	20200								
0.25	6715	20200								
0.29	5925	20200	FA	127R77	DRS	71M4	950	504/516		
			FAF	127R77	DRS	71M4	1030	503/516		
			F	127R77	DRS	71M4	1030	502/516		
			FF	127R77	DRS	71M4	1130	503/516		
0.33	5153	20200								
			4533	20200	FA	127R77	DRN	80M4	960	504/516
					FAF	127R77	DRN	80M4	1040	503/516
					F	127R77	DRN	80M4	1040	502/516
FF	127R77	DRN			80M4	1140	503/516			
0.45	3926	20200	FA	127R77	DRN	90S4	970	504/516		
			FAF	127R77	DRN	90S4	1050	503/516		
			F	127R77	DRN	90S4	1050	502/516		
			FF	127R77	DRN	90S4	1150	503/516		
0.51	3454	20200	FA	127R77	DRN	90S4	970	504/516		
			FAF	127R77	DRN	90S4	1050	503/516		
			F	127R77	DRN	90S4	1050	502/516		
			FF	127R77	DRN	90S4	1140	503/516		
0.58	3031	20200	FA	127R77	DRN	90L4	970	504/516		
			FAF	127R77	DRN	90L4	1060	503/516		
			F	127R77	DRN	90L4	1050	502/516		
			FF	127R77	DRN	90L4	1150	503/516		
0.66	2672	20200	FA	127R77	DRN	100LM4	1000	504/516		
			FAF	127R77	DRN	100LM4	1080	503/516		
			F	127R77	DRN	100LM4	1080	502/516		
			FF	127R77	DRN	100LM4	1180	503/516		
0.75	2357	20200	FA	127R77	DRN	100L4	1000	504/516		
			FAF	127R77	DRN	100L4	1080	503/516		
			F	127R77	DRN	100L4	1080	502/516		
			FF	127R77	DRN	100L4	1180	503/516		
0.87	2038	20200	FA	127R77	DRN	132S4	1040	504/516		
			FAF	127R77	DRN	132S4	1130	503/516		
			F	127R77	DRN	132S4	1120	502/516		
			FF	127R77	DRN	132S4	1220	503/516		
0.99	1784	20200								
			428	20200	FA	127R77	DRN	132S4	1040	504/516
					FAF	127R77	DRN	132S4	1130	503/516
					F	127R77	DRN	132S4	1120	502/516
FF	127R77	DRN			132S4	1220	503/516			

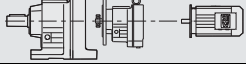

**T<sub>a max</sub> = 106100 lb-in**

n <sub>a</sub> rpm	i	F <sub>Ra</sub> <sup>1)</sup> lb					m lbs	
4.7	376	20200	FA	127R77	DRN	132M4	1080	504/516
			FAF	127R77	DRN	132M4	1170	503/516
			F	127R77	DRN	132M4	1160	502/516
			FF	127R77	DRN	132M4	1260	503/516
3.7	483	20200	FA	127R87	DRN	132S4	1090	504/516
			FAF	127R87	DRN	132S4	1170	503/516
			F	127R87	DRN	132S4	1170	502/516
			FF	127R87	DRN	132S4	1270	503/516
4.2	418	20200	FA	127R87	DRN	132M4	1130	504/516
			FAF	127R87	DRN	132M4	1210	503/516
4.8	374	20200	F	127R87	DRN	132M4	1210	502/516
			FF	127R87	DRN	132M4	1310	503/516
5.7	312	20200	FA	127R87	DRN	132L4	1150	504/516
			FAF	127R87	DRN	132L4	1230	503/516
6.1	293	20200	F	127R87	DRN	132L4	1230	502/516
			FF	127R87	DRN	132L4	1330	503/516
6.9	259	20200	FA	127R87	DRN	160M4	1220	504/516
			FAF	127R87	DRN	160M4	1300	503/516
8.0	223	20200	F	127R87	DRN	160M4	1300	502/516
			FF	127R87	DRN	160M4	1400	503/516
9.0	198	20200	FA	127R87	DRN	160L4	1250	504/516
			FAF	127R87	DRN	160L4	1330	503/516
11	166	20200	F	127R87	DRN	160L4	1330	502/516
			FF	127R87	DRN	160L4	1430	503/516

**T<sub>a max</sub> = 159200 lb-in**

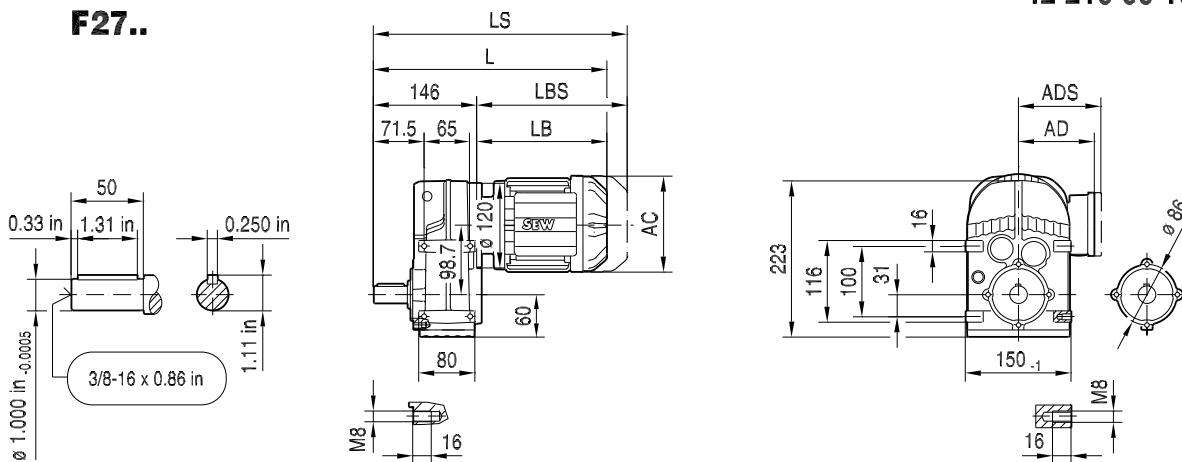
n <sub>a</sub> rpm	i	F <sub>Ra</sub> <sup>1)</sup> lb					m lbs	
0.05	31434	22500						
0.06	26173	22500						
0.07	23464	22500	FA	157R97	DRS	71M4	1690	511/516
0.08	20212	22500	FAF	157R97	DRS	71M4	1820	510/516
0.09	17984	22500	F	157R97	DRS	71M4	1740	509/516
0.10	16358	22500	FF	157R97	DRS	71M4	1970	510/516
0.12	13751	22500						
0.14	12235	22500						
0.17	10033	22500	FA	157R97	DRN	80M4	1700	511/516
			FAF	157R97	DRN	80M4	1830	510/516
0.19	9021	22500	F	157R97	DRN	80M4	1750	509/516
			FF	157R97	DRN	80M4	1980	510/516
0.22	8026	22500						
0.24	7075	22500	FA	157R97	DRS	71M4	1690	511/516
			FAF	157R97	DRS	71M4	1820	510/516
			F	157R97	DRS	71M4	1740	509/516
			FF	157R97	DRS	71M4	1970	510/516
0.28	6295	22500	FA	157R97	DRN	80M4	1700	511/516
			FAF	157R97	DRN	80M4	1830	510/516
			F	157R97	DRN	80M4	1750	509/516
			FF	157R97	DRN	80M4	1980	510/516
0.33	5404	22500	FA	157R97	DRN	90S4	1710	511/516
			FAF	157R97	DRN	90S4	1840	510/516
0.36	4831	22500	F	157R97	DRN	90S4	1760	509/516
			FF	157R97	DRN	90S4	1990	510/516
0.43	4130	22500						
0.49	3607	22500	FA	157R97	DRN	100LM4	1750	511/516
			FAF	157R97	DRN	100LM4	1870	510/516
			F	157R97	DRN	100LM4	1790	509/516
			FF	157R97	DRN	100LM4	2030	510/516
0.55	3210	22500						
0.64	2780	22500	FA	157R97	DRN	90L4	1720	511/516
			FAF	157R97	DRN	90L4	1850	510/516
			F	157R97	DRN	90L4	1770	509/516
			FF	157R97	DRN	90L4	2000	510/516

21933480/EN-US - 04/2018

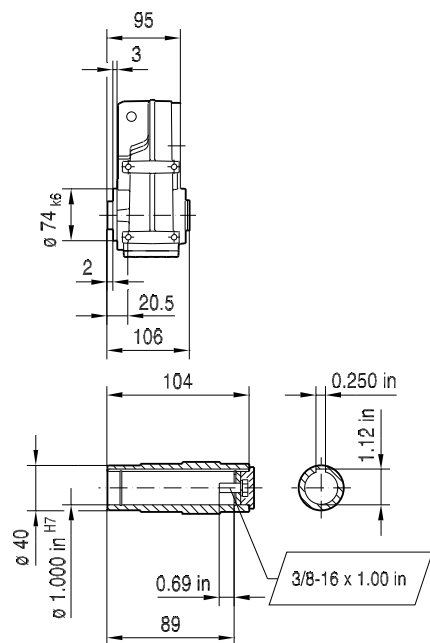
<b>T<sub>a max</sub> = 159200 lb-in</b>								
<b>n<sub>a</sub></b> rpm	<b>i</b>	<b>F<sub>Ra</sub><sup>1)</sup></b> lb					<b>m</b> lbs	
1.2	1441	22500	FA	157R97	DRN	100L4	1750	511/516
			FAF	157R97	DRN	100L4	1870	510/516
			F	157R97	DRN	100L4	1790	509/516
			FF	157R97	DRN	100L4	2030	510/516
0.73 0.81 0.91 1.1	2427 2185 1944 1674	22500	FA	157R97	DRN	100LM4	1740	511/516
			FAF	157R97	DRN	100LM4	1870	510/516
			F	157R97	DRN	100LM4	1780	509/516
			FF	157R97	DRN	100LM4	2020	510/516
1.4 1.5	1308 1169	22500	FA	157R97	DRN	100L4	1740	511/516
			FAF	157R97	DRN	100L4	1870	510/516
			F	157R97	DRN	100L4	1780	509/516
			FF	157R97	DRN	100L4	2020	510/516
1.9	953	22500	FA	157R97	DRN	112M4	1760	511/516
			FAF	157R97	DRN	112M4	1890	510/516
			F	157R97	DRN	112M4	1800	509/516
			FF	157R97	DRN	112M4	2040	510/516
2.1 2.3 2.6	845 764 680	22500	FA	157R97	DRN	132S4	1780	511/516
			FAF	157R97	DRN	132S4	1910	510/516
			F	157R97	DRN	132S4	1830	509/516
			FF	157R97	DRN	132S4	2060	510/516
3.1 3.5	576 503	22500	FA	157R97	DRN	132M4	1820	511/516
			FAF	157R97	DRN	132M4	1950	510/516
			F	157R97	DRN	132M4	1870	509/516
			FF	157R97	DRN	132M4	2100	510/516
4.0	446	22500	FA	157R97	DRN	132L4	1840	511/516
			FAF	157R97	DRN	132L4	1970	510/516
			F	157R97	DRN	132L4	1890	509/516
			FF	157R97	DRN	132L4	2120	510/516
5.0	353	22500	FA	157R97	DRN	160M4	1910	511/516
			FAF	157R97	DRN	160M4	2040	510/516
			F	157R97	DRN	160M4	1960	509/516
			FF	157R97	DRN	160M4	2190	510/516
5.9 6.5	302 273	22500	FA	157R97	DRN	160L4	1950	511/516
			FAF	157R97	DRN	160L4	2080	510/516
			F	157R97	DRN	160L4	1990	509/516
			FF	157R97	DRN	160L4	2230	510/516
7.7 8.8 9.1	232 202 197	22500	FA	157R97	DRN	180M4	2000	511/516
			FAF	157R97	DRN	180M4	2130	510/516
			F	157R97	DRN	180M4	2040	509/516
			FF	157R97	DRN	180M4	2280	510/516

9.5 F.. DRS/DRN.. Dimensions

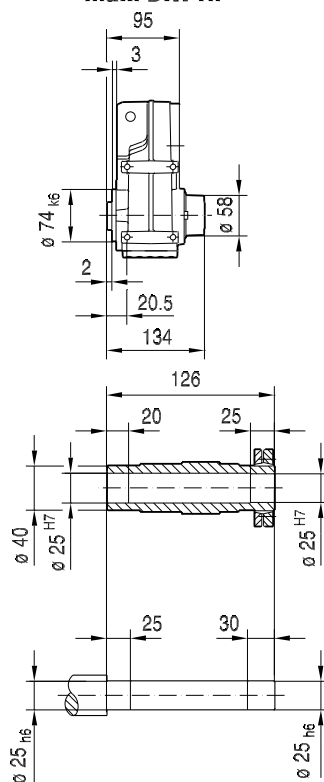
42 210 00 16



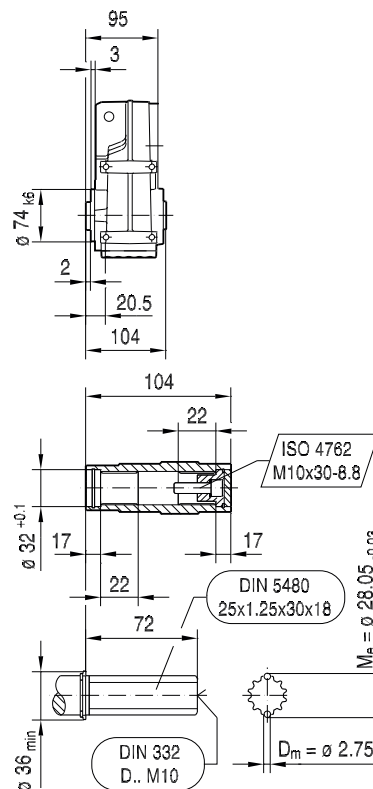
FA27B..



FH27B..  
max. DR71..



FV27B..

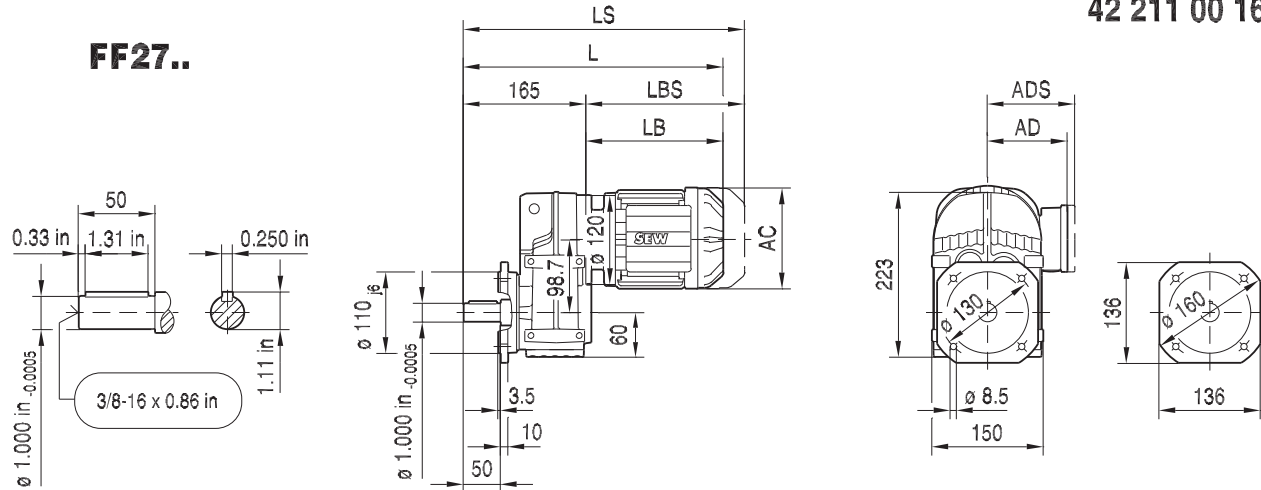


(→ 163)	DR63	DRS71S	DRS71M	DRN80MS	DRN80M	DRN90S	DRN90L	DRN100/LM
AC	132	139	139	156	156	179	179	197
AD	105	119	119	128	128	140	140	157
ADS	105	129	129	139	139	150	150	158
L	337	348	373	400	428	429	461	510
LS	392	416	441	481	509	523	555	604
LB	191	202	227	254	282	283	315	364
LBS	246	270	295	335	363	377	409	458

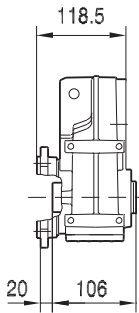
Dimensions in mm unless noted as inch. For all available output shaft diameters, see page 517. For tolerances, see page 163.

21933480/EN-US - 04/2018

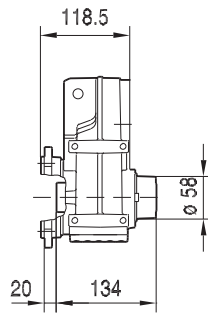
42 211 00 16



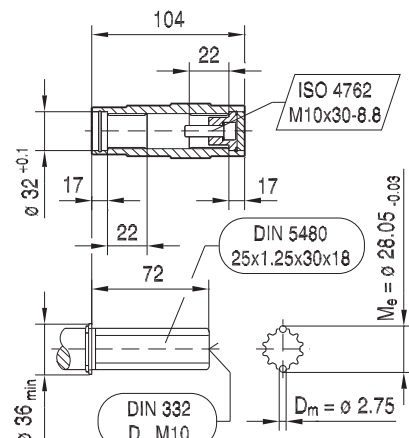
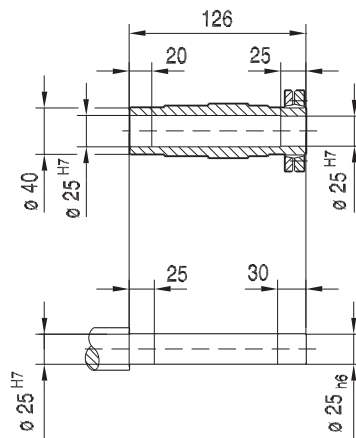
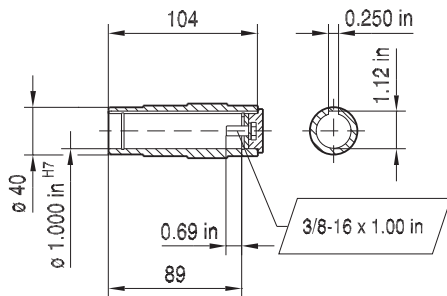
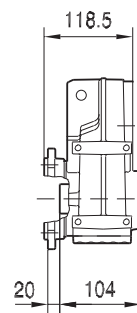
**FAF27..**



**FHF27..**  
max. DR71..



**FVF27..**



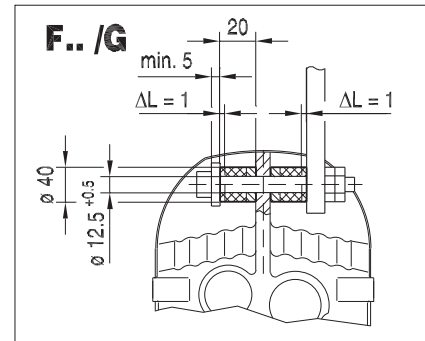
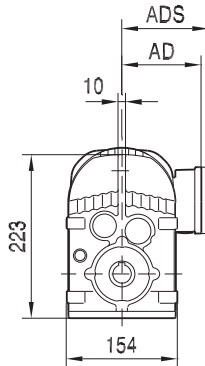
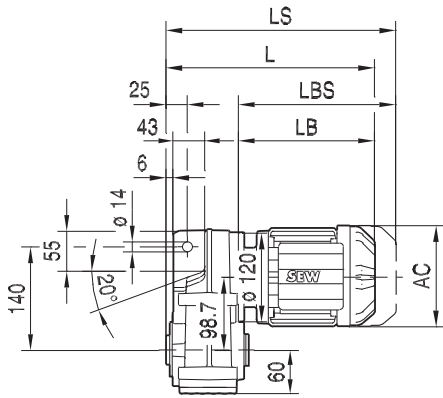
(→ 163)	DR63	DRS71S	DRS71M	DRN80MS	DRN80M	DRN90S	DRN90L	DRN100L/LM
AC	132	139	139	156	156	179	179	197
AD	105	119	119	128	128	140	140	157
ADS	105	129	129	139	139	150	150	158
L	356	367	392	419	447	448	480	529
LS	411	435	460	500	528	542	574	623
LB	191	202	227	254	282	283	315	364
LBS	246	270	295	335	363	377	409	458

Dimensions in mm unless noted as inch. For all available output shaft diameters, see page 517. For tolerances, see page 163.

21933480/EN-US - 04/2018

**FA27..**

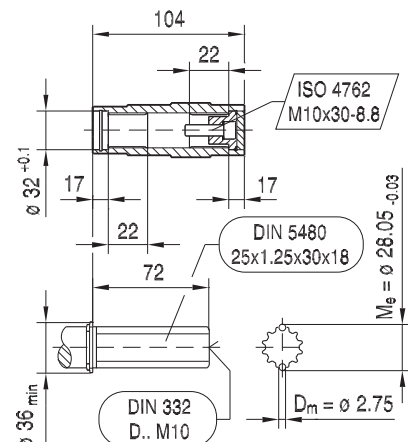
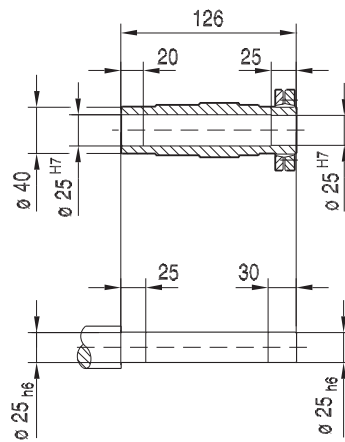
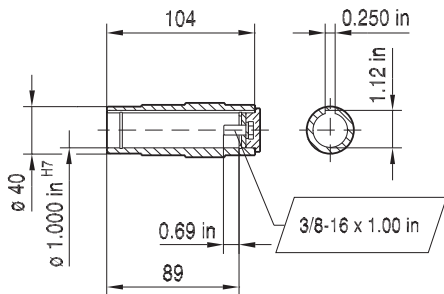
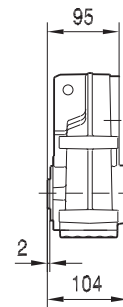
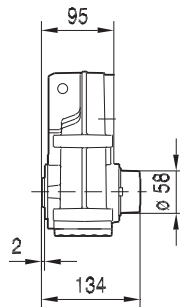
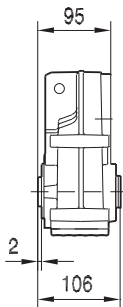
42 212 00 16



**FA27..**

**FH27..**  
max. DR71..

**FV27..**



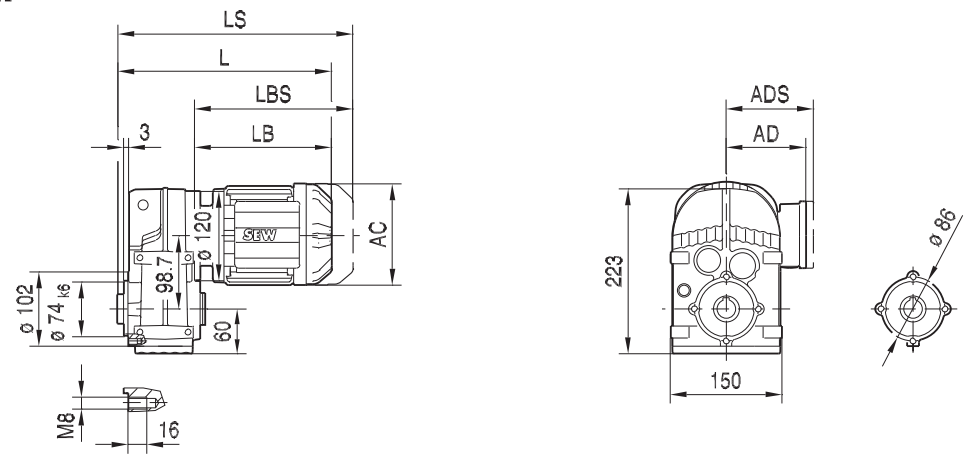
(→ 163)	DR63	DRS71S	DRS71M	DRN80MS	DRN80M	DRN90S	DRN90L	DRN100L/LM
AC	132	139	139	156	156	179	179	197
AD	105	119	119	128	128	140	140	157
ADS	105	129	129	139	139	150	150	158
L	286	297	322	349	377	378	410	459
LS	341	365	390	430	458	472	504	553
LB	191	202	227	254	282	283	315	364
LBS	246	270	295	335	363	377	409	458

Dimensions in mm unless noted as inch. For all available output shaft diameters, see page 519. For tolerances, see page 163.

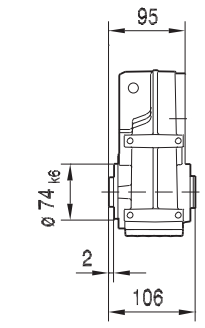
21933480/EN-US - 04/2018

42 213 00 16

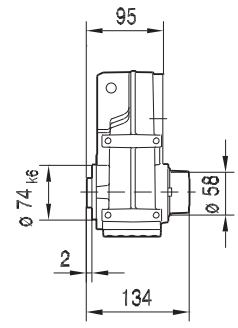
**FAZ27..**



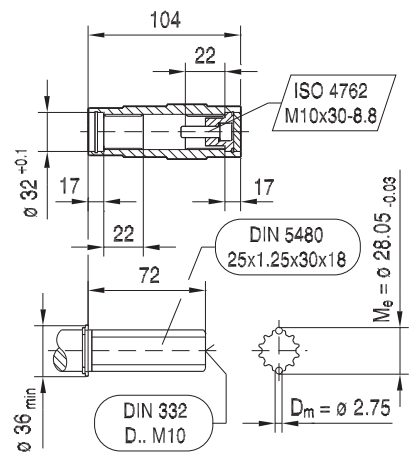
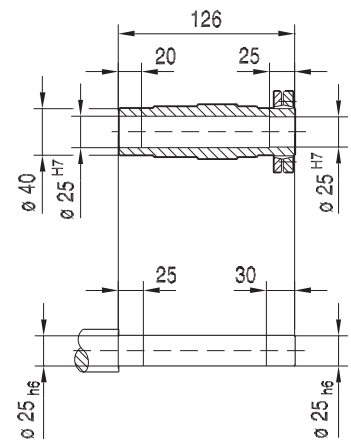
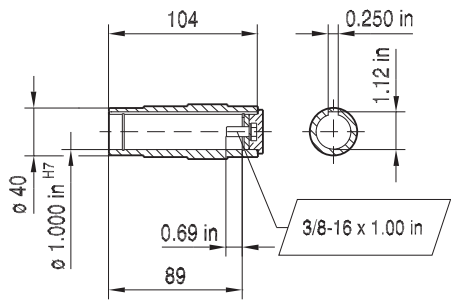
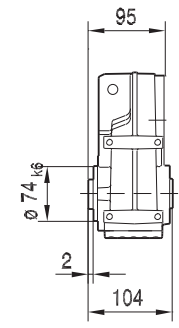
**FAZ27..**



**FHZ27..**  
max. DR71..



**FVZ27..**



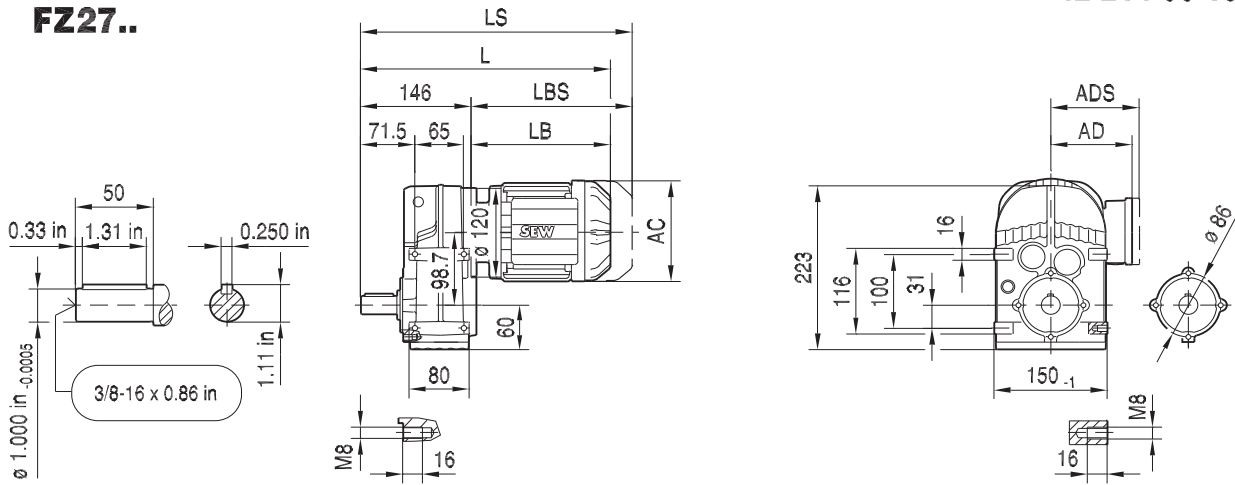
(→ 163)	DR63	DRS71S	DRS71M	DRN80MS	DRN80M	DRN90S	DRN90L	DRN100L/LM
<b>AC</b>	132	139	139	156	156	179	179	197
<b>AD</b>	105	119	119	128	128	140	140	157
<b>ADS</b>	105	129	129	139	139	150	150	158
<b>L</b>	286	297	322	349	377	378	410	459
<b>LS</b>	341	365	390	430	458	472	504	553
<b>LB</b>	191	202	227	254	282	283	315	364
<b>LBS</b>	246	270	295	335	363	377	409	458

Dimensions in mm unless noted as inch. For all available output shaft diameters, see page 519. For tolerances, see page 163.

21933480/EN-US - 04/2018

42 214 00 16

FZ27..



9

21933480/EN-US - 04/2018

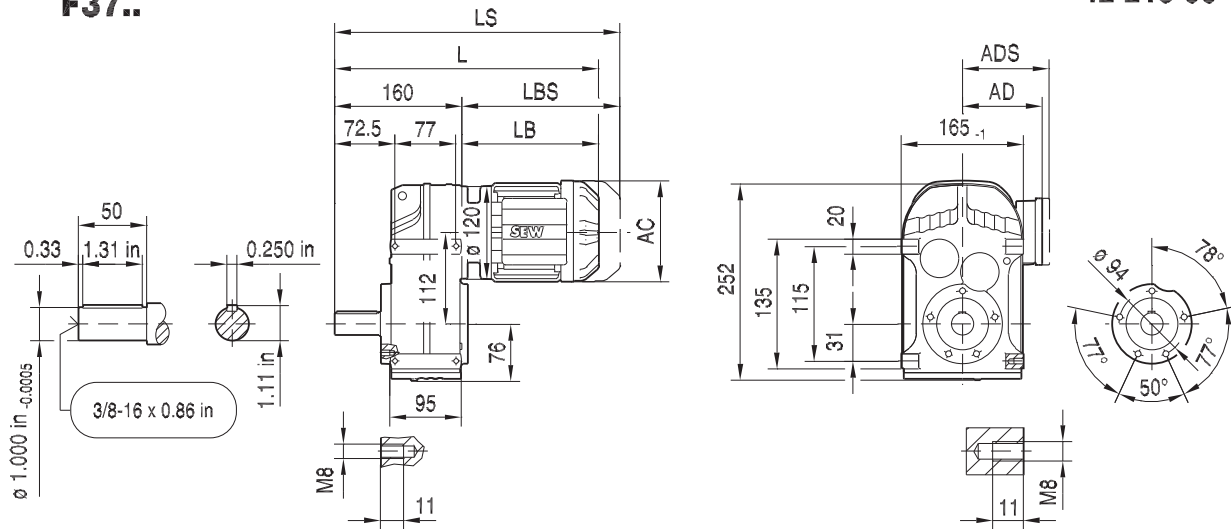
(→ 163)	DR63	DRS71S	DRS71M	DRN80MS	DRN80M	DRN90S	DRN90L	DRN100L/LM
AC	132	139	139	156	156	179	179	197
AD	105	119	119	128	128	140	140	157
ADS	105	129	129	139	139	150	150	158
L	207	218	243	270	298	299	331	380
LS	262	286	311	351	379	393	425	474
LB	191	202	227	254	282	283	315	364
LBS	246	270	295	335	363	377	409	458

Dimensions in mm unless noted as inch. For all available output shaft diameters, see page 517. For tolerances, see page 163.

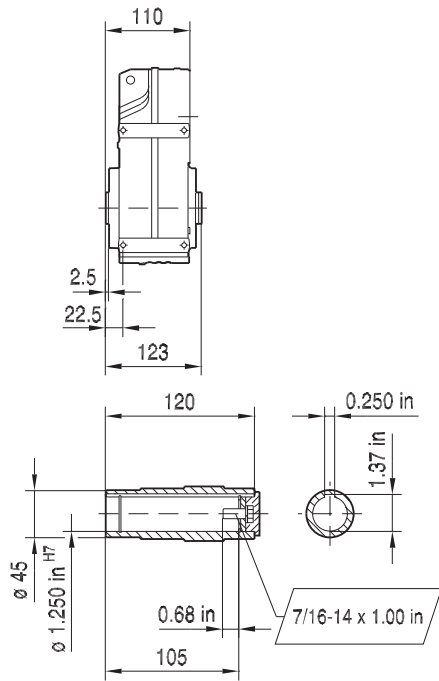


42 215 00 16

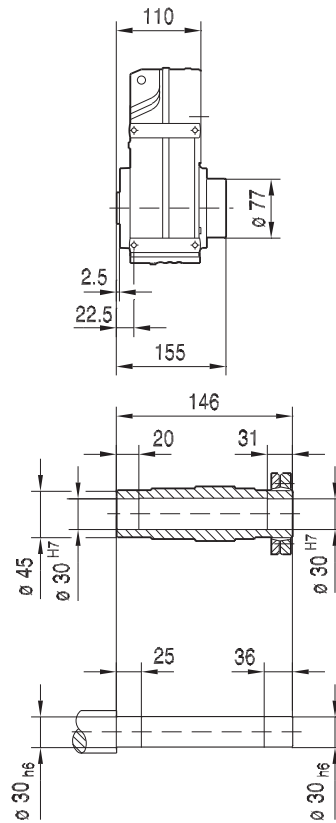
**F37..**



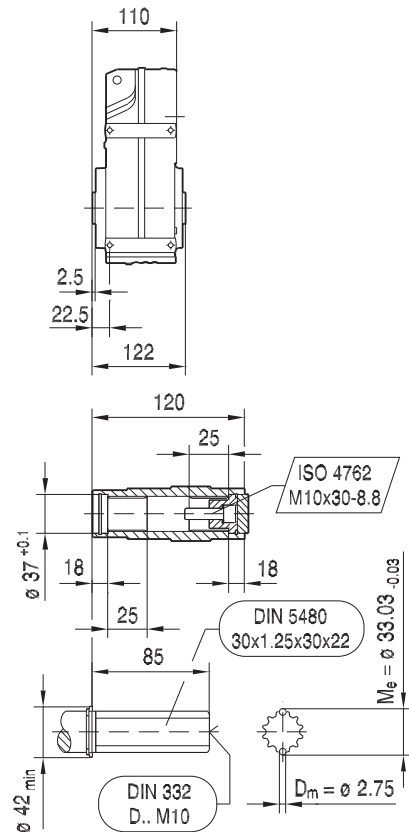
**FA37B..**



**FH37B..**



**FV37B..**

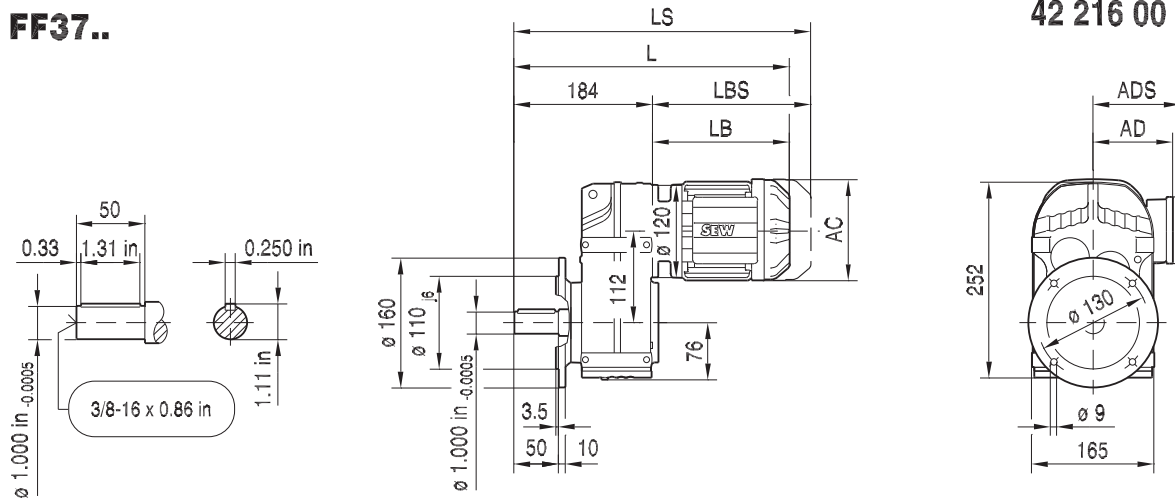


(→ 163)	DR63	DRS71S	DRS71M	DRN80M	DRN90S	DRN90L	DRN100L/LM
AC	132	139	139	156	179	179	197
AD	105	119	119	128	140	140	157
ADS	105	129	129	139	150	150	158
L	351	362	387	442	443	475	524
LS	406	430	455	523	537	569	618
LB	191	202	227	282	283	315	364
LBS	246	270	295	363	377	409	458

Dimensions in mm unless noted as inch. For all available output shaft diameters, see page 517. For tolerances, see page 163.

**FF37..**

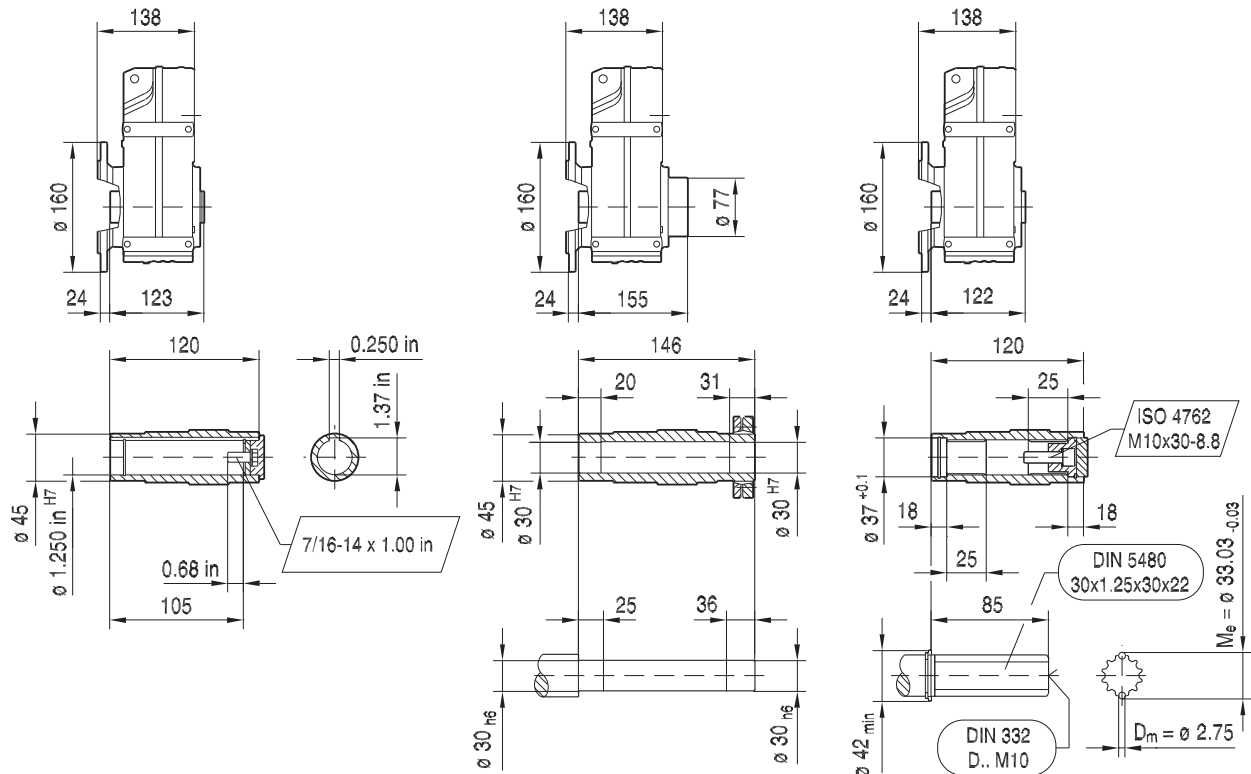
42 216 00 16



**FAF37..**

**FHF37..**

**FVF37..**

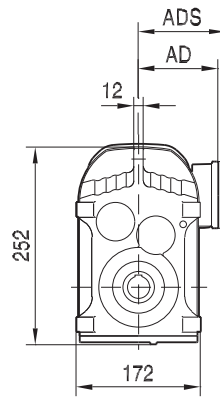
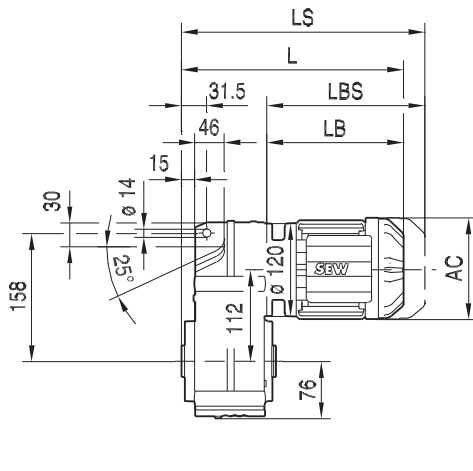


(↔ 163)	DR63	DRS71S	DRS71M	DRN80M	DRN90S	DRN90L	DRN100L/LM
AC	132	139	139	156	179	179	197
AD	105	119	119	128	140	140	157
ADS	105	129	129	139	150	150	158
L	375	386	411	466	467	499	548
LS	430	454	479	547	561	593	642
LB	191	202	227	282	283	315	364
LBS	246	270	295	363	377	409	458

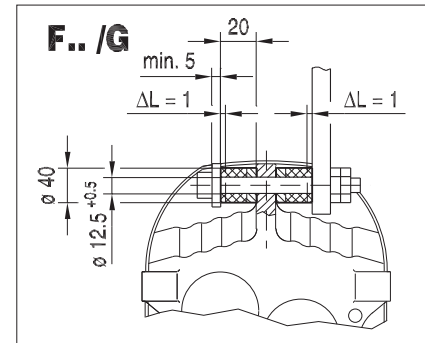
Dimensions in mm unless noted as inch. For all available output shaft diameters, see page 517. For tolerances, see page 163.

21933480/EN-US - 04/2018

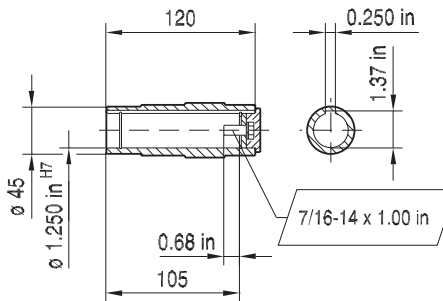
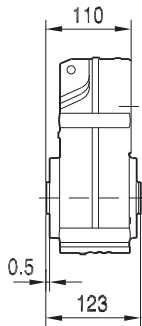
**FA37..**



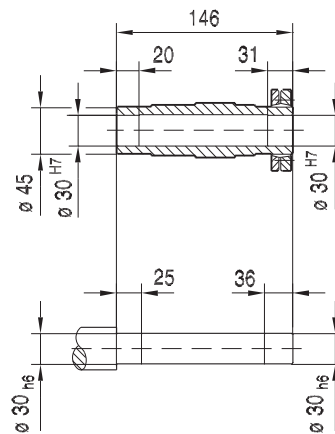
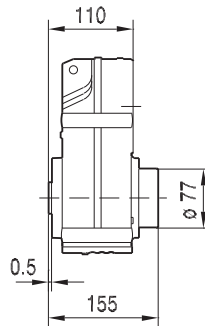
42 217 00 16



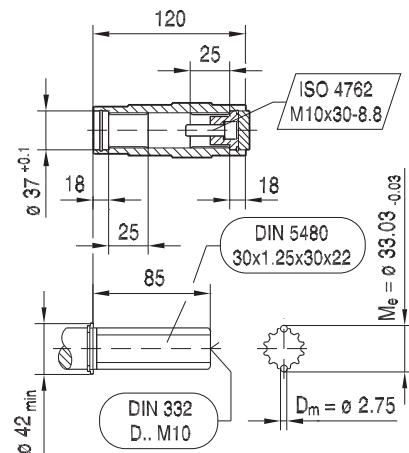
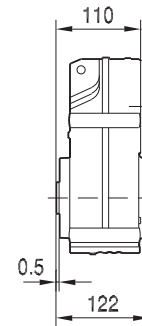
**FA37..**



**FH37..**



**FV37..**



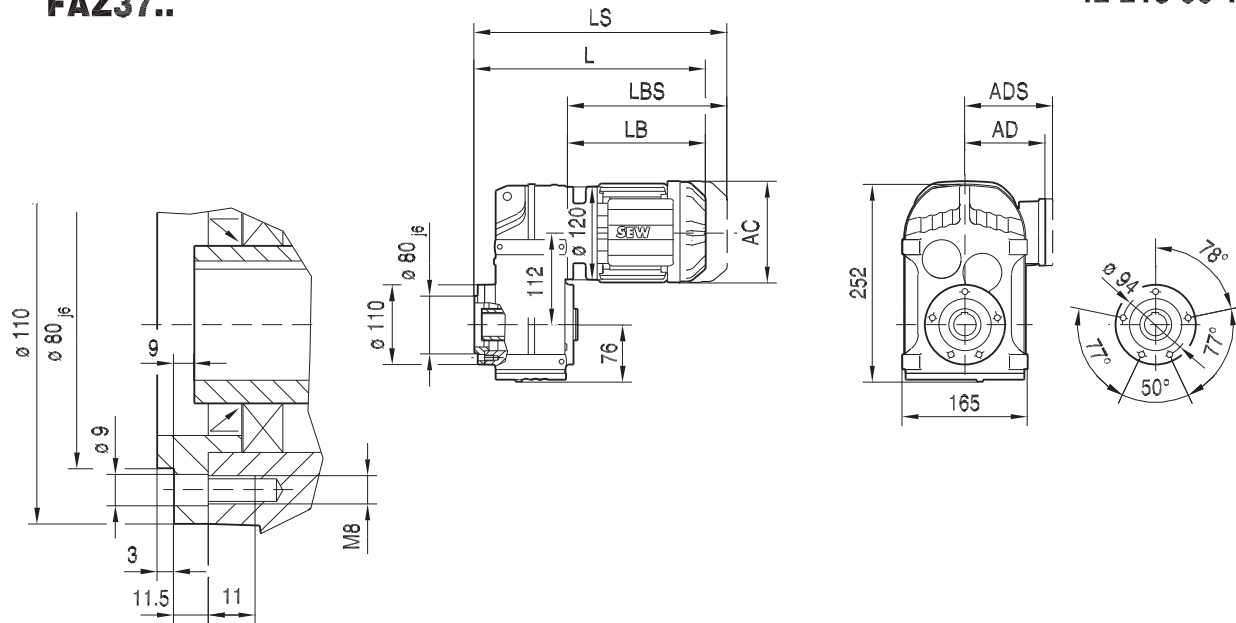
(↪ 163)	DR63	DRS71S	DRS71M	DRN80M	DRN90S	DRN90L	DRN100L/LM
AC	132	139	139	156	179	179	197
AD	105	119	119	128	140	140	157
ADS	105	129	129	139	150	150	158
L	301	312	337	392	393	425	474
LS	356	380	405	473	487	519	568
LB	191	202	227	282	283	315	364
LBS	246	270	295	363	377	409	458

Dimensions in mm unless noted as inch. For all available output shaft diameters, see page 519. For tolerances, see page 163.

21933480/EN-US - 04/2018

**FAZ37..**

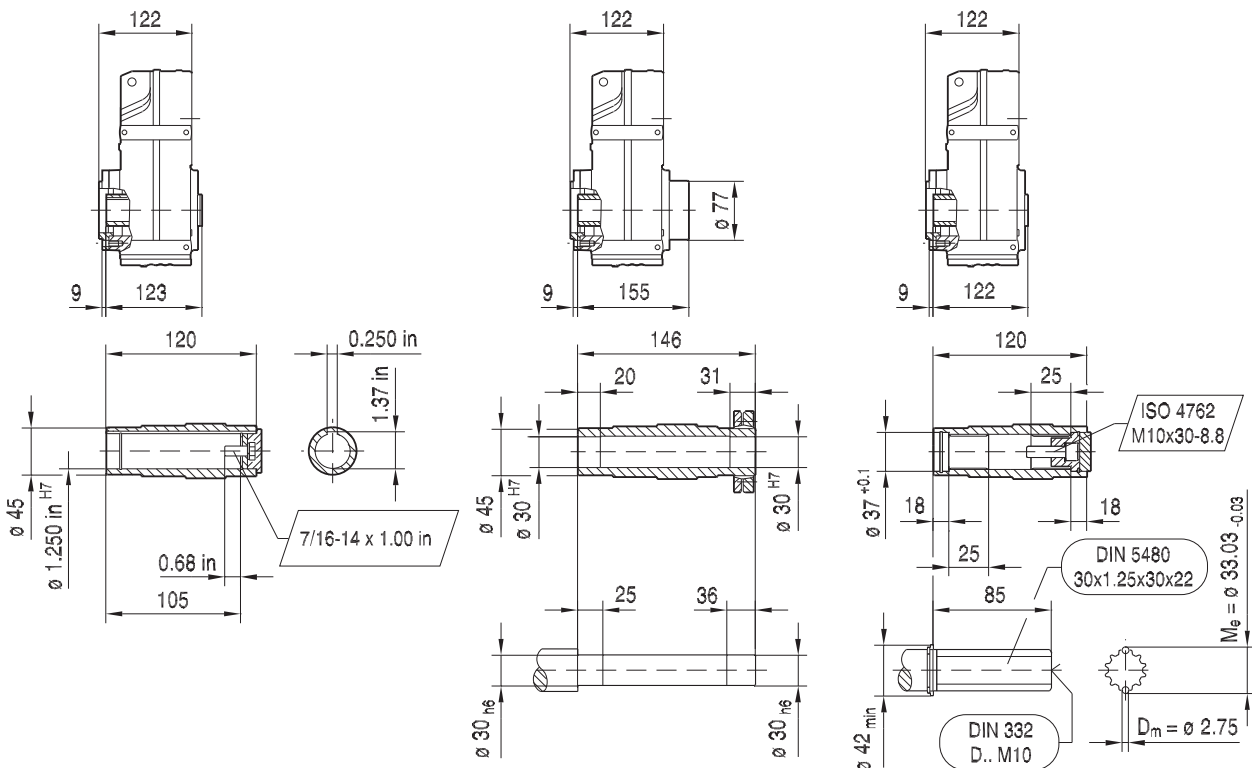
42 218 00 16



**FAZ37..**

**FHZ37..**

**FVZ37..**



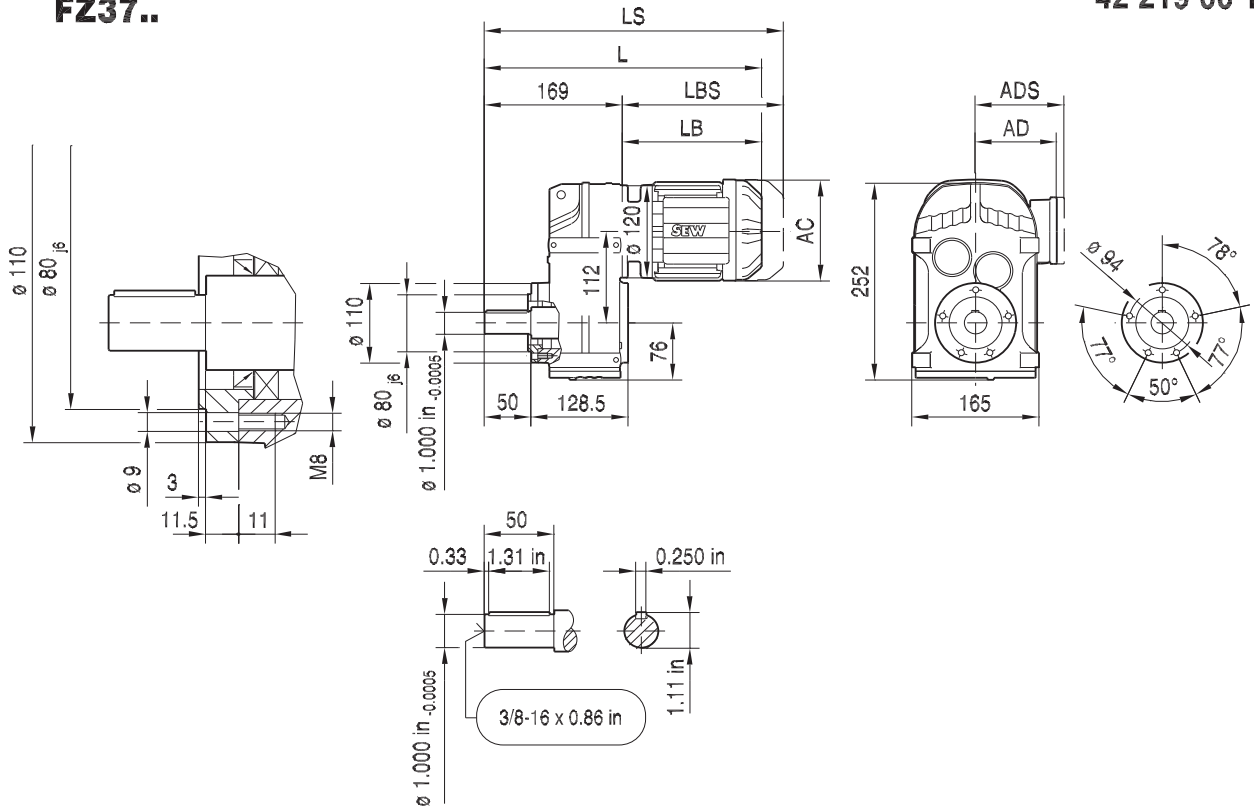
21933480/EN-US - 04/2018

(→ 163)	DR63	DRS71S	DRS71M	DRN80M	DRN90S	DRN90L	DRN100L/LM
AC	132	139	139	156	179	179	197
AD	105	119	119	128	140	140	157
ADS	105	129	129	139	150	150	158
L	313	324	349	404	405	437	486
LS	368	392	417	485	499	531	580
LB	191	202	227	282	283	315	364
LBS	246	270	295	363	377	409	458

Dimensions in mm unless noted as inch. For all available output shaft diameters, see page 519. For tolerances, see page 163.

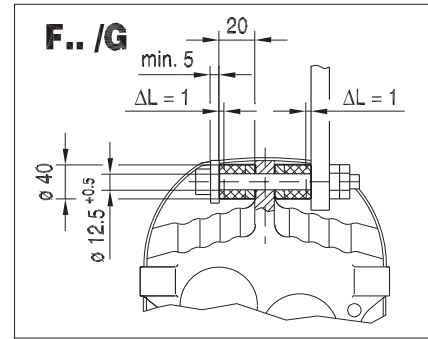
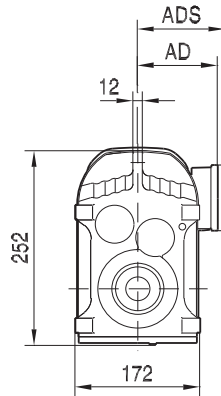
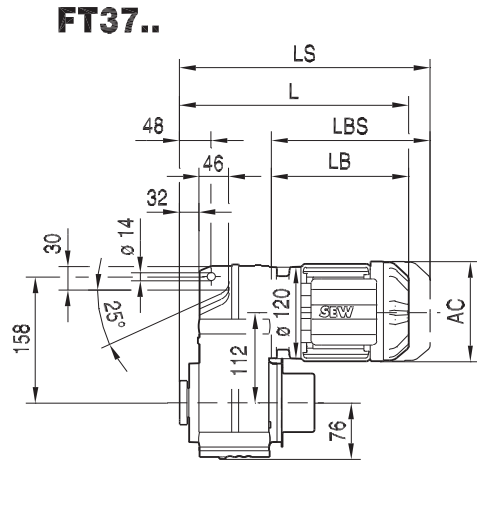
**FZ37..**

**42 219 00 16**



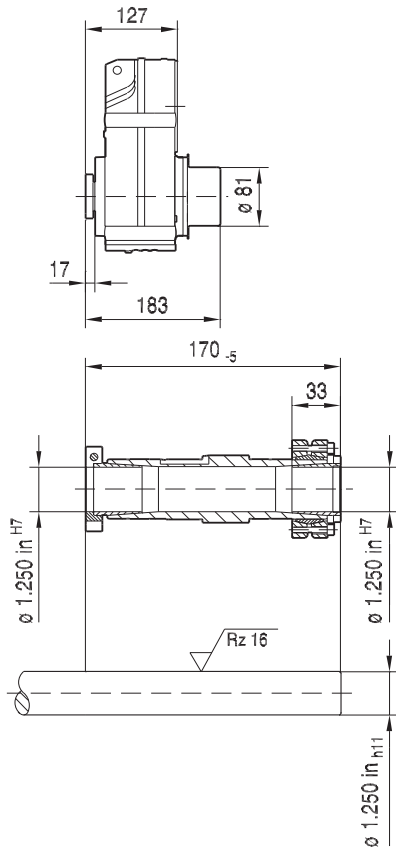
(→ 163)	DR63	DRS71S	DRS71M	DRN80M	DRN90S	DRN90L	DRN100L/LM
AC	132	139	139	156	179	179	197
AD	105	119	119	128	140	140	157
ADS	105	129	129	139	150	150	158
L	360	371	396	451	452	484	533
LS	415	439	464	532	546	578	627
LB	191	202	227	282	283	315	364
LBS	246	270	295	363	377	409	458

Dimensions in mm unless noted as inch. For all available output shaft diameters, see page 517. For tolerances, see page 163.

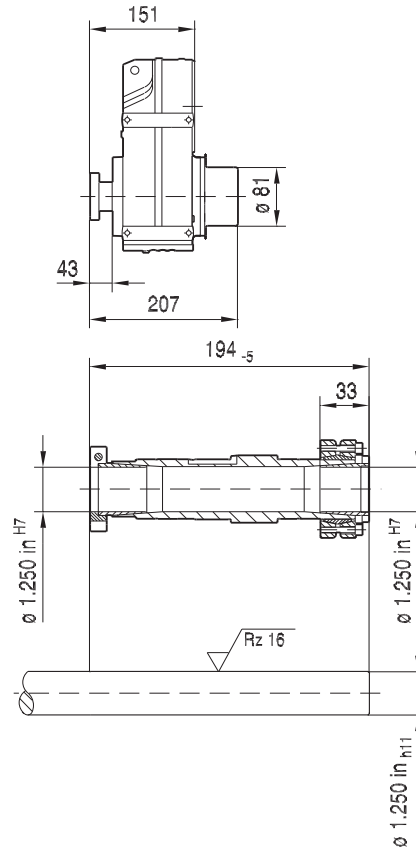


42 220 00 16

**FT37..  
NON-Symmetrical**



**FT37B..  
Symmetrical**



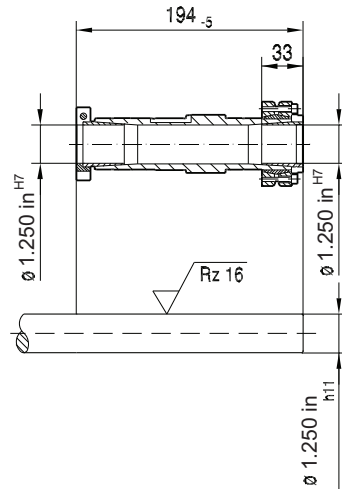
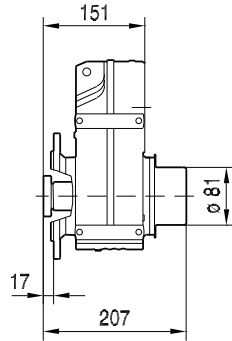
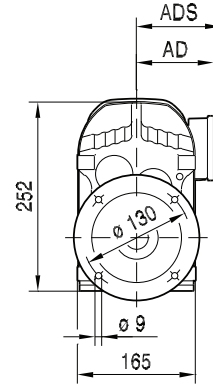
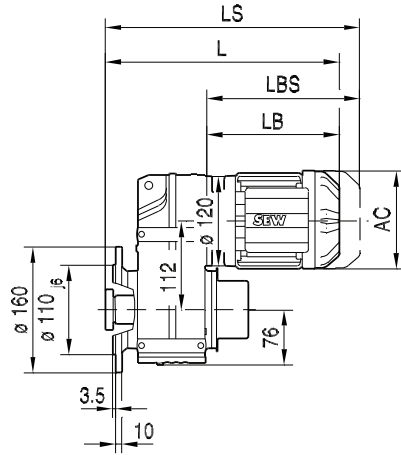
(→ 163)	DR63	DRS71S	DRS71M	DRN80M <sup>1)</sup>	DRN90S <sup>1)</sup>	DRN90L <sup>1)</sup>	DRN100L/LM <sup>1)</sup>
AC	132	139	139	156	179	179	197
AD	105	119	119	128	140	140	157
ADS	105	129	129	139	150	150	158
L	318	329	354	409	410	442	491
LS	373	397	422	490	504	536	585
LB	191	202	227	282	283	315	364
LBS	246	270	295	363	377	409	458

<sup>1)</sup> Combination requires a modified shaft cover. See page 142.

Dimensions in mm unless noted as inch. For all available output shaft diameters, see page 521. For tolerances, see page 163.

**FTF37..**

**42 023 03 13 US**

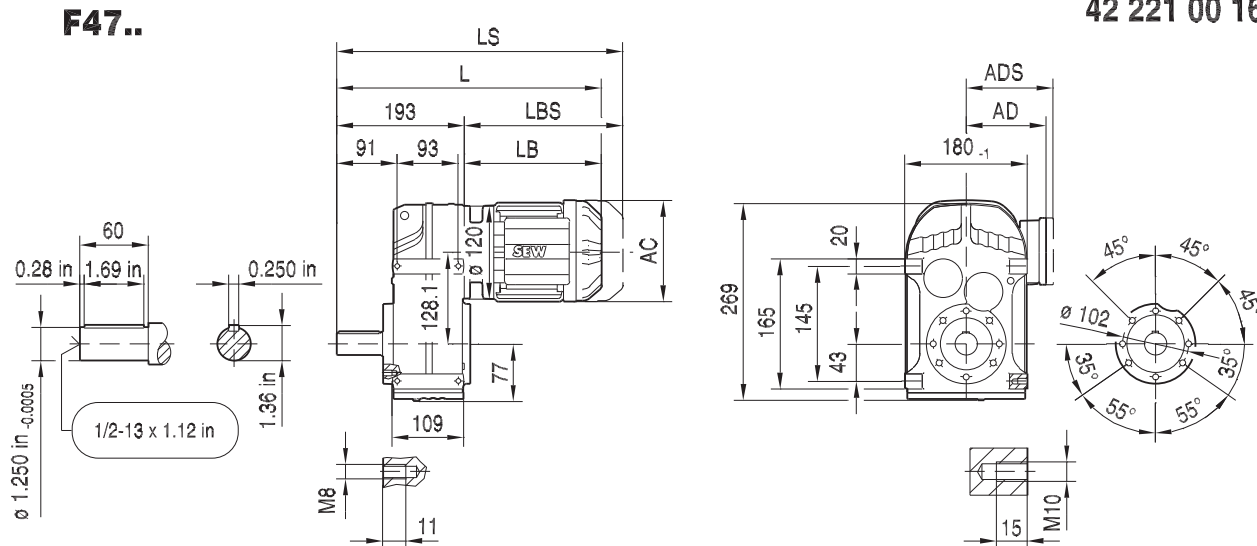


(→ 163)	DR63	DRS71S	DRS71M	DRN80M <sup>1)</sup>	DRN90S <sup>1)</sup>	DRN90L <sup>1)</sup>	DRN100L/LM <sup>1)</sup>
AC	132	139	139	156	179	179	197
AD	105	119	119	128	140	140	157
ADS	105	129	129	139	150	150	158
L	342	353	378	433	434	466	515
LS	397	421	446	514	528	560	609
LB	191	202	227	282	283	315	364
LBS	246	270	295	363	377	409	458

<sup>1)</sup> Combination requires a modified shaft cover. See page 142.

Dimensions in mm unless noted as inch. For all available output shaft diameters, see page 521. For tolerances, see page 163.

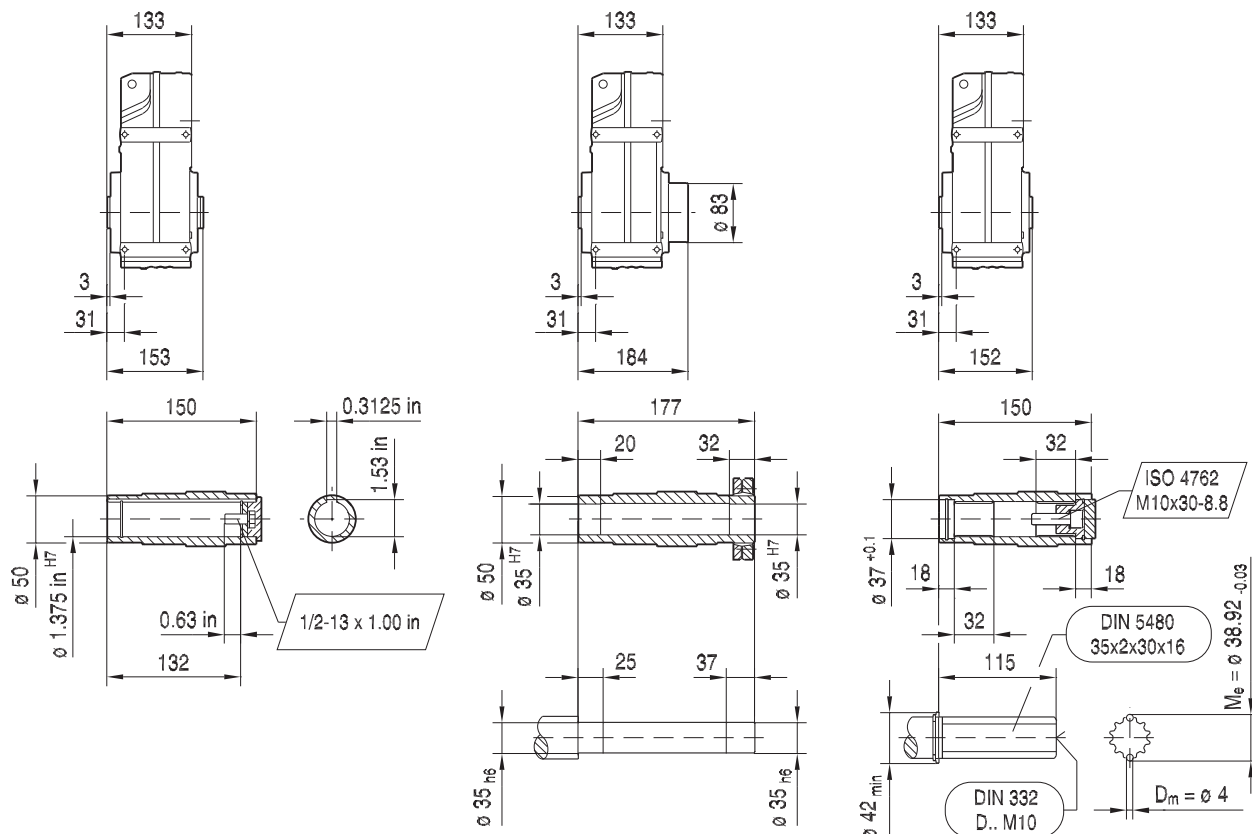
42 221 00 16



**FA47B..**

**FH47B..**

**FV47B..**



(→ 163)	DR63	DRS71S	DRS71M	DRN80M	DRN90S	DRN90L	DRN100/LM
AC	132	139	139	156	179	179	197
AD	105	119	119	128	140	140	157
ADS	105	129	129	139	150	150	158
L	384	395	420	475	476	508	557
LS	439	463	488	556	570	602	651
LB	191	202	227	282	283	315	364
LBS	246	270	295	363	377	409	458

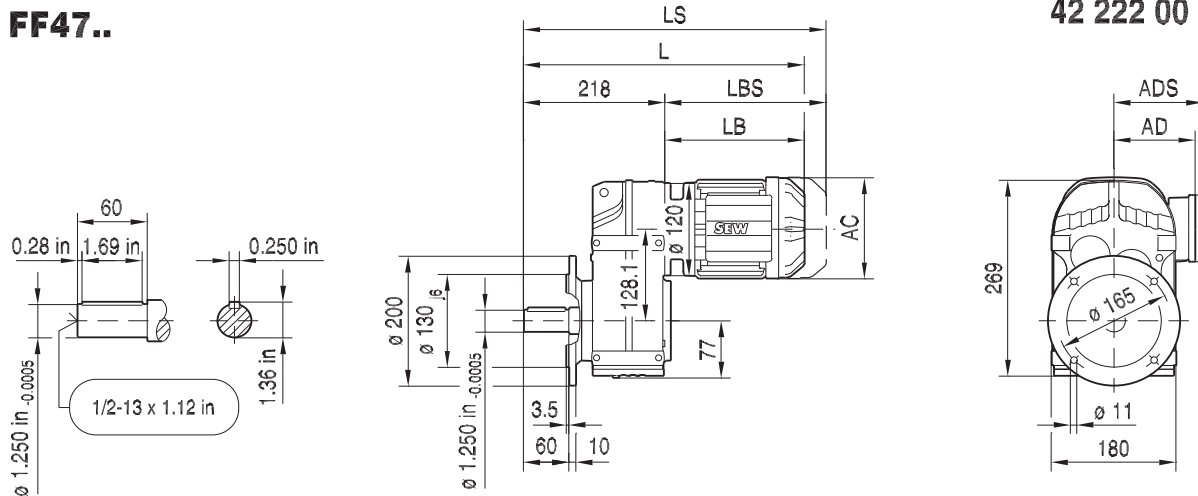
Dimensions in mm unless noted as inch. For all available output shaft diameters, see page 517. For tolerances, see page 163.

21933480/EN-US - 04/2018



**FF47..**

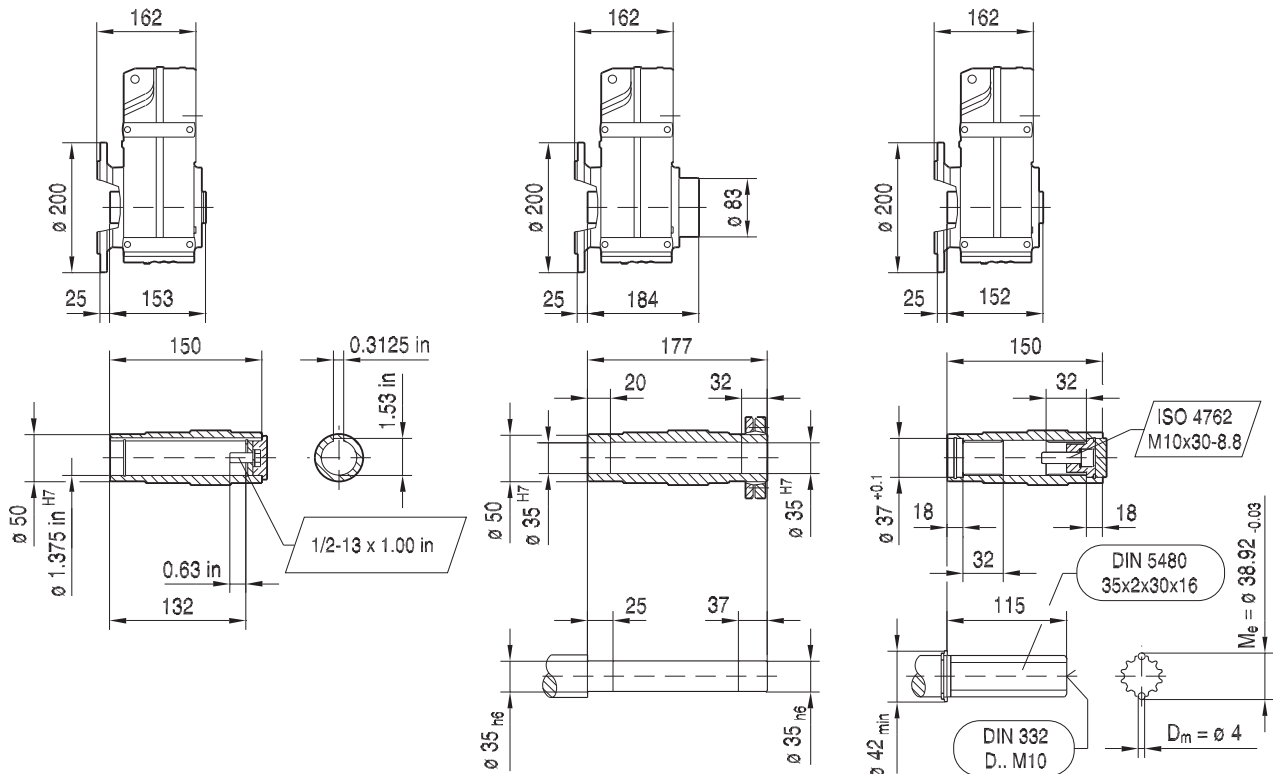
42 222 00 16



**FAF47..**

**FHF47..**

**FVF47..**



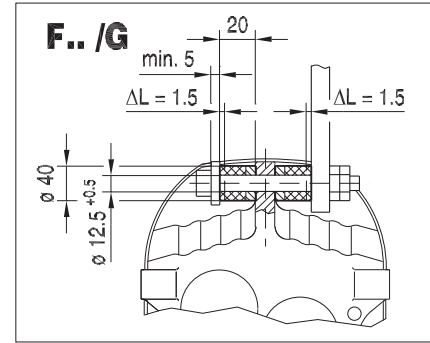
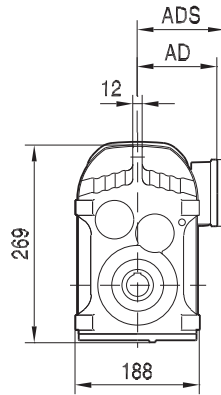
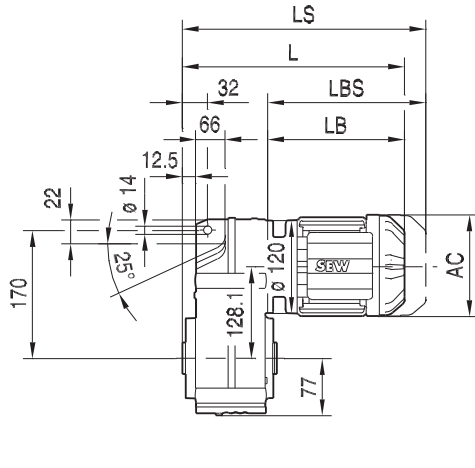
(→ 163)	DR63	DRS71S	DRS71M	DRN80M	DRN90S	DRN90L	DRN100L/LM
AC	132	139	139	156	179	179	197
AD	105	119	119	128	140	140	157
ADS	105	129	129	139	150	150	158
L	409	420	445	500	501	533	582
LS	464	488	513	581	595	627	676
LB	191	202	227	282	283	315	364
LBS	246	270	295	363	377	409	458

Dimensions in mm unless noted as inch. For all available output shaft diameters, see page 517. For tolerances, see page 163.

21933480/EN-US - 04/2018

**FA47..**

42 223 00 16

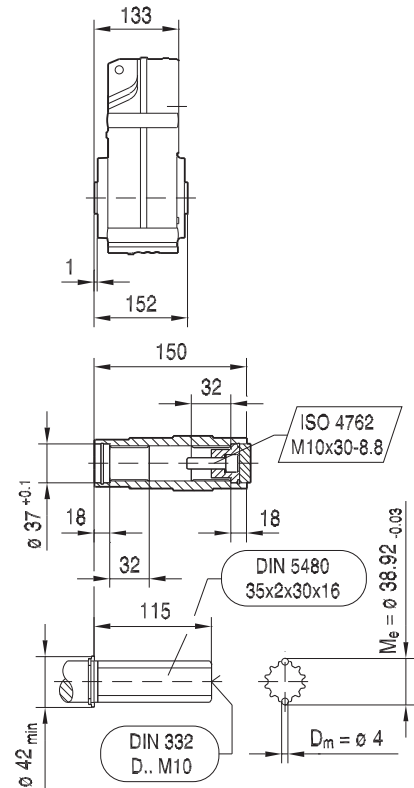
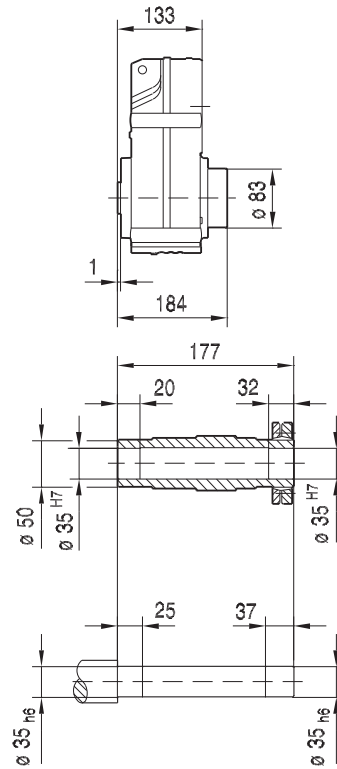
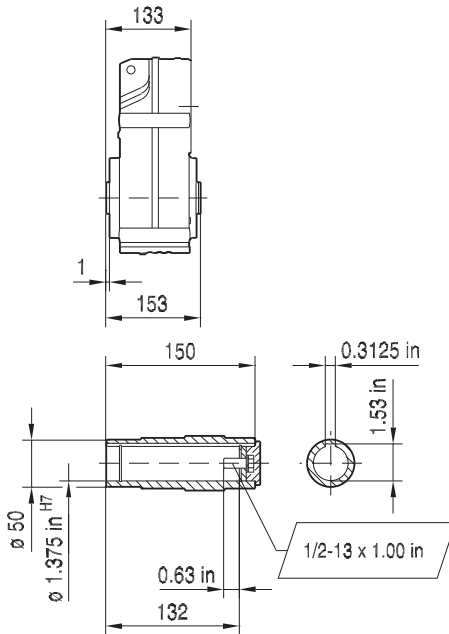


9

**FA47..**

**FH47..**

**FV47..**



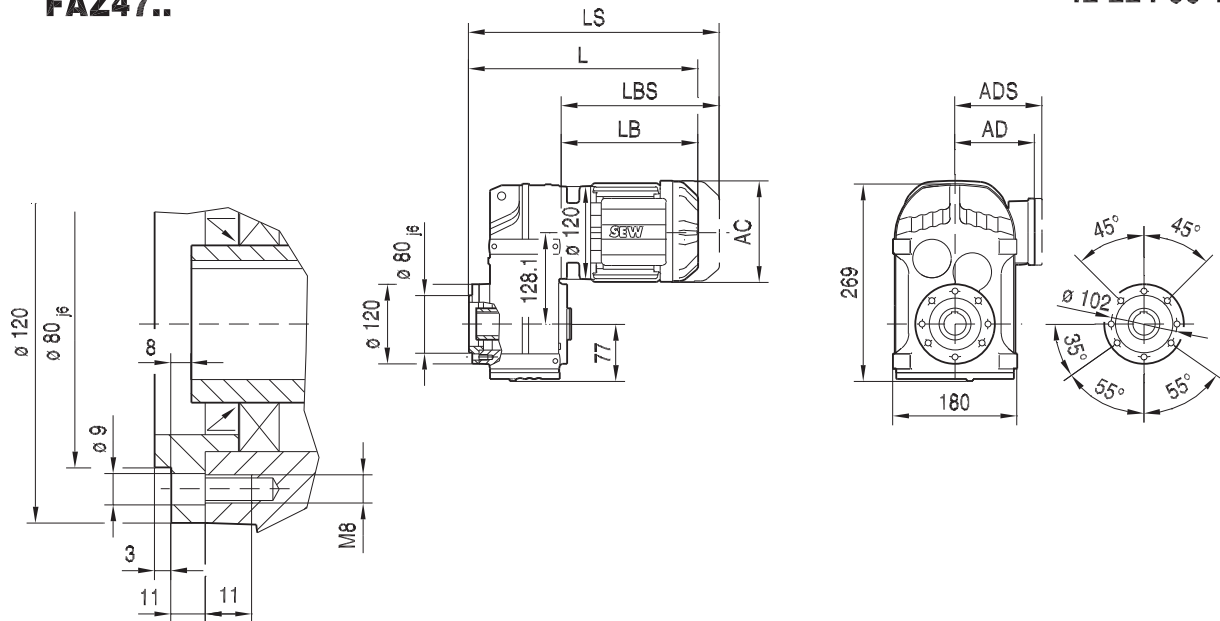
21933480/EN-US - 04/2018

(↔ 163)	DR63	DRS71S	DRS71M	DRN80M	DRN90S	DRN90L	DRN100L/LM
AC	132	139	139	156	179	179	197
AD	105	119	119	128	140	140	157
ADS	105	129	129	139	150	150	158
L	324	335	360	415	416	448	497
LS	379	403	428	496	510	542	591
LB	191	202	227	282	283	315	364
LBS	246	270	295	363	377	409	458

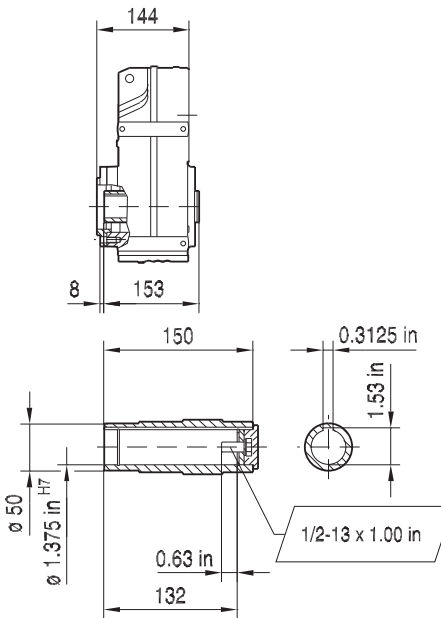
Dimensions in mm unless noted as inch. For all available output shaft diameters, see page 519. For tolerances, see page 163.

42 224 00 16

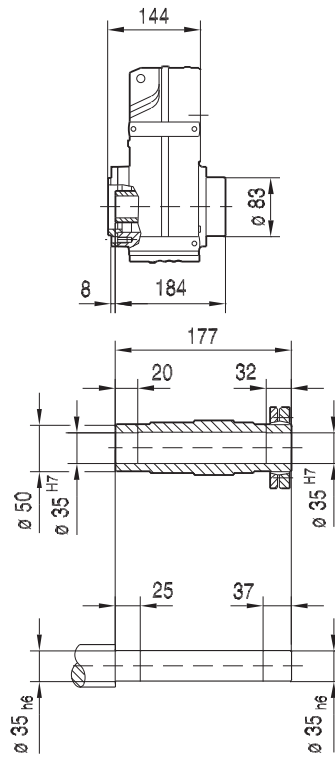
**FAZ47..**



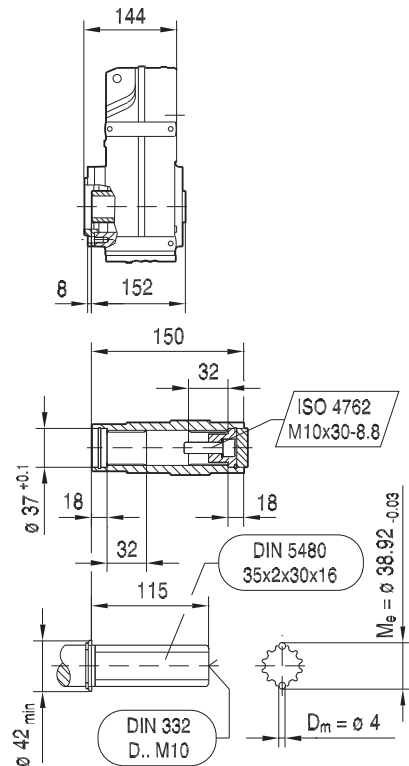
**FAZ47..**



**FHZ47..**



**FVZ47..**

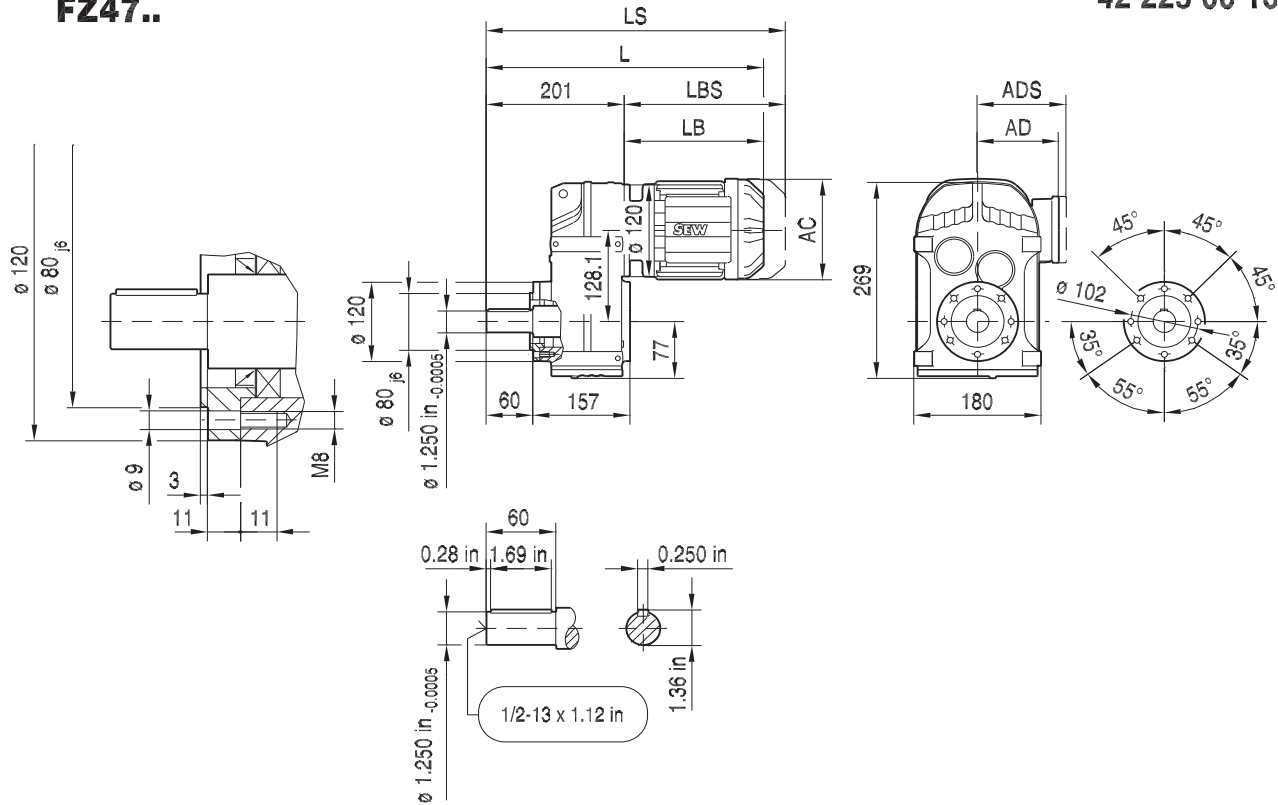


(→ 163)	DR63	DRS71S	DRS71M	DRN80M	DRN90S	DRN90L	DRN100L/LM
AC	132	139	139	156	179	179	197
AD	105	119	119	128	140	140	157
ADS	105	129	129	139	150	150	158
L	335	346	371	426	427	459	508
LS	390	414	439	507	521	553	602
LB	191	202	227	282	283	315	364
LBS	246	270	295	363	377	409	458

Dimensions in mm unless noted as inch. For all available output shaft diameters, see page 519. For tolerances, see page 163.

FZ47..

42 225 00 16

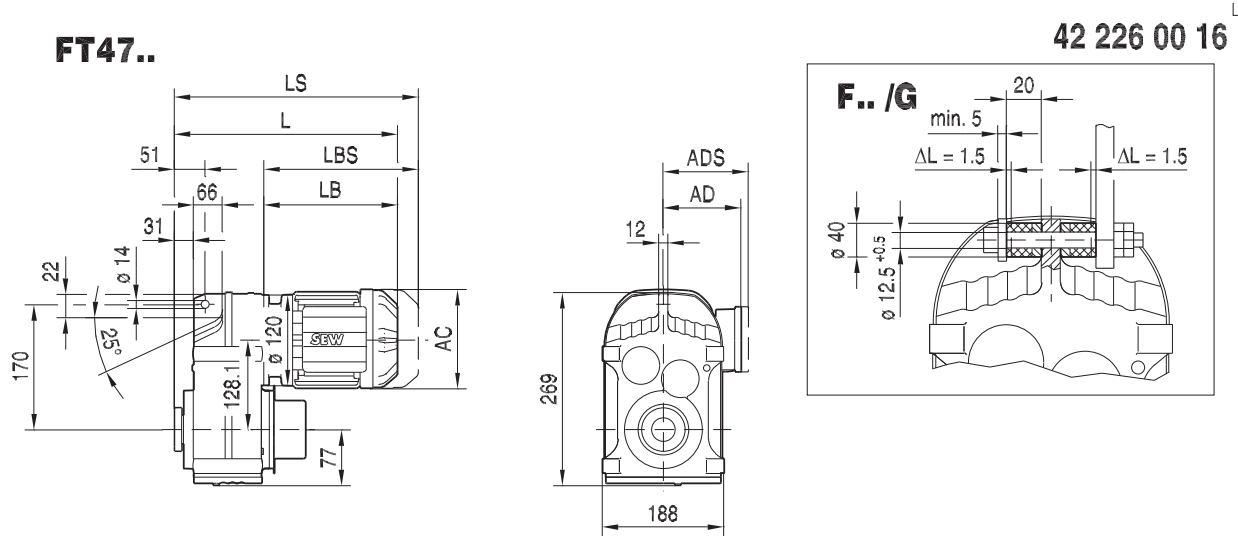


9

21933480/EN-US - 04/2018

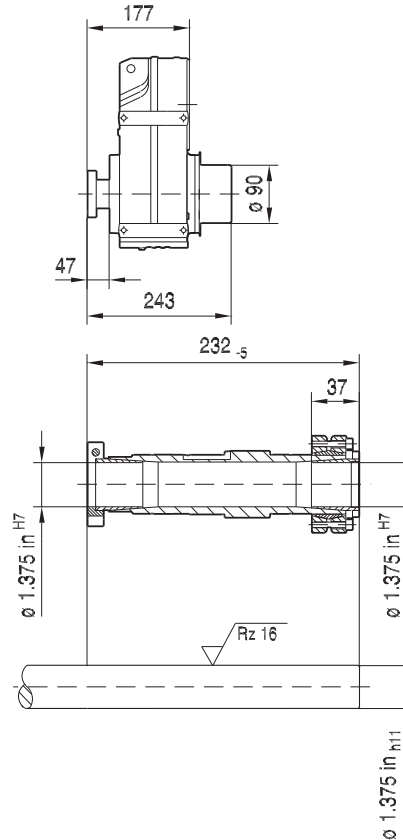
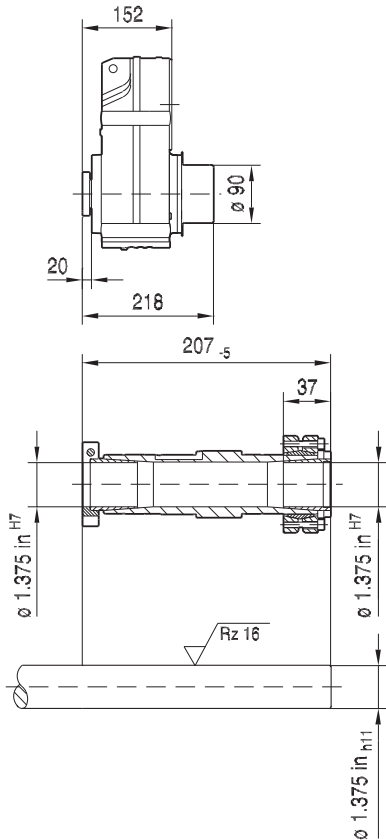
(→ 163)	DR63	DRS71S	DRS71M	DRN80M	DRN90S	DRN90L	DRN100L/LM
AC	132	139	139	156	179	179	197
AD	105	119	119	128	140	140	157
ADS	105	129	129	139	150	150	158
L	392	403	428	483	484	516	565
LS	447	471	496	564	578	610	659
LB	191	202	227	282	283	315	364
LBS	246	270	295	363	377	409	458

Dimensions in mm unless noted as inch. For all available output shaft diameters, see page 517. For tolerances, see page 163.



**FT47..**  
**NON-Symmetrical**

**FT47B..**  
**Symmetrical**



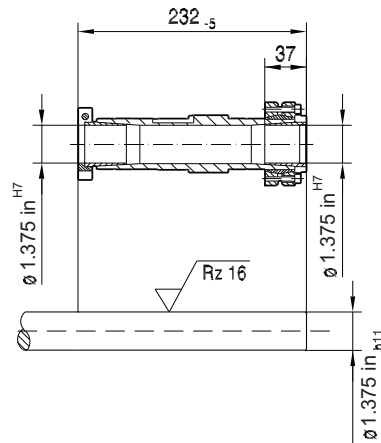
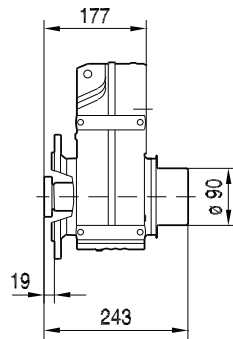
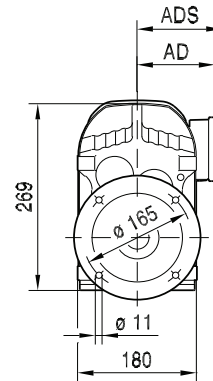
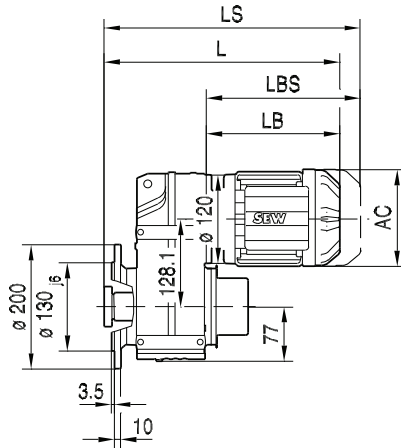
(→ 163)	DR63	DRS71S	DRS71M	DRN80M <sup>1)</sup>	DRN90S <sup>1)</sup>	DRN90L <sup>1)</sup>	DRN100L/LM <sup>1)</sup>
AC	132	139	139	156	179	179	197
AD	105	119	119	128	140	140	157
ADS	105	129	129	139	150	150	158
L	343	354	379	434	435	467	516
LS	398	422	447	515	529	561	610
LB	191	202	227	282	283	315	364
LBS	246	270	295	363	377	409	458

<sup>1)</sup> Combination requires a modified shaft cover. See page 142.

Dimensions in mm unless noted as inch. For all available output shaft diameters, see page 521. For tolerances, see page 163.

FTF47..

42 024 03 13 US



9

(→ 163)	DR63	DRS71S	DRS71M	DRN80M <sup>1)</sup>	DRN90S <sup>1)</sup>	DRN90L <sup>1)</sup>	DRN100L/LM <sup>1)</sup>
AC	132	139	139	156	179	179	197
AD	105	119	119	128	140	140	157
ADS	105	129	129	139	150	150	158
L	368	379	404	459	460	492	541
LS	423	447	472	540	554	586	635
LB	191	202	227	282	283	315	364
LBS	246	270	295	363	377	409	458

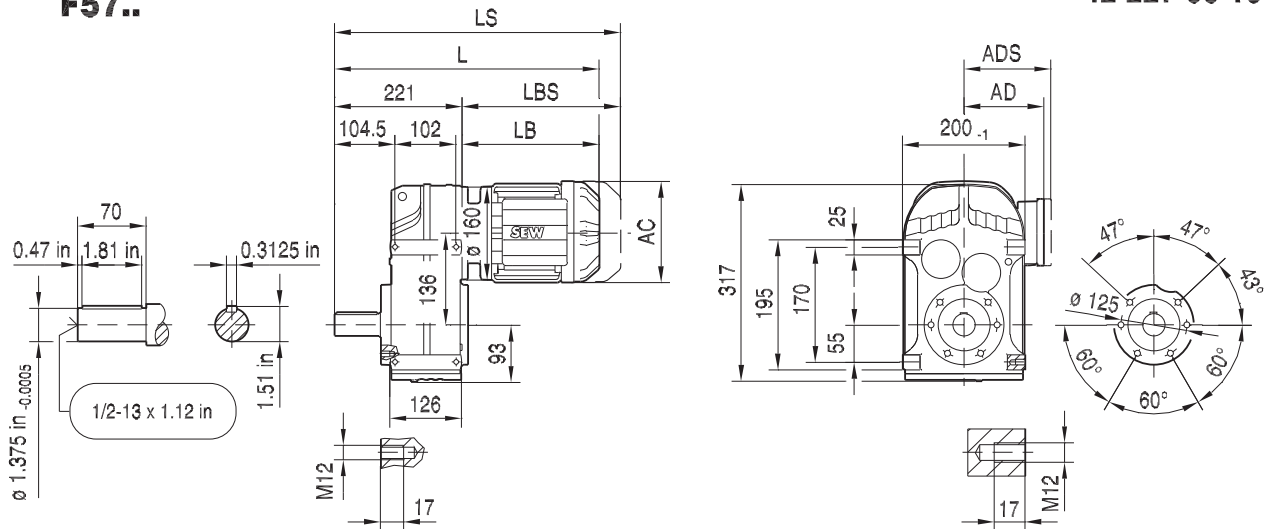
<sup>1)</sup> Combination requires a modified shaft cover. See page 142.

Dimensions in mm unless noted as inch. For all available output shaft diameters, see page 521. For tolerances, see page 163.

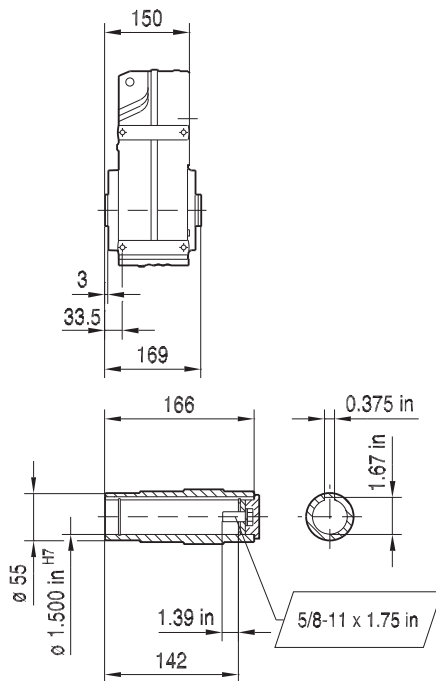
21933480/EN-US - 04/2018

42 227 00 16

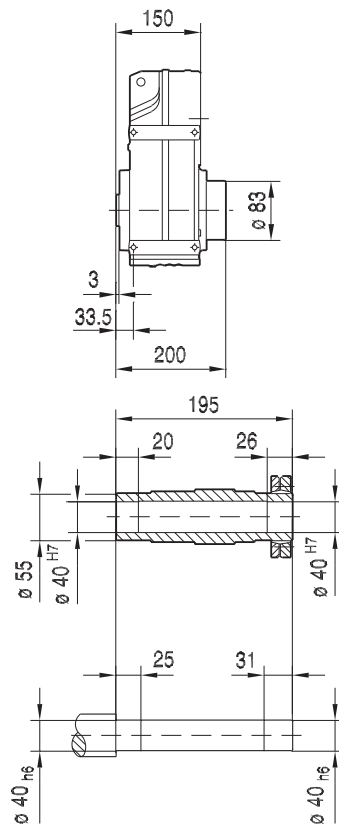
## F57..



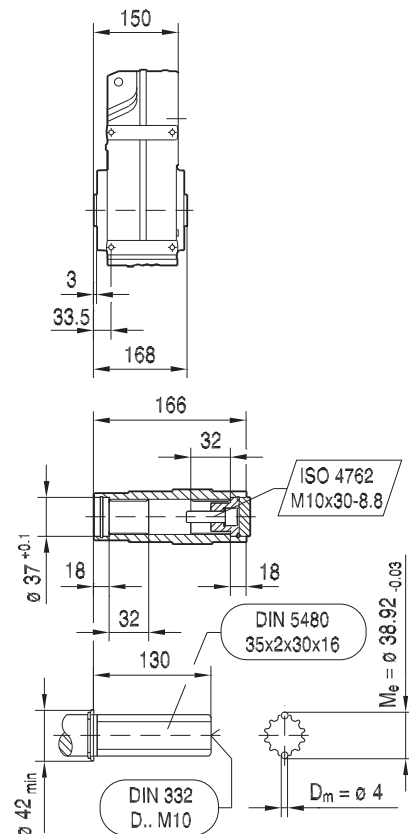
## FA57B..



## FH57B.. max. DRN100L..



## FV57B..

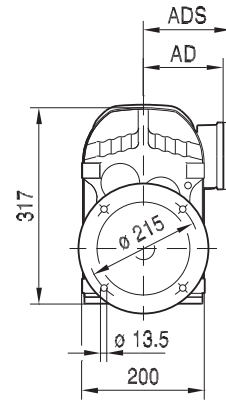
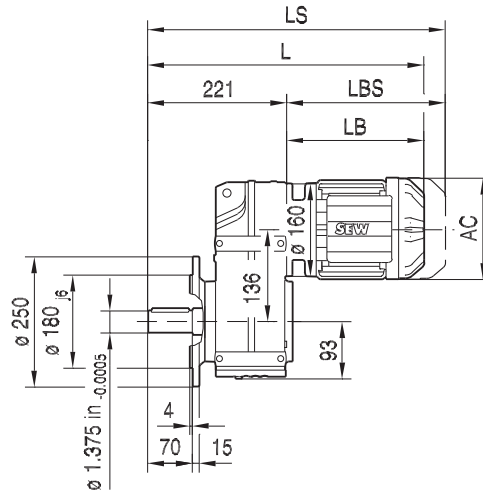
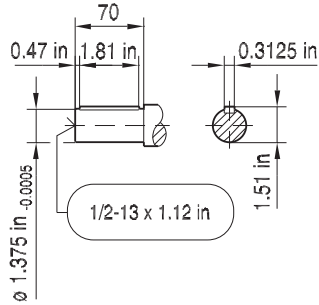


(→ 163)	DR63	DRS71S	DRS71M	DRN80M	DRN90S	DRN90L	DRN100L/LM	DRN112M	DRN132S	DRN132M
AC	132	139	139	156	179	179	197	221	221	261
AD	105	119	119	128	140	140	157	170	170	228
ADS	105	129	129	139	150	150	158	172	172	228
L	406	417	442	496	498	530	576	607	661	679
LS	461	485	510	577	591	623	670	719	773	817
LB	185	196	221	275	277	309	355	386	440	458
LBS	240	264	289	356	370	402	449	498	552	596

Dimensions in mm unless noted as inch. For all available output shaft diameters, see page 517. For tolerances, see page 163.

**FF57..**

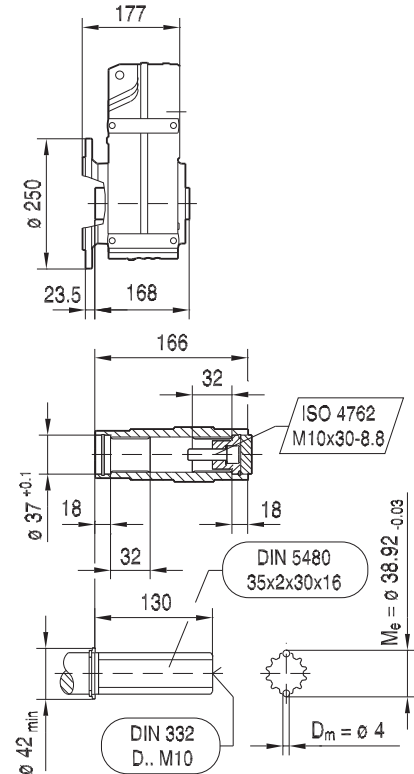
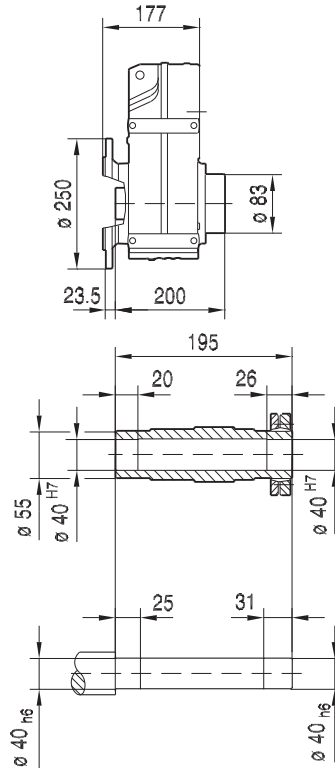
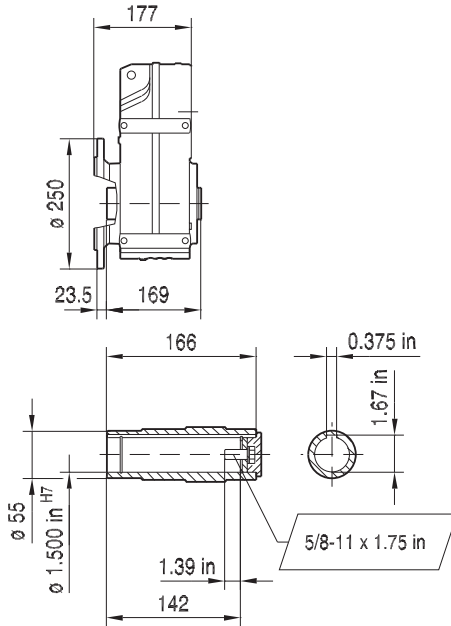
42 228 00 16



**FAF57..**

**FHF57..**  
max. DRN100L..

**FVF57..**



(→ 163)	DR63	DRS71S	DRS71M	DRN80M	DRN90S	DRN90L	DRN100L/LM	DRN112M	DRN132S	DRN132M
AC	132	139	139	156	179	179	197	221	221	261
AD	105	119	119	128	140	140	157	170	170	228
ADS	105	129	129	139	150	150	158	172	172	228
L	428	439	464	518	520	552	598	629	683	701
LS	483	507	532	599	613	645	692	741	795	839
LB	185	196	221	275	277	309	355	386	440	458
LBS	240	264	289	356	370	402	449	498	552	596

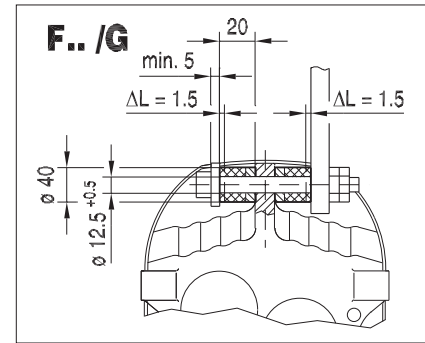
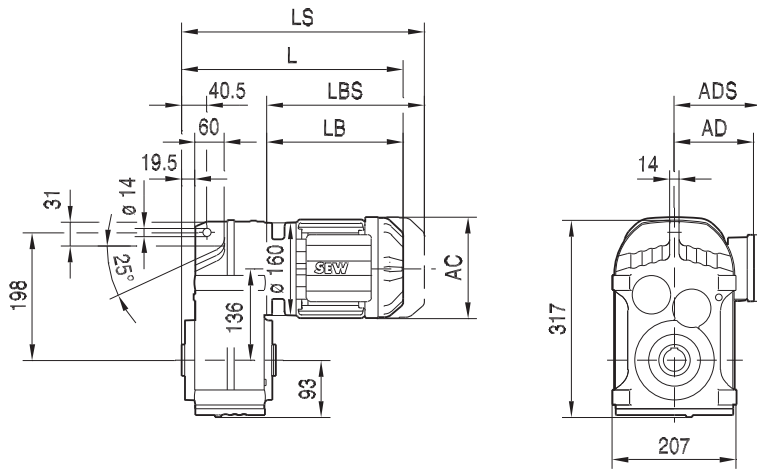
Dimensions in mm unless noted as inch. For all available output shaft diameters, see page 517. For tolerances, see page 163.

21933480/EN-US - 04/2018

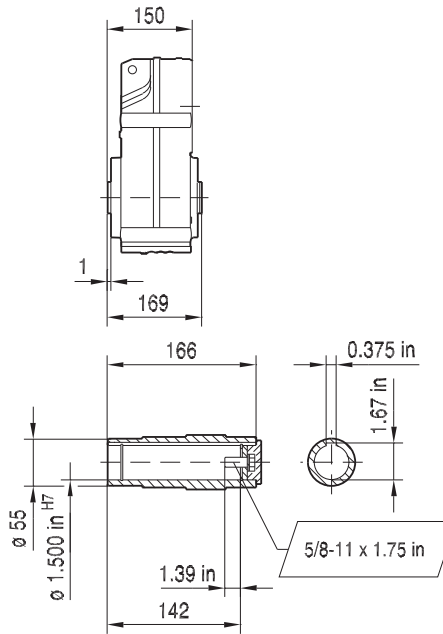


42 229 00 16

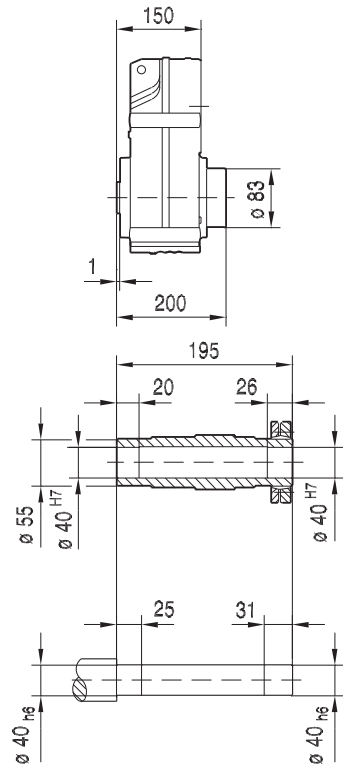
**FA57..**



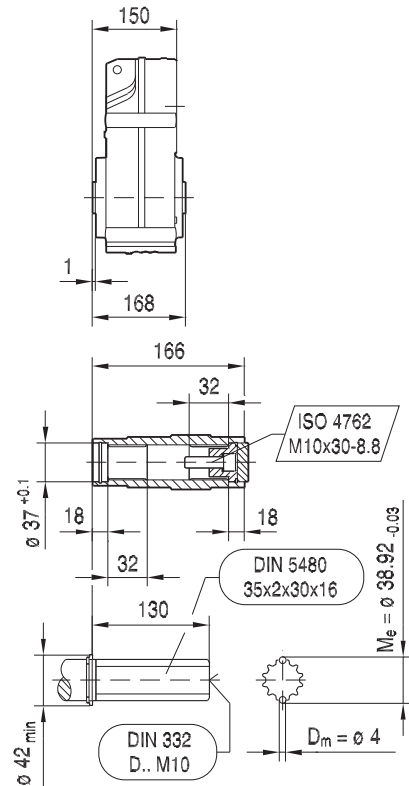
**FA57..**



**FH57..**  
max. DRN100L..



**FV57..**

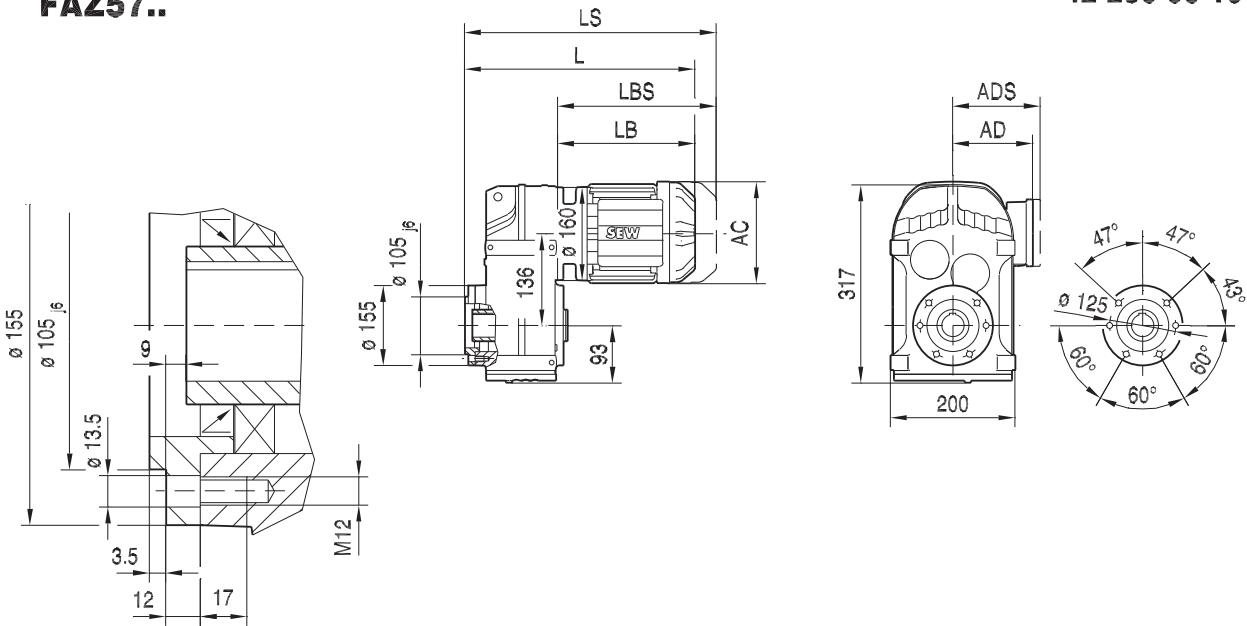


(→ 163)	DR63	DRS71S	DRS71M	DRN80M	DRN90S	DRN90L	DRN100L/LM	DRN112M	DRN132S	DRN132M
AC	132	139	139	156	179	179	197	221	221	261
AD	105	119	119	128	140	140	157	170	170	228
ADS	105	129	129	139	150	150	158	172	172	228
L	335	346	371	425	427	459	505	536	590	608
LS	390	414	439	506	520	552	599	648	702	746
LB	185	196	221	275	277	309	355	386	440	458
LBS	240	264	289	356	370	402	449	498	552	596

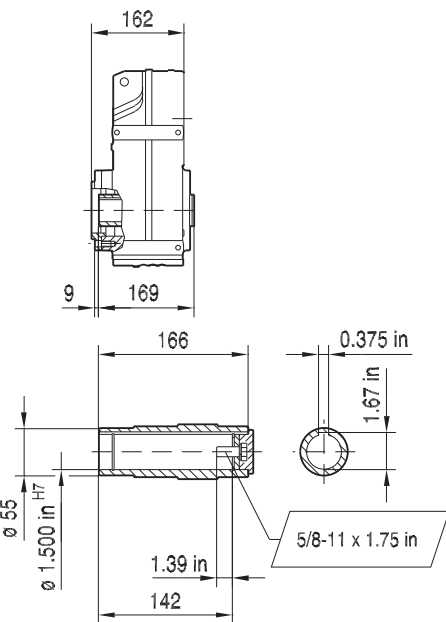
Dimensions in mm unless noted as inch. For all available output shaft diameters, see page 519. For tolerances, see page 163.

42 230 00 16

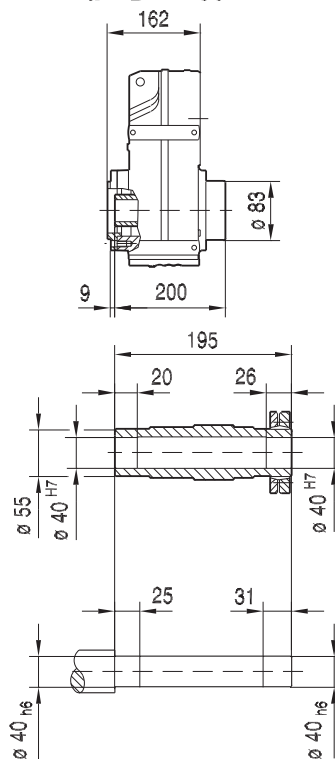
**FAZ57..**



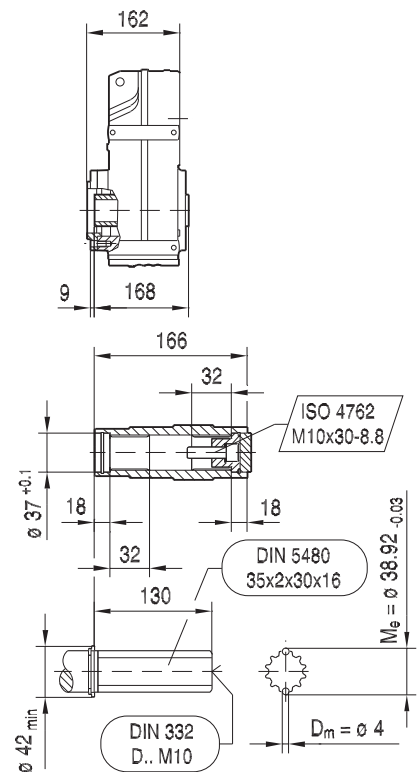
**FAZ57..**



**FHZ57..**  
max. DRN100L..



**FVZ57..**



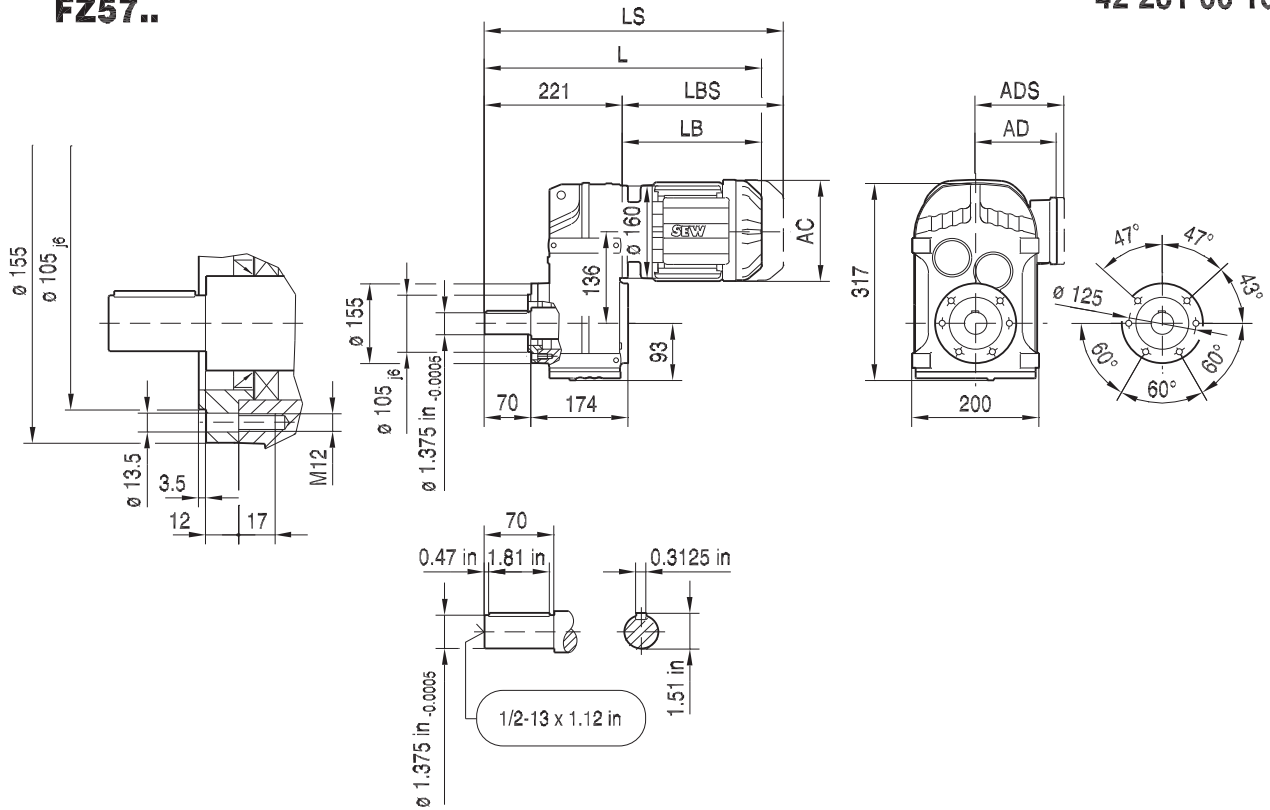
(→ 163)	DR63	DRS71S	DRS71M	DRN80M	DRN90S	DRN90L	DRN100L/LM	DRN112M	DRN132S	DRN132M
AC	132	139	139	156	179	179	197	221	221	261
AD	105	119	119	128	140	140	157	170	170	228
ADS	105	129	129	139	150	150	158	172	172	228
L	347	358	383	437	439	471	517	548	602	620
LS	402	426	451	518	532	564	611	660	714	758
LB	185	196	221	275	277	309	355	386	440	458
LBS	240	264	289	356	370	402	449	498	552	596

Dimensions in mm unless noted as inch. For all available output shaft diameters, see page 519. For tolerances, see page 163.

21933480/EN-US - 04/2018

42 231 00 16

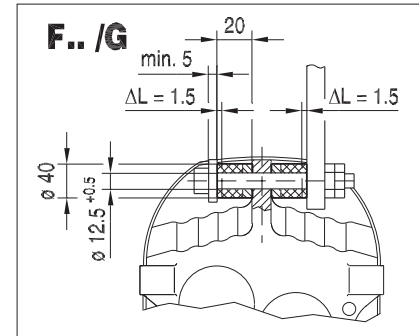
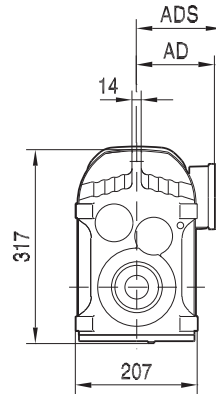
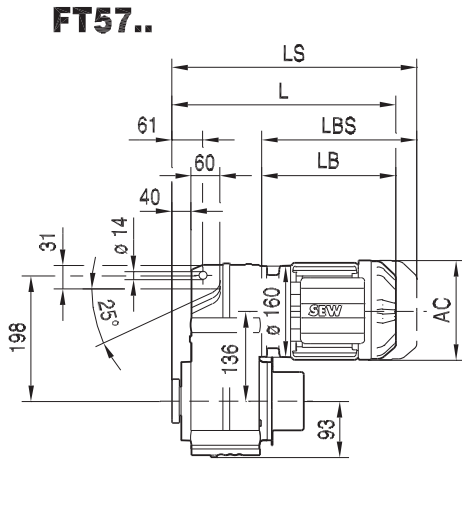
**FZ57..**



(→ 163)	DR63	DRS71S	DRS71M	DRN80M	DRN90S	DRN90L	DRN100L/LM	DRN112M	DRN132S	DRN132M
AC	132	139	139	156	179	179	197	221	221	261
AD	105	119	119	128	140	140	157	170	170	228
ADS	105	129	129	139	150	150	158	172	172	228
L	413	424	449	504	505	537	584	615	669	687
LS	468	492	517	585	599	631	677	727	781	824
LB	185	196	221	275	277	309	355	386	440	458
LBS	240	264	289	356	370	402	449	498	552	596

Dimensions in mm unless noted as inch. For all available output shaft diameters, see page 517. For tolerances, see page 163.

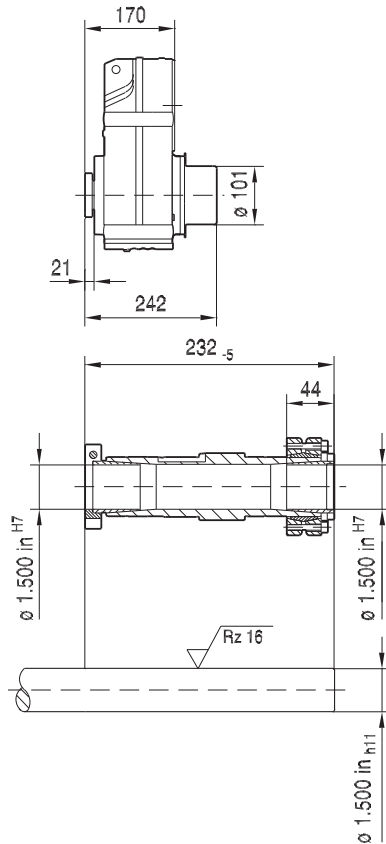
21933480/EN-US – 04/2018



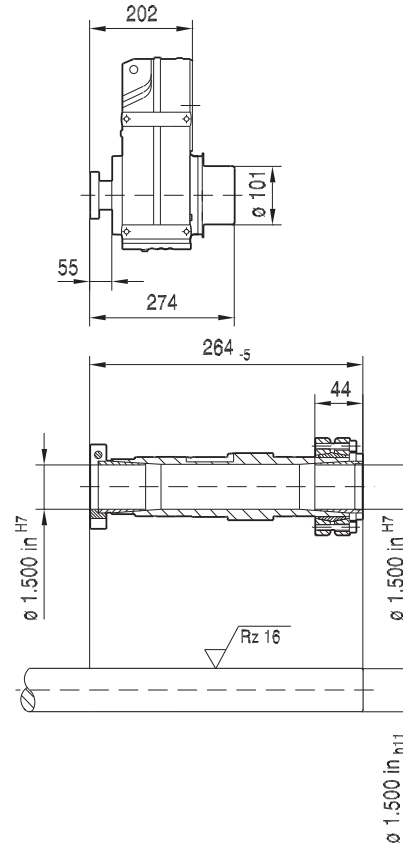
42 232 00 16

9

**FT57..  
NON-Symmetrical**



**FT57B..  
Symmetrical**

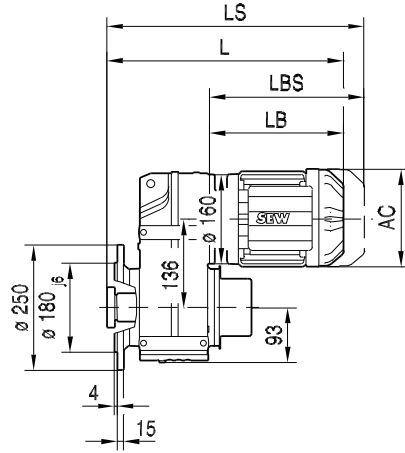


(→ 163)	DR63	DRS71S	DRS71M	DRN80M	DRN90S <sup>1)</sup>	DRN100L/LM <sup>1)</sup>
AC	132	139	139	156	179	197
AD	105	119	119	128	140	157
ADS	105	129	129	139	150	158
L	355	366	391	445	447	525
LS	410	434	459	526	540	619
LB	185	196	221	275	277	355
LBS	240	264	289	356	370	449

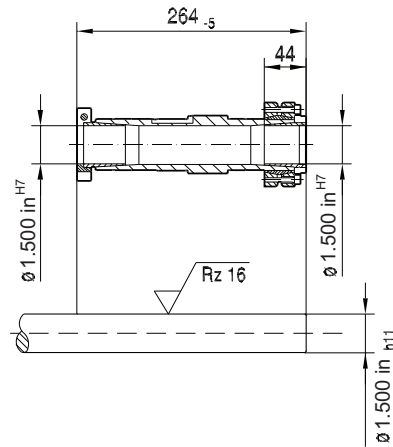
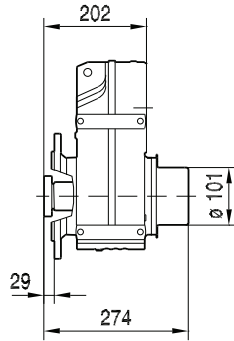
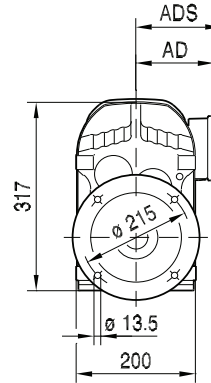
<sup>1)</sup> Combination requires a modified shaft cover. See page 142.

Dimensions in mm unless noted as inch. For all available output shaft diameters, see page 521. For tolerances, see page 163.

## FTF57..



## 42 025 03 13 US



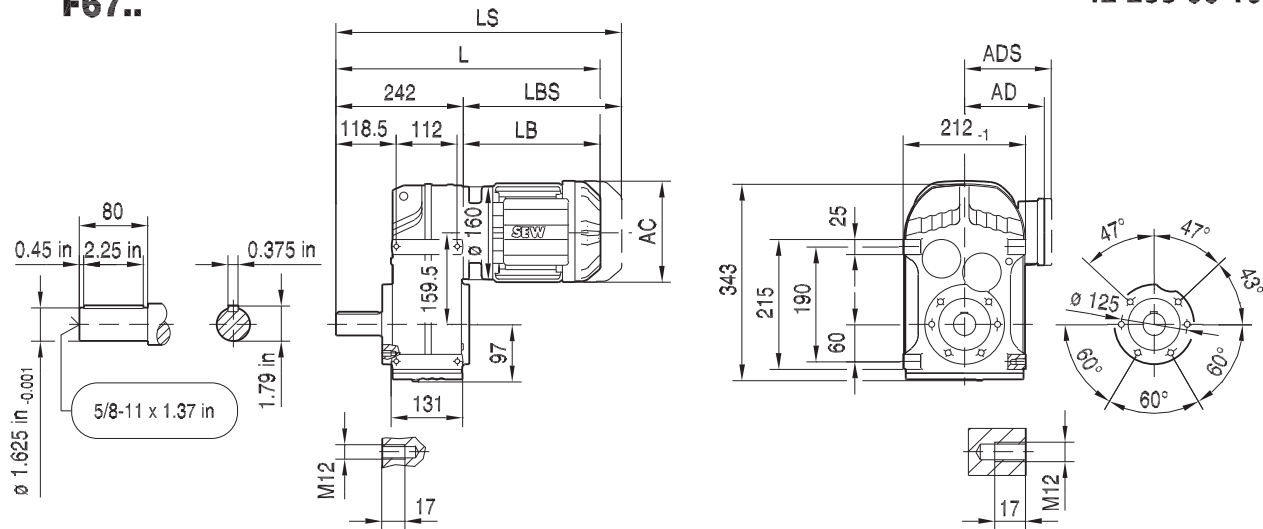
(→ 163)	DR63	DRS71S	DRS71M	DRN80M	DRN90S <sup>1)</sup>	DRN100L/LM <sup>1)</sup>
AC	132	139	139	156	179	197
AD	105	119	119	128	140	157
ADS	105	129	129	139	150	158
L	387	398	423	477	479	557
LS	442	466	491	558	572	651
LB	185	196	221	275	277	355
LBS	240	264	289	356	370	449

<sup>1)</sup> Combination requires a modified shaft cover. See page 142.

Dimensions in mm unless noted as inch. For all available output shaft diameters, see page 521. For tolerances, see page 163.

**F67..**

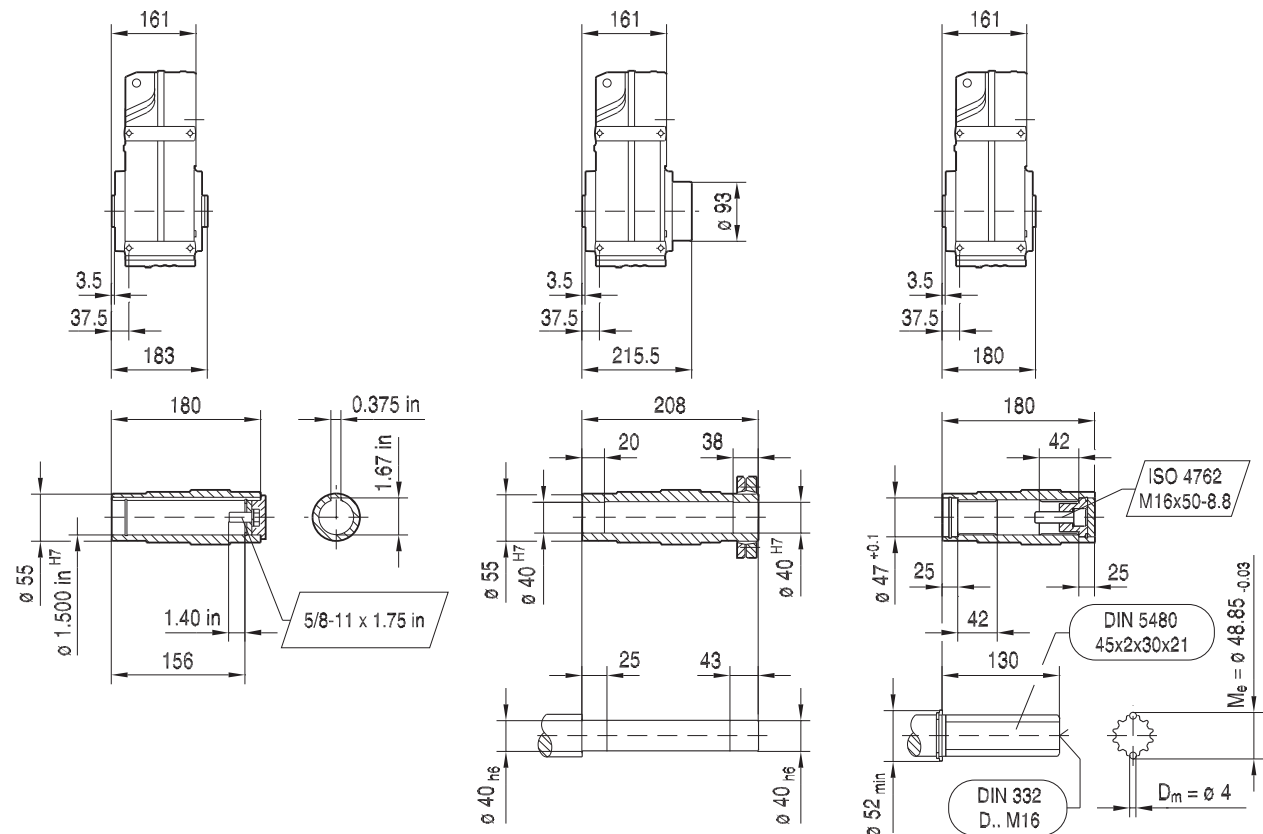
42 233 00 16



**FA67B..**

**FH67B..**  
max. DRN132S..

**FV67B..**



(↔ 163)	DR63	DRS71S	DRS71M	DRN80M	DRN90S	DRN90L	DRN100L/LM	DRN112M	DRN132S	DRN132M
AC	132	139	139	156	179	179	197	221	221	261
AD	105	119	119	128	140	140	157	170	170	228
ADS	105	129	129	139	150	150	158	172	172	228
L	427	438	463	517	519	551	597	628	682	700
LS	482	506	531	598	612	644	691	740	794	838
LB	185	196	221	275	277	309	355	386	440	458
LBS	240	264	289	356	370	402	449	498	552	596

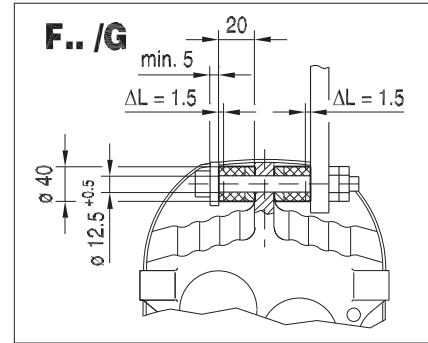
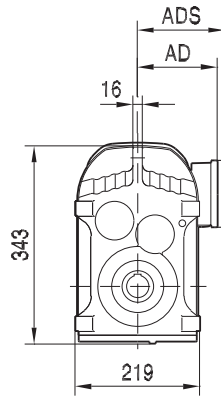
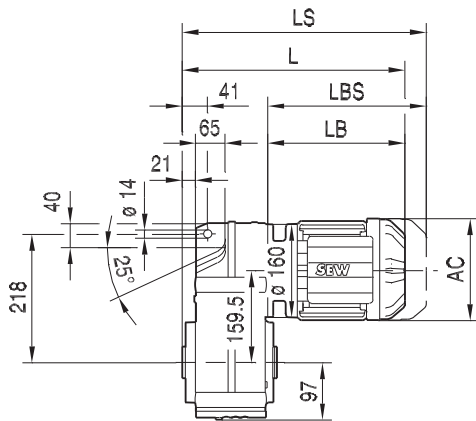
Dimensions in mm unless noted as inch. For all available output shaft diameters, see page 517. For tolerances, see page 163.

21933480/EN-US - 04/2018



**FA67..**

42 235 00 16

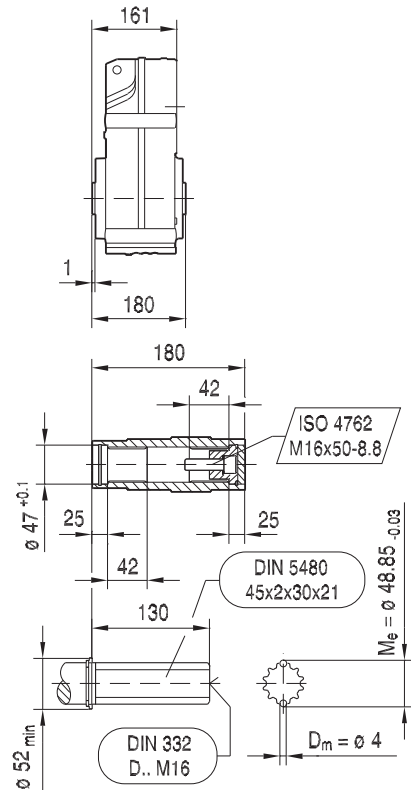
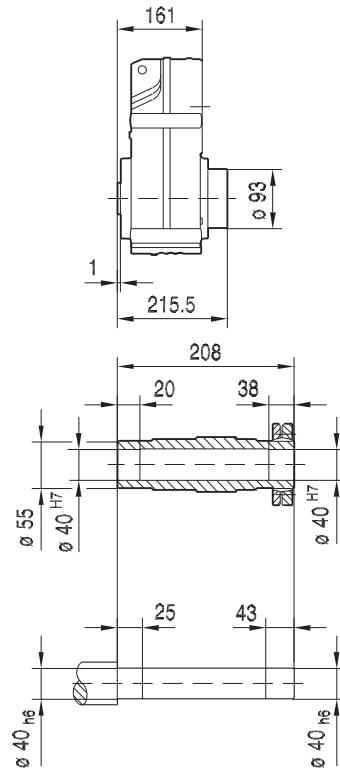
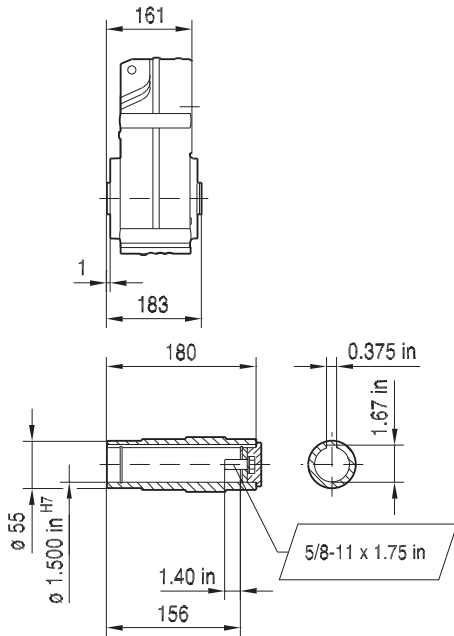


9

**FA67..**

**FH67..**  
max. DRN132S..

**FV67..**



(→ 163)	DR63	DRS71S	DRS71M	DRN80M	DRN90S	DRN90L	DRN100L/LM	DRN112M	DRN132S	DRN132M
AC	132	139	139	156	179	179	197	221	221	261
AD	105	119	119	128	140	140	157	170	170	228
ADS	105	129	129	139	150	150	158	172	172	228
L	346	357	382	436	438	470	516	547	601	619
LS	401	425	450	517	531	563	610	659	713	757
LB	185	196	221	275	277	309	355	386	440	458
LBS	240	264	289	356	370	402	449	498	552	596

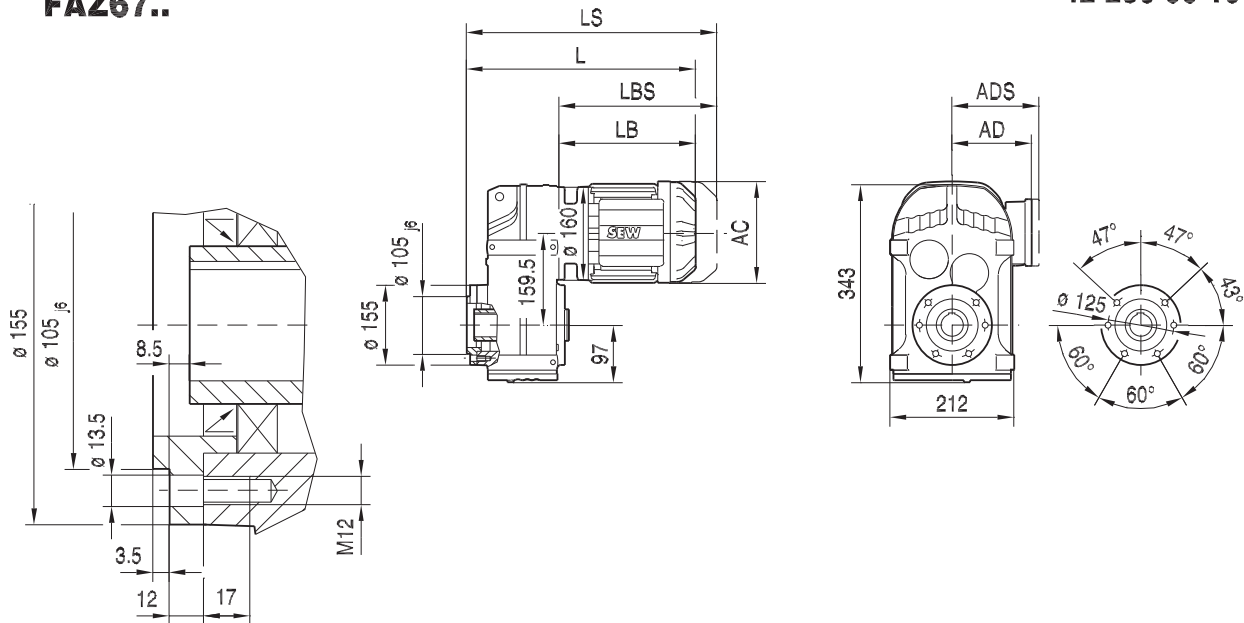
Dimensions in mm unless noted as inch. For all available output shaft diameters, see page 519. For tolerances, see page 163.

21933480/EN-US - 04/2018

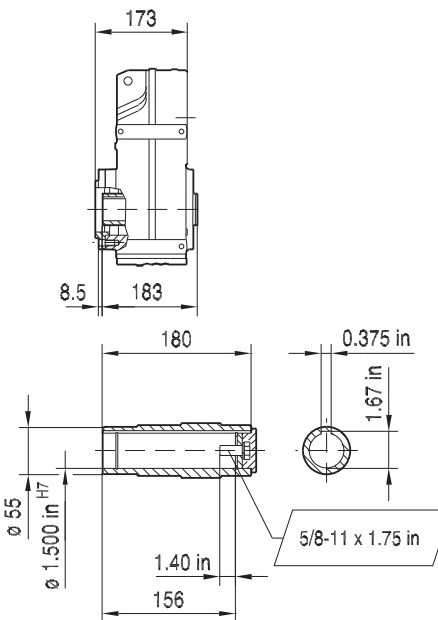


42 236 00 16

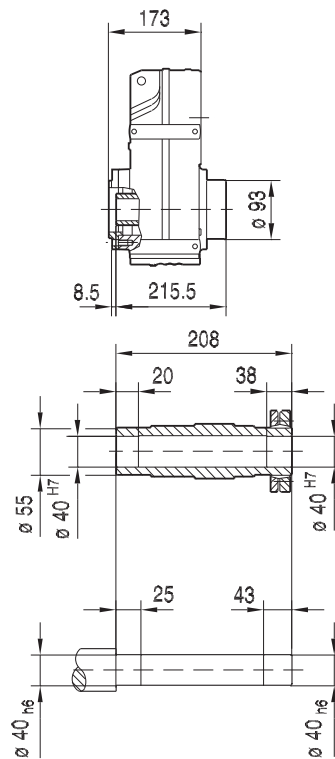
**FAZ67..**



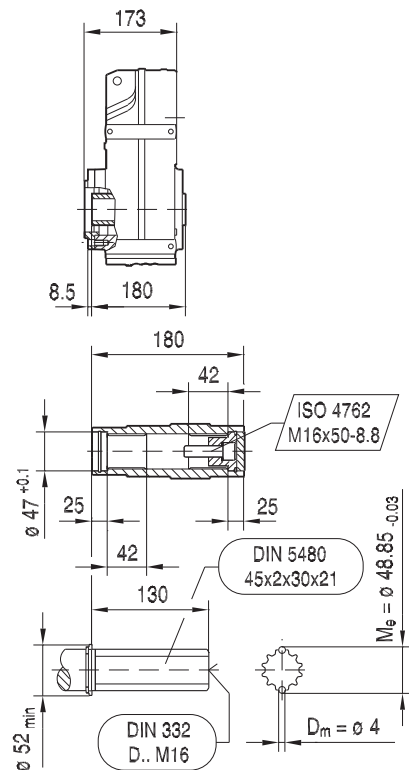
**FAZ67..**



**FHZ67..**  
max. DRN132S..



**FVZ67..**

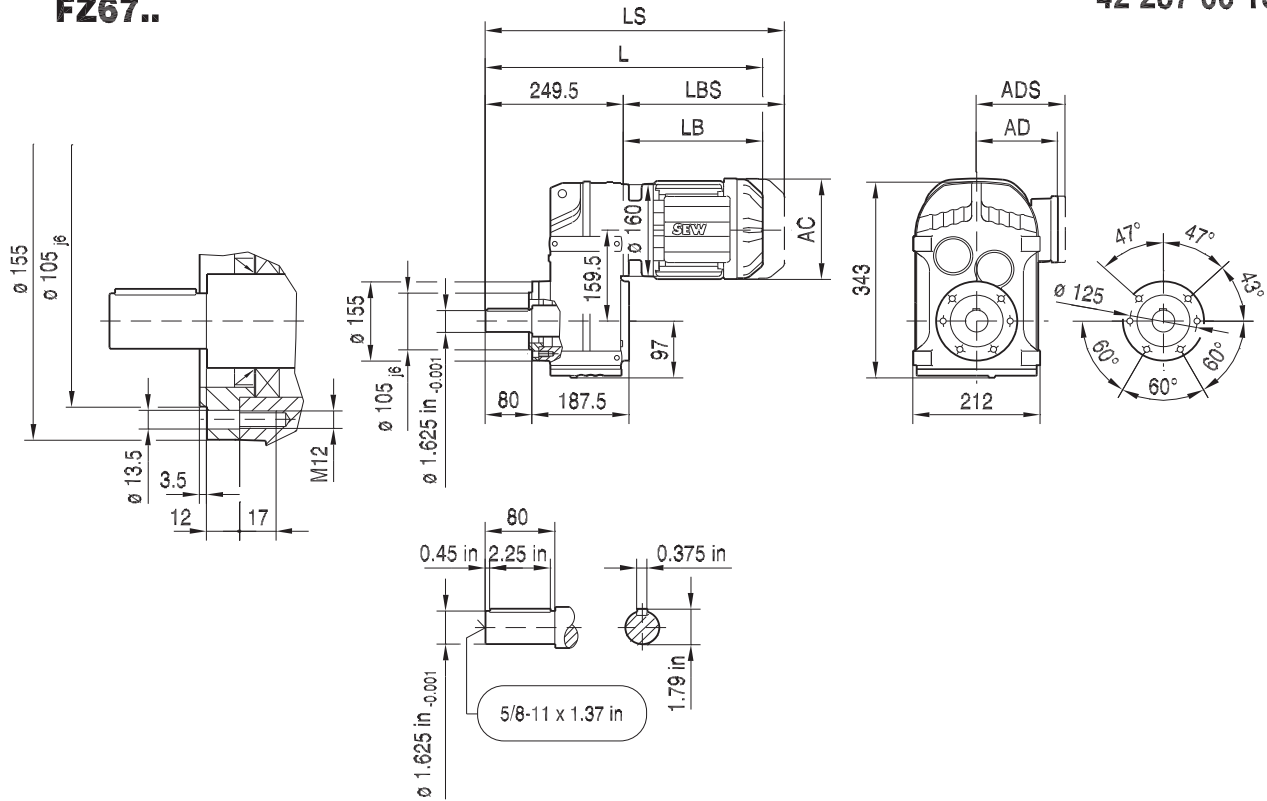


(→ 163)	DR63	DRS71S	DRS71M	DRN80M	DRN90S	DRN90L	DRN100L/LM	DRN112M	DRN132S	DRN132M
AC	132	139	139	156	179	179	197	221	221	261
AD	105	119	119	128	140	140	157	170	170	228
ADS	105	129	129	139	150	150	158	172	172	228
L	358	369	394	448	450	482	528	559	613	631
LS	413	437	462	529	543	575	622	671	725	769
LB	185	196	221	275	277	309	355	386	440	458
LBS	240	264	289	356	370	402	449	498	552	596

Dimensions in mm unless noted as inch. For all available output shaft diameters, see page 519. For tolerances, see page 163.

FZ67..

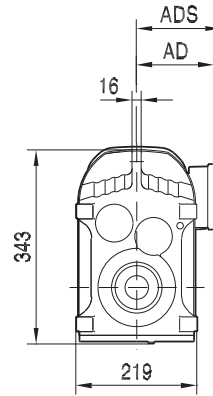
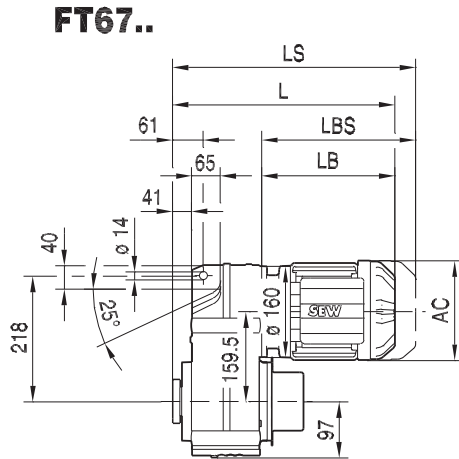
42 237 00 16



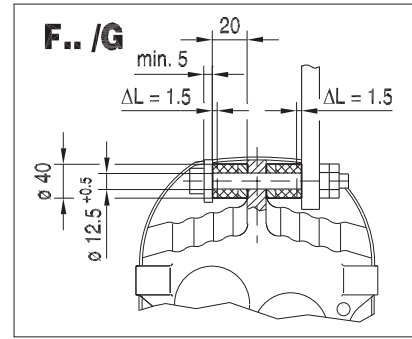
21933480/EN-US - 04/2018

(→ 163)	DR63	DRS71S	DRS71M	DRN80M	DRN90S	DRN90L	DRN100L/LM	DRN112M	DRN132S	DRN132M
AC	132	139	139	156	179	179	197	221	221	261
AD	105	119	119	128	140	140	157	170	170	228
ADS	105	129	129	139	150	150	158	172	172	228
L	434	445	470	525	526	558	605	636	690	708
LS	489	513	538	606	620	652	698	748	802	845
LB	185	196	221	275	277	309	355	386	440	458
LBS	240	264	289	356	370	402	449	498	552	596

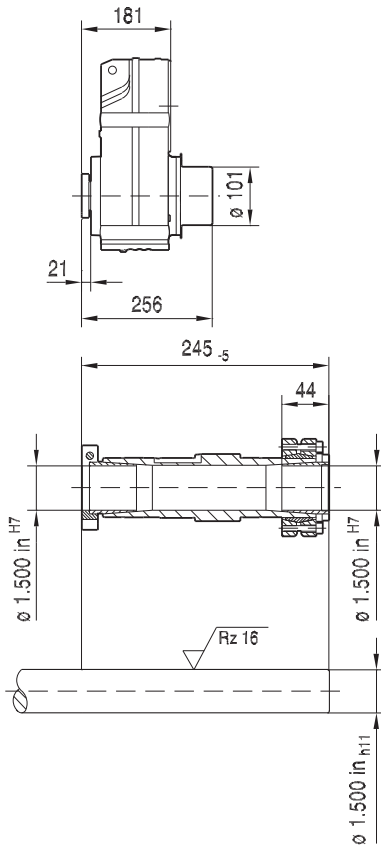
Dimensions in mm unless noted as inch. For all available output shaft diameters, see page 517. For tolerances, see page 163.



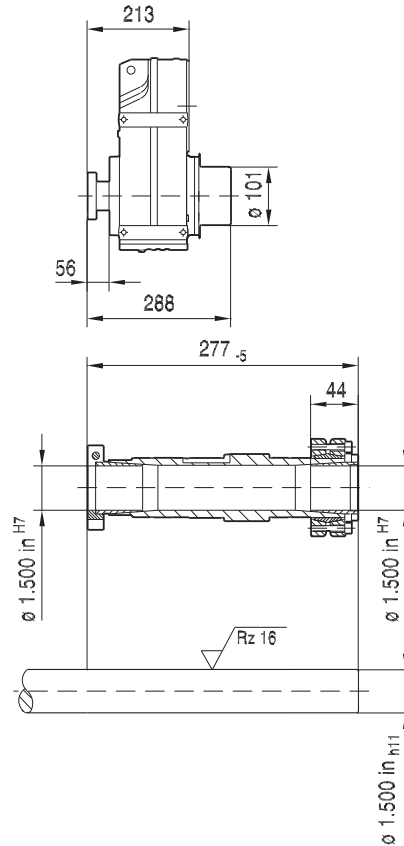
42 238 00 16



**FT67..**  
**NON-Symmetrical**



**FT67B..**  
**Symmetrical**



(→ 163)	DR63	DRS71S	DRS71M	DRN80M	DRN90S	DRN90L	DRN100/LM	DRN112M <sup>1)</sup>	DRN132S <sup>1)</sup>
AC	132	139	139	156	179	179	197	221	221
AD	105	119	119	128	140	140	157	170	170
ADS	105	129	129	139	150	150	158	172	172
L	366	377	402	456	458	490	536	567	621
LS	421	445	470	537	551	583	630	679	733
LB	185	196	221	275	277	309	355	386	440
LBS	240	264	289	356	370	402	449	498	552

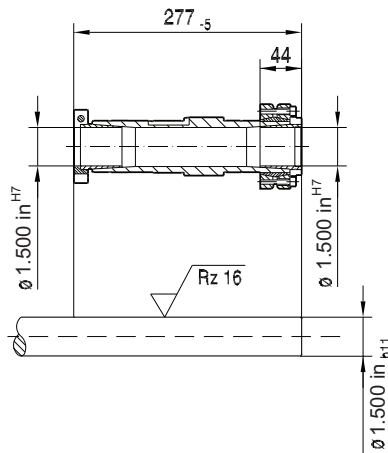
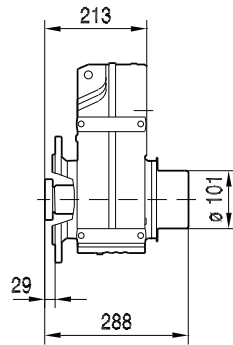
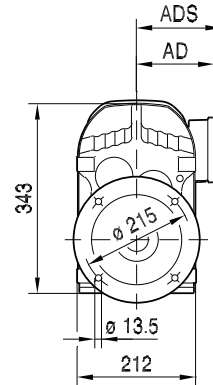
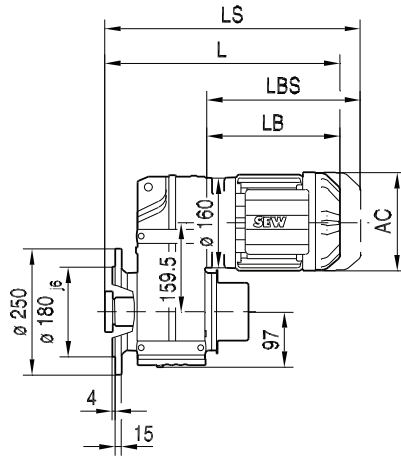
<sup>1)</sup> Combination requires a modified shaft cover. See page 142.

Dimensions in mm unless noted as inch. For all available output shaft diameters, see page 521. For tolerances, see page 163.

21933480/EN-US - 04/2018

FTF67..

42 026 03 13 US



9

21933480/EN-US - 04/2018

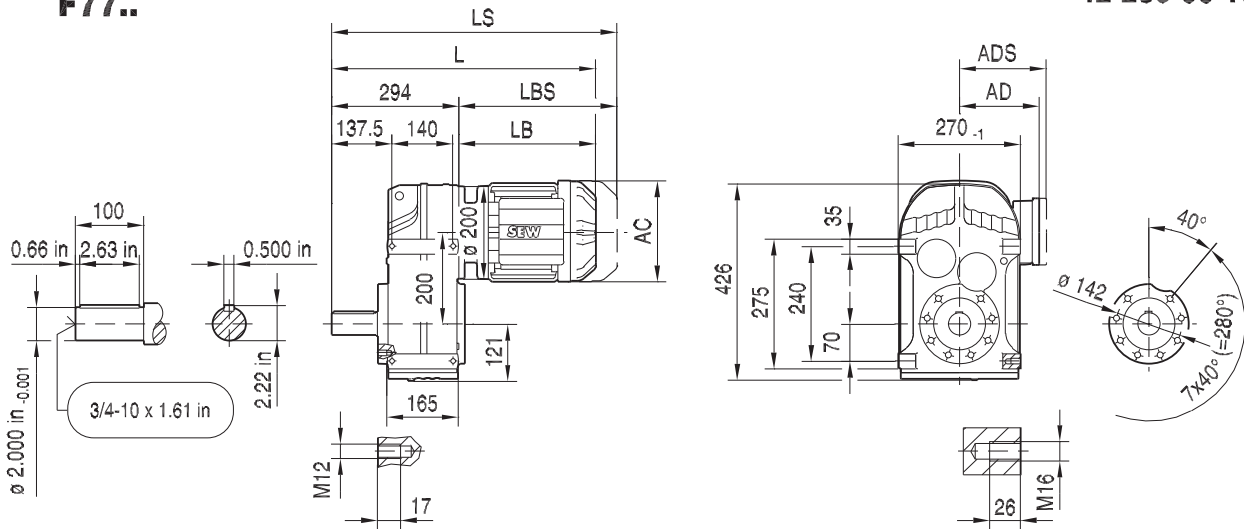
(→ 163)	DR63	DRS71S	DRS71M	DRN80M	DRN90S	DRN90L	DRN100L/LM	DRN112M <sup>1)</sup>	DRN132S <sup>1)</sup>
AC	132	139	139	156	179	179	197	221	221
AD	105	119	119	128	140	140	157	170	170
ADS	105	129	129	139	150	150	158	172	172
L	398	409	434	488	490	522	568	599	653
LS	453	477	502	569	583	615	662	711	765
LB	185	196	221	275	277	309	355	386	440
LBS	240	264	289	356	370	402	449	498	552

<sup>1)</sup> Combination requires a modified shaft cover. See page 142.

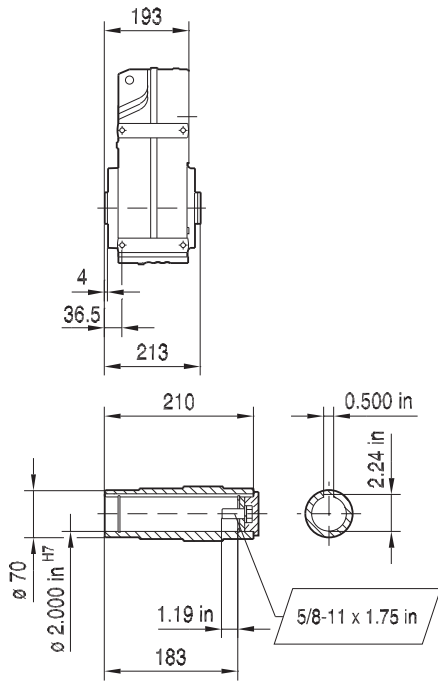
Dimensions in mm unless noted as inch. For all available output shaft diameters, see page 521. For tolerances, see page 163.

42 239 00 16

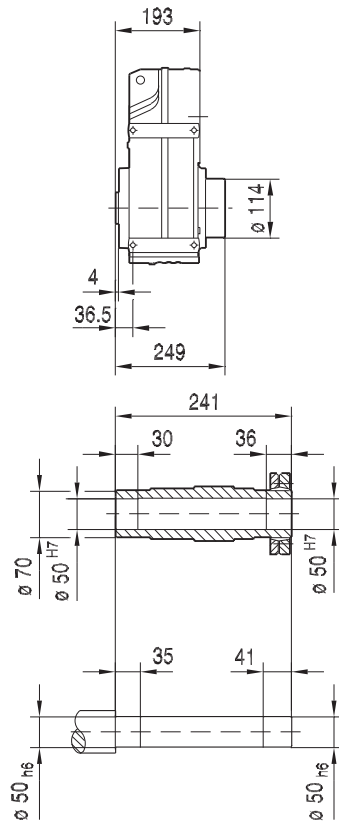
**F77..**



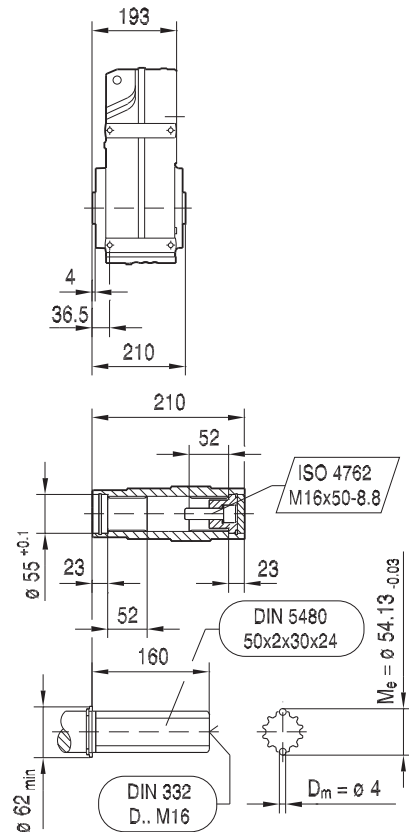
**FA77B..**



**FH77B..**  
max. DRN132L..



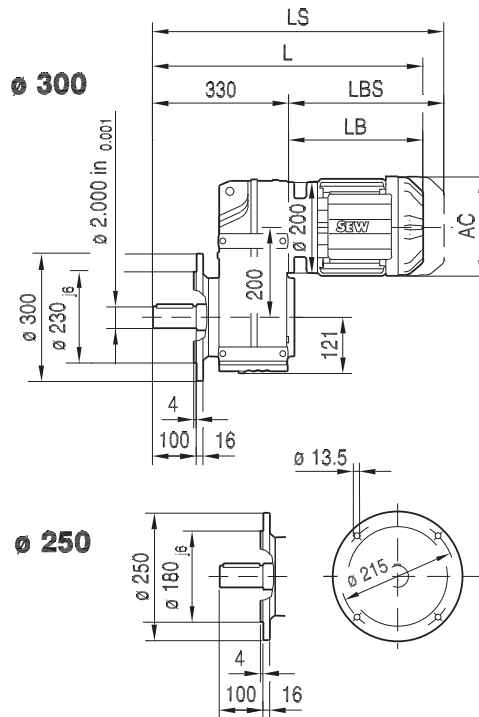
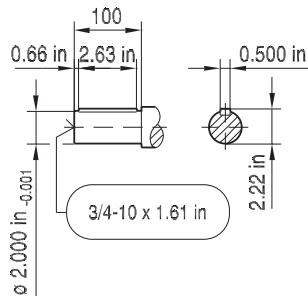
**FV77B..**



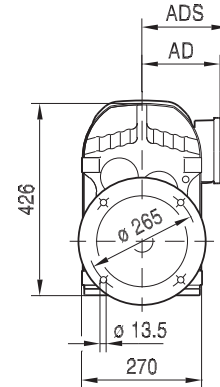
(← 163)	DRN80M	DRN90S	DRN90L	DRN100L/LM	DRN112M	DRN132S	DRN132M	DRN132L	DRN160
AC	156	179	179	197	221	221	261	261	314
AD	128	140	140	157	170	170	228	228	253
ADS	139	150	150	158	172	172	228	228	253
L	562	564	596	642	673	723	741	767	833
LS	643	657	689	736	785	835	879	904	1022
LB	268	270	302	348	379	429	447	473	539
LBS	349	363	395	442	491	541	585	610	728

Dimensions in mm unless noted as inch. For all available output shaft diameters, see page 517. For tolerances, see page 163.

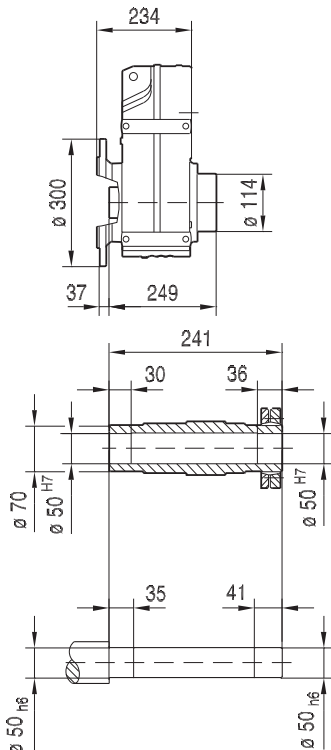
**FF77..**



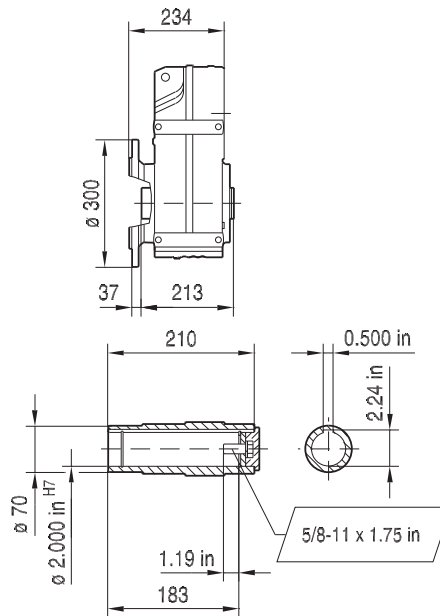
**42 240 00 16US**



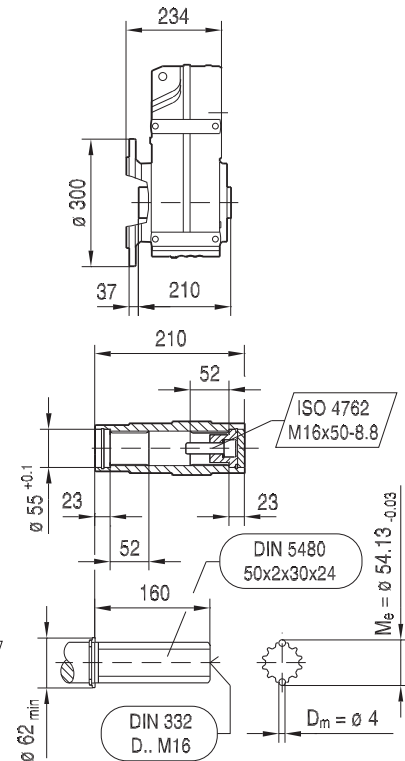
**FHF77..**  
max. DRN132L..



**FAF77..**



**FVF77..**

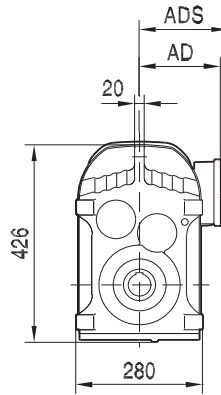
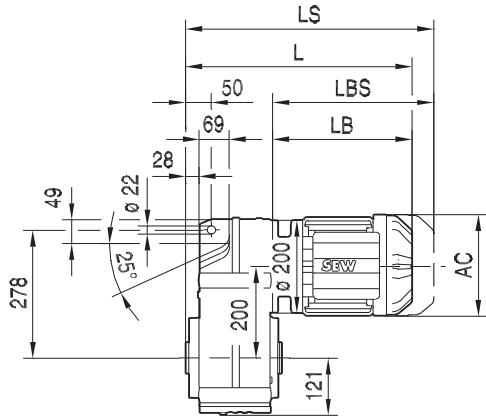


(→ 163)	DRN80M	DRN90S	DRN90L	DRN100L/LM	DRN112M	DRN132S	DRN132M	DRN132L	DRN160
AC	156	179	179	197	221	221	261	261	314
AD	128	140	140	157	170	170	228	228	253
ADS	139	150	150	158	172	172	228	228	253
L	598	600	632	678	709	759	777	803	869
LS	679	693	725	772	821	871	915	940	1058
LB	268	270	302	348	379	429	447	473	539
LBS	349	363	395	442	491	541	585	610	728

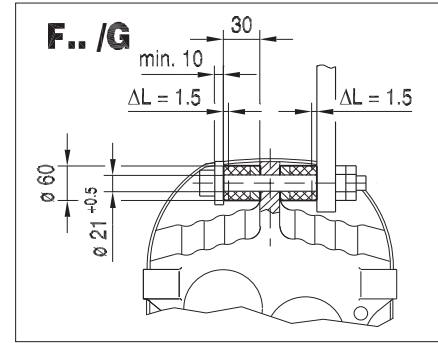
Dimensions in mm unless noted as inch. For all available output shaft diameters, see page 517. For tolerances, see page 163.

21933480/EN-US - 04/2018

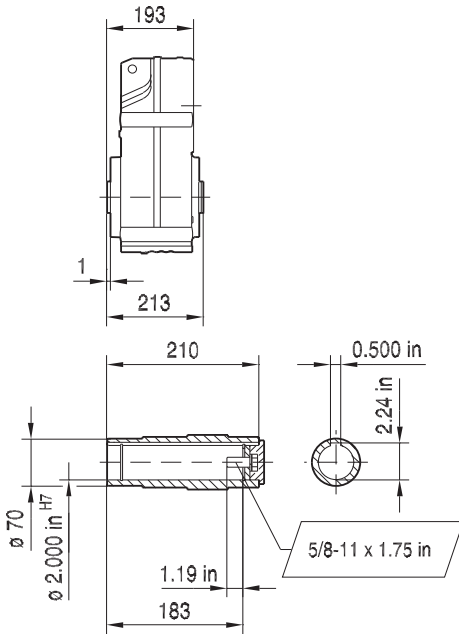
**FA77..**



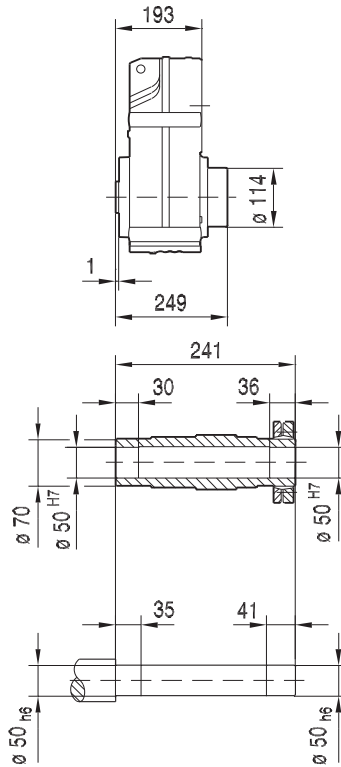
42 241 00 16



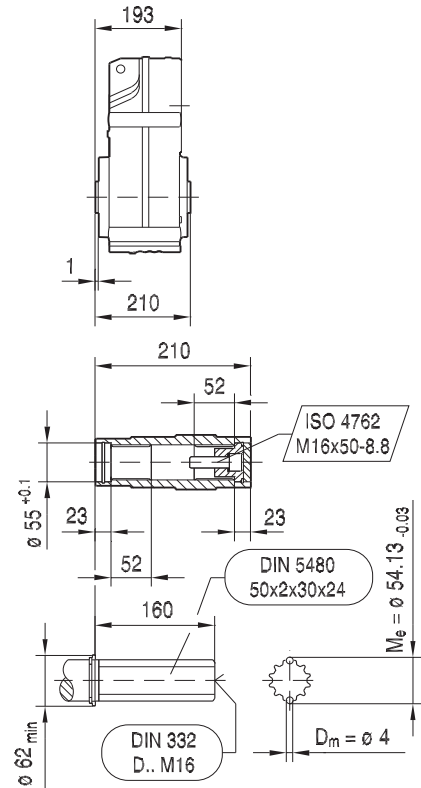
**FA77..**



**FH77..**  
max. DRN132L..



**FV77..**



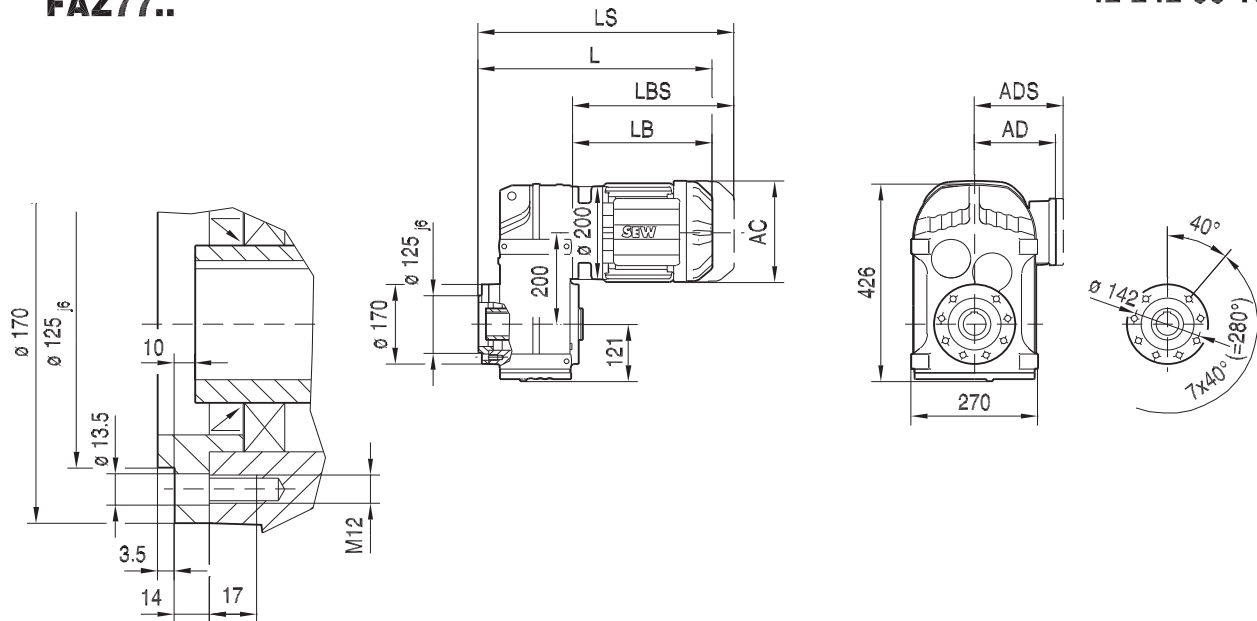
(→ 163)	DRN80M	DRN90S	DRN90L	DRN100L/LM	DRN112M	DRN132S	DRN132M	DRN132L	DRN160
AC	156	179	179	197	221	221	261	261	314
AD	128	140	140	157	170	170	228	228	253
ADS	139	150	150	158	172	172	228	228	253
L	461	463	495	541	572	622	640	666	732
LS	542	556	588	635	684	734	778	803	921
LB	268	270	302	348	379	429	447	473	539
LBS	349	363	395	442	491	541	585	610	728

Dimensions in mm unless noted as inch. For all available output shaft diameters, see page 519. For tolerances, see page 163.

21933480/EN-US - 04/2018

**FAZ77..**

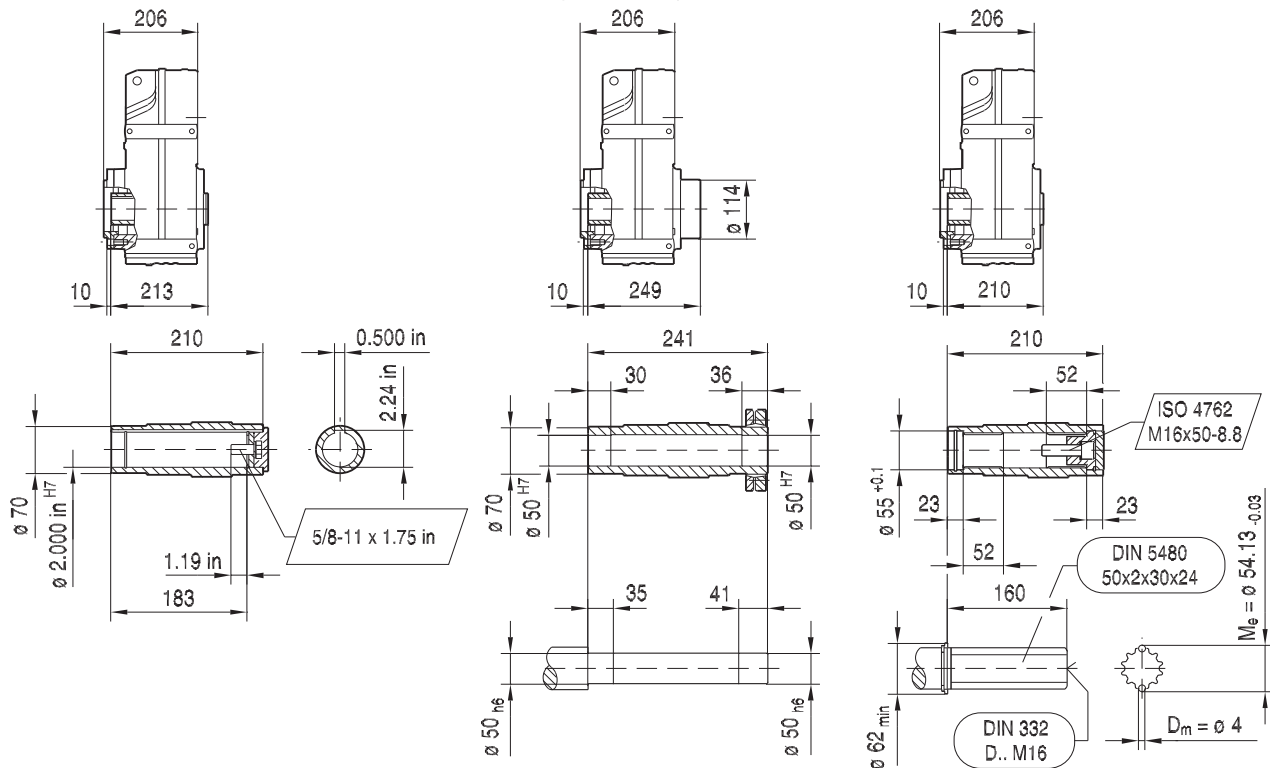
42 242 00 16



**FAZ77..**

**FHZ77..**  
max. DRN132L..

**FVZ77..**



(→ 163)	DRN80M	DRN90S	DRN90L	DRN100L/LM	DRN112M	DRN132S	DRN132M	DRN132L	DRN160
AC	156	179	179	197	221	221	261	261	314
AD	128	140	140	157	170	170	228	228	253
ADS	139	150	150	158	172	172	228	228	253
L	474	476	508	554	585	635	653	679	745
LS	555	569	601	648	697	747	791	816	934
LB	268	270	302	348	379	429	447	473	539
LBS	349	363	395	442	491	541	585	610	728

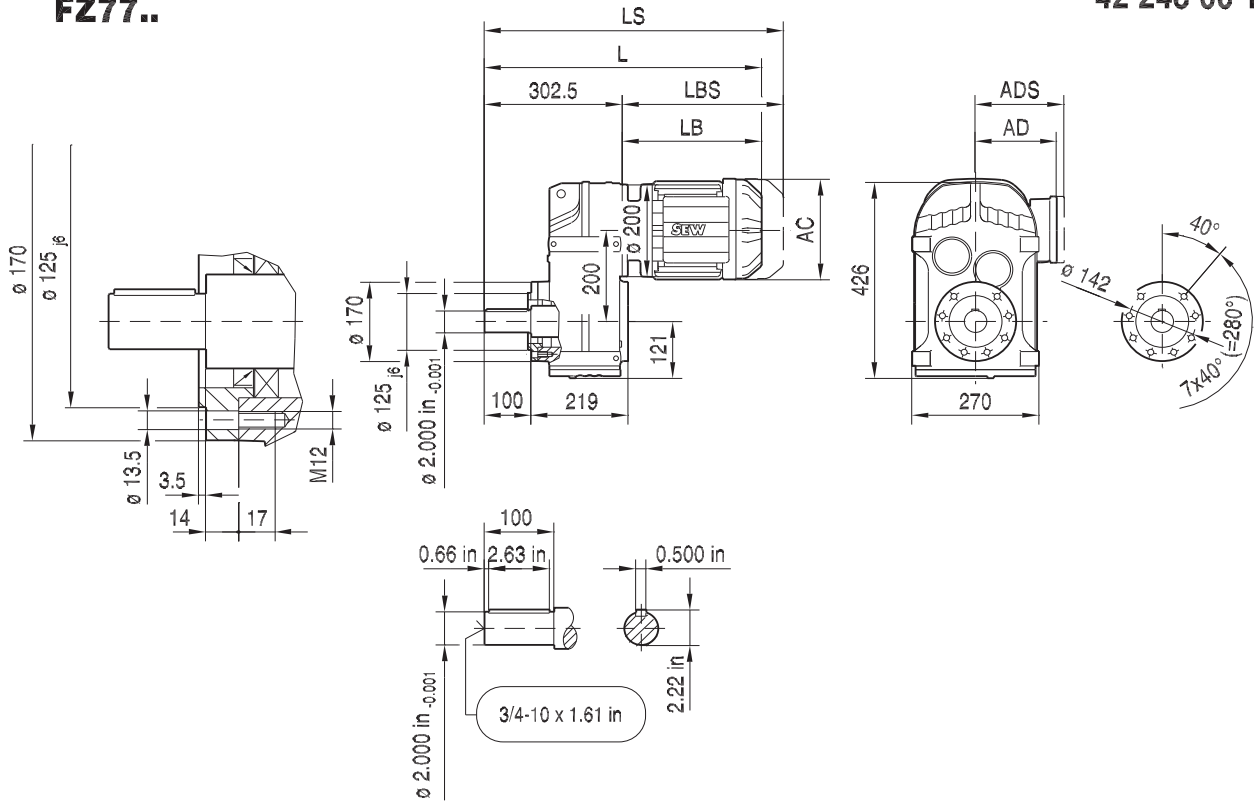
Dimensions in mm unless noted as inch. For all available output shaft diameters, see page 519. For tolerances, see page 163.

21933480/EN-US - 04/2018



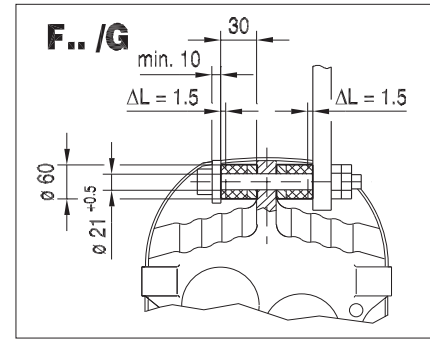
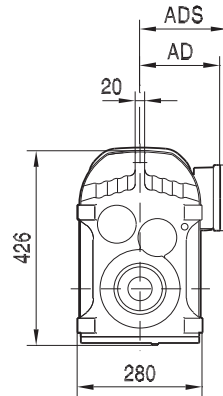
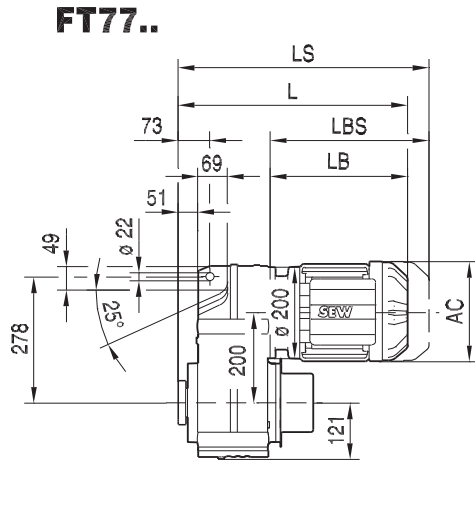
**FZ77..**

42 243 00 16



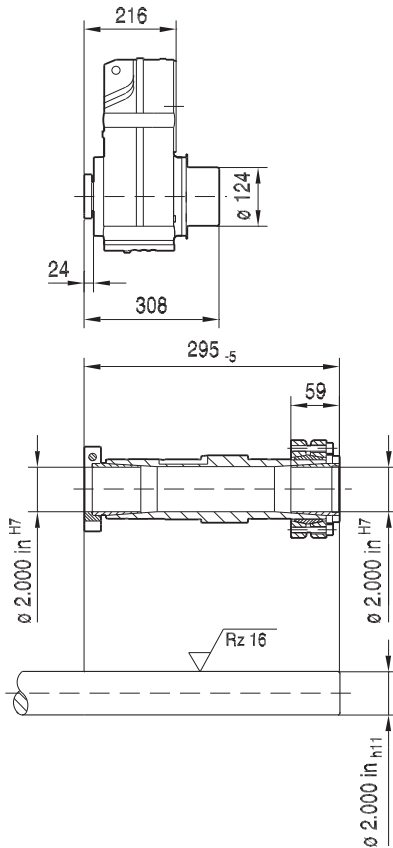
(→ 163)	DRN80M	DRN90S	DRN90L	DRN100L/LM	DRN112M	DRN132S	DRN132M	DRN132L	DRN160
AC	156	179	179	197	221	221	261	261	314
AD	128	140	140	157	170	170	228	228	253
ADS	139	150	150	158	172	172	228	228	253
L	571	572	604	651	682	732	750	775	842
LS	652	666	698	744	794	844	887	912	1031
LB	268	270	302	348	379	429	447	473	539
LBS	349	363	395	442	491	541	585	610	728

Dimensions in mm unless noted as inch. For all available output shaft diameters, see page 517. For tolerances, see page 163.

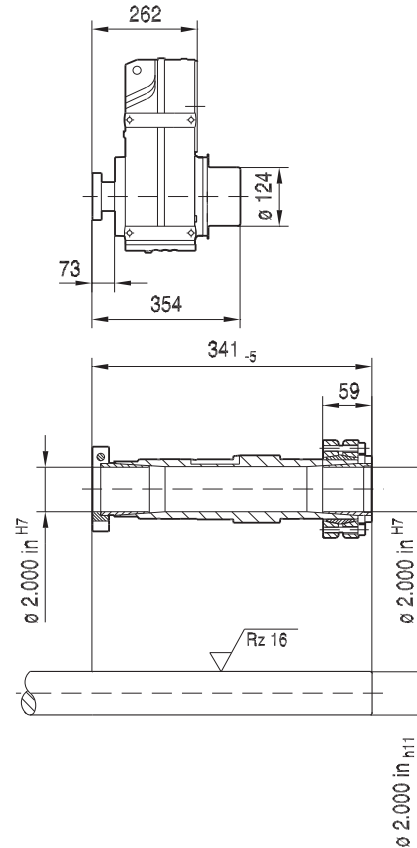


42 244 00 16

**FT77..**  
**NON-Symmetrical**



**FT77B..**  
**Symmetrical**



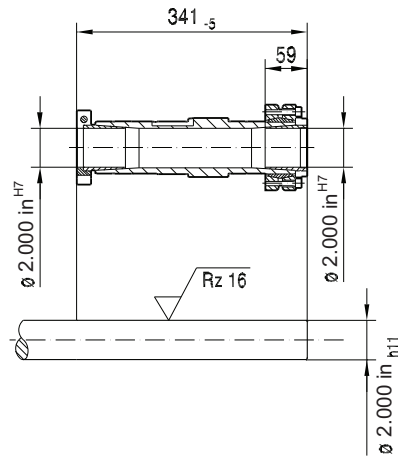
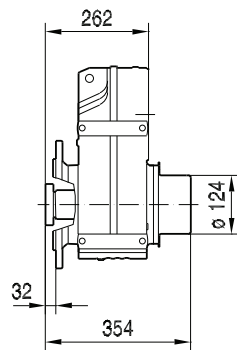
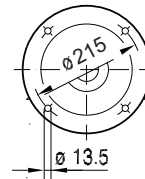
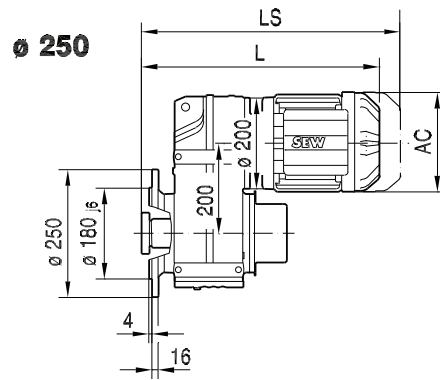
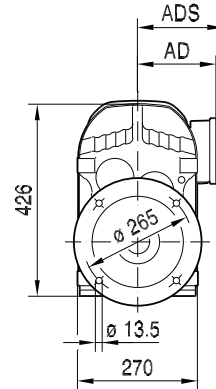
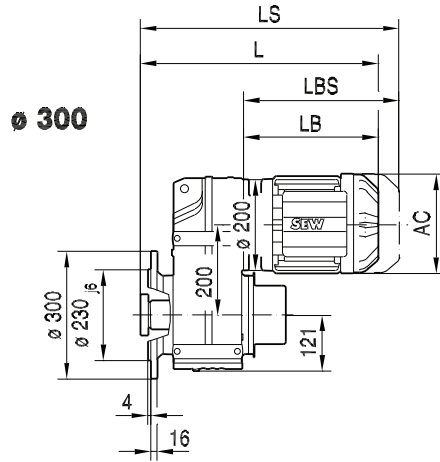
(→ 163)	DRN80M	DRN90S	DRN90L	DRN100L/LM	DRN112M	DRN132S	DRN132M	DRN132L	DRN160 <sup>1)</sup>
AC	156	179	179	197	221	221	261	261	314
AD	128	140	140	157	170	170	228	228	253
ADS	139	150	150	158	172	172	228	228	253
L	484	486	518	564	595	645	663	689	755
LS	565	579	611	658	707	757	801	826	944
LB	268	270	302	348	379	429	447	473	539
LBS	349	363	395	442	491	541	585	610	728

<sup>1)</sup> Combination requires a modified shaft cover. See page 142.

Dimensions in mm unless noted as inch. For all available output shaft diameters, see page 521. For tolerances, see page 163.

**FTF77..**

**42 027 03 13 US**

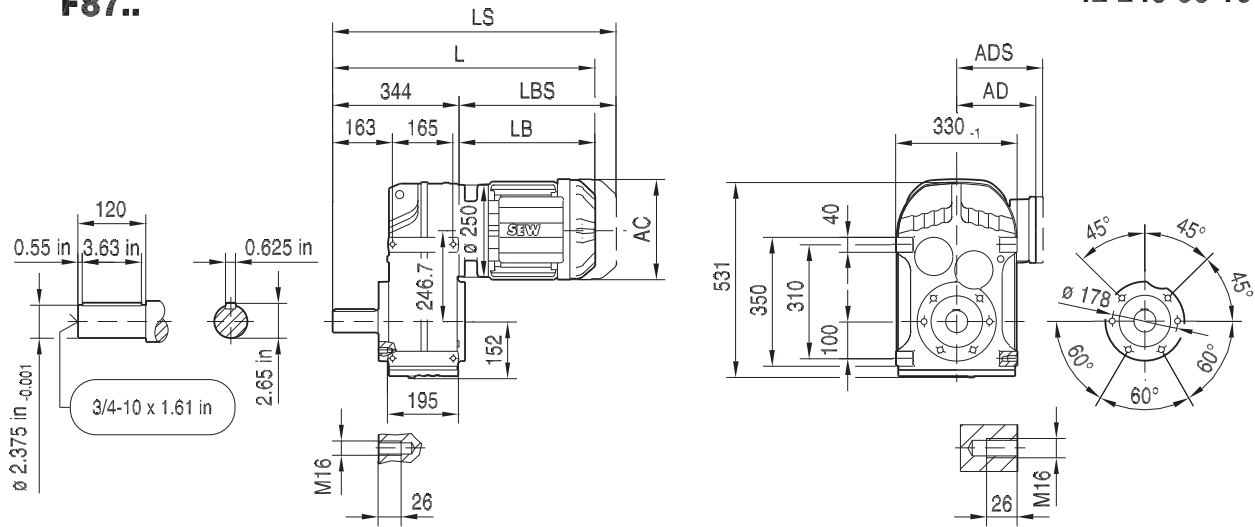


(→ 163)	DRN80M	DRN90S	DRN90L	DRN100L/LM	DRN112M	DRN132S	DRN132M	DRN132L	DRN160 <sup>1)</sup>
AC	156	179	179	197	221	221	261	261	314
AD	128	140	140	157	170	170	228	228	253
ADS	139	150	150	158	172	172	228	228	253
L	530	532	564	610	641	691	709	735	801
LS	611	625	657	704	753	803	847	872	990
LB	268	270	302	348	379	429	447	473	539
LBS	349	363	395	442	491	541	585	610	728

<sup>1)</sup> Combination requires a modified shaft cover. See page 142.  
Dimensions in mm unless noted as inch. For all available output shaft diameters, see page 521. For tolerances, see page 163.

**F87..**

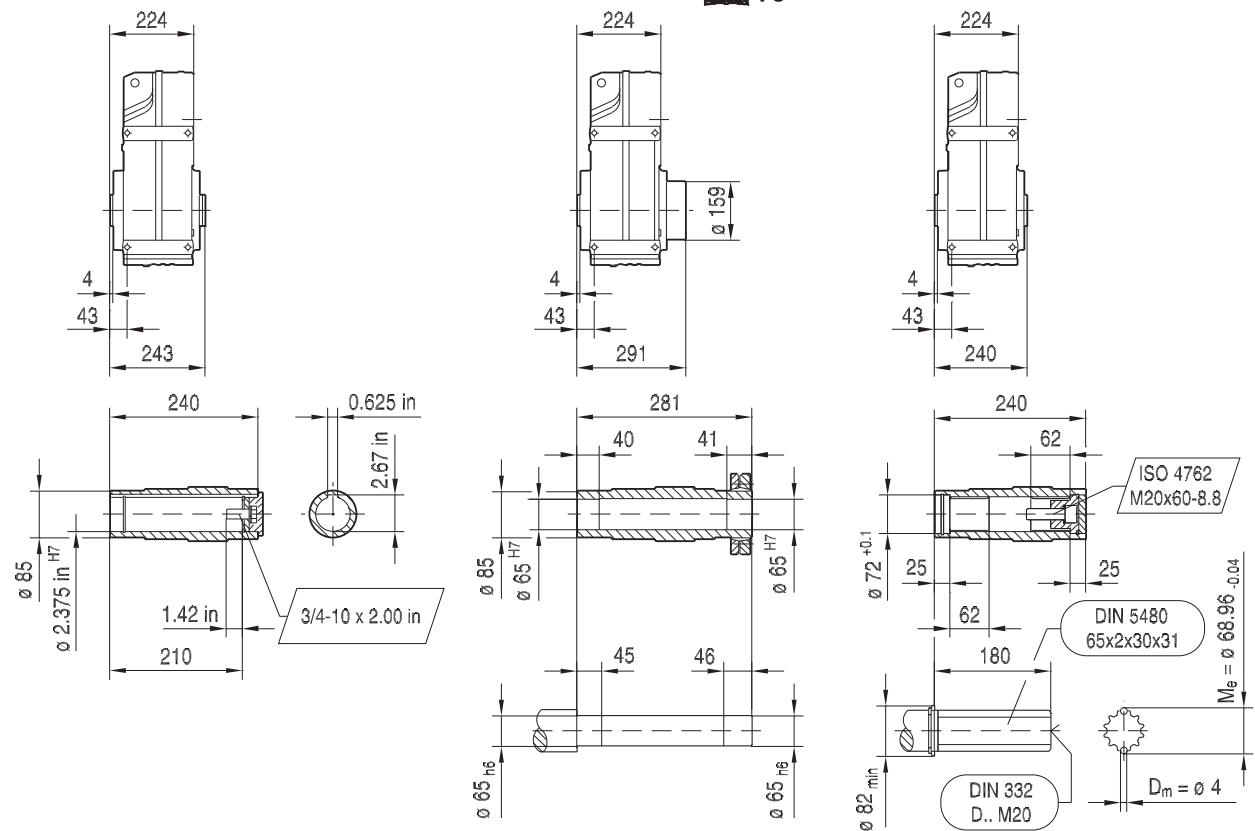
42 245 00 16



**FA87B..**

**FH87B..**  
**FH87B/R..** → pg. 120

**FV87B..**

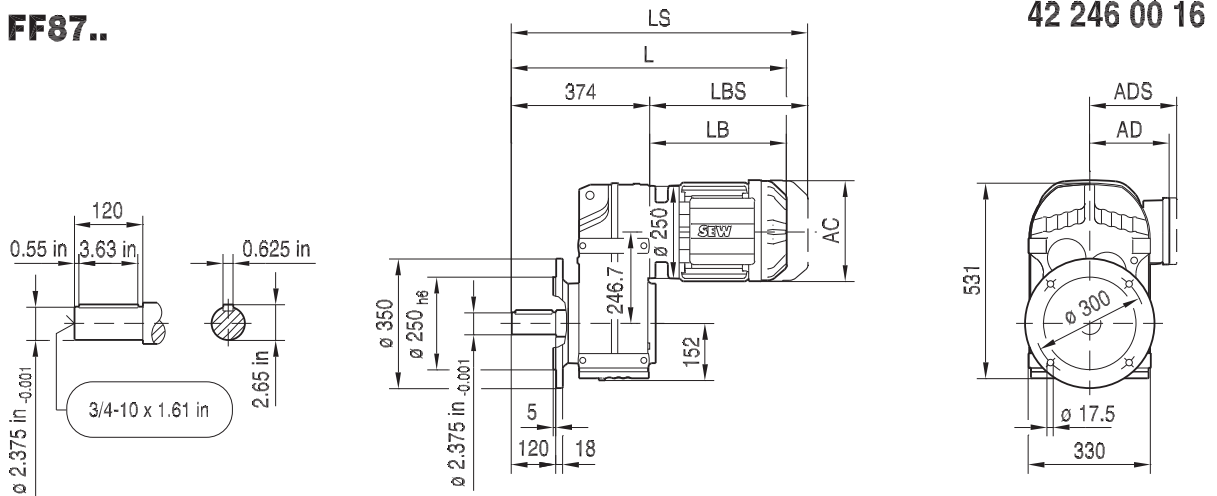


(→ 163)	DRN90S	DRN90L	DRN100L/LM	DRN112M	DRN132S	DRN132M	DRN132L	DRN160	DRN180
AC	179	179	197	221	221	261	261	314	357
AD	140	140	157	170	170	228	228	253	268
ADS	150	150	158	172	172	228	228	253	268
L	609	641	687	718	768	786	812	878	901
LS	702	734	781	830	880	924	949	1067	1090
LB	265	297	343	374	424	442	468	534	557
LBS	358	390	437	486	536	580	605	723	746

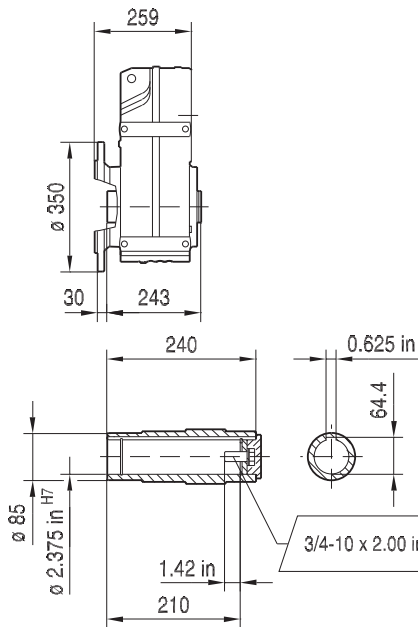
Dimensions in mm unless noted as inch. For all available output shaft diameters, see page 517. For tolerances, see page 163.

21933480/EN-US - 04/2018

**FF87..**

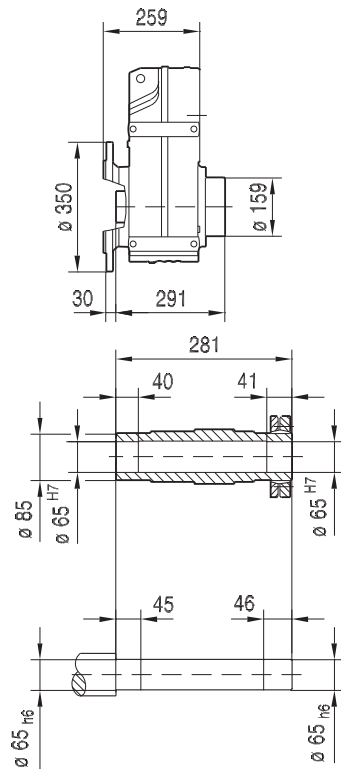


**FAF87..**

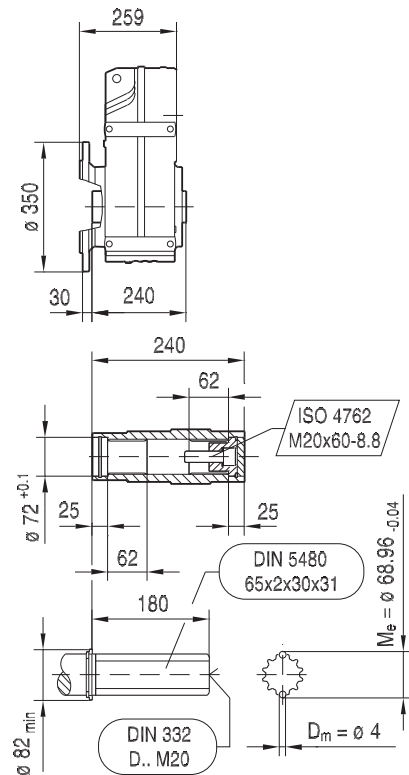


**FHF87..**

FHF87/R.. → pg. 120



**FVF87..**

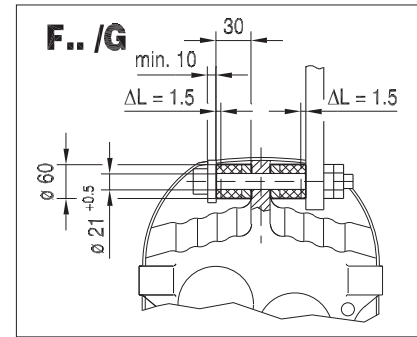
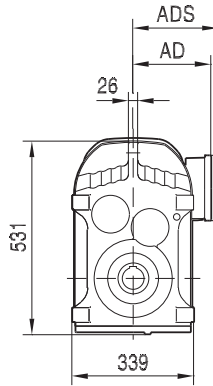
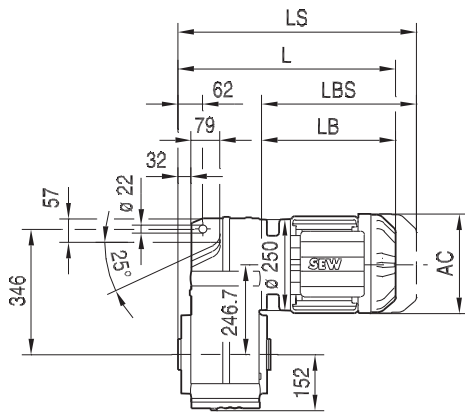


(→  163)	DRN90S	DRN90L	DRN100L/LM	DRN112M	DRN132S	DRN132M	DRN132L	DRN160	DRN180
AC	179	179	197	221	221	261	261	314	357
AD	140	140	157	170	170	228	228	253	268
ADS	150	150	158	172	172	228	228	253	268
L	639	671	717	748	798	816	842	908	931
LS	732	764	811	860	910	954	979	1097	1120
LB	265	297	343	374	424	442	468	534	557
LBS	358	390	437	486	536	580	605	723	746

Dimensions in mm unless noted as inch. For all available output shaft diameters, see page 517. For tolerances, see page 163.

**FA87..**

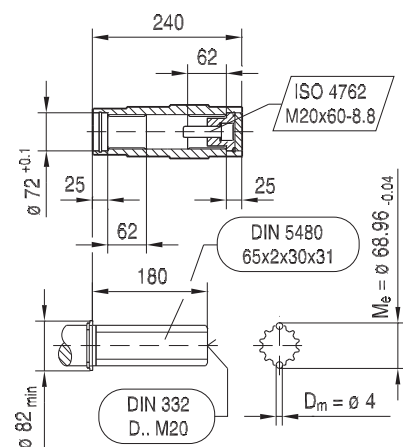
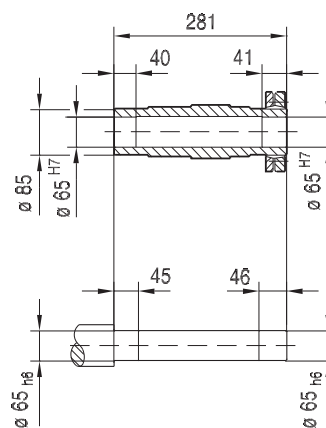
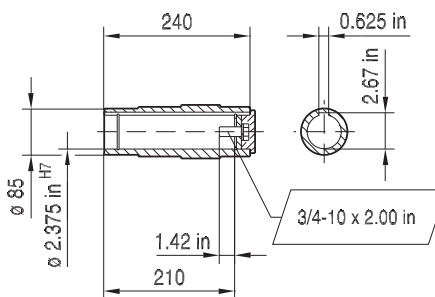
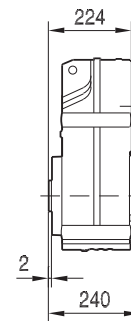
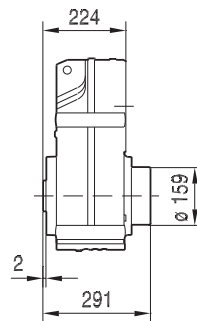
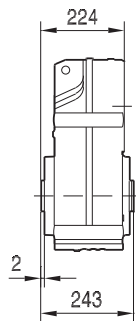
42 247 00 16



**FA87..**

**FH87..**  
**FH87/R..** → pg. 120

**FV87..**

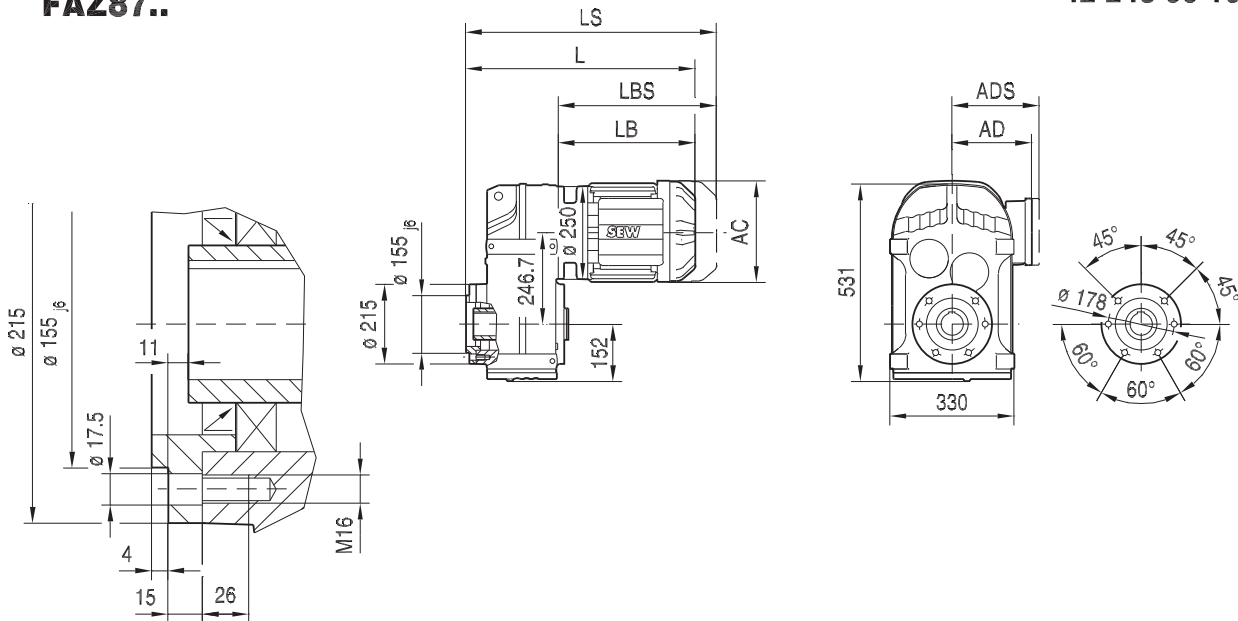


(→ 163)	DRN90S	DRN90L	DRN100L/LM	DRN112M	DRN132S	DRN132M	DRN132L	DRN160	DRN180
AC	179	179	197	221	221	261	261	314	357
AD	140	140	157	170	170	228	228	253	268
ADS	150	150	158	172	172	228	228	253	268
L	489	521	567	598	648	666	692	758	781
LS	582	614	661	710	760	804	829	947	970
LB	265	297	343	374	424	442	468	534	557
LBS	358	390	437	486	536	580	605	723	746

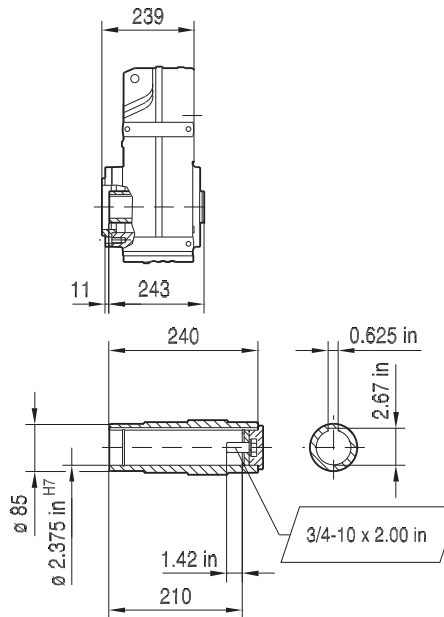
Dimensions in mm unless noted as inch. For all available output shaft diameters, see page 519. For tolerances, see page 163.

42 248 00 16

**FAZ87..**

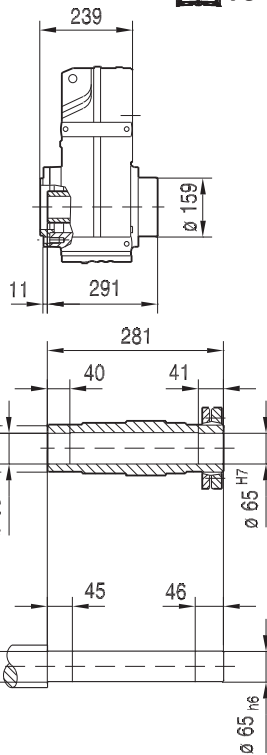


**FAZ87..**

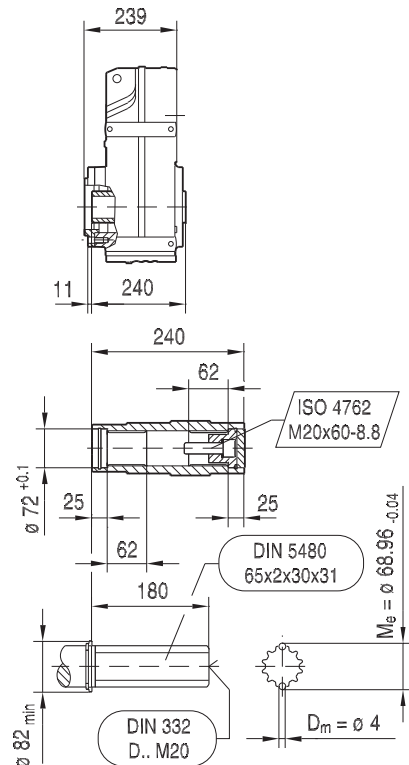


**FHZ87..**

FHZ87/R.. → pg. 120



**FVZ87..**

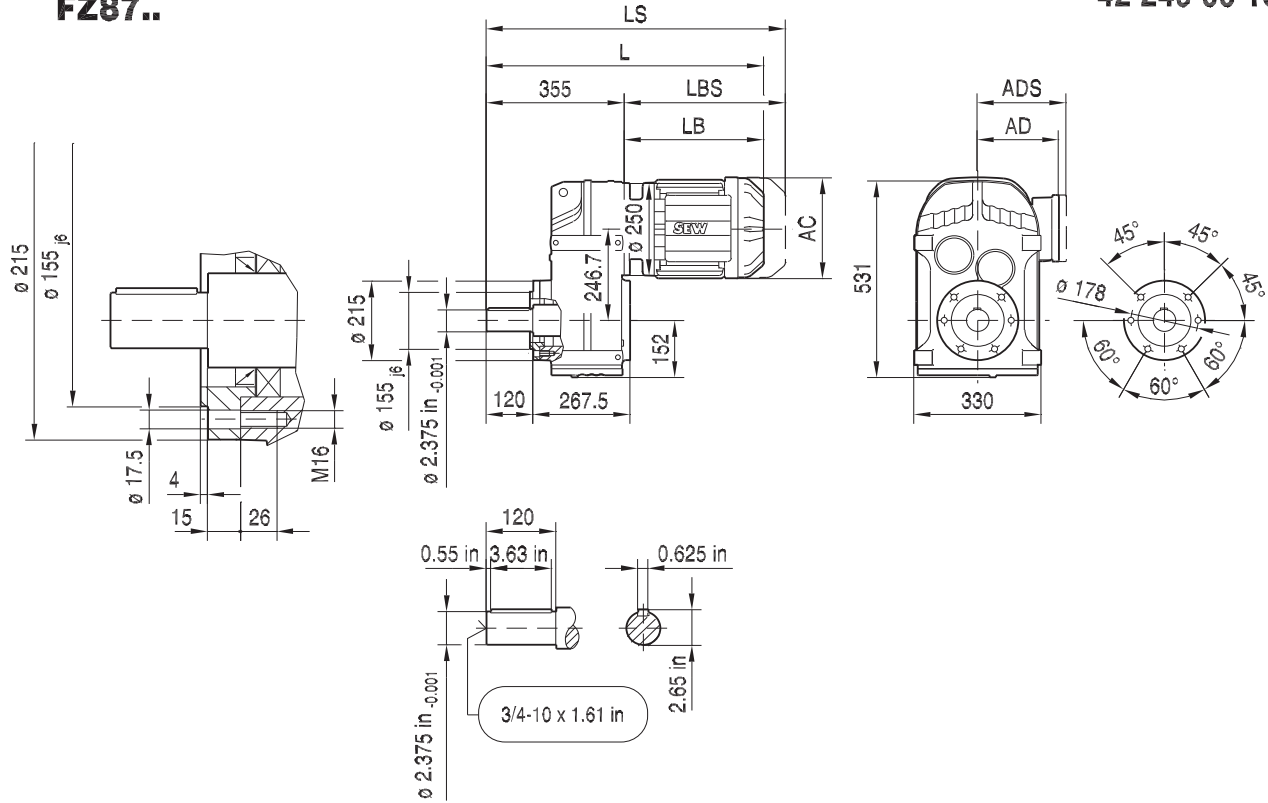


(→ 163)	DRN90S	DRN90L	DRN100L/LM	DRN112M	DRN132S	DRN132M	DRN132L	DRN160	DRN180
AC	179	179	197	221	221	261	261	314	357
AD	140	140	157	170	170	228	228	253	268
ADS	150	150	158	172	172	228	228	253	268
L	504	536	582	613	663	681	707	773	796
LS	597	629	676	725	775	819	844	962	985
LB	265	297	343	374	424	442	468	534	557
LBS	358	390	437	486	536	580	605	723	746

Dimensions in mm unless noted as inch. For all available output shaft diameters, see page 519. For tolerances, see page 163.

FZ87..

42 249 00 16

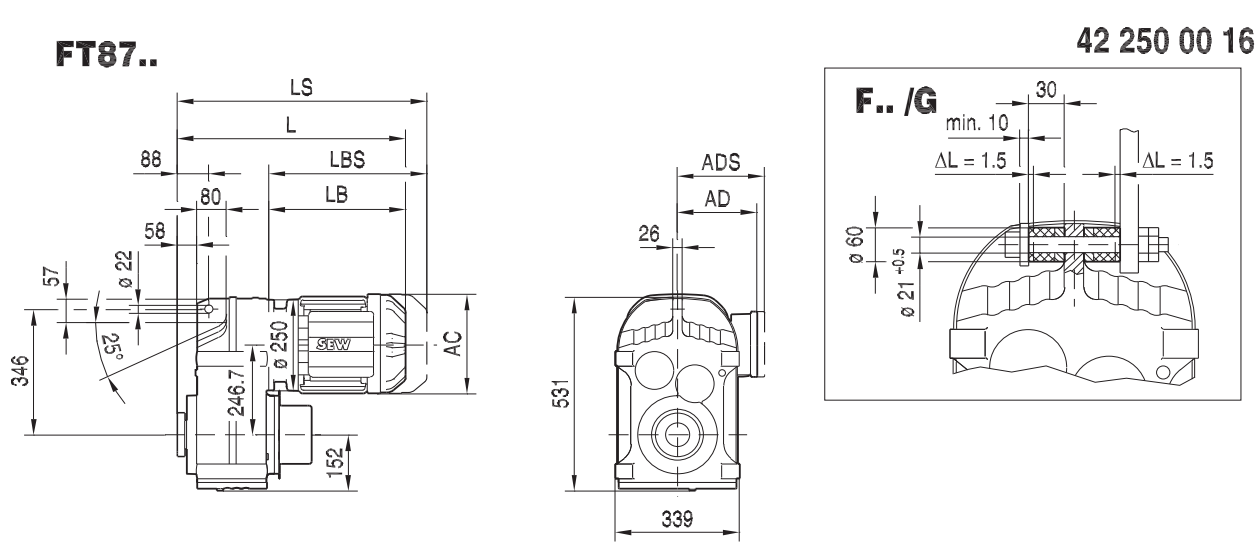


21933480/EN-US - 04/2018

(→ 163)	DRN90S	DRN90L	DRN100L/LM	DRN112M	DRN132S	DRN132M	DRN132L	DRN160	DRN180
AC	179	179	197	221	221	261	261	314	357
AD	140	140	157	170	170	228	228	253	268
ADS	150	150	158	172	172	228	228	253	268
L	620	652	698	729	779	797	823	889	912
LS	713	745	792	841	891	935	960	1078	1101
LB	265	297	343	374	424	442	468	534	557
LBS	358	390	437	486	536	580	605	723	746

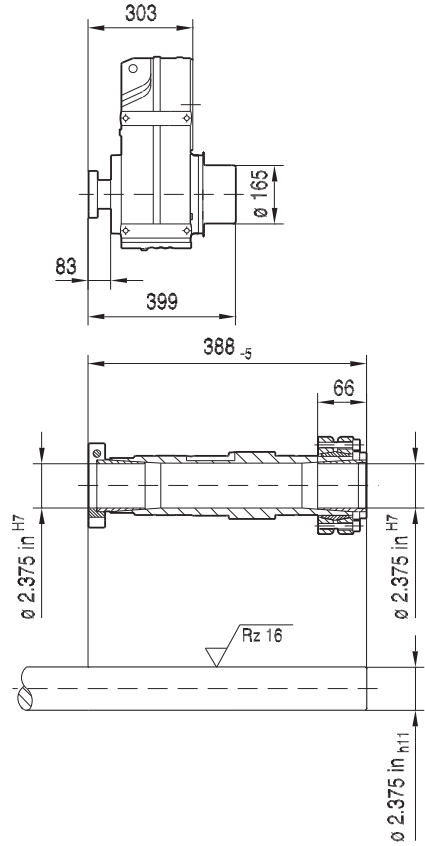
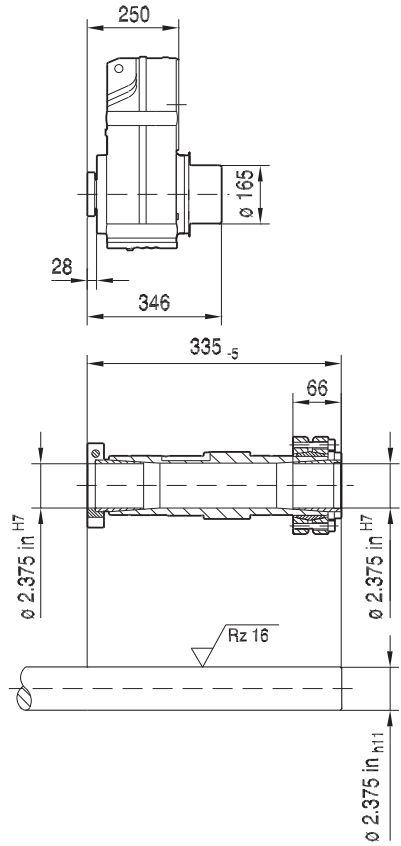
Dimensions in mm unless noted as inch. For all available output shaft diameters, see page 517. For tolerances, see page 163.





**FT87..**  
**NON-Symmetrical**

**FT87B..**  
**Symmetrical**



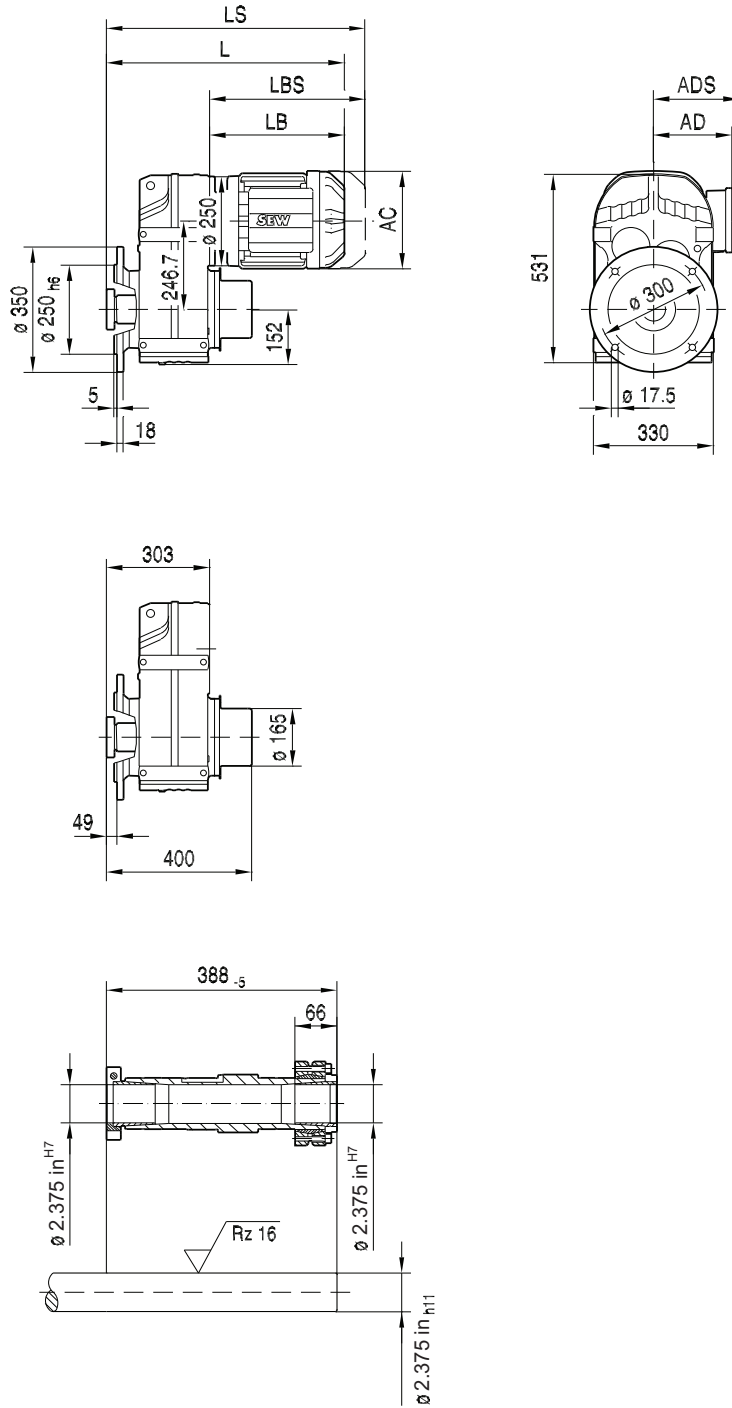
(→ 163)	DRN90S	DRN90L	DRN100L/LM	DRN112M	DRN132S	DRN132M	DRN132L	DRN160	DRN180 <sup>1)</sup>
AC	179	179	197	221	221	261	261	314	357
AD	140	140	157	170	170	228	228	253	268
ADS	150	150	158	172	172	228	228	253	268
L	515	547	593	624	674	692	718	784	807
LS	608	640	687	736	786	830	855	973	996
LB	265	297	343	374	424	442	468	534	557
LBS	358	390	437	486	536	580	605	723	746

<sup>1)</sup> Standard shaft cover not available for this combination.  
Dimensions in mm unless noted as inch. For all available output shaft diameters, see page 521. For tolerances, see page 163.

21933480/EN-US - 04/2018

FTF87..

42 028 03 13 US



9

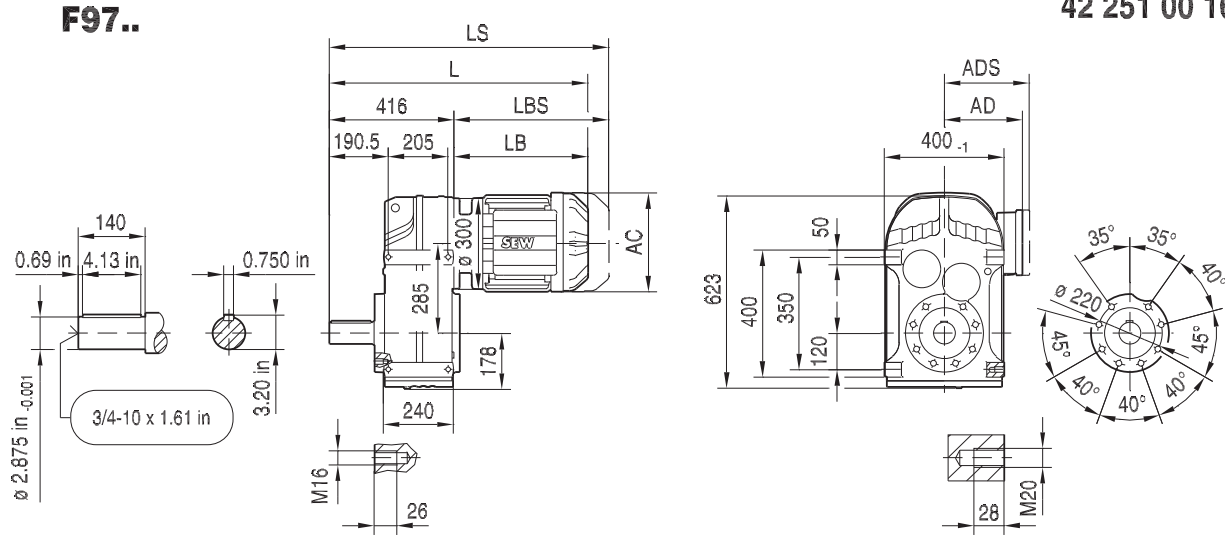
(→ 163)	DRN90S	DRN90L	DRN100L/LM	DRN112M	DRN132S	DRN132M	DRN132L	DRN160	DRN180 <sup>1)</sup>
AC	179	179	197	221	221	261	261	314	357
AD	140	140	157	170	170	228	228	253	268
ADS	150	150	158	172	172	228	228	253	268
L	568	600	646	677	727	745	771	837	860
LS	661	693	740	789	839	883	908	1026	1049
LB	265	297	343	374	424	442	468	534	557
LBS	358	390	437	486	536	580	605	723	746

<sup>1)</sup> Standard shaft cover not available for this combination.

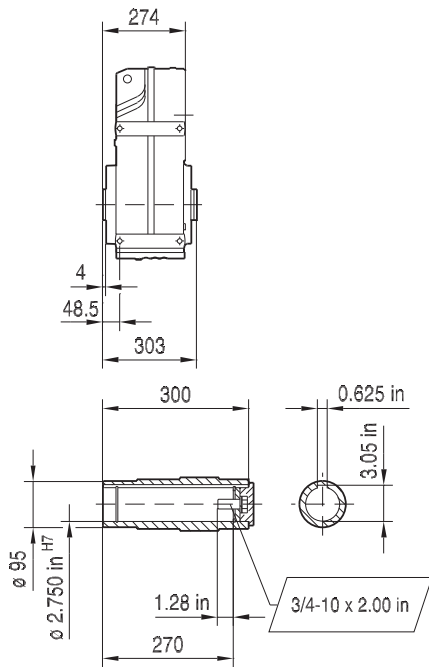
Dimensions in mm unless noted as inch. For all available output shaft diameters, see page 521. For tolerances, see page 163.

21933480/EN-US - 04/2018

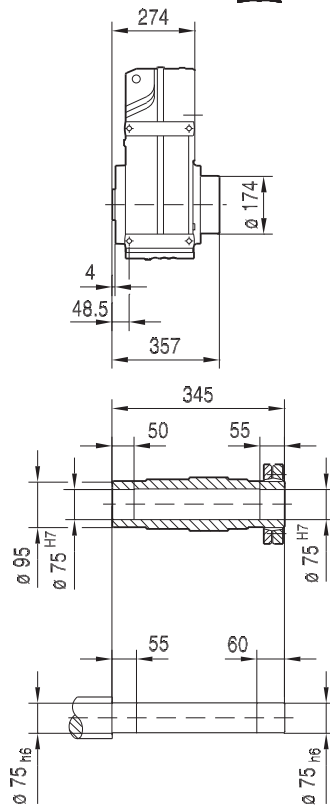
42 251 00 16



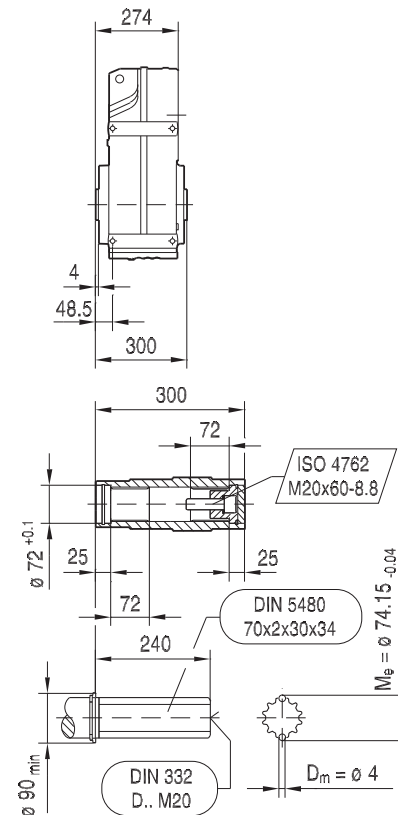
**FA97B..**



**FH97B..**  
FH97B/R.. → pg. 120



**FV97B..**

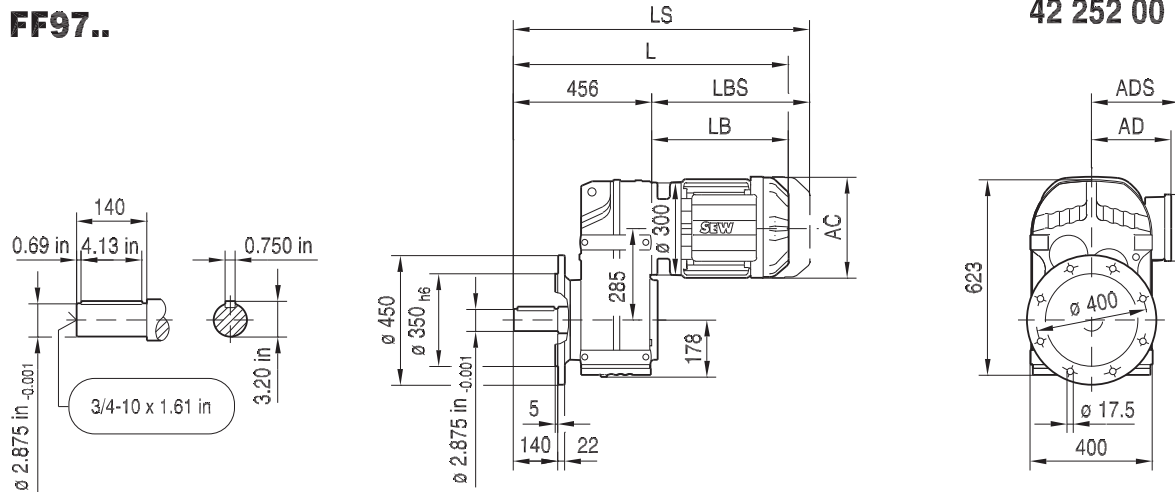


(→ 163)	DRN100L/LM	DRN112M	DRN132S	DRN132M	DRN132L	DRN160	DRN180	DRN200L	DRN225
AC	197	221	221	261	261	314	357	394	434
AD	157	170	170	228	228	253	268	283	305
ADS	158	172	172	228	228	253	268	283	305
L	754	785	835	853	879	945	968	1078	1052
LS	848	897	947	991	1016	1134	1157	1283	1257
LB	338	369	419	437	463	529	552	662	636
LBS	432	481	531	575	600	718	741	867	841

Dimensions in mm unless noted as inch. For all available output shaft diameters, see page 517. For tolerances, see page 163.

**FF97..**

42 252 00 16

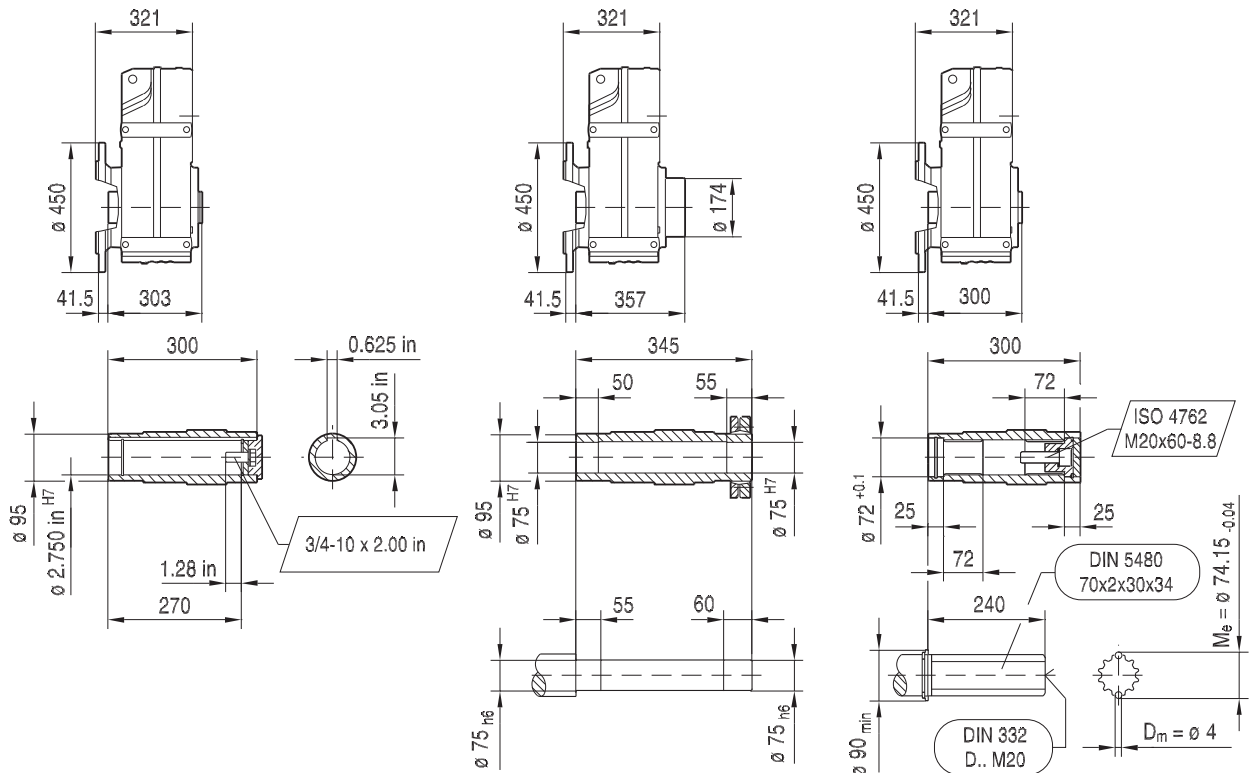


**FAF97..**

**FHF97..**

FHF97/R.. → pg. 120

**FVF97..**

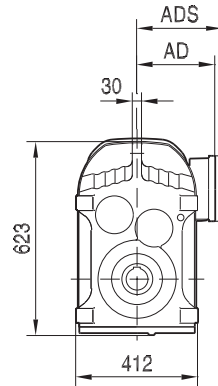
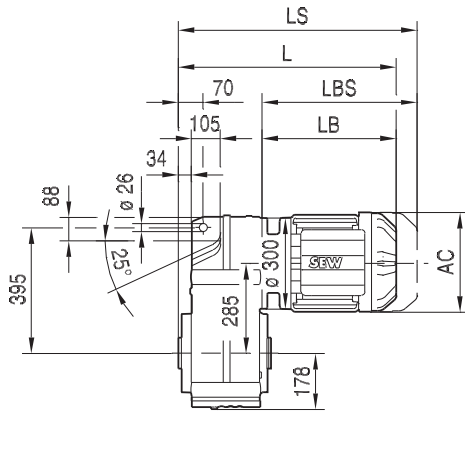


(→ 163)	DRN100L/LM	DRN112M	DRN132S	DRN132M	DRN132L	DRN160	DRN180	DRN200L	DRN225
AC	197	221	221	261	261	314	357	394	434
AD	157	170	170	228	228	253	268	283	305
ADS	158	172	172	228	228	253	268	283	305
L	794	825	875	893	919	985	1008	1118	1092
LS	888	937	987	1031	1056	1174	1197	1323	1297
LB	338	369	419	437	463	529	552	662	636
LBS	432	481	531	575	600	718	741	867	841

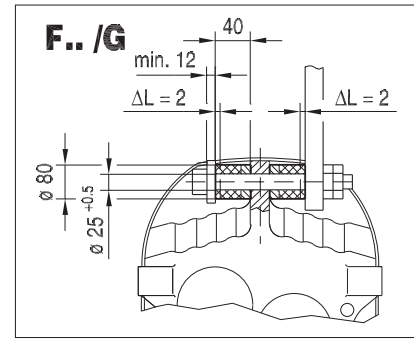
Dimensions in mm unless noted as inch. For all available output shaft diameters, see page 517. For tolerances, see page 163.

21933480/EN-US - 04/2018

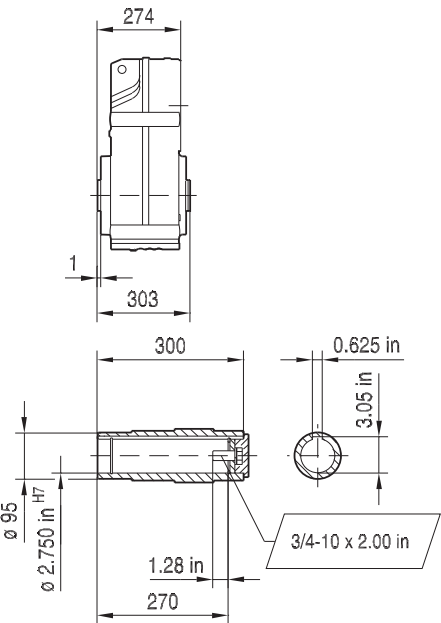
**FA97..**



42 253 00 16

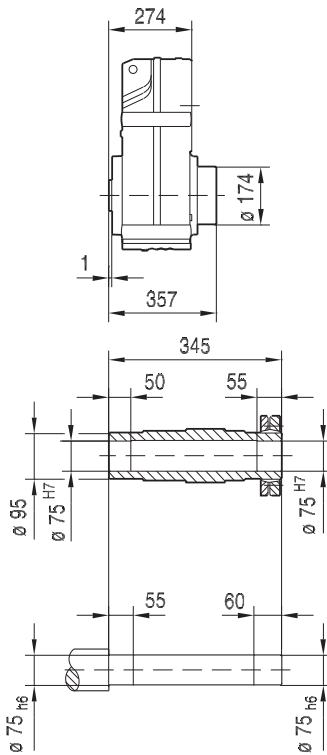


**FA97..**

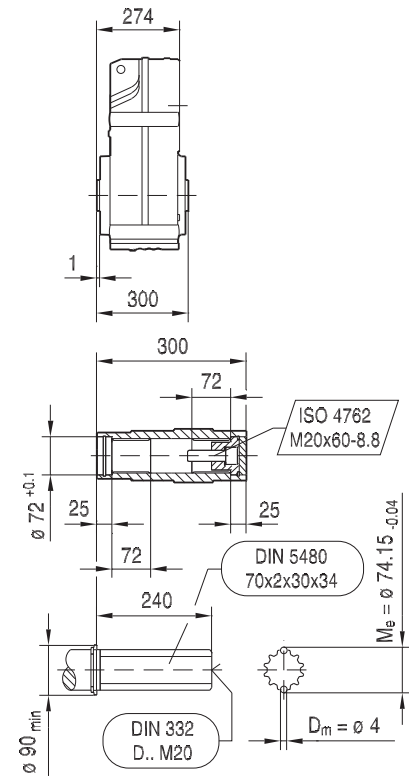


**FH97..**

FH97/R.. → pg. 120



**FV97..**

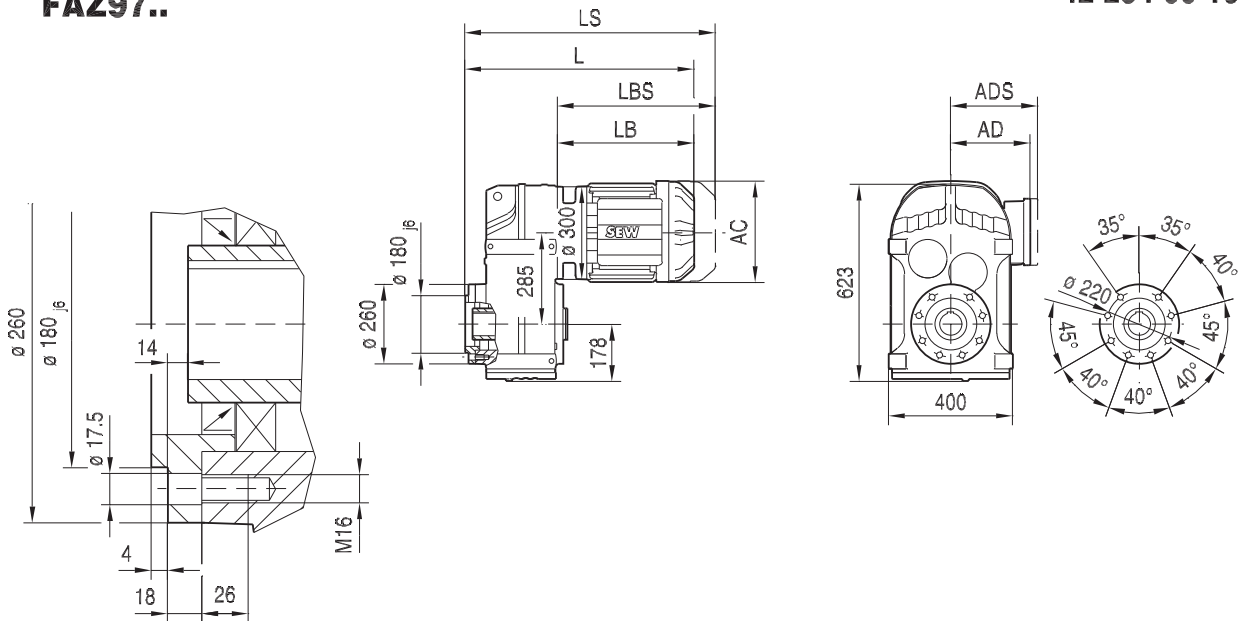


(→ 163)	DRN100L/LM	DRN112M	DRN132S	DRN132M	DRN132L	DRN160	DRN180	DRN200L	DRN225
AC	197	221	221	261	261	314	357	394	434
AD	157	170	170	228	228	253	268	283	305
ADS	158	172	172	228	228	253	268	283	305
L	612	643	693	711	737	803	826	936	910
LS	706	755	805	849	874	992	1015	1141	1115
LB	338	369	419	437	463	529	552	662	636
LBS	432	481	531	575	600	718	741	867	841

Dimensions in mm unless noted as inch. For all available output shaft diameters, see page 519. For tolerances, see page 163.

**FAZ97..**

42 254 00 16

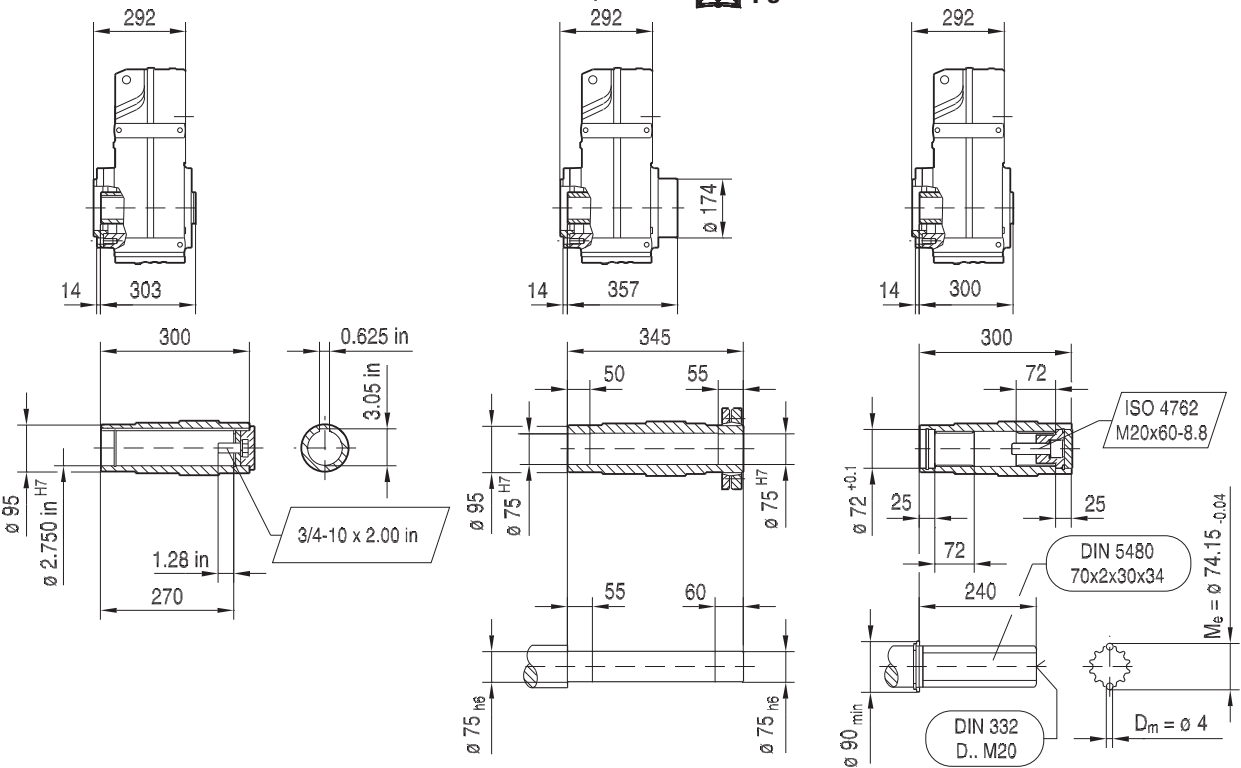


**FAZ97..**

**FHZ97..**

FHZ97/R.. → pg. 120

**FVZ97..**



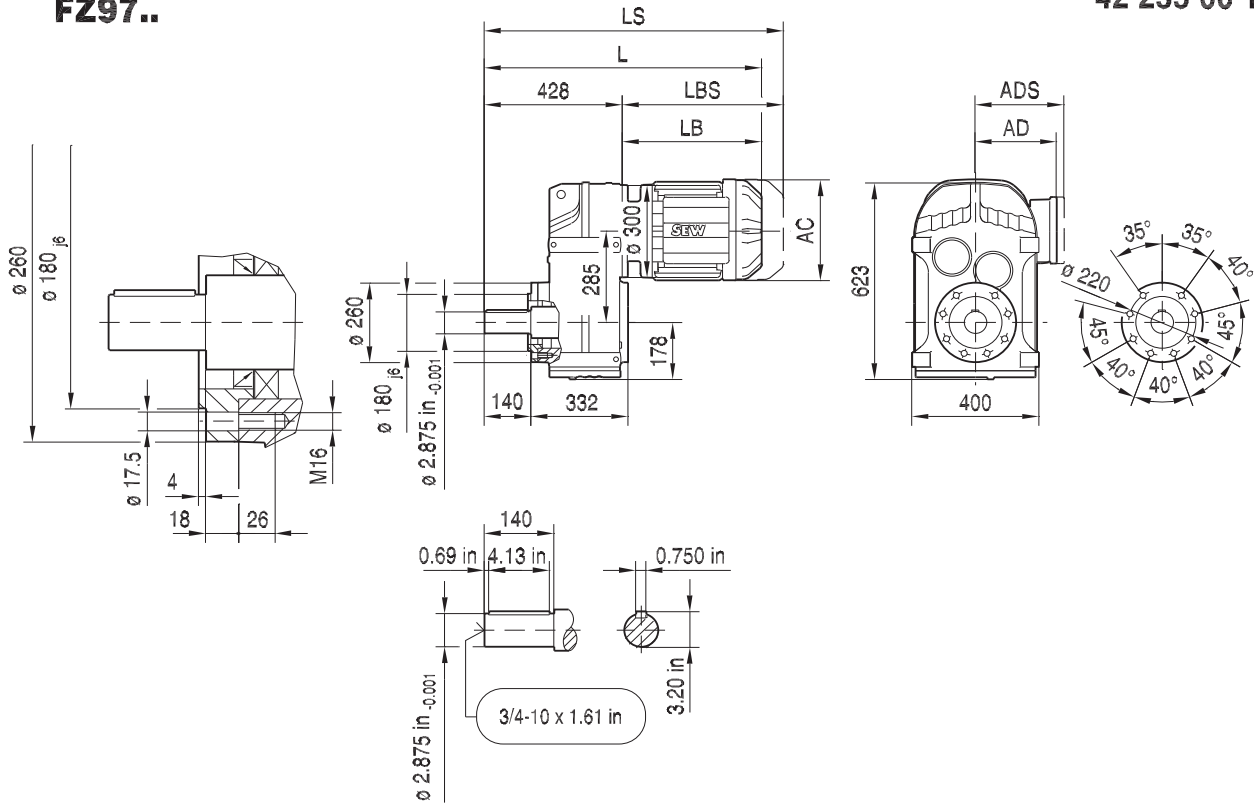
(→ 163)	DRN100L/LM	DRN112M	DRN132S	DRN132M	DRN132L	DRN160	DRN180	DRN200L	DRN225
AC	197	221	221	261	261	314	357	394	434
AD	157	170	170	228	228	253	268	283	305
ADS	158	172	172	228	228	253	268	283	305
L	630	661	711	729	755	821	844	954	928
LS	724	773	823	867	892	1010	1033	1159	1133
LB	338	369	419	437	463	529	552	662	636
LBS	432	481	531	575	600	718	741	867	841

Dimensions in mm unless noted as inch. For all available output shaft diameters, see page 519. For tolerances, see page 163.

21933480/EN-US - 04/2018

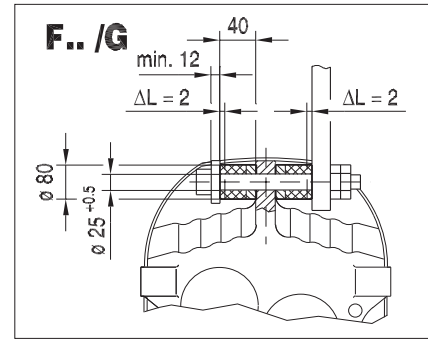
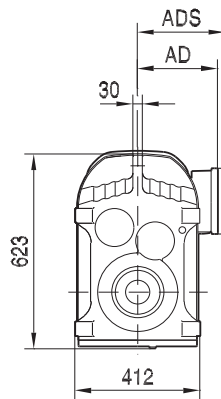
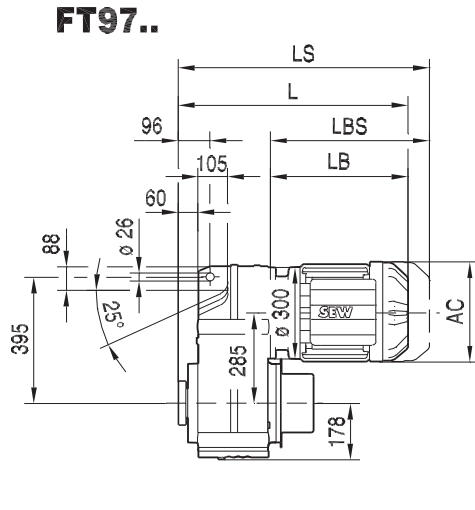
**FZ97..**

**42 255 00 16**



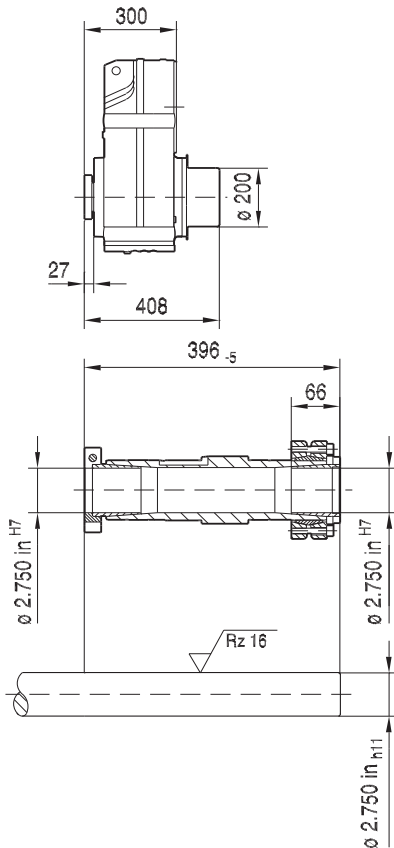
(→ 163)	DRN100L/LM	DRN112M	DRN132S	DRN132M	DRN132L	DRN160	DRN180	DRN200L	DRN225
<b>AC</b>	197	221	221	261	261	314	357	394	434
<b>AD</b>	157	170	170	228	228	253	268	283	305
<b>ADS</b>	158	172	172	228	228	253	268	283	305
<b>L</b>	766	797	847	865	891	957	980	1090	1064
<b>LS</b>	860	909	959	1003	1028	1146	1169	1295	1269
<b>LB</b>	338	369	419	437	463	529	552	662	636
<b>LBS</b>	432	481	531	575	600	718	741	867	841

Dimensions in mm unless noted as inch. For all available output shaft diameters, see page 517. For tolerances, see page 163.

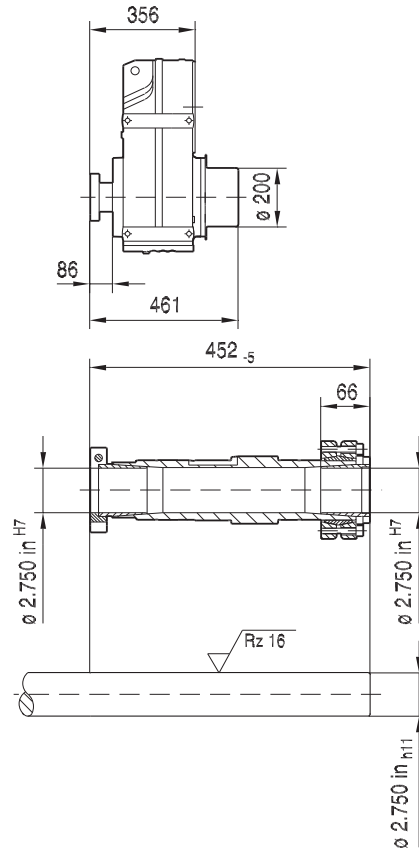


42 256 00 16

**FT97..  
NON-Symmetrical**



**FT97B..  
Symmetrical**



(→ 163)	DRN90L	DRN100L/LM	DRN112M	DRN132S	DRN132M	DRN132L	DRN160	DRN180	DRN200L <sup>1)</sup>
AC	179	197	221	221	261	261	314	357	394
AD	140	157	170	170	228	228	253	268	283
ADS	150	158	172	172	228	228	253	268	283
L	592	638	669	719	737	763	829	852	962
LS	685	732	781	831	875	900	1018	1041	1167
LB	292	338	369	419	437	463	529	552	662
LBS	385	432	481	531	575	600	718	741	867

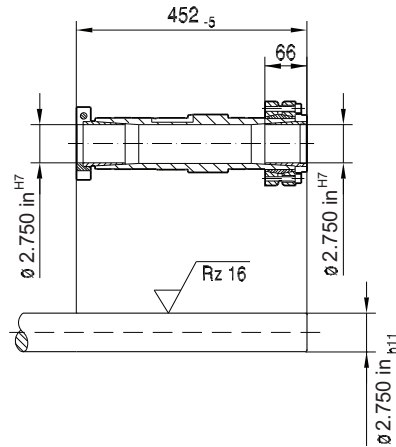
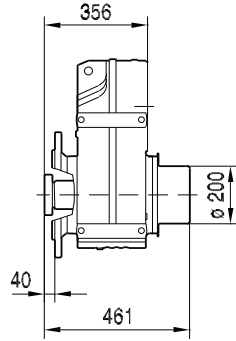
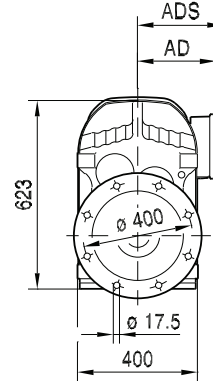
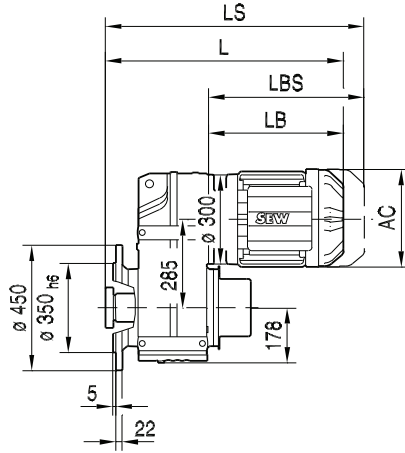
<sup>1)</sup> Combination requires a modified shaft cover. See page 142.

Dimensions in mm unless noted as inch. For all available output shaft diameters, see page 521. For tolerances, see page 163.



## FTF97..

42 029 03 13 US



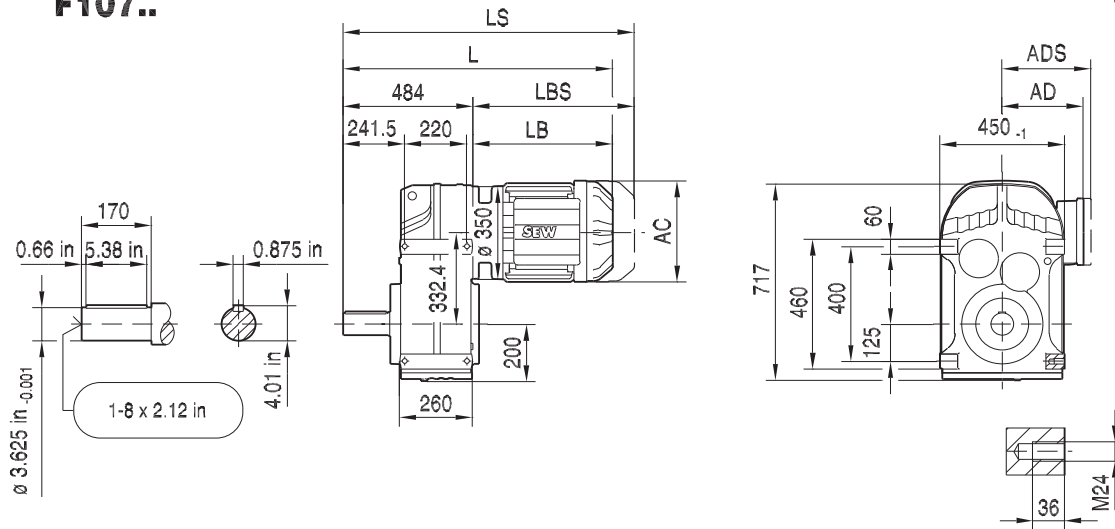
(→ 163)	DRN90L	DRN100L/LM	DRN112M	DRN132S	DRN132M	DRN132L	DRN160	DRN180	DRN200L <sup>1)</sup>
AC	179	197	221	221	261	261	314	357	394
AD	140	157	170	170	228	228	253	268	283
ADS	150	158	172	172	228	228	253	268	283
L	648	694	725	775	793	819	885	908	1018
LS	741	788	837	887	931	956	1074	1097	1223
LB	292	338	369	419	437	463	529	552	662
LBS	385	432	481	531	575	600	718	741	867

<sup>1)</sup> Combination requires a modified shaft cover. See page 142.

Dimensions in mm unless noted as inch. For all available output shaft diameters, see page 521. For tolerances, see page 163.

**F107..**

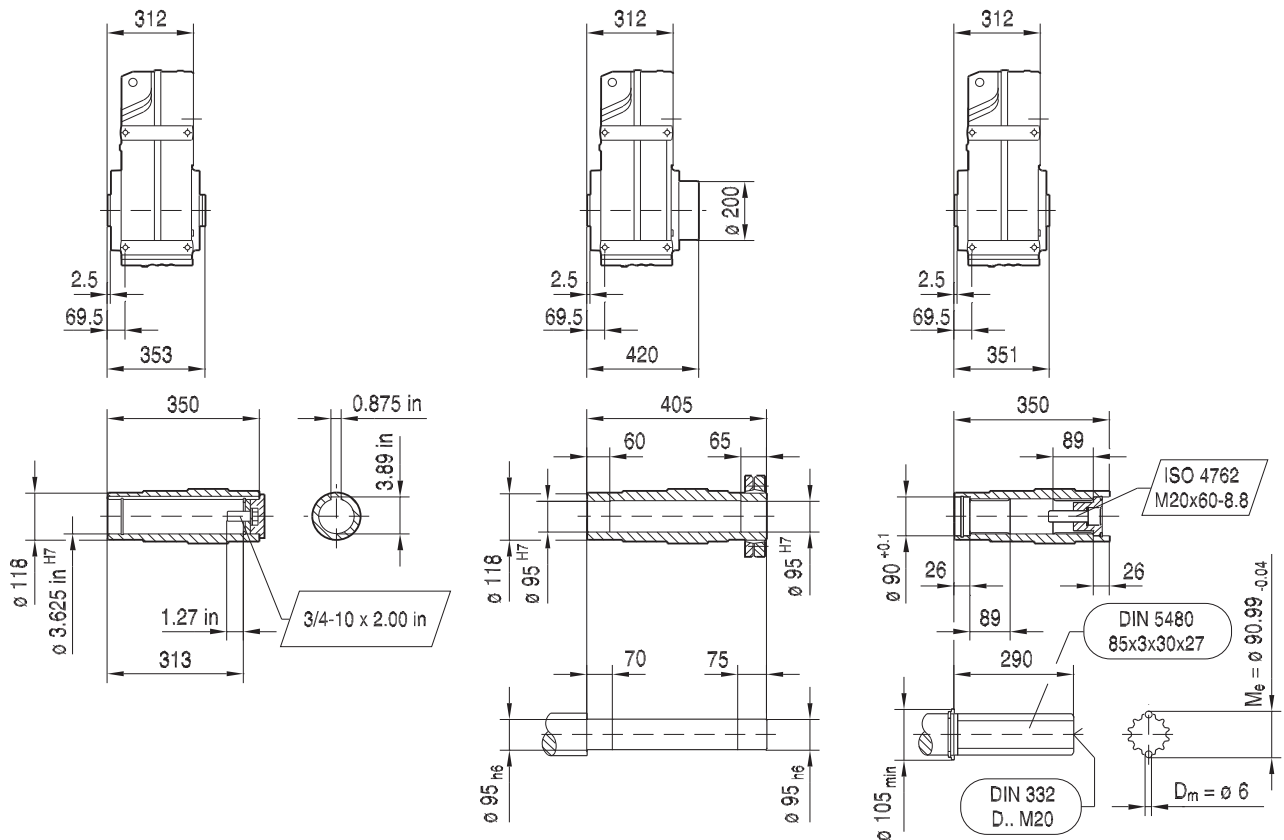
42 257 00 16



**FA107B..**

**FH107B..**

**FV107B..**

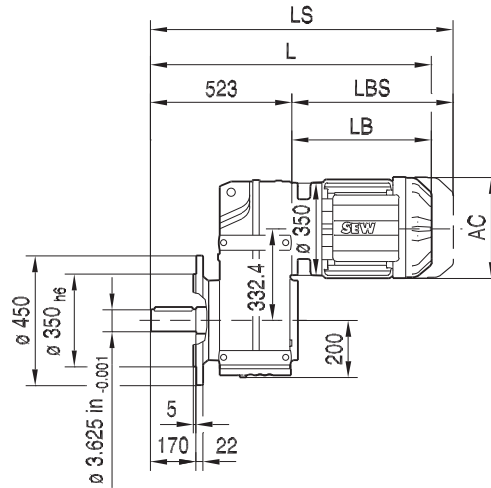
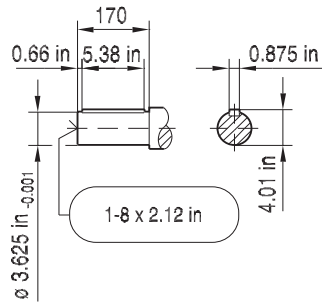


(→ 163)	DRN100L/LM	DRN112M	DRN132S	DRN132M	DRN132L	DRN160	DRN180	DRN200L	DRN225
AC	197	221	221	261	261	314	357	394	434
AD	157	170	170	228	228	253	268	283	305
ADS	158	172	172	228	228	253	268	283	305
L	816	847	897	915	941	1007	1030	1140	1114
LS	910	959	1009	1053	1078	1196	1219	1345	1319
LB	332	363	413	431	457	523	546	656	630
LBS	426	475	525	569	594	712	735	861	835

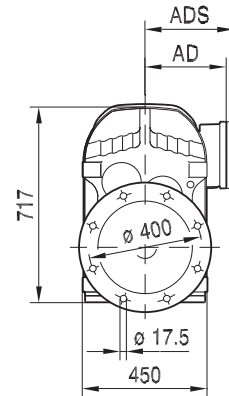
Dimensions in mm unless noted as inch. For all available output shaft diameters, see page 517. For tolerances, see page 163.

21933480/EN-US - 04/2018

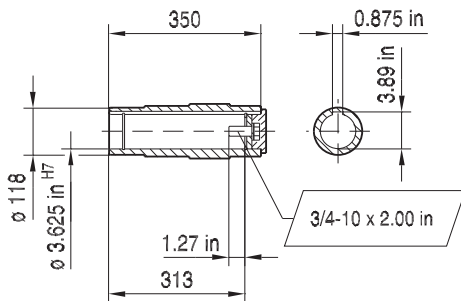
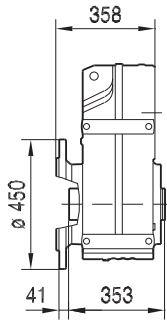
**FF107..**



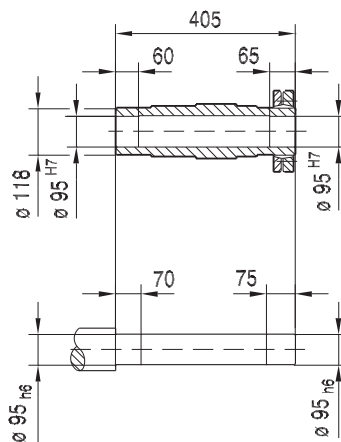
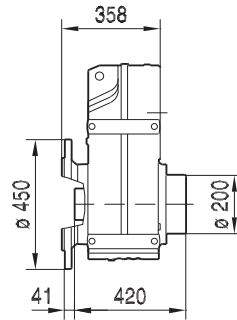
**42 258 00 16**



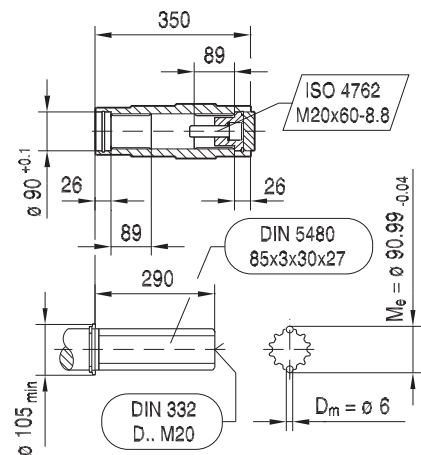
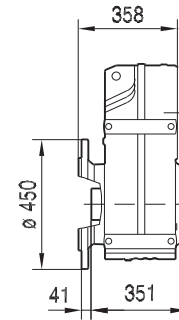
**FAF107..**



**FHF107..**



**FVF107..**



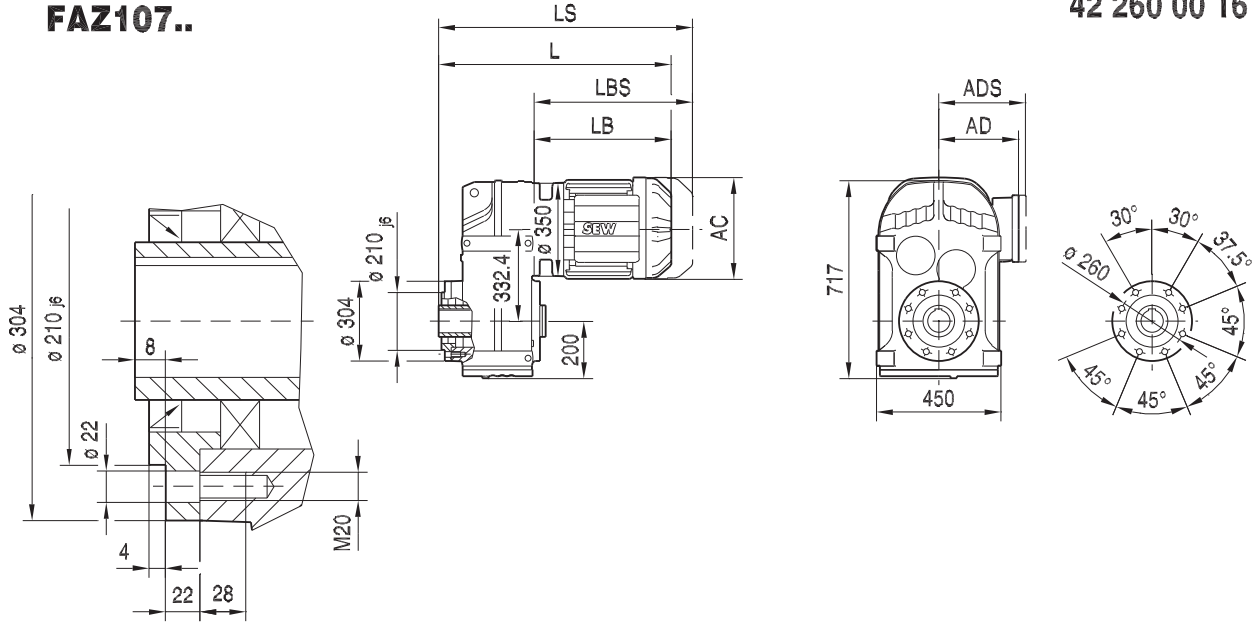
(→ 163)	DRN100L/LM	DRN112M	DRN132S	DRN132M	DRN132L	DRN160	DRN180	DRN200L	DRN225
AC	197	221	221	261	261	314	357	394	434
AD	157	170	170	228	228	253	268	283	305
ADS	158	172	172	228	228	253	268	283	305
L	855	886	936	954	980	1046	1069	1179	1153
LS	949	998	1048	1092	1117	1235	1258	1384	1358
LB	332	363	413	431	457	523	546	656	630
LBS	426	475	525	569	594	712	735	861	835

Dimensions in mm unless noted as inch. For all available output shaft diameters, see page 517. For tolerances, see page 163.

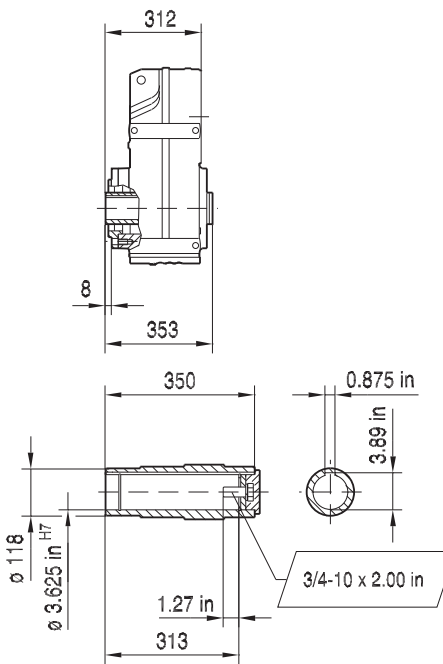


42 260 00 16

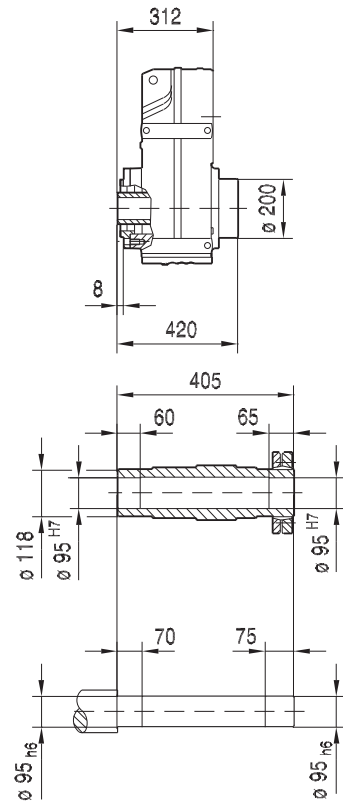
**FAZ107..**



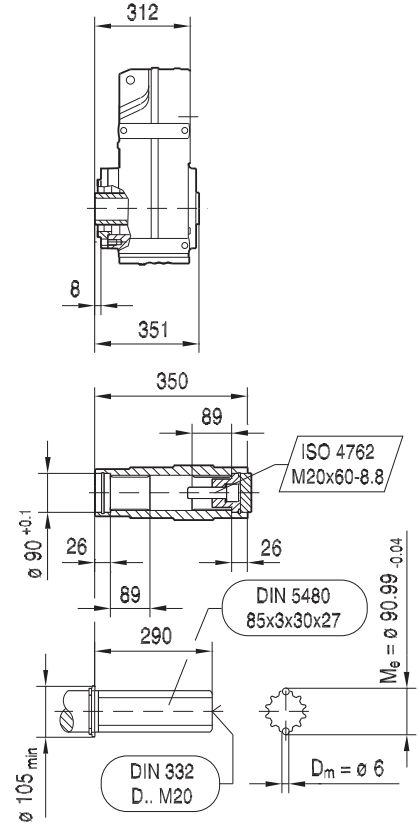
**FAZ107..**



**FHZ107..**



**FVZ107..**



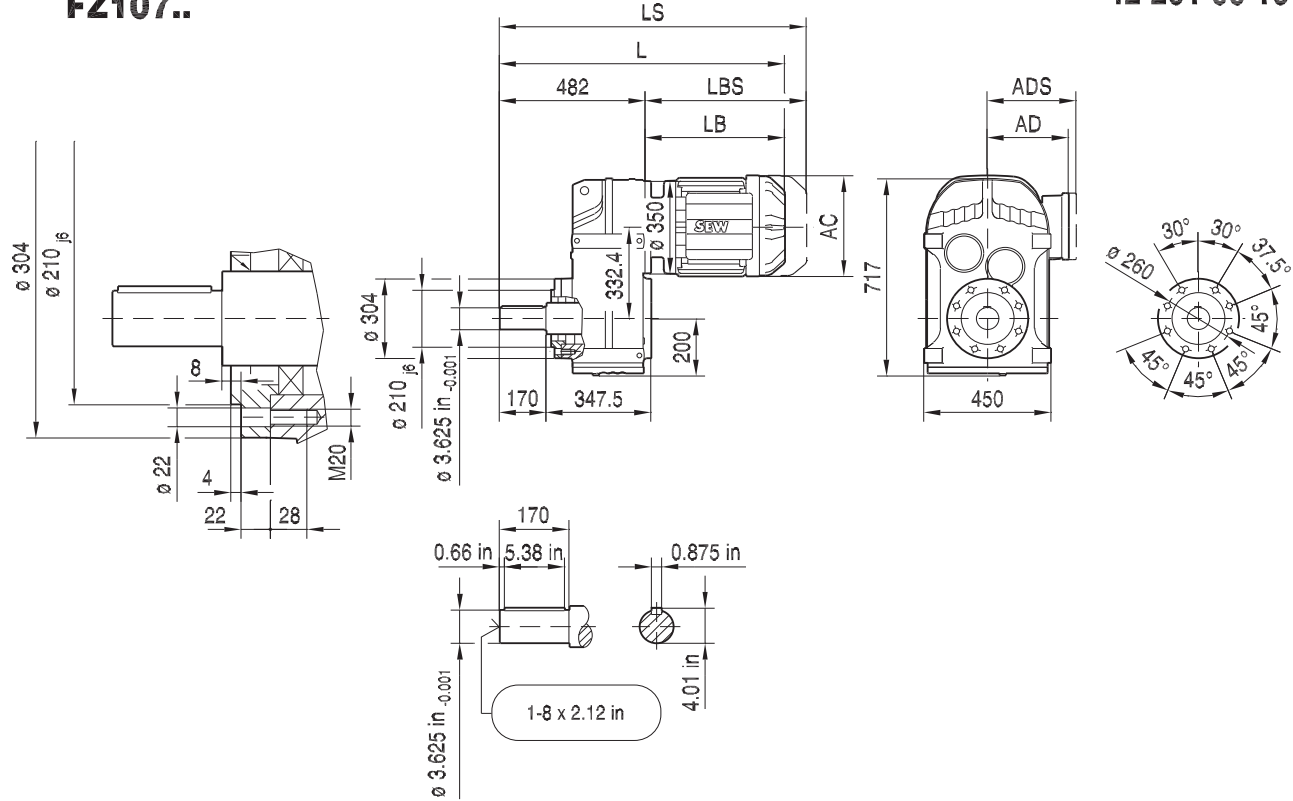
(→ 163)	DRN100L/LM	DRN112M	DRN132S	DRN132M	DRN132L	DRN160	DRN180	DRN200L	DRN225
AC	197	221	221	261	261	314	357	394	434
AD	157	170	170	228	228	253	268	283	305
ADS	158	172	172	228	228	253	268	283	305
L	644	675	725	743	769	835	858	968	942
LS	738	787	837	881	906	1024	1047	1173	1147
LB	332	363	413	431	457	523	546	656	630
LBS	426	475	525	569	594	712	735	861	835

Dimensions in mm unless noted as inch. For all available output shaft diameters, see page 519. For tolerances, see page 163.

21933480/EN-US - 04/2018

FZ107..

42 261 00 16

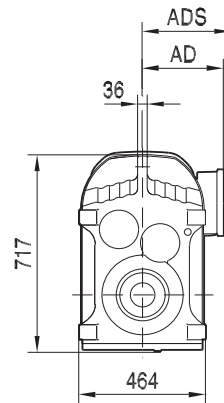
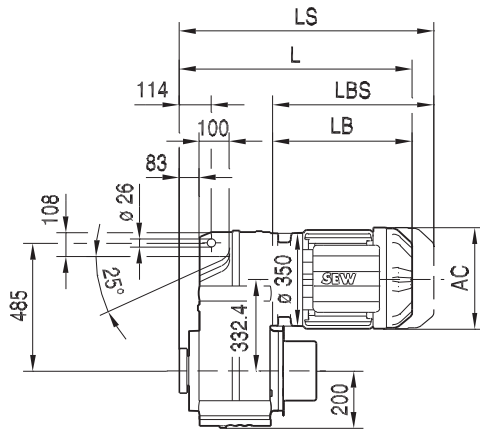


21933480/EN-US - 04/2018

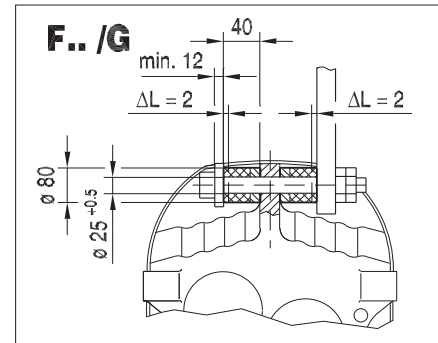
(→ 163)	DRN100L/LM	DRN112M	DRN132S	DRN132M	DRN132L	DRN160	DRN180	DRN200L	DRN225
AC	197	221	221	261	261	314	357	394	434
AD	157	170	170	228	228	253	268	283	305
ADS	158	172	172	228	228	253	268	283	305
L	814	845	895	913	939	1005	1028	1138	1112
LS	908	957	1007	1051	1076	1194	1217	1343	1317
LB	332	363	413	431	457	523	546	656	630
LBS	426	475	525	569	594	712	735	861	835

Dimensions in mm unless noted as inch. For all available output shaft diameters, see page 517. For tolerances, see page 163.

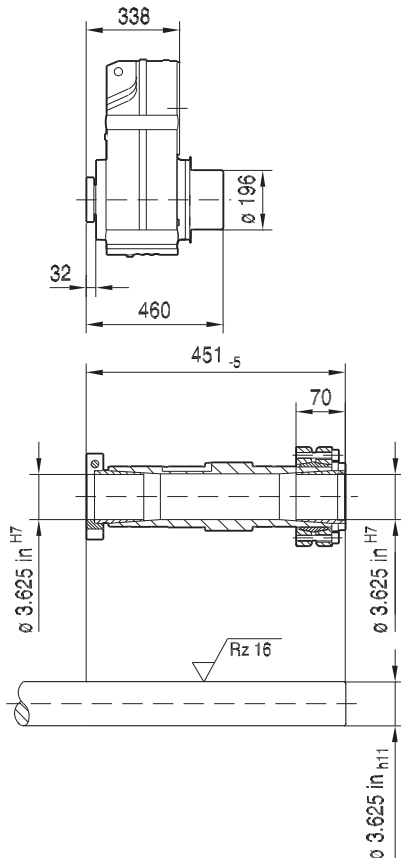
**FT107..**



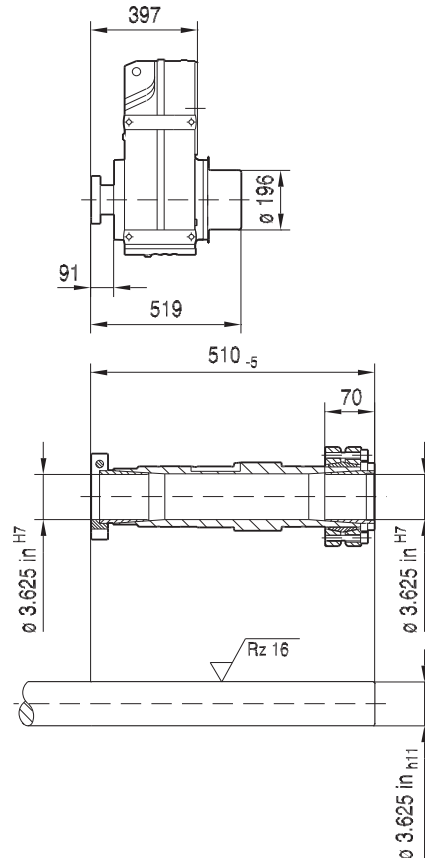
42 262 00 16



**FT107..**  
**NON-Symmetrical**



**FT107B..**  
**Symmetrical**



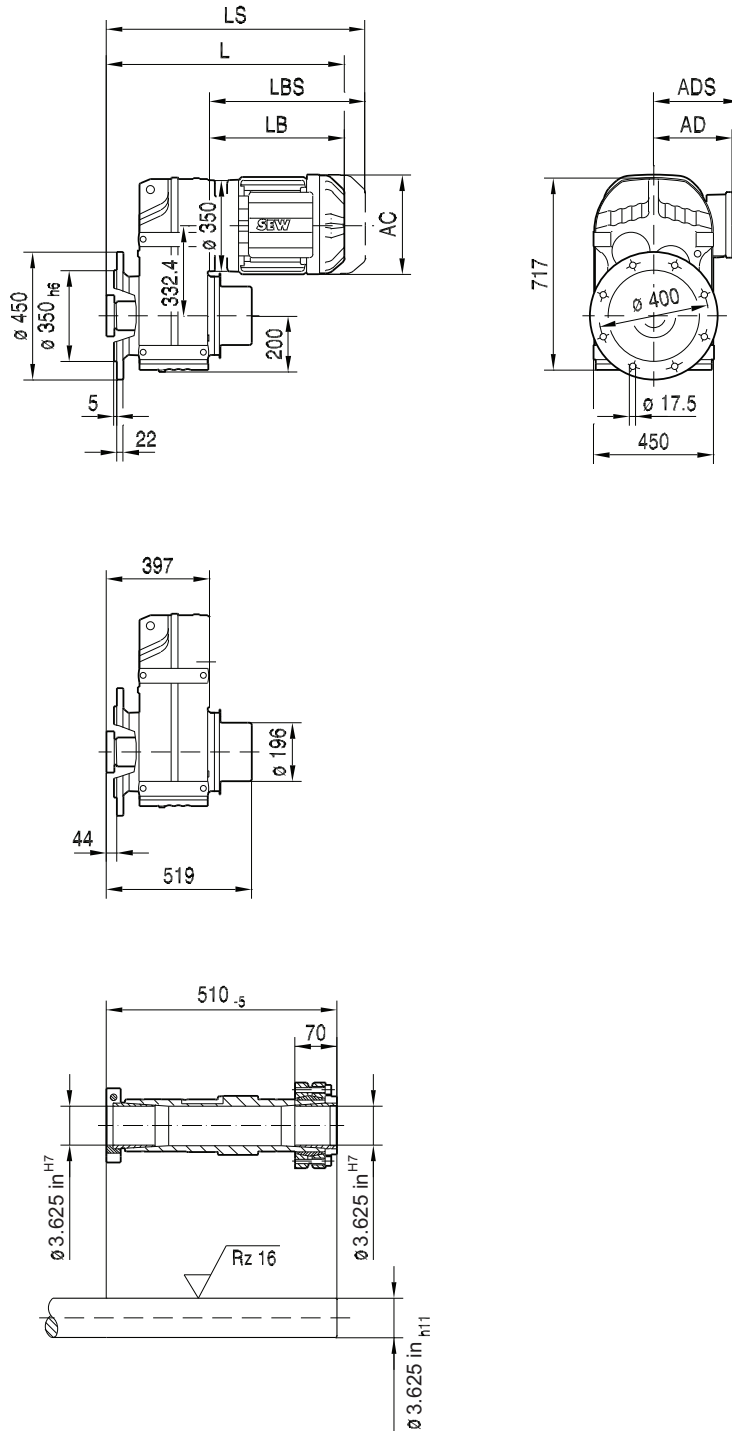
(→ 163)	DRN100L/LM	DRN112M	DRN132S	DRN132M	DRN132L	DRN160	DRN180	DRN200L	DRN225
AC	197	221	221	261	261	314	357	394	434
AD	157	170	170	228	228	253	268	283	305
ADS	158	172	172	228	228	253	268	283	305
L	670	701	751	769	795	861	884	994	968
LS	764	813	863	907	932	1050	1073	1199	1173
LB	332	363	413	431	457	523	546	656	630
LBS	426	475	525	569	594	712	735	861	835

Dimensions in mm unless noted as inch. For all available output shaft diameters, see page 521. For tolerances, see page 163.

21933480/EN-US - 04/2018

FTF107..

42 030 03 13 US



9

21933480/EN-US - 04/2018

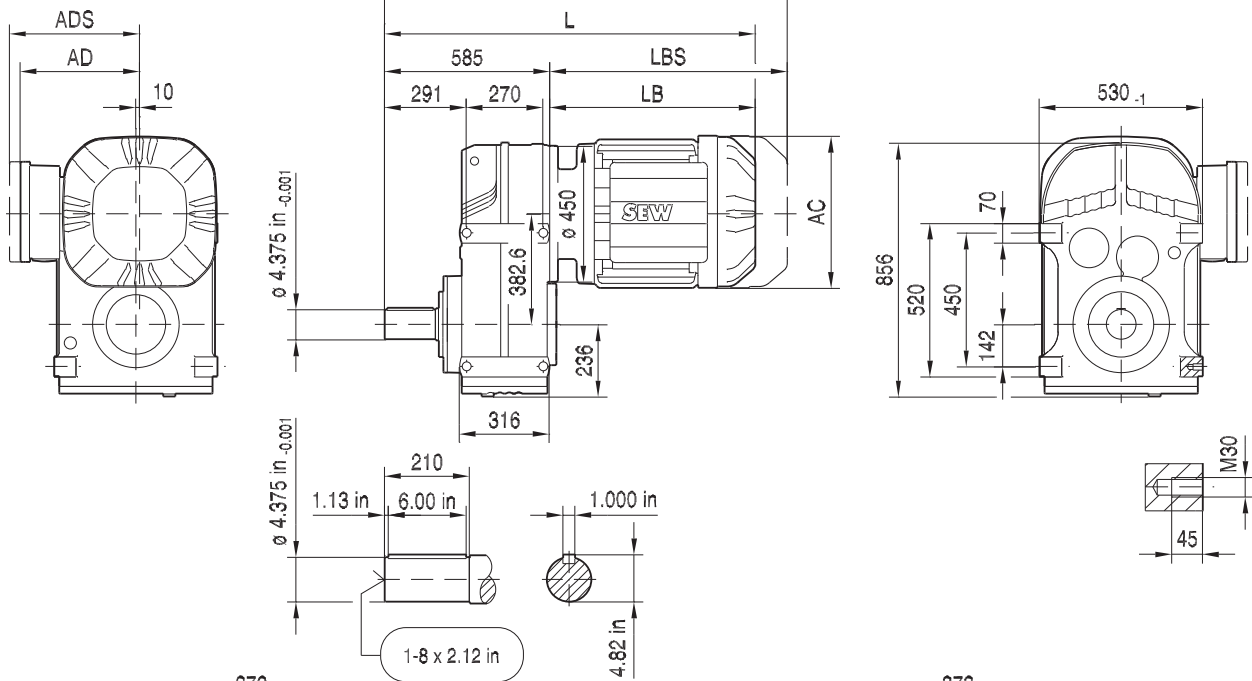
(→ 163)	DRN100L/LM	DRN112M	DRN132S	DRN132M	DRN132L	DRN160	DRN180	DRN200L	DRN225
AC	197	221	221	261	261	314	357	394	434
AD	157	170	170	228	228	253	268	283	305
ADS	158	172	172	228	228	253	268	283	305
L	729	760	810	828	854	920	943	1053	1027
LS	823	872	922	966	991	1109	1132	1258	1232
LB	332	363	413	431	457	523	546	656	630
LBS	426	475	525	569	594	712	735	861	835

Dimensions in mm unless noted as inch. For all available output shaft diameters, see page 521. For tolerances, see page 163.

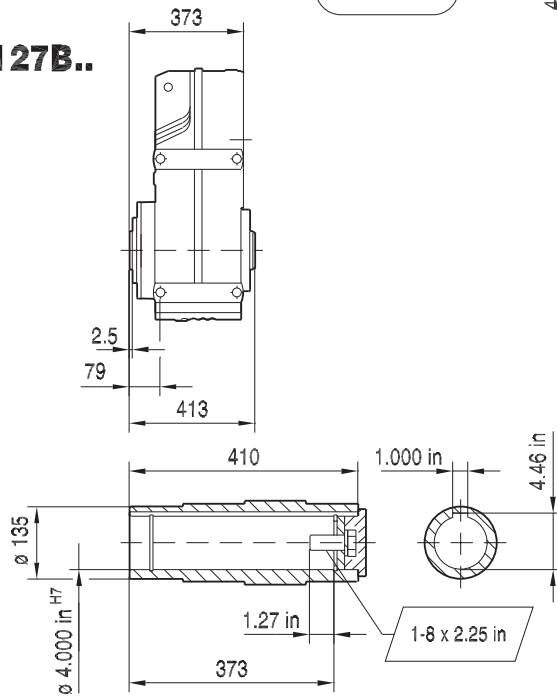


42 263 00 16

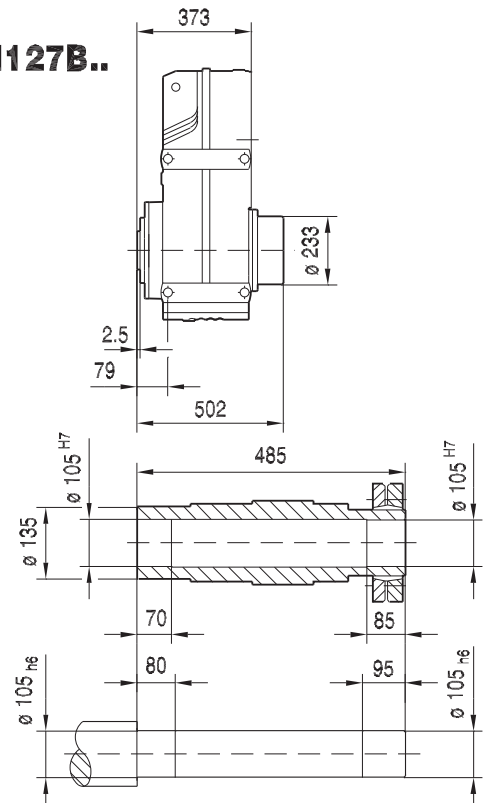
**F127..**



**FA127B..**



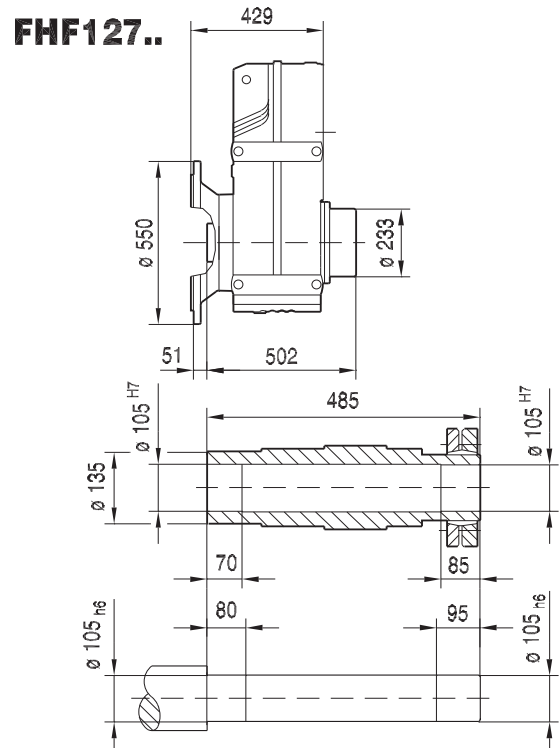
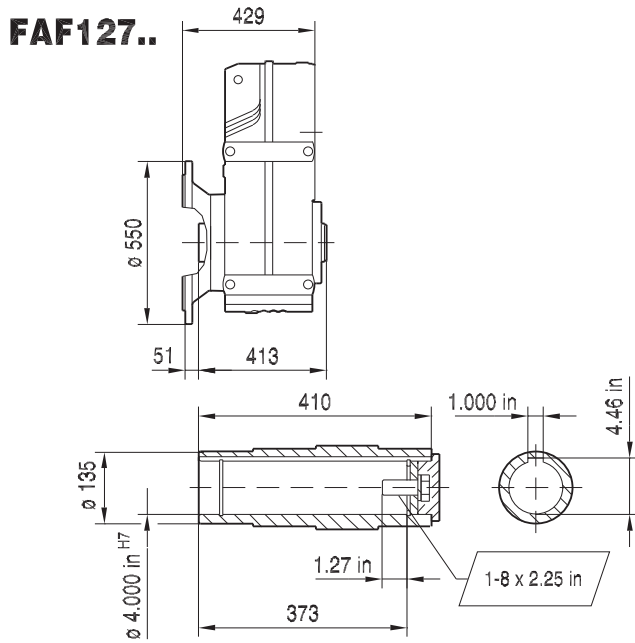
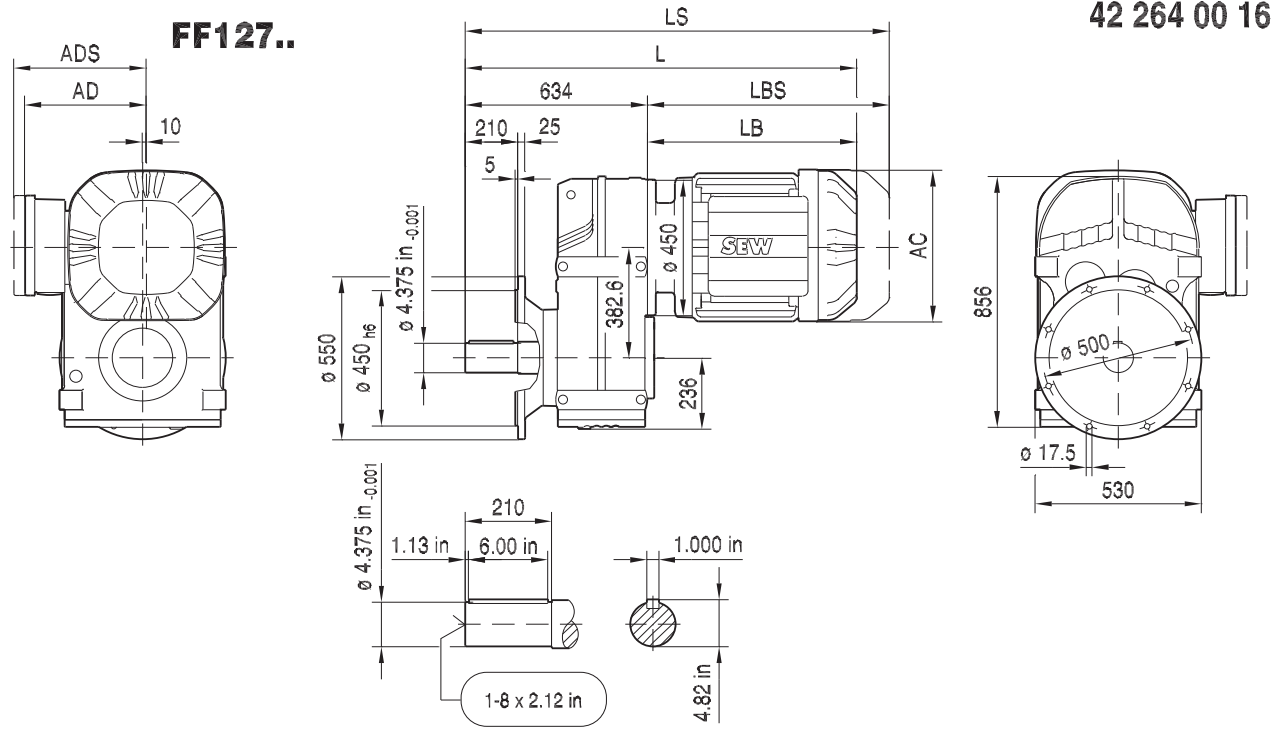
**FH127B..**



(→ 163)	DRN132S	DRN132M	DRN132L	DRN160	DRN180	DRN200L	DRN225	DRN250M	DRN280S	DRN280M
AC	221	261	261	314	357	394	434	495	495	495
AD	170	228	228	253	268	283	305	394	394	394
ADS	172	228	228	253	268	283	305	394	394	394
L	983	1001	1027	1093	1116	1226	1200	1337	1337	1432
LS	1095	1139	1164	1282	1305	1431	1405	1577	1577	1672
LB	398	416	442	508	531	641	615	752	752	847
LBS	510	554	579	697	720	846	820	992	992	1087

Dimensions in mm unless noted as inch. For all available output shaft diameters, see page 517. For tolerances, see page 163.

21933480/EN-US - 04/2018



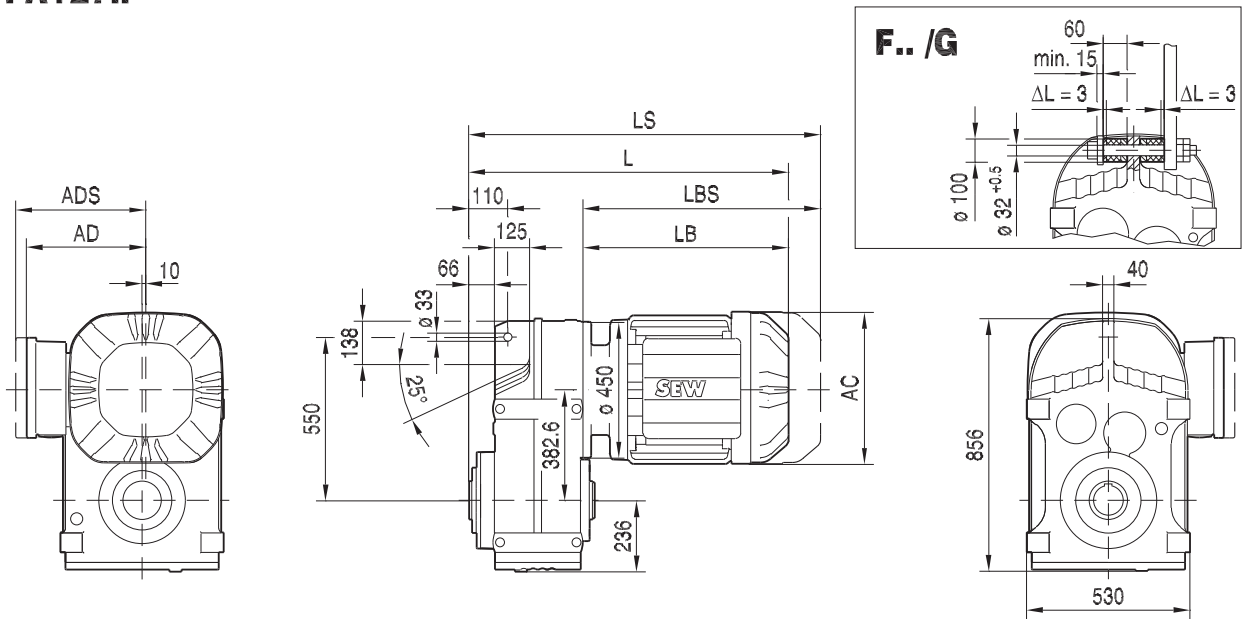
(→ 163)	DRN132S	DRN132M	DRN132L	DRN160	DRN180	DRN200L	DRN225	DRN250M	DRN280S	DRN280M
AC	221	261	261	314	357	394	434	495	495	495
AD	170	228	228	253	268	283	305	394	394	394
ADS	172	228	228	253	268	283	305	394	394	394
L	1032	1050	1076	1142	1165	1275	1249	1386	1386	1481
LS	1144	1188	1213	1331	1354	1480	1454	1626	1626	1721
LB	398	416	442	508	531	641	615	752	752	847
LBS	510	554	579	697	720	846	820	992	992	1087

Dimensions in mm unless noted as inch. For all available output shaft diameters, see page 517. For tolerances, see page 163.

21933480/EN-US - 04/2018

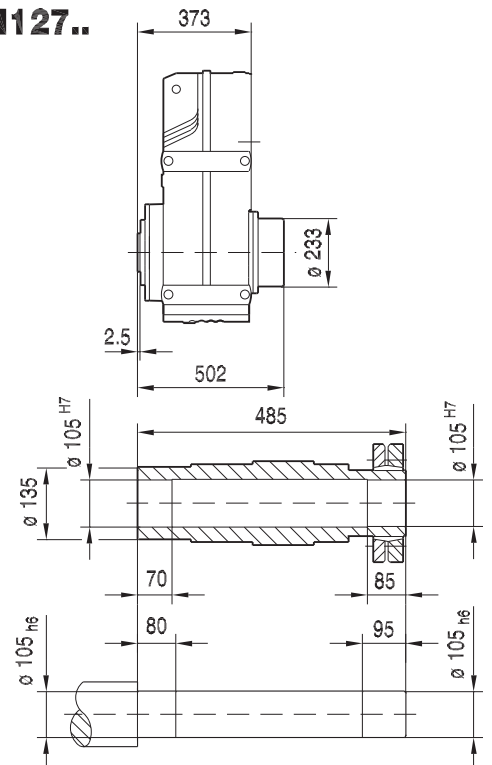
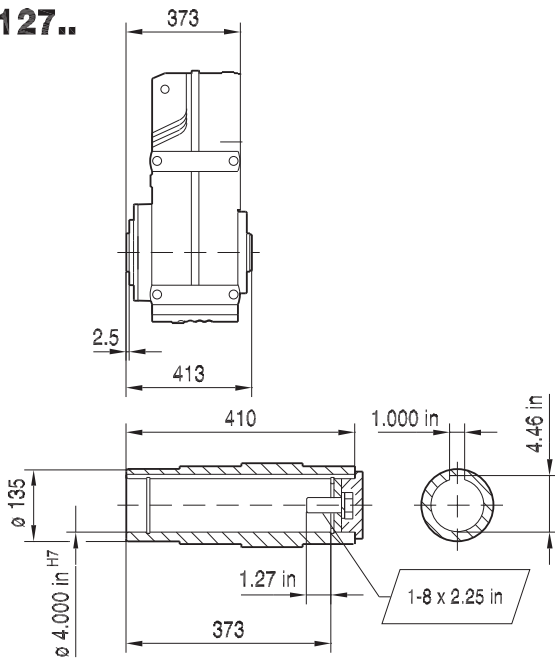
**FA127..**

42 265 00 16



**FA127..**

**FH127..**



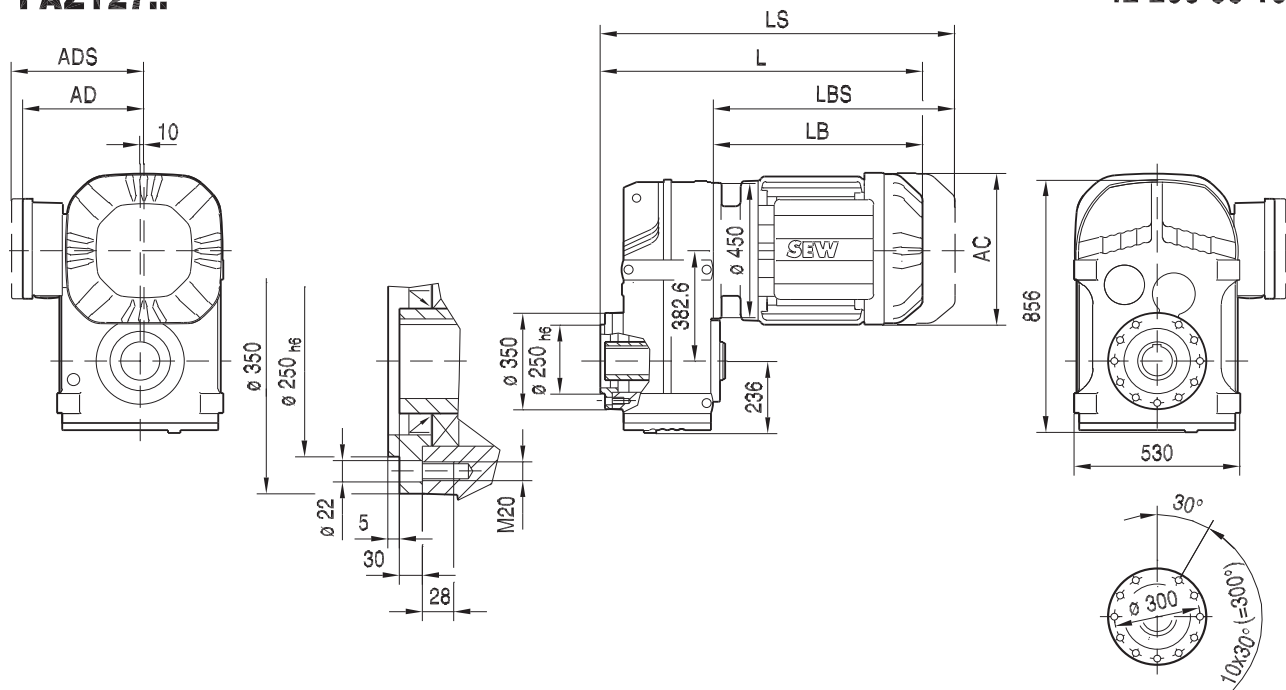
(→ 163)	DRN132S	DRN132M	DRN132L	DRN160	DRN180	DRN200L	DRN225	DRN250M	DRN280S	DRN280M
AC	221	261	261	314	357	394	434	495	495	495
AD	170	228	228	253	268	283	305	394	394	394
ADS	172	228	228	253	268	283	305	394	394	394
L	771	789	815	881	904	1014	988	1125	1125	1220
LS	883	927	952	1070	1093	1219	1193	1365	1365	1460
LB	398	416	442	508	531	641	615	752	752	847
LBS	510	554	579	697	720	846	820	992	992	1087

Dimensions in mm unless noted as inch. For all available output shaft diameters, see page 519. For tolerances, see page 163.

21933480/EN-US - 04/2018

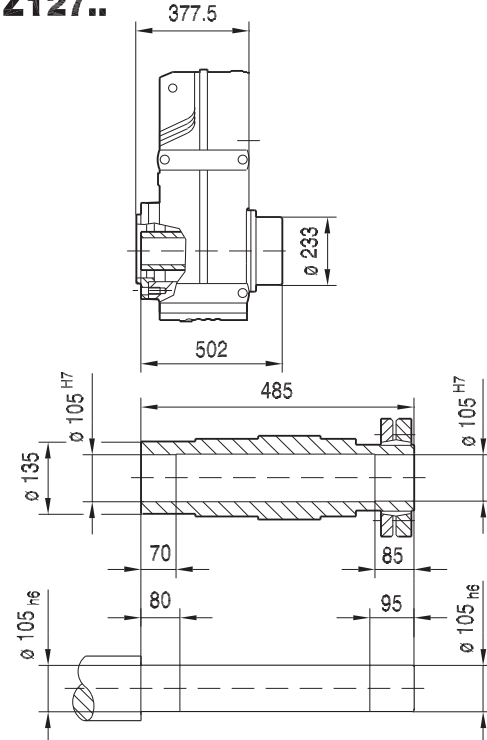
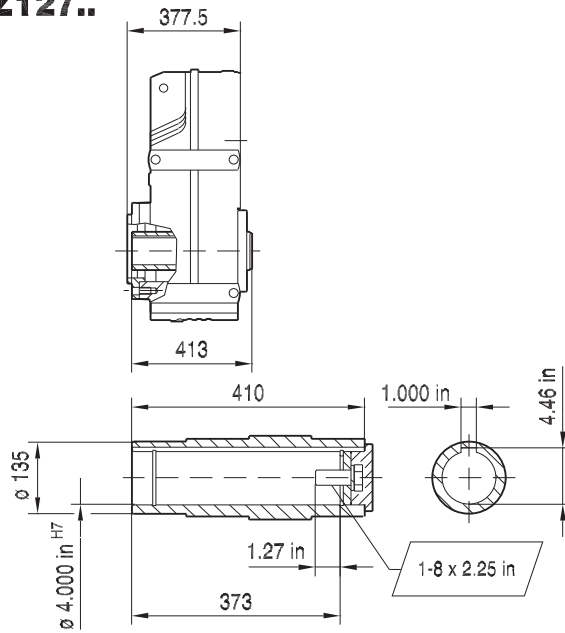
**FAZ127..**

42 266 00 16



**FAZ127..**

**FHZ127..**



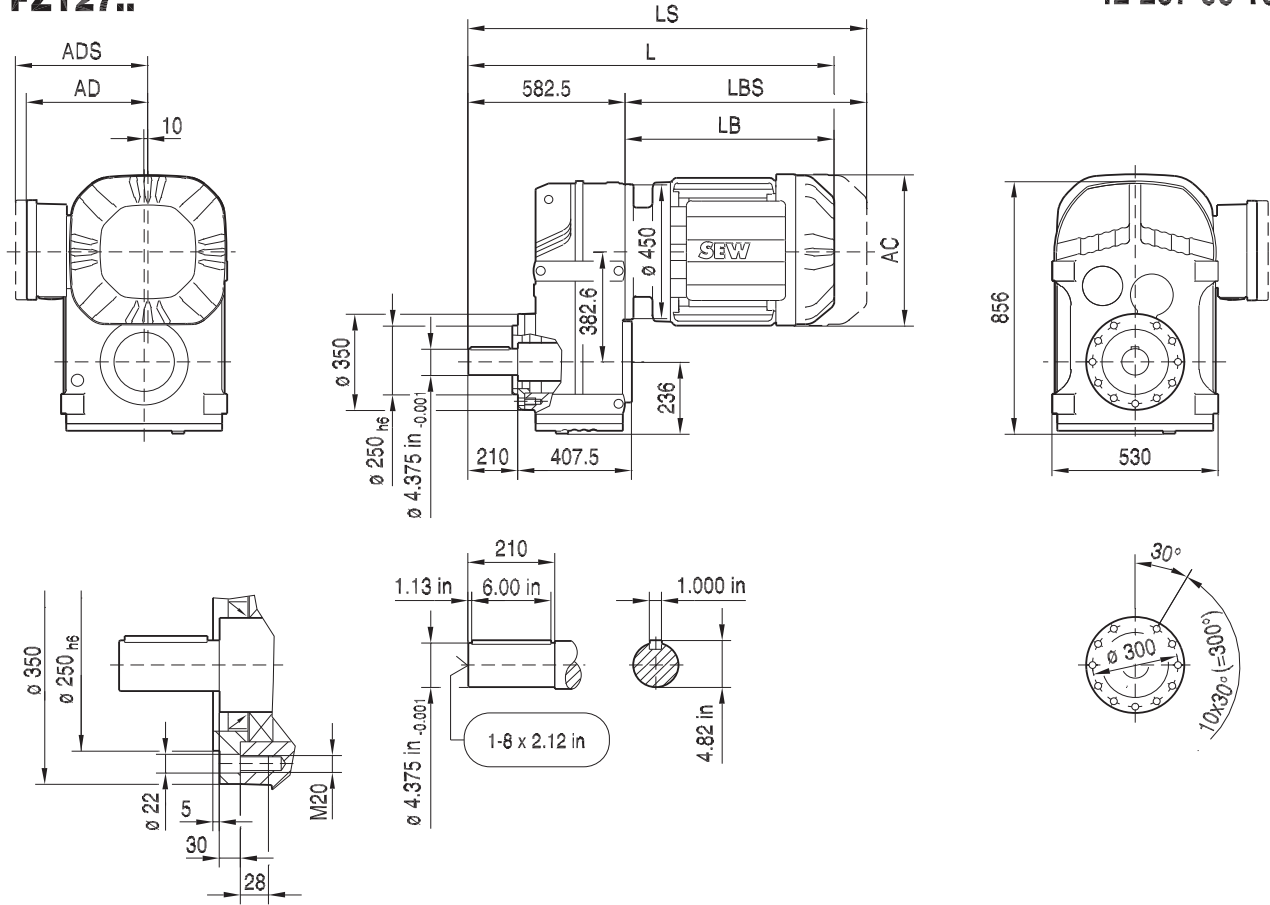
(→ 163)	DRN132S	DRN132M	DRN132L	DRN160	DRN180	DRN200L	DRN225	DRN250M	DRN280S	DRN280M
AC	221	261	261	314	357	394	434	495	495	495
AD	170	228	228	253	268	283	305	394	394	394
ADS	172	228	228	253	268	283	305	394	394	394
L	776	794	819	886	909	1018	993	1130	1130	1225
LS	888	931	956	1075	1098	1223	1198	1370	1370	1465
LB	398	416	442	508	531	641	615	752	752	847
LBS	510	554	579	697	720	846	820	992	992	1087

Dimensions in mm unless noted as inch. For all available output shaft diameters, see page 519. For tolerances, see page 163.

21933480/EN-US - 04/2018

## FZ127..

42 267 00 16

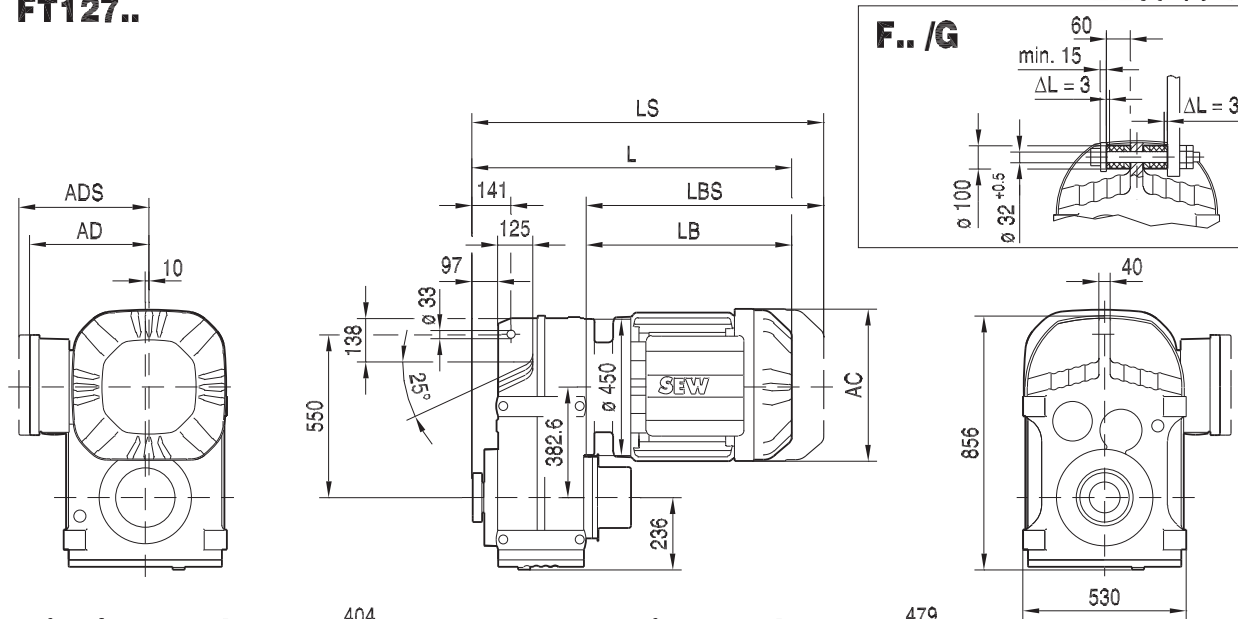


(→ 163)	DRN132S	DRN132M	DRN132L	DRN160	DRN180	DRN200L	DRN225	DRN250M	DRN280S	DRN280M
AC	221	261	261	314	357	394	434	495	495	495
AD	170	228	228	253	268	283	305	394	394	394
ADS	172	228	228	253	268	283	305	394	394	394
L	981	999	1024	1091	1114	1223	1198	1335	1335	1430
LS	1093	1136	1161	1280	1303	1428	1403	1575	1575	1670
LB	398	416	442	508	531	641	615	752	752	847
LBS	510	554	579	697	720	846	820	992	992	1087

Dimensions in mm unless noted as inch. For all available output shaft diameters, see page 517. For tolerances, see page 163.

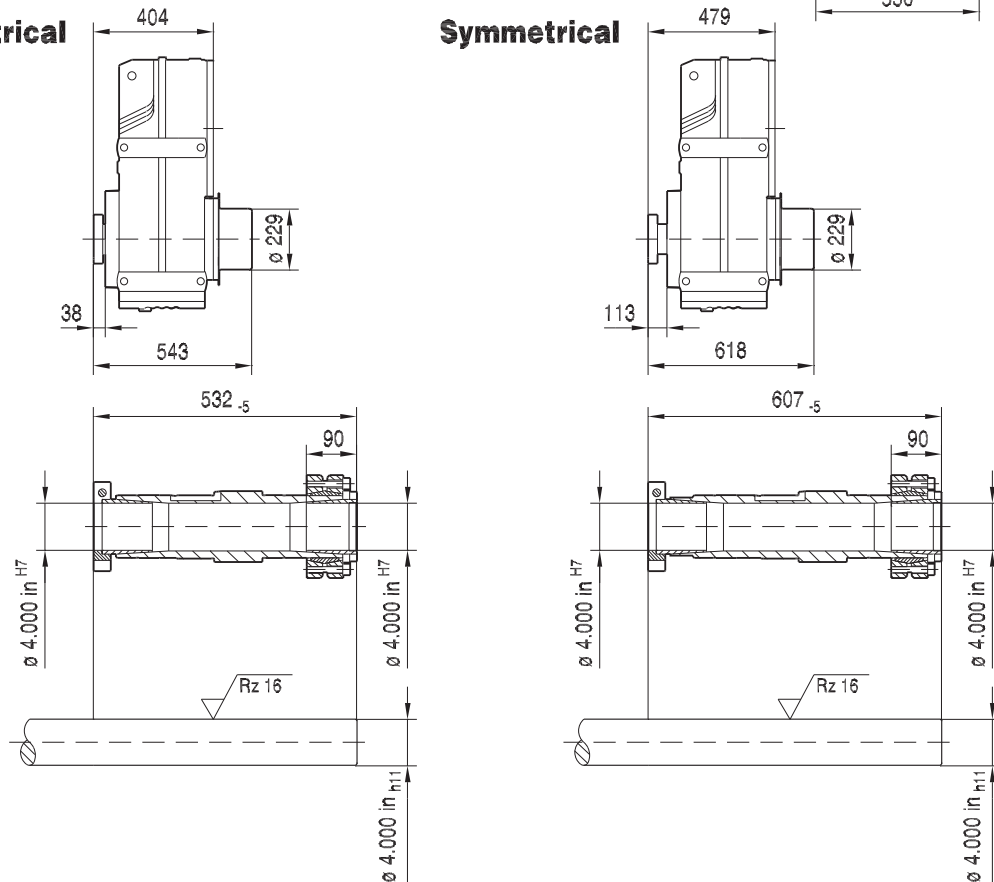
**FT127..**

42 268 00 16



**NON-Symmetrical**

**Symmetrical**



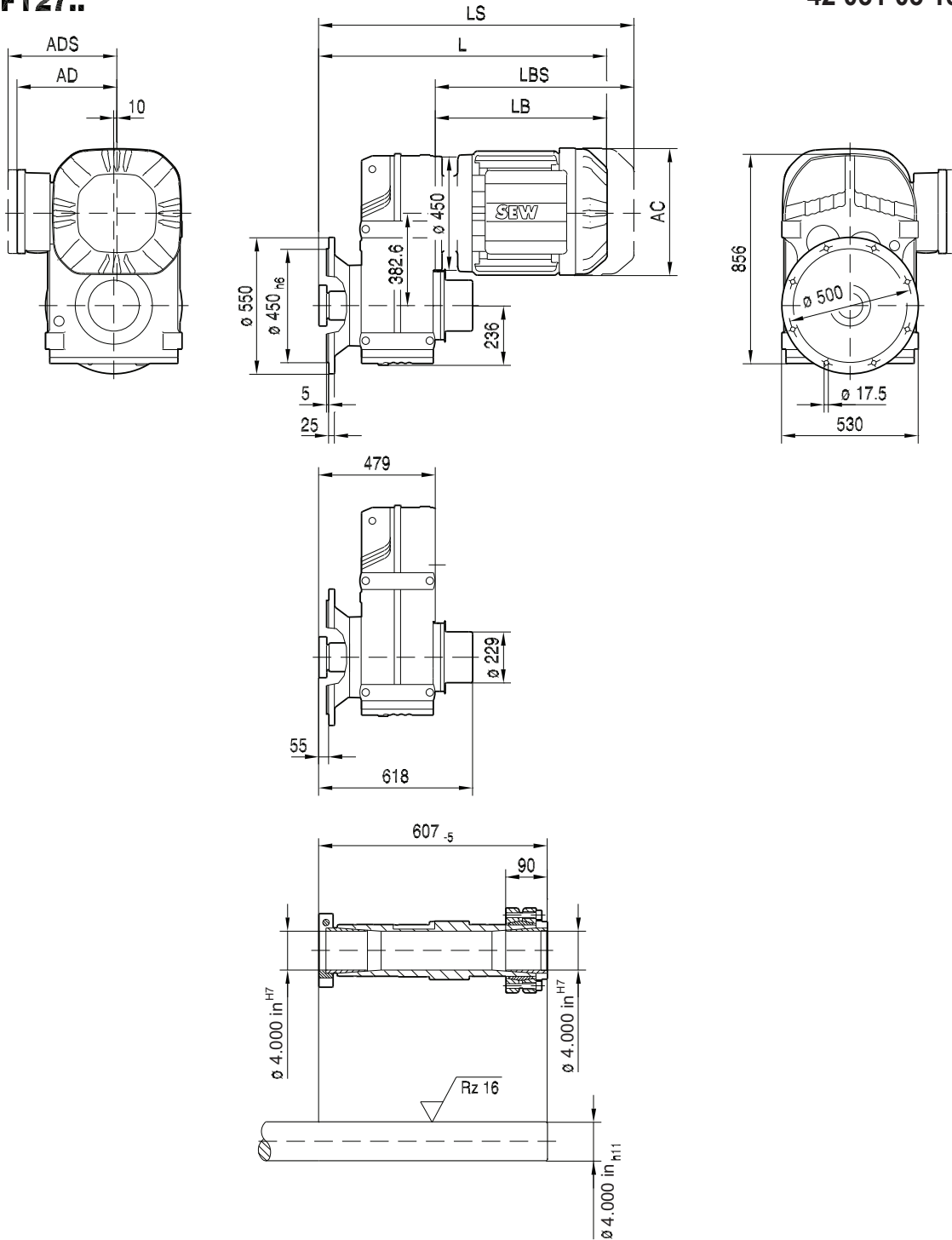
(→ 163)	DRN132S	DRN132M	DRN132L	DRN160	DRN180	DRN200L	DRN225	DRN250M	DRN280S	DRN280M
AC	221	261	261	314	357	394	434	495	495	495
AD	170	228	228	253	268	283	305	394	394	394
ADS	172	228	228	253	268	283	305	394	394	394
L	802	820	846	912	935	1045	1019	1156	1156	1251
LS	914	958	983	1101	1124	1250	1224	1396	1396	1491
LB	398	416	442	508	531	641	615	752	752	847
LBS	510	554	579	697	720	846	820	992	992	1087

Dimensions in mm unless noted as inch. For all available output shaft diameters, see page 521. For tolerances, see page 163.

21933480/EN-US - 04/2018

**FTF127..**

**42 031 03 13 US**



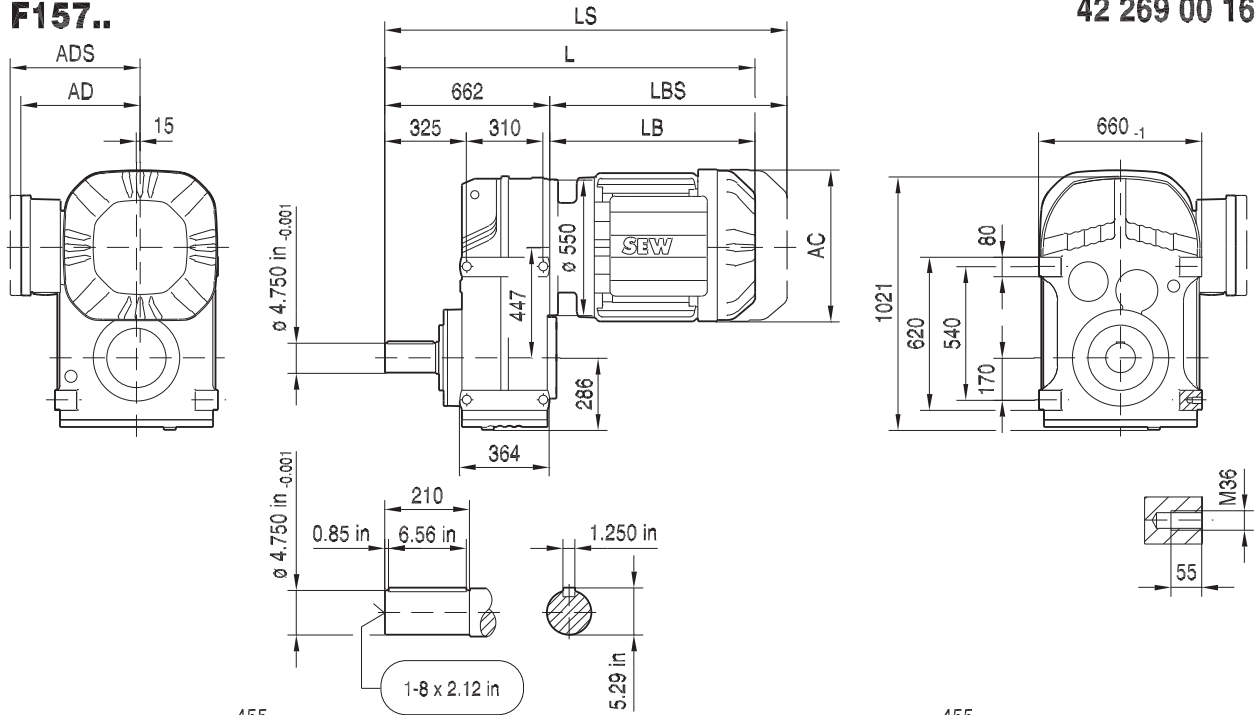
(→ 163)	DRN132S	DRN132M	DRN132L	DRN160	DRN180	DRN200L	DRN225	DRN250M	DRN280S	DRN280M
AC	221	261	261	314	357	394	434	495	495	495
AD	170	228	228	253	268	283	305	394	394	394
ADS	172	228	228	253	268	283	305	394	394	394
L	877	895	921	987	1010	1120	1094	1231	1231	1326
LS	989	1033	1058	1176	1199	1325	1299	1471	1471	1566
LB	398	416	442	508	531	641	615	752	752	847
LBS	510	554	579	697	720	846	820	992	992	1087

Dimensions in mm unless noted as inch. For all available output shaft diameters, see page 521. For tolerances, see page 163.

21933480/EN-US - 04/2018

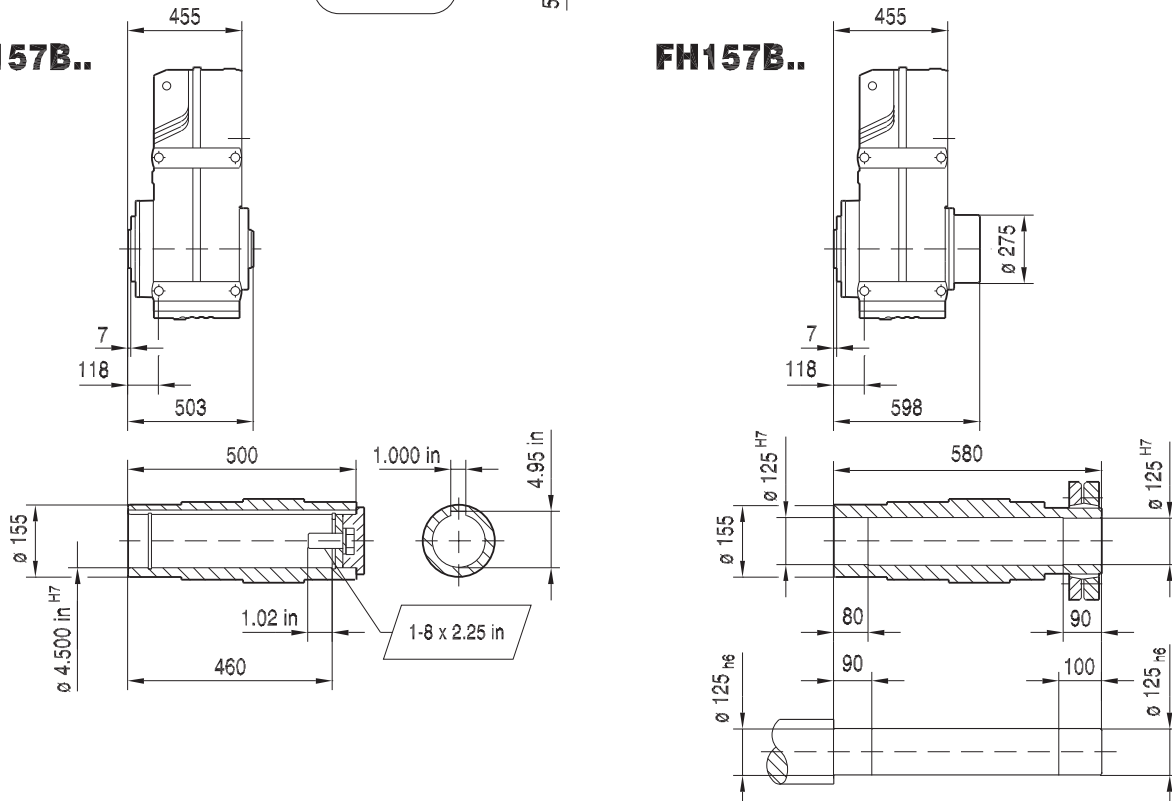
**F157..**

42 269 00 16



**FA157B..**

**FH157B..**

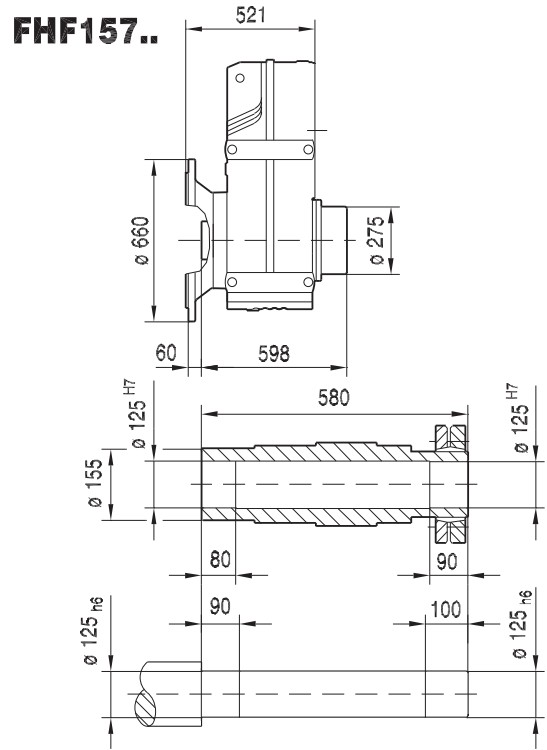
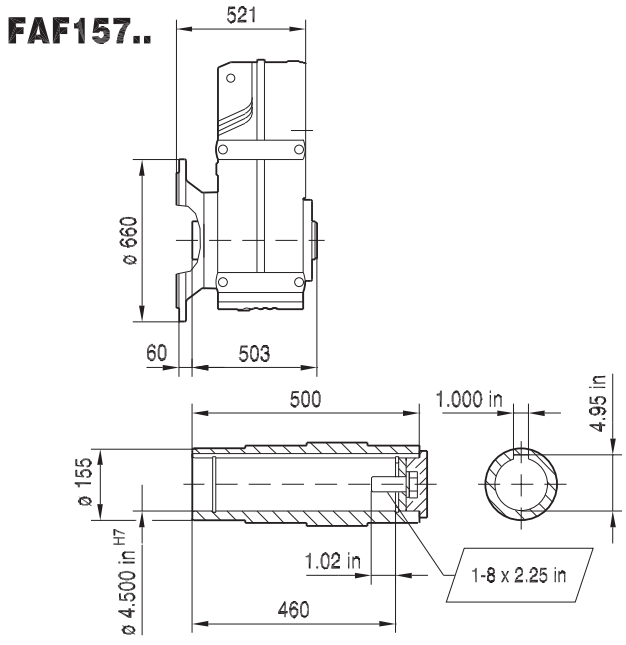
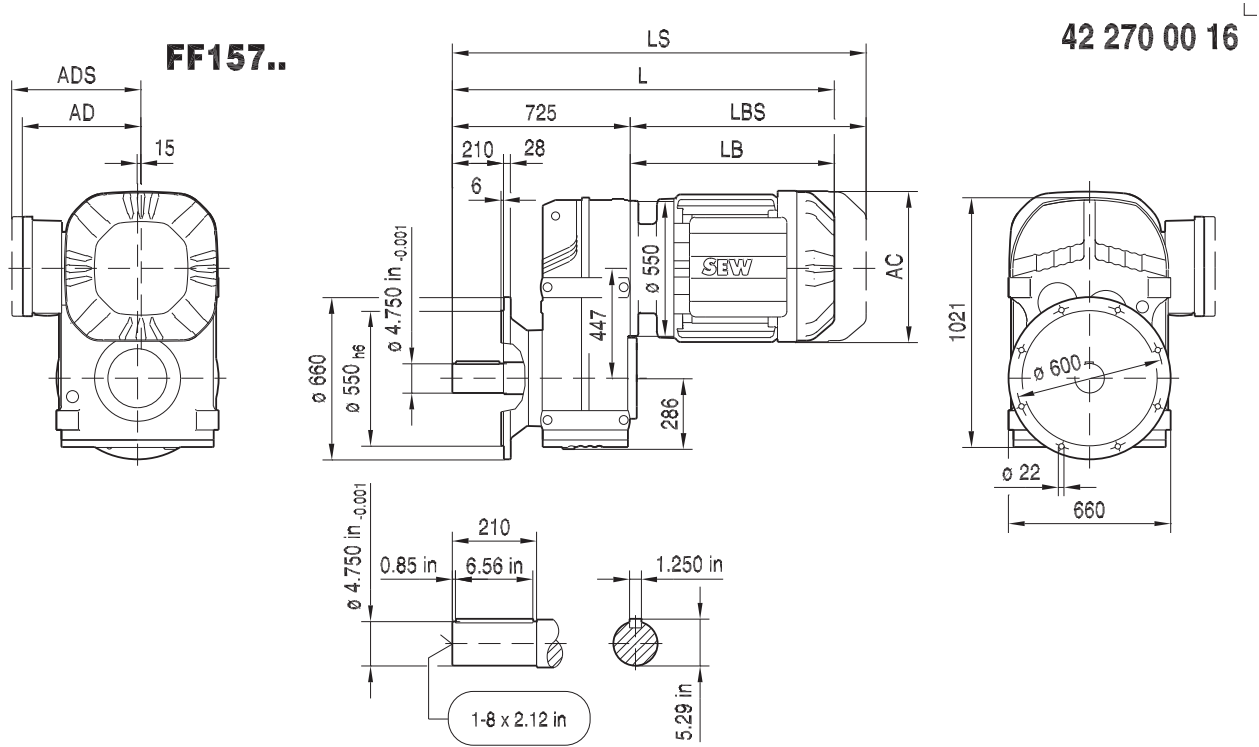


(→ 163)	DRN160	DRN180	DRN200L	DRN225	DRN250M	DRN280S	DRN280M	DRN315S/M	DRN315ME/H
AC	314	357	394	434	495	495	495	624	624
AD	253	268	283	305	394	394	394	506	506
ADS	253	268	283	305	394	394	394	506	506
L	1162	1185	1295	1269	1406	1406	1501	1603	1733
LS	1351	1374	1500	1474	1646	1646	1741	1854	1984
LB	500	523	633	607	744	744	839	941	1071
LBS	689	712	838	812	984	984	1079	1192	1322

Dimensions in mm unless noted as inch. For all available output shaft diameters, see page 517. For tolerances, see page 163.

21933480/EN-US - 04/2018





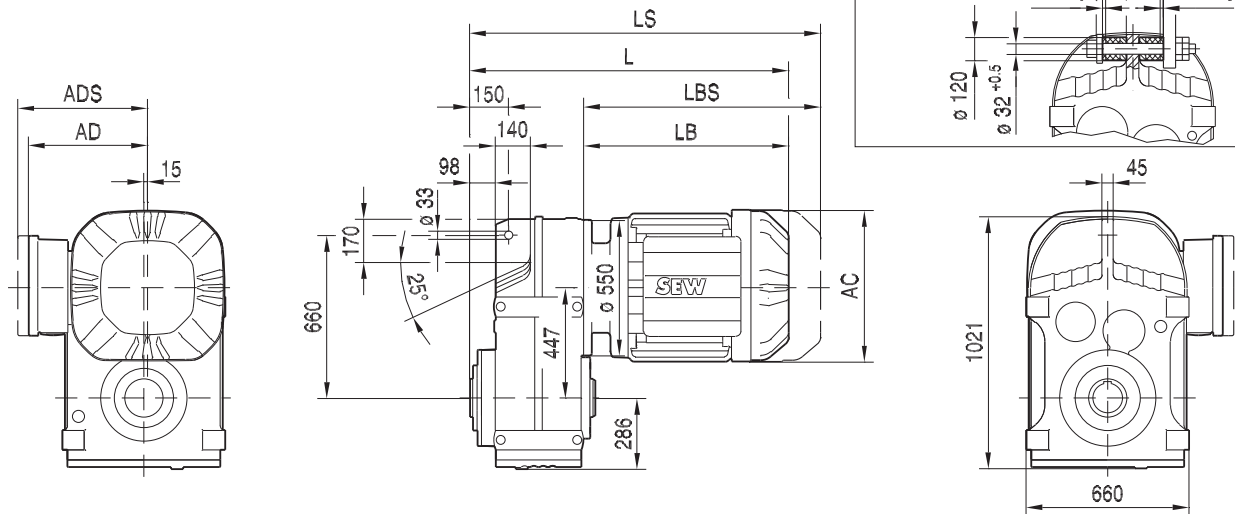
(→ 163)	DRN160	DRN180	DRN200L	DRN225	DRN250M	DRN280S	DRN280M	DRN315S/M	DRN315ME/H
AC	314	357	394	434	495	495	495	624	624
AD	253	268	283	305	394	394	394	506	506
ADS	253	268	283	305	394	394	394	506	506
L	1225	1248	1358	1332	1469	1469	1564	1666	1796
LS	1414	1437	1563	1537	1709	1709	1804	1917	2047
LB	500	523	633	607	744	744	839	941	1071
LBS	689	712	838	812	984	984	1079	1192	1322

Dimensions in mm unless noted as inch. For all available output shaft diameters, see page 517. For tolerances, see page 163.

21933480/EN-US - 04/2018

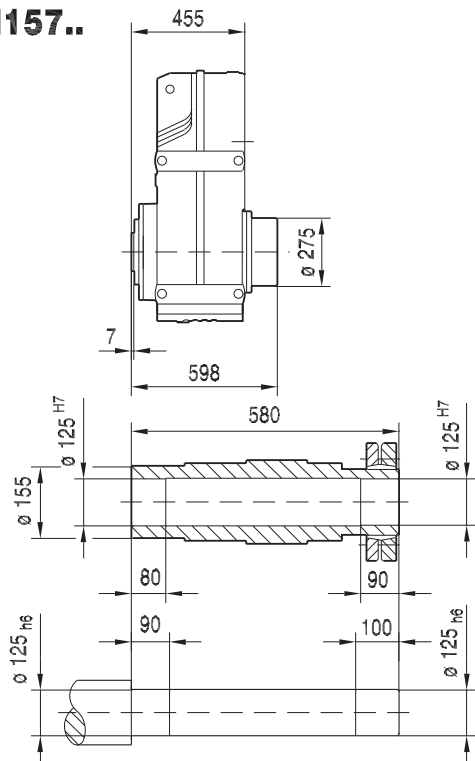
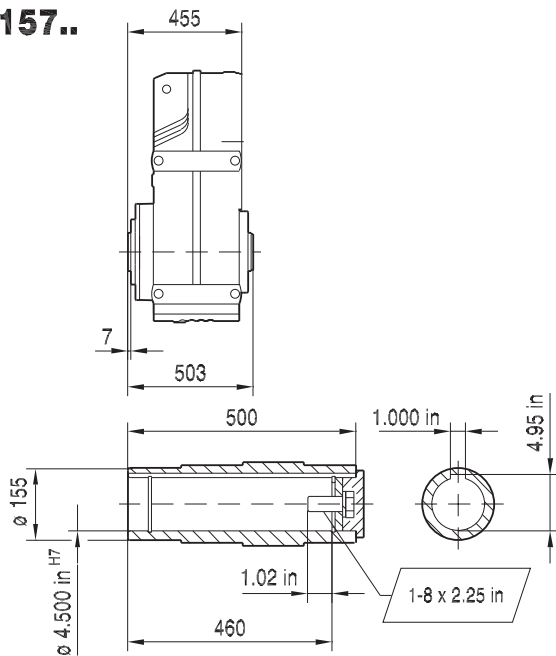
FA157..

42 271 00 16



FA157..

FH157..



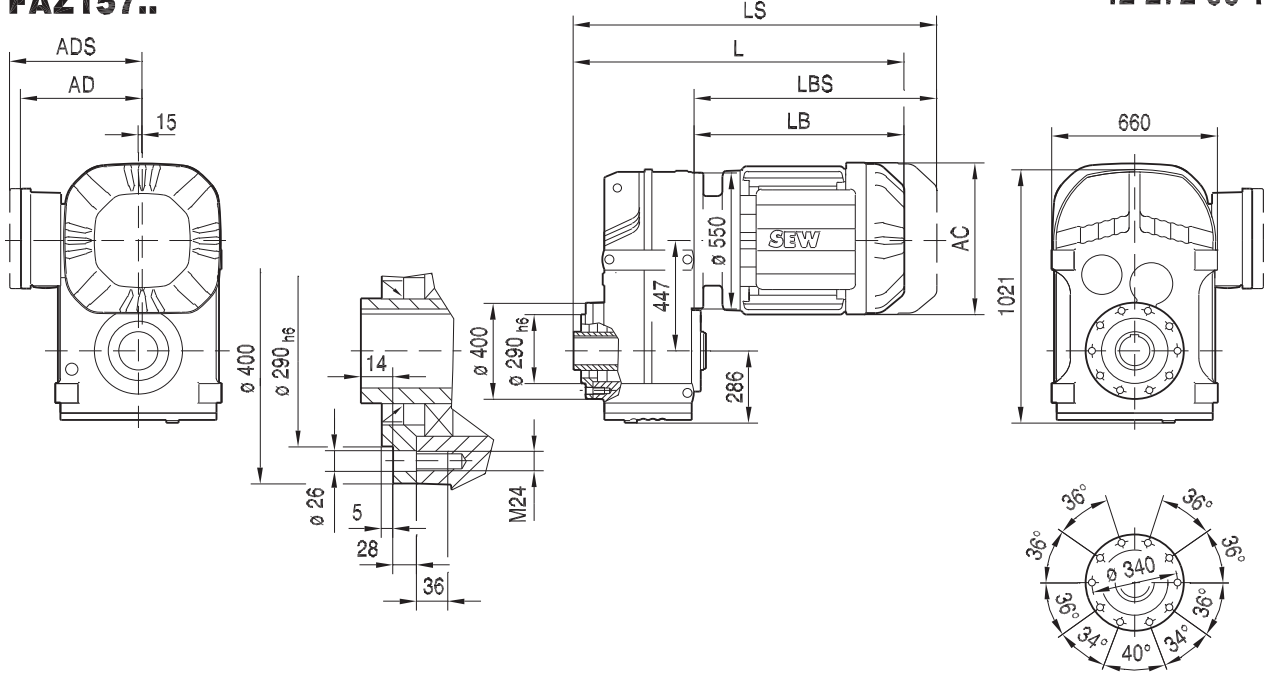
(→ 163)	DRN160	DRN180	DRN200L	DRN225	DRN250M	DRN280S	DRN280M	DRN315S/M	DRN315ME/H
AC	314	357	394	434	495	495	495	624	624
AD	253	268	283	305	394	394	394	506	506
ADS	253	268	283	305	394	394	394	506	506
L	955	978	1088	1062	1199	1199	1294	1396	1526
LS	1144	1167	1293	1267	1439	1439	1534	1647	1777
LBS	689	712	838	812	984	984	1079	1192	1322

Dimensions in mm unless noted as inch. For all available output shaft diameters, see page 519. For tolerances, see page 163.

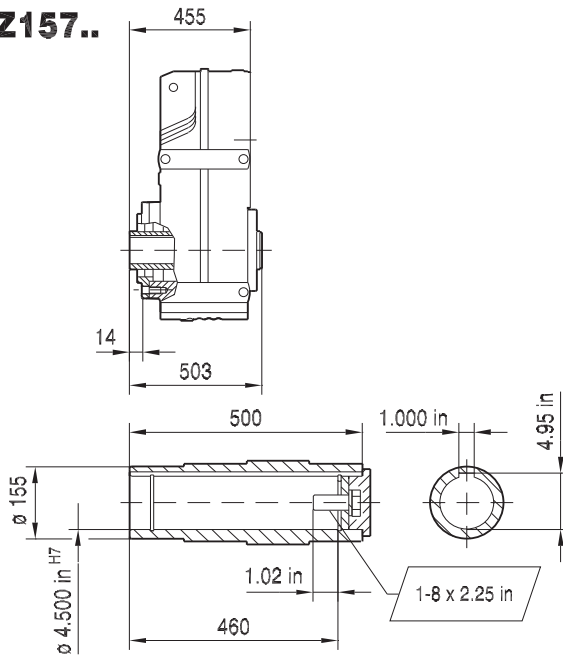
21933480/EN-US - 04/2018

42 272 00 16

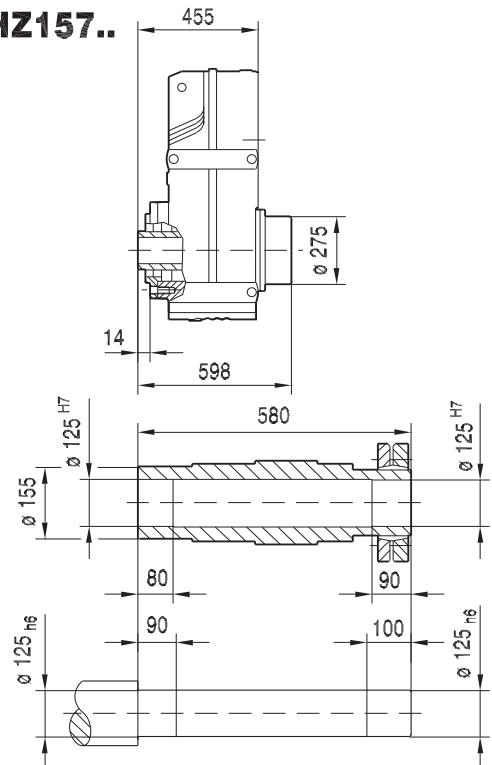
**FAZ157..**



**FAZ157..**



**FHZ157..**



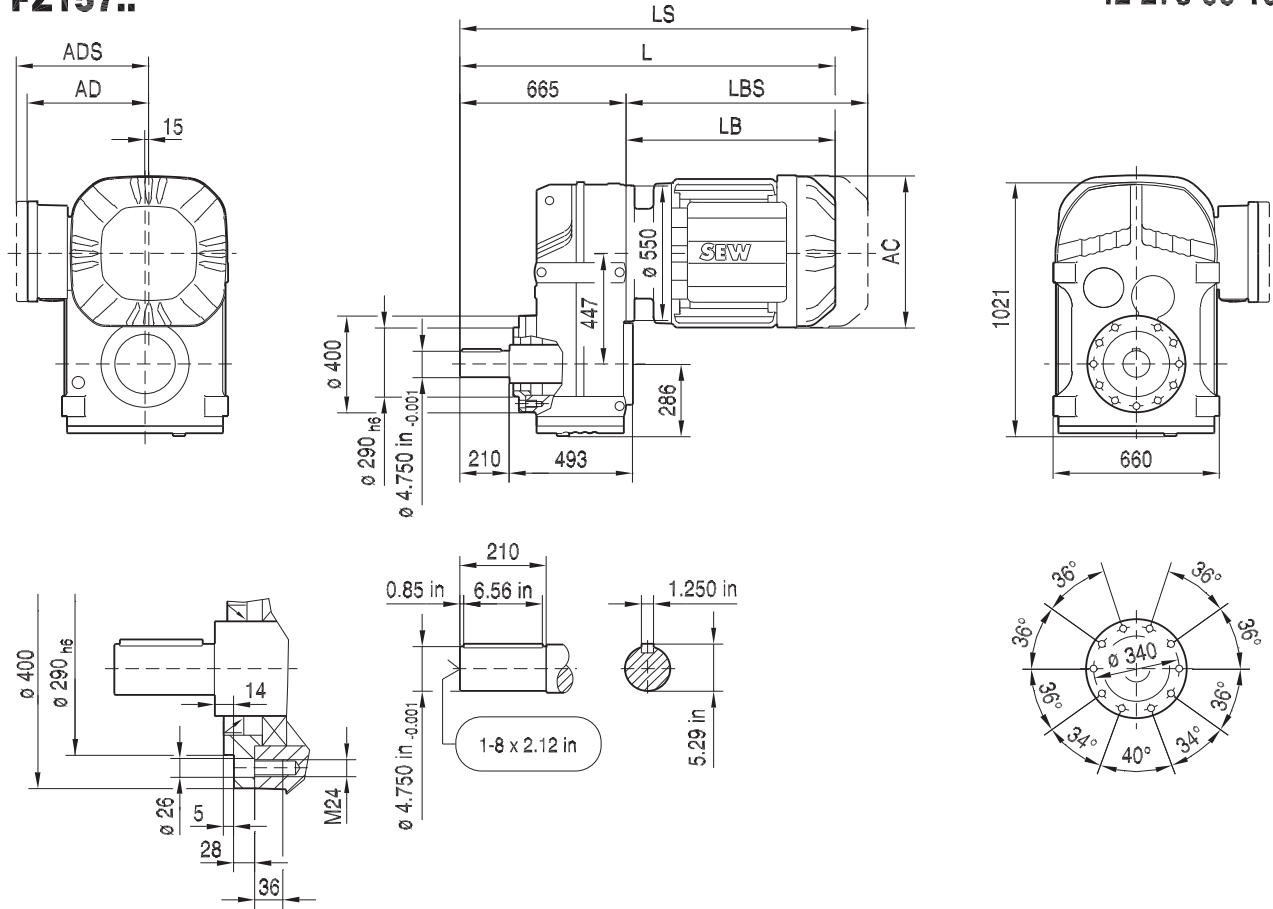
(→ 163)	DRN160	DRN180	DRN200L	DRN225	DRN250M	DRN280S	DRN280M	DRN315S/M	DRN315ME/H
AC	314	357	394	434	495	495	495	624	624
AD	253	268	283	305	394	394	394	506	506
ADS	253	268	283	305	394	394	394	506	506
L	955	978	1088	1062	1199	1199	1294	1396	1526
LS	1144	1167	1293	1267	1439	1439	1534	1647	1777
LB	500	523	633	607	744	744	839	941	1071
LBS	689	712	838	812	984	984	1079	1192	1322

Dimensions in mm unless noted as inch. For all available output shaft diameters, see page 519. For tolerances, see page 163.

21933480/EN-US - 04/2018

FZ157..

42 273 00 16



9

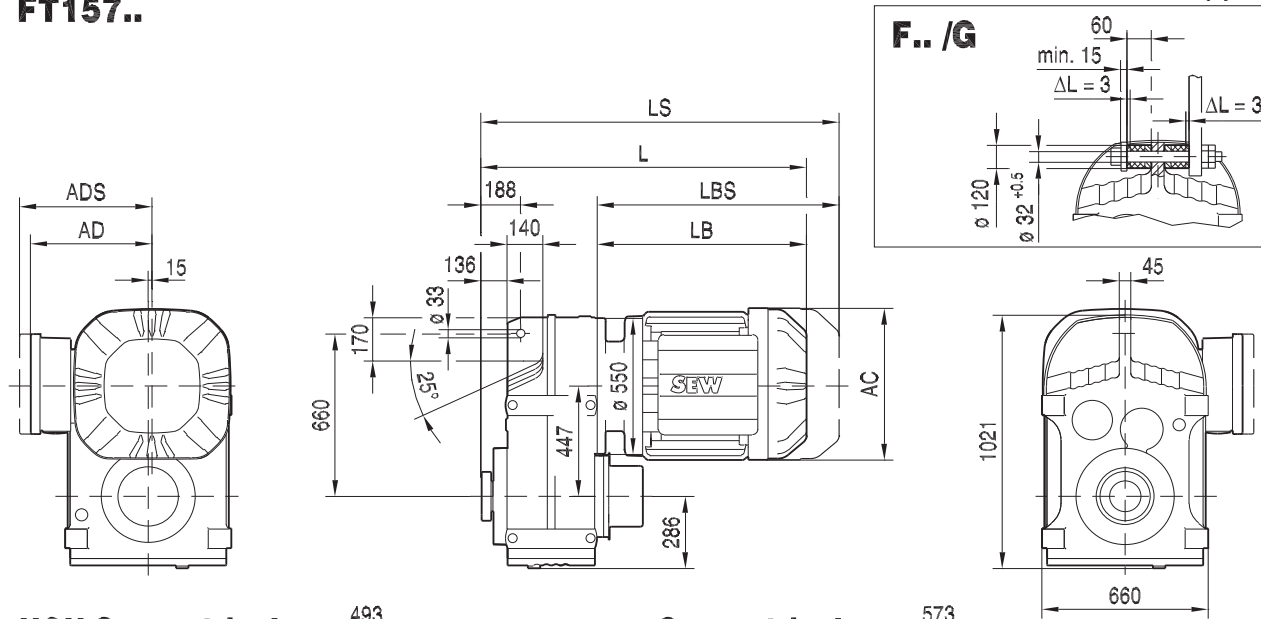
21933480/EN-US - 04/2018

(→ 163)	DRN160	DRN180	DRN200L	DRN225	DRN250M	DRN280S	DRN280M	DRN315S/M	DRN315ME/H
AC	314	357	394	434	495	495	495	624	624
AD	253	268	283	305	394	394	394	506	506
ADS	253	268	283	305	394	394	394	506	506
L	1165	1188	1298	1272	1409	1409	1504	1606	1736
LS	1354	1377	1503	1477	1649	1649	1744	1857	1987
LB	500	523	633	607	744	744	839	941	1071
LBS	689	712	838	812	984	984	1079	1192	1322

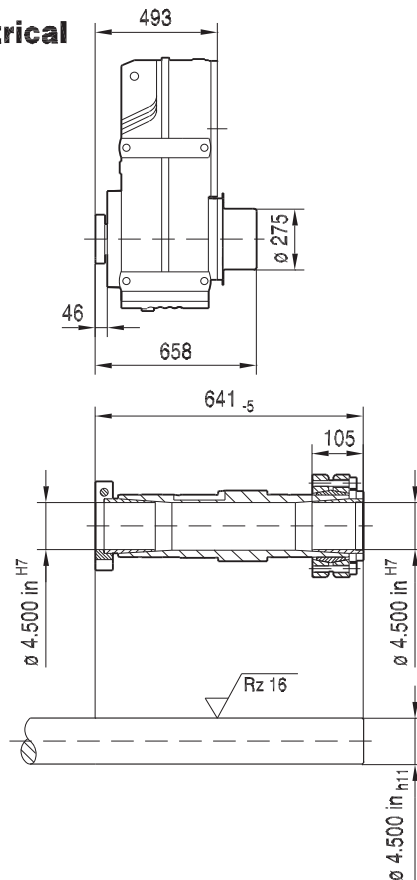
Dimensions in mm unless noted as inch. For all available output shaft diameters, see page 517. For tolerances, see page 163.

**FT157..**

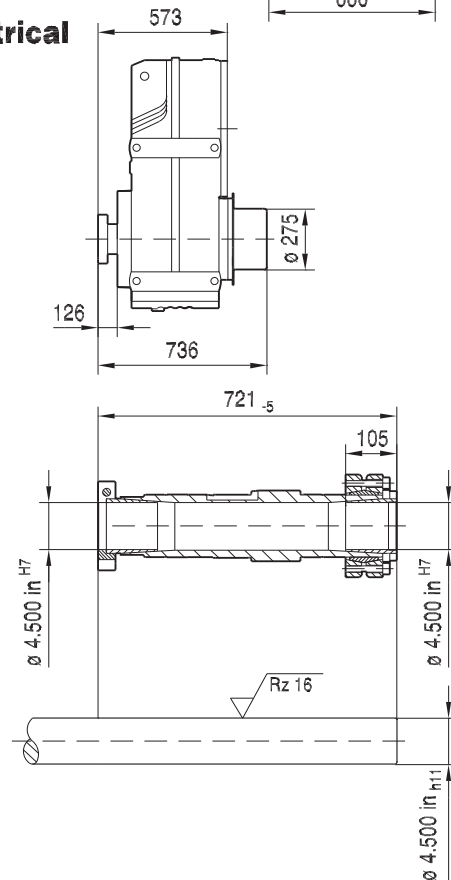
42 274 00 16



**NON-Symmetrical**



**Symmetrical**



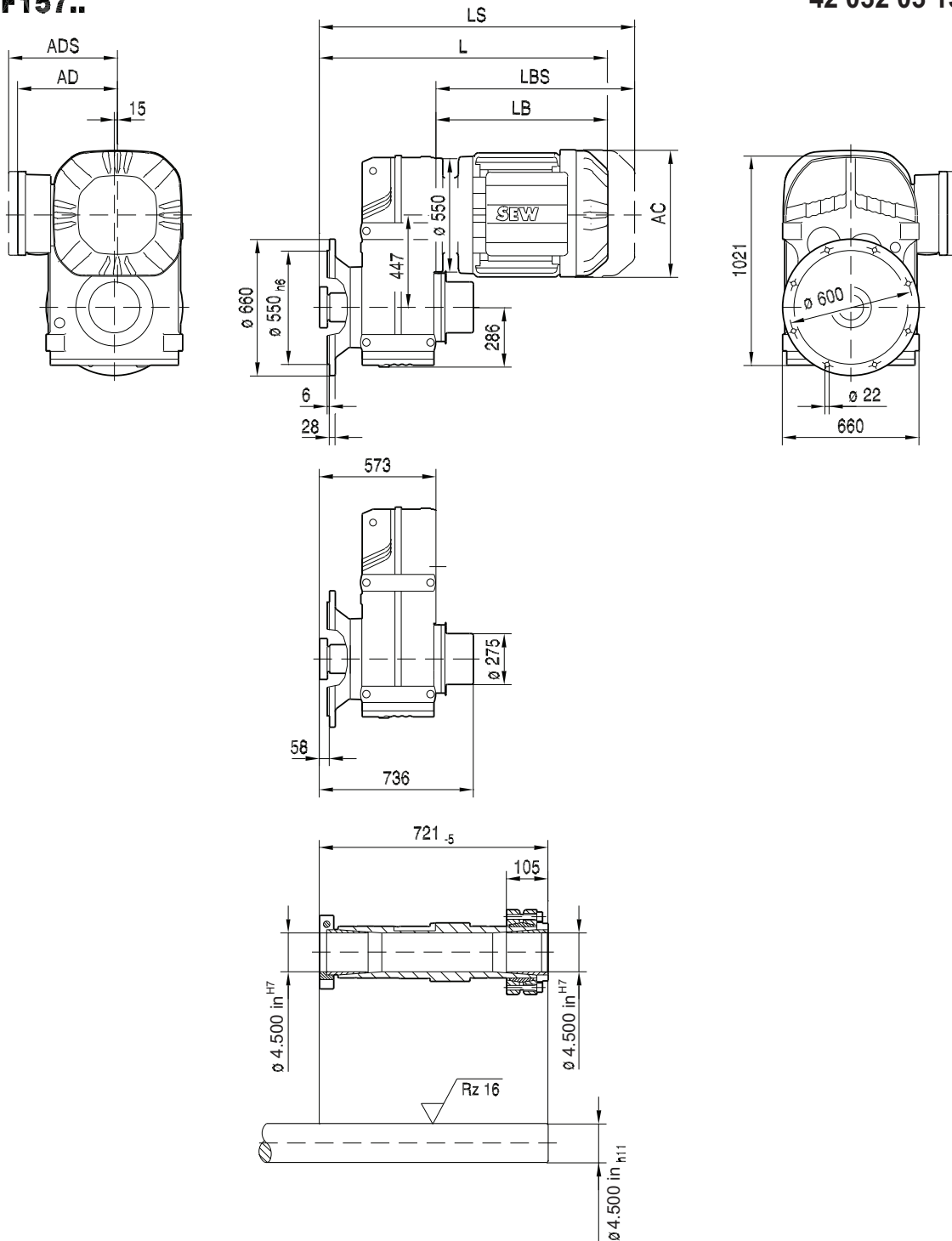
(→ 163)	DRN160	DRN180	DRN200L	DRN225	DRN250M	DRN280S	DRN280M	DRN315S/M	DRN315ME/H
AC	314	357	394	434	495	495	495	624	624
AD	253	268	283	305	394	394	394	506	506
ADS	253	268	283	305	394	394	394	506	506
L	993	1016	1126	1100	1237	1237	1332	1434	1564
LS	1182	1205	1331	1305	1477	1477	1572	1685	1815
LB	500	523	633	607	744	744	839	941	1071
LBS	689	712	838	812	984	984	1079	1192	1322

Dimensions in mm unless noted as inch. For all available output shaft diameters, see page 521. For tolerances, see page 163.

21933480/EN-US - 04/2018

**FTF157..**

**42 032 03 13 US**



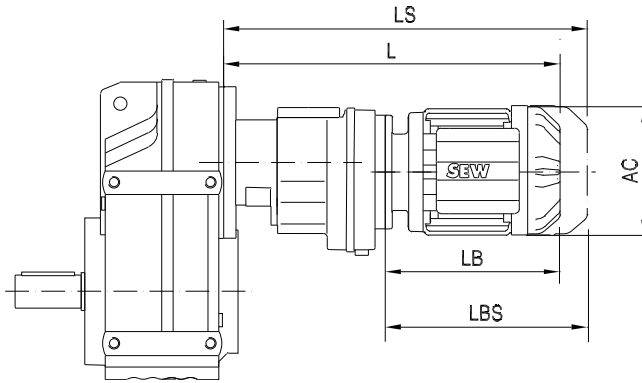
9

21933480/EN-US - 04/2018

(→ 163)	DRN160	DRN180	DRN200L	DRN225	DRN250M	DRN280S	DRN280M	DRN315S/M	DRN315ME/H
AC	314	357	394	434	495	495	495	624	624
AD	253	268	283	305	394	394	394	506	506
ADS	253	268	283	305	394	394	394	506	506
L	1073	1096	1206	1180	1317	1317	1412	1514	1644
LS	1262	1285	1411	1385	1557	1557	1652	1765	1895
LB	500	523	633	607	744	744	839	941	1071
LBS	689	712	838	812	984	984	1079	1192	1322

Dimensions in mm unless noted as inch. For all available output shaft diameters, see page 521. For tolerances, see page 163.

9.6 F.. R.. DRS/DRN.. Compound dimensions



42 121 00 06

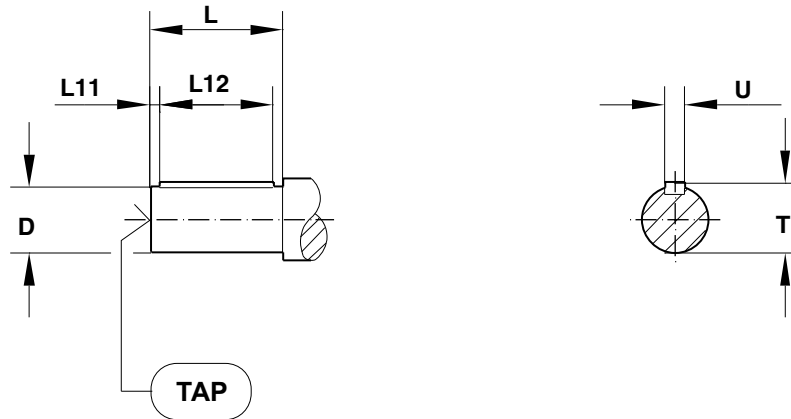
Gear	Motor	AC	L	LS	LB	LBS
F..27R17	DR63	132	324	379	149	204
	DRS71S	139	335	403	160	228
F..37R17	DR63	132	324	379	149	204
	DRS71S	139	335	403	160	228
	DRS71M	139	360	428	185	253
F..47R17	DR63	132	324	379	149	204
	DRS71S	139	335	403	160	228
	DRS71M	139	360	428	185	253
	DRN80M	156	410	491	235	316
F..57R37	DR63	132	356	411	191	246
	DRS71S	139	367	434	202	269
	DRS71M	139	392	459	227	294
	DRN80M	156	446	527	281	362
	DRN90S	179	447	541	282	376
F..67R37	DR63	132	356	411	191	246
	DRS71S	139	367	434	202	269
	DRS71M	139	392	459	227	294
	DRN80M	156	446	527	281	362
	DRN90S	179	448	541	283	376
F..77R37	DR63	132	348	403	191	246
	DRS71S	139	359	426	202	269
	DRS71M	139	384	451	227	294
	DRN80M	156	438	519	281	362
	DRN90S	179	440	533	283	376
	DRN90L	179	472	565	315	408
F..87R57	DRN100L/LM	197	522	615	365	458
	DR63	132	412	467	185	240
	DRS71S	139	423	491	196	264
	DRS71M	139	448	516	221	289
	DRN80M	156	502	583	275	356
	DRN90S	179	504	597	277	370
	DRN90L	179	536	629	309	402
F..97R57	DRN100L/LM	197	583	676	355	448
	DR63	132	407	462	185	240
	DRS71S	139	418	486	196	264
	DRS71M	139	443	511	221	289
	DRN80M	156	497	578	275	356
	DRN90S	179	499	592	277	370
	DRN90L	179	531	624	309	402
	DRN100L/LM	197	578	671	355	448

Gear	Motor	AC	L	LS	LB	LBS
F..97R57	DRN112M	221	608	720	386	498
	DRN132S	221	662	774	440	552
F..107R77	DR63	132	425	480	178	233
	DRS71S	139	436	504	189	257
	DRS71M	139	461	529	214	282
	DRN80M	156	515	596	268	349
F..107R77	DRN90S	179	517	610	270	363
	DRN90L	179	549	642	302	395
	DRN100L/LM	197	595	688	348	441
	DRN112M	221	626	738	379	491
	DRN132S	221	676	788	429	541
F..127R77	DRN132M	261	692	831	445	584
	DR63	132	410	465	178	233
	DRS71S	139	421	489	189	257
	DRS71M	139	446	514	214	282
	DRN80M	156	500	581	268	349
	DRN90S	179	502	595	270	363
	DRN90L	179	534	627	302	395
	DRN100L/LM	197	580	673	348	441
	DRN112M	221	611	723	379	491
	DRN132S	221	661	773	429	541
F..127R87	DRN132M	261	679	817	447	585
	DRN132S	221	704	816	424	536
	DRN132M	261	720	859	440	579
	DRN132L	261	745	884	465	604
	DRN160M	314	814	1003	534	723
	DRN160L	314	814	1003	534	723
F..157R97	DRS71M	139	529	597	204	272
	DRN80M	156	583	664	258	339
	DRN90S	179	585	678	260	353
	DRN90L	179	617	710	292	385
	DRN100L/LM	197	663	756	338	431
	DRN112M	221	694	806	369	481
	DRN132S	221	744	856	419	531
	DRN132M	261	760	899	435	574
	DRN132L	261	785	924	460	599
	DRN160M	314	854	1043	529	718
DRN160L	314	854	1043	529	718	
DRN180M	357	879	1068	554	743	

21933480/EN-US - 04/2018

## 9.7 Output shaft sizes

### 9.7.1 Solid Shaft – Inch



Model	All dimensions in inches							
	D	T	U	L <sup>1</sup>	L11	L12	TAP	Change <sup>2</sup>
F..27	1.00	1.11	1/4	1.97	0.20	1-5/16	3/8 - 16 x 0.87	0
F..37	1.00	1.11	1/4	1.97	0.20	1-5/16	3/8 - 16 x 0.87	0
F..47	1.25	1.36	1/4	2.36	0.26	1-11/16	1/2 - 13 x 1.12	0
F..57	1.375	1.51	5/16	2.76	0.43	1-13/16	1/2 - 13 x 1.12	0
F..67	1.375	1.51	5/16	2.76	0.47	1-13/16	1/2 - 13 x 1.12	-0.39
	1.625	1.79	3/8	3.15	0.38	2-1/4	5/8 - 11 x 1.38	0
F..77	1.75	1.92	3/8	3.54	0.4	2-3/4	5/8 - 11 x 1.38	-0.39
	2.00	2.22	1/2	3.94	0.64	2-5/8	3/4 - 10 x 1.61	0
F..87	2.375	2.65	5/8	4.72	0.51	3-5/8	3/4 - 10 x 1.61	0
F..97	2.875	3.2	3/4	5.51	0.67	4-1/8	3/4 - 10 x 1.61	0
F..107	3.625	4.01	7/8	6.69	0.63	5-3/8	1 - 8 x 2.13	0
F..127	4.375	4.82	1	8.27	1.09	6	1 - 8 x 2.13	0
F..157	4.75	5.29	1-1/4	8.27	0.82	6-9/16	1 - 8 x 2.13	0

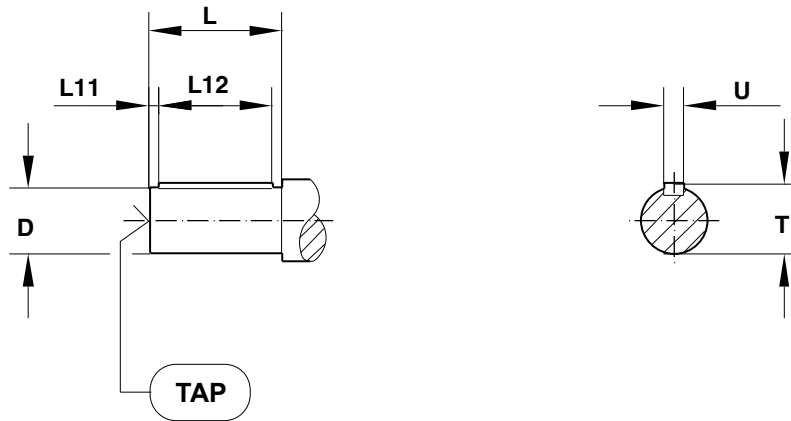
21933480/EN-US – 04/2018

<sup>1</sup>Longer shafts to match obsolete gear unit designs are available for flanged units.

<sup>2</sup>The change in length, L, when compared to the standard shaft that is shown in dimension pages.



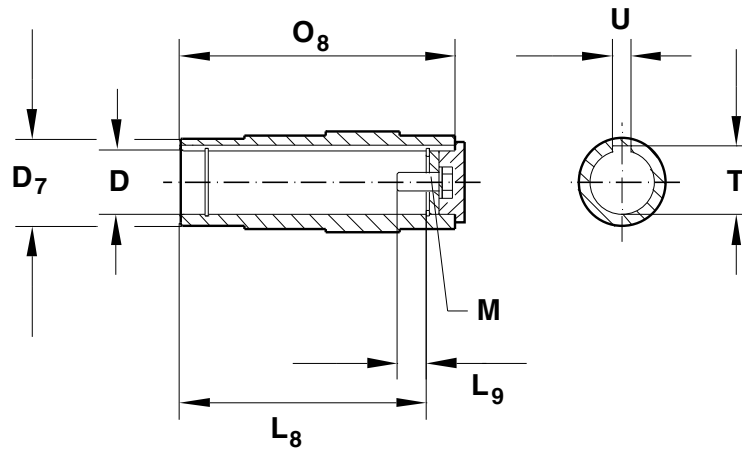
### 9.7.2 Solid Shaft – Metric



Model	All dimensions in mm						
	D	T	U	L <sup>1</sup>	L11	L12	TAP
F..27	25	28	8	50	5	40	M10 x 22
F..37	25	28	8	50	5	40	M10 x 22
F..47	30	33	8	60	3.5	50	M10 x 22
F..57	35	38	10	70	7	56	M12 x 28
F..67	40	43	12	80	5	70	M16 x 36
	35	38	10	70	7	56	M12 x 28
F..77	50	53.5	14	100	10	80	M16 x 36
	45	48.5	14	90	5	80	M16 x 36
F..87	60	64	18	120	5	110	M20 x 42
F..97	70	74.5	20	140	7.5	125	M20 x 42
F..107	90	95	25	170	5	160	M24 x 50
F..127	110	116	28	210	15	180	M24 x 50
F..157	120	127	32	210	5	200	M24 x 50

<sup>1</sup>Longer shafts to match obsolete gear unit designs are available for flanged units.

9.7.3 Hollow Shaft – Inch



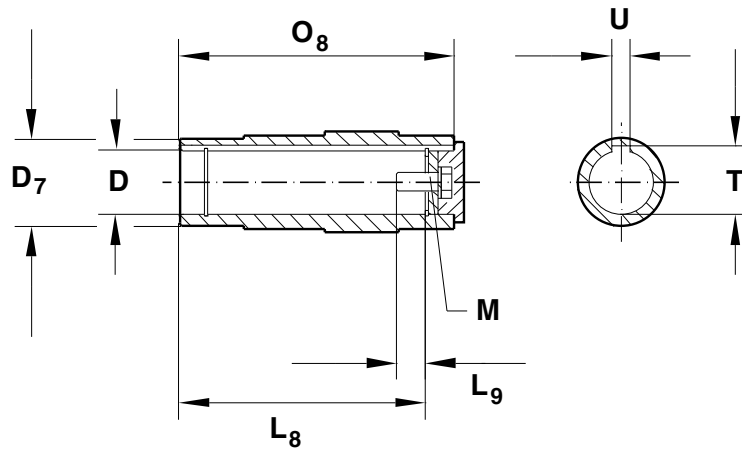
Note:

To aid in the future removal of your machine's solid shaft from a hollow shaft gear unit, please see SEW-EURODRIVE design recommendations on page 121.

Model	All dimensions in inch							
	D	D7	O8	T	U	L8	L9	M
FA..27	1.00	1.57	4.09	1.12	1/4	3.50	0.69	3/8 - 16 x 1
FA..37	1.25	1.77	4.72	1.37	1/4	4.13	0.67	7/16 - 14 x 1
FA..47	1.1875	1.97	5.91	1.30	1/4	5.2	0.67	3/8 - 16 x 1
	1.25	1.97	5.91	1.37	1/4	5.2	0.67	7/16 - 14 x 1
	1.375	1.97	5.91	1.52	5/16	5.2	0.65	1/2 - 13 x 1
	1.4375	1.97	5.91	1.61	3/8	5.2	0.65	5/8 - 11 x 1-3/4
FA..57	1.4375	2.17	6.54	1.61	3/8	5.59	1.36	5/8 - 11 x 1-3/4
	1.50	2.17	6.54	1.67	3/8	5.59	1.36	5/8 - 11 x 1-3/4
FA..67	1.4375	2.17	7.09	1.61	3/8	6.14	1.36	5/8 - 11 x 1-3/4
	1.50	2.17	7.09	1.67	3/8	6.14	1.36	5/8 - 11 x 1-3/4
FA..77	1.9375	2.76	8.27	2.16	1/2	7.2	1.16	5/8 - 11 x 1-3/4
	2.00	2.76	8.27	2.22	1/2	7.2	1.16	5/8 - 11 x 1-3/4
FA..87	2.375	3.35	9.45	2.65	5/8	8.27	1.39	3/4 - 10 x 2
	2.4375	3.35	9.45	2.62	5/8	8.27	1.39	3/4 - 10 x 2
FA..97	2.75	3.74	11.81	3.03	5/8	10.63	1.24	3/4 - 10 x 2
	2.9375	3.74	11.81	3.14	3/4	10.63	1.24	3/4 - 10 x 2
FA..107	3.25	4.65	13.78	3.59	3/4	12.32	1.24	3/4 - 10 x 2
	3.4375	4.65	13.78	3.7	7/8	12.32	1.24	3/4 - 10 x 2
	3.625	4.65	13.78	3.89	7/8	12.32	1.24	3/4 - 10 x 2
FA..127	4.00	5.31	16.14	4.44	1	14.69	1.26	1 - 8 x 2-1/4
FA..157	4.50	6.1	19.69	4.95	1	18.11	1.26	1 - 8 x 2-1/4

21933480/EN-US - 04/2018

### 9.7.4 Hollow Shaft – Metric

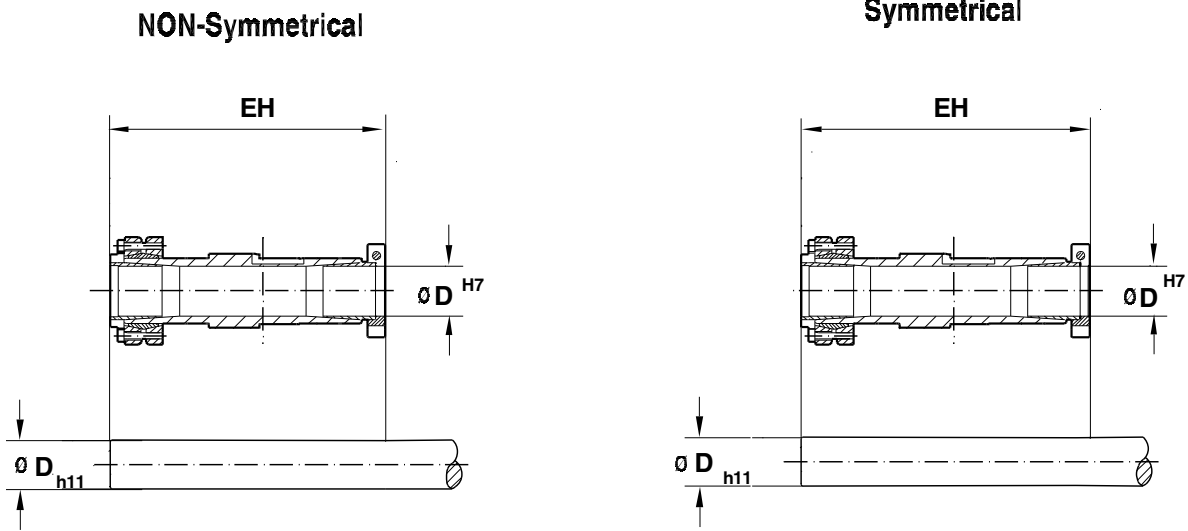


**Note:**

To aid in the future removal of your machine's solid shaft from a hollow shaft gear unit, please see SEW-EURODRIVE design recommendations on page 121.

Model	All dimensions in mm							
	D	D7	O8	T	U	L8	L9	M
FA..27	25	40	104	28.3	8	89	17	M10 x 25
FA..37	30	45	120	33.3	8	105	17	M10 x 25
FA..47	35	50	150	38.3	10	132	22	M12 x 30
	30	50	150	33.3	8	132	16	M10 x 25
FA..57	40	55	166	43.3	12	142	29	M16 x 40
FA..67	40	55	180	43.3	12	156	29	M16 x 40
FA..77	50	70	210	53.8	14	183	32	M16 x 45
FA..87	60	85	240	64.4	18	210	36	M20 x 50
FA..97	70	95	300	74.9	20	270	34	M20 x 50
FA..107	90	118	350	95.4	25	313	40	M24 x 60
	80	118	350	85.4	22	313	30	M20 x 50
FA..127	100	135	410	106.4	28	373	38	M24 x 60
FA..157	120	135	500	127.4	32	460	36	M24 x 60

9.7.5 TorqLOC® keyless hollow shaft



Model	D (in)					D (mm)						EH (in)	
	Inch Bores					Metric Bores						NON Symmetrical	Symmetrical
FT37	1.00	1.1875	1.25	-	-	25	30	-	-	-	-	6.69	7.60
FT47	1.1875	1.25	1.375	1.4375	-	30	35	-	-	-	-	8.15	9.09
FT57	1.375	1.4375	1.50	1.625	-	35	38	40	-	-	-	9.13	10.33
FT67	1.375	1.4375	1.50	1.625	1.688	35	38	40	-	-	-	9.65	10.85
FT77	1.625	1.6875	1.75	1.9375	2.00	40	45	50	-	-	-	11.57	13.21
FT87	1.9375	2.00	2.375	2.4375	-	50	51	55	60	62	65	13.19	15.24
FT97	2.4375	2.75	2.9375	-	-	60	62	65	70	75	-	15.59	17.76
FT107	3.250	3.4375	3.625	3.750	-	80	85	90	95	-	-	17.76	20.09
FT127	3.4375	3.750	4.00	4.1875	-	90	95	100	105	-	-	20.94	23.89
FT157	4.4375	4.50	4.9375	5.00	-	110	120	125	-	-	-	25.24	28.39

21933480/EN-US - 04/2018