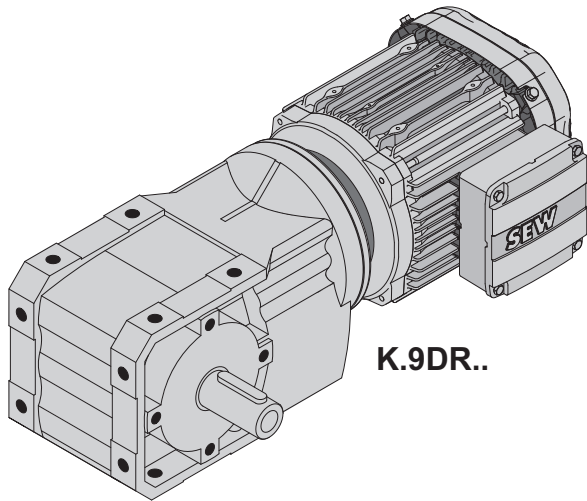
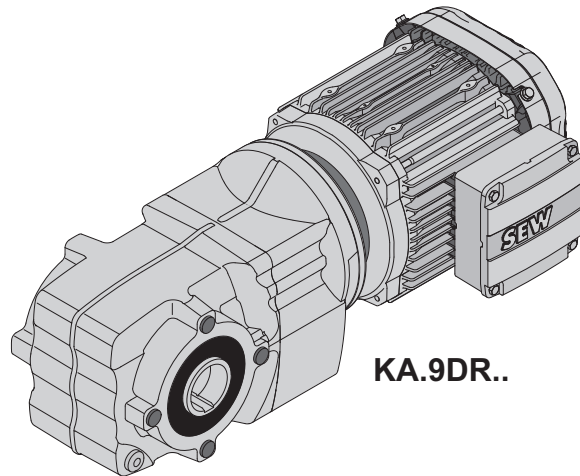


10 Helical-bevel gearmotors

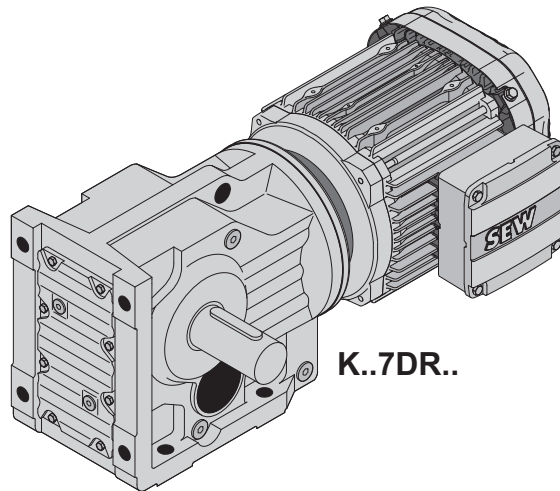
10.1 K.. DRS/DRN.. Designs



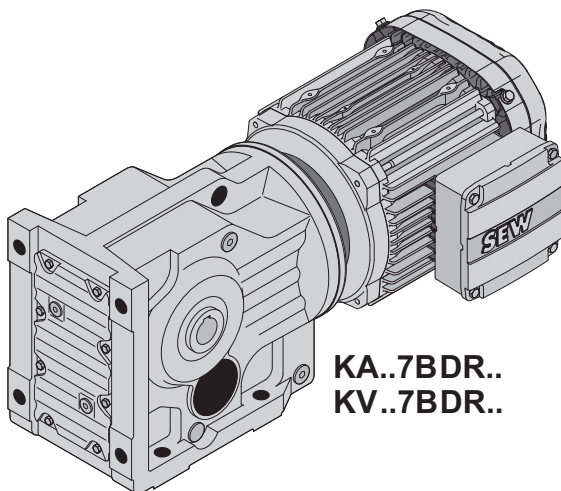
K.9DR..



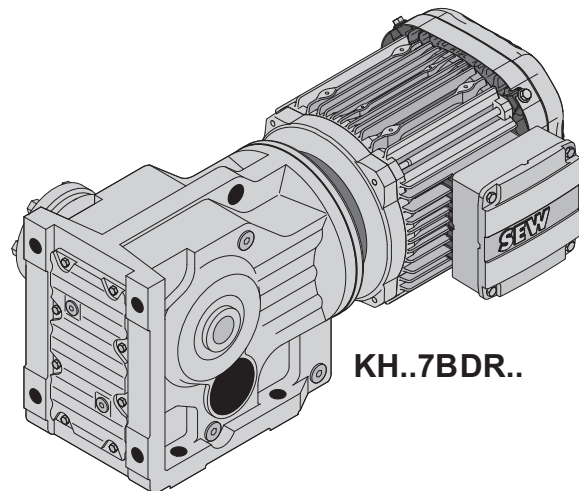
KA.9DR..



K..7DR..

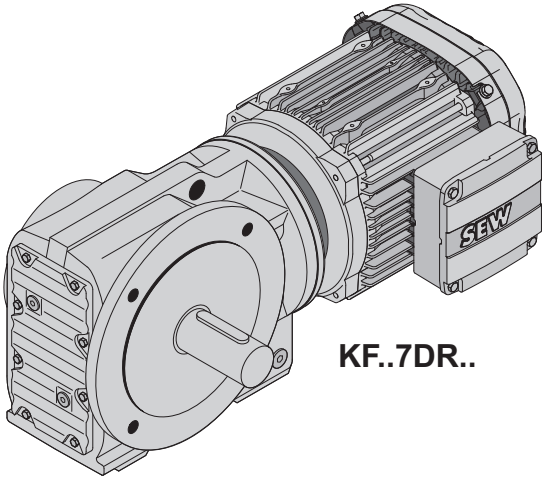


**KA..7BDR..
KV..7BDR..**

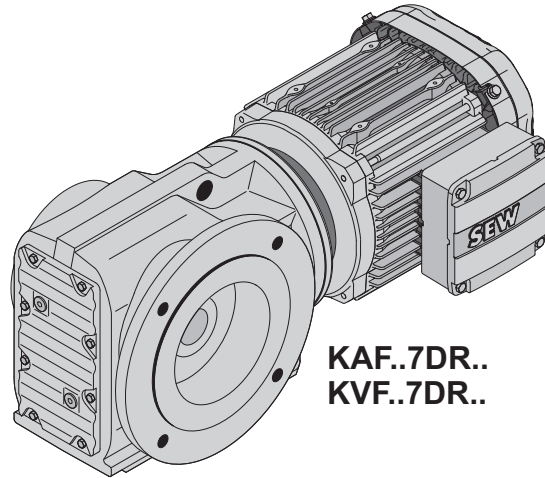


KH..7BDR..

18014407174236299

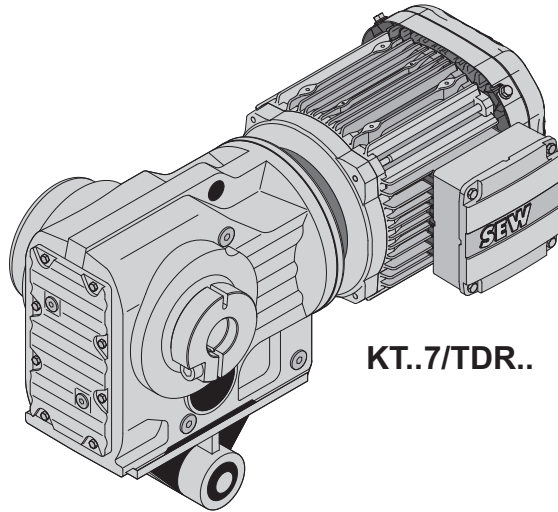


KF..7DR..

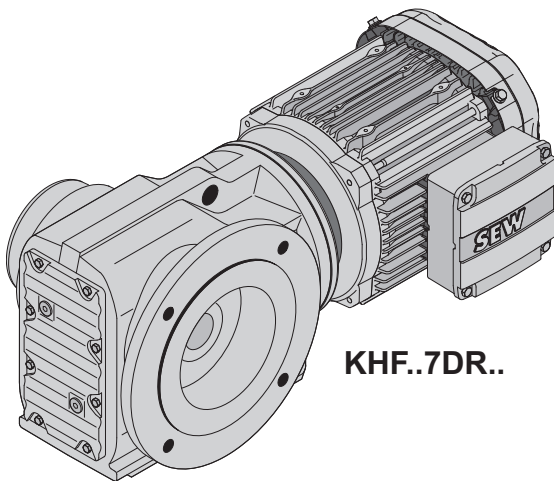


KAF..7DR..
KVF..7DR..

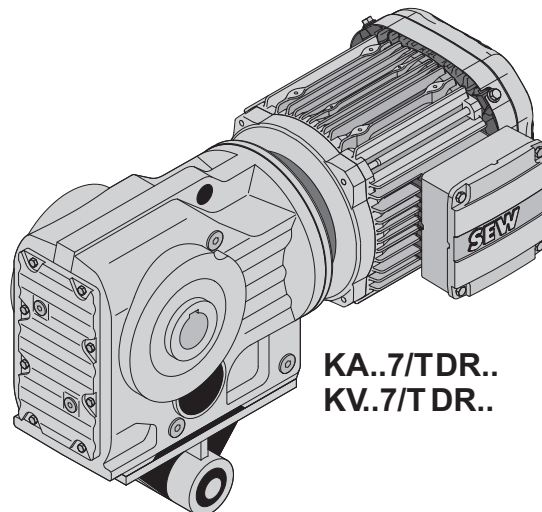
10



KT..7/TDR..



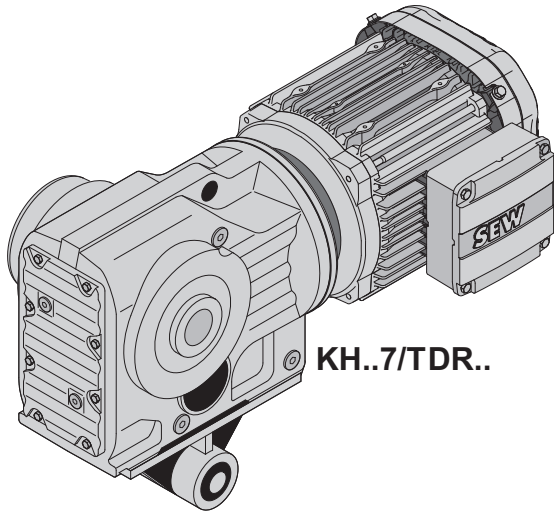
KHF..7DR..



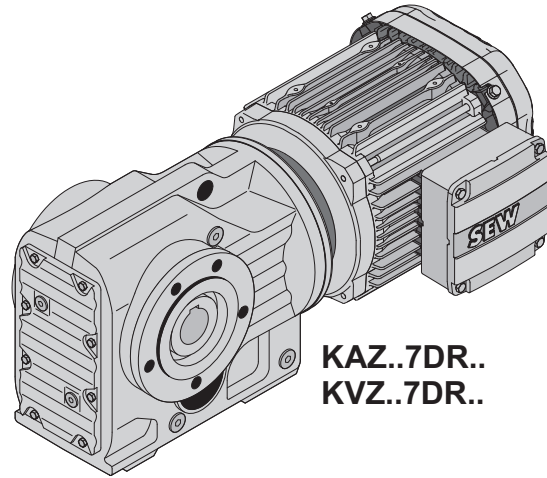
KA..7/TDR..
KV..7/TDR..

9007207919497227

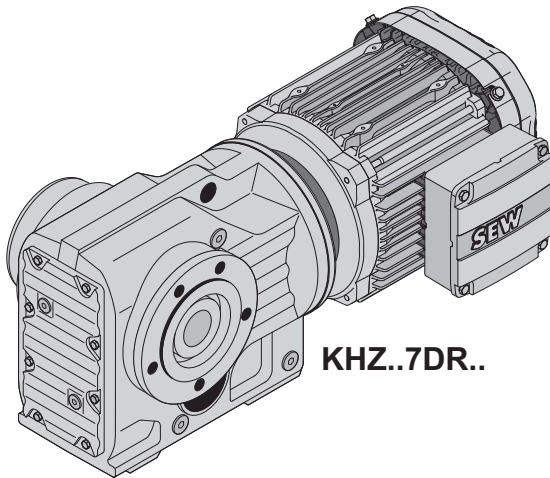
21933480/EN-US - 04/2018



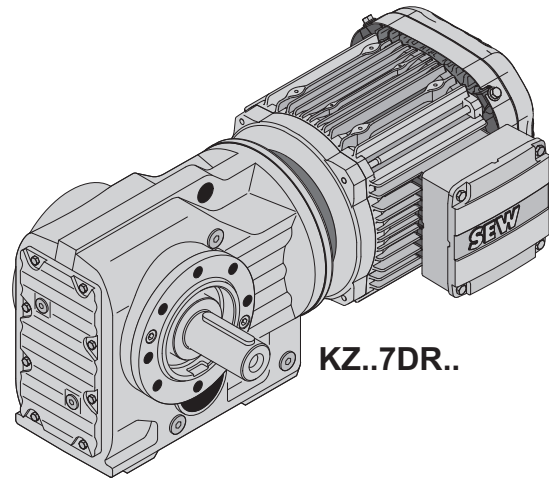
KH..7/TDR..



**KAZ..7DR..
KVZ..7DR..**




KHZ..7DR..




KZ..7DR..

27021606882178955

10.2 K.. DRS/DRN.. Possible combinations


K19, n _e =1700 rpm					705 lb-in		
n _a rpm	T _{aMax} lb-in	F _{Ra} lb	Φ _(/R) °	i	DR63S	DRS71S DRS71M	DRN80M DRN90S
 2							
29	615	970	-	58.68			
32	615	970	-	53.88			
34	615	970	-	49.69			
38	610	970	-	44.48			
42	590	980	-	40.63			
50	565	920	-	34.29			
54	705	890	-	31.74			
58	535	870	-	29.29			
58	705	860	-	29.14			
63	530	850	-	27.16			
63	705	830	-	26.88			
71	705	790	-	24.06			
77	705	765	-	21.98			
92	705	710	-	18.55			
107	705	665	-	15.84			
116	705	645	-	14.69			
134	705	605	-	12.70			
144	695	590	-	11.84			
165	670	560	-	10.32			
177	555	605	-	9.58			
210	705	535	-	8.09			
246	705	500	-	6.91			
265	705	485	-	6.41			
307	705	455	-	5.54			
329	705	440	-	5.16			
378	705	415	-	4.50			



10



K29, n _e =1700 rpm					1150 lb-in				
n _a rpm	T _{aMax} lb-in	F _{Ra} lb	Φ _(/R) °	i	DR63S	DRS71S DRS71M	DRN80M DRN90S	DRN90L	DRN100LM
 2									
24	1150	1120	-	71.93					
26	1150	1120	-	66.25					
28	1150	1120	-	61.28					
31	1150	1100	-	54.89					
34	1150	1060	-	50.35					
40	1130	990	-	42.87					
44	1150	980	-	38.90					
46	1070	940	-	36.96					
47	1150	940	-	35.83					
51	1150	910	-	33.15					
56	1010	880	-	30.11					
57	1150	870	-	29.69					
62	1150	840	-	27.23					
68	960	820	-	24.91					
73	1150	780	-	23.19					
77	920	790	-	22.08					
85	1150	730	-	19.99					
104	1150	665	-	16.29					


21933480/EN-US - 04/2018

K29, n _e =1700 rpm					1150 lb-in				
n _a rpm	T _{aMax} lb-in	F _{Ra} lb	Φ _(/R) °	i	DR63S	DRS71S DRS71M	DRN80M DRN90S	DRN90L	DRN100LM
126	1150	610	-	13.47					
142	1150	575	-	11.94					
172	970	620	-	9.90					
185	1150	505	-	9.17					
199	1070	565	-	8.53					
227	1080	470	-	7.48					
245	990	530	-	6.95					
296	990	490	-	5.75					
333	970	465	-	5.10					
434	1110	390	-	3.92					
533	970	375	-	3.19					

K37, n _e =1700 rpm					1760 lb-in				
n _a rpm	T _{aMax} lb-in	F _{Ra} lb	Φ _(/R) °	i	DR63S DRS71S DRS71M	DRN80M DRN90S	DRN90L	DRN100LM DRN100L	
16	1760	1270	6.8	106.38		 3			
17	1760	1270	6.8	97.81					
20	1760	1210	6.9	83.69					
23	1760	1140	6.9	72.54					
25	1760	1100	6.9	67.80					
29	1760	1030	6.9	58.60					
34	1760	960	7	49.79					
38	1760	900	7	44.46					
45	1760	840	7	37.97					
48	1760	810	7.1	35.57					
57	1760	745	7.1	29.96					
59	1760	730	8.1	28.83					
68	1760	675	8.1	24.99					
73	1720	660	8.2	23.36					
84	1630	630	8.3	20.19					
99	1590	590	8.4	17.15					
111	1540	565	8.5	15.31					
130	1450	535	8.6	13.08					
140	1410	525	11.9	12.14					
162	1410	485	12.2	10.49					
191	1410	445	12.4	8.91					
214	1370	425	12.5	7.96					
250	1320	395	12.8	6.80					
267	1280	390	12.9	6.37					
317	1230	365	13.2	5.36					
427	1100	335	13	3.98					





K37R17, n _e =1700 rpm					1760 lb-in				
n _a rpm	T _{aMax} lb-in	F _{Ra} lb	Φ _(/R) °	i	DR63S DRS71S DRS71M	DRN80M			
0.25	1760	1270	-	6832		 3  3			
0.29	1760	1270	-	5922					
0.31	1760	1270	-	5491					


K37R17, n _e =1700 rpm					1760 lb-in	
n _a rpm	T _{aMax} lb-in	F _{Ra} lb	φ _(/R) '	i	DR63S DRS71S DRS71M	DRN80M
0.36	1760	1270	-	4759		
0.41	1760	1270	-	4160		
0.47	1760	1270	-	3645		
0.53	1760	1270	-	3205		
0.61	1760	1270	-	2801		
0.69	1760	1270	-	2454		
0.78	1760	1270	-	2166		
0.90	1760	1270	-	1891		
1.0	1760	1270	-	1660		
1.2	1760	1270	-	1466		
1.3	1760	1270	-	1288		
1.5	1760	1270	-	1136		
 3  2						
1.7	1760	1270	-	996		
1.9	1760	1270	-	876		
2.2	1760	1270	-	761		
2.5	1760	1270	-	671		
2.9	1760	1270	-	585		
3.3	1760	1270	-	512		
3.8	1760	1270	-	451		
4.3	1760	1270	-	396		
4.9	1760	1270	-	346		
5.6	1760	1270	-	304		
6.4	1760	1270	-	267		
7.3	1760	1270	-	234		
8.3	1760	1270	-	205		
9.4	1760	1270	-	181		
11	1760	1270	-	160		
12	1760	1270	-	136		
13	1760	1270	-	127		
15	1760	1270	-	110		
18	1760	1270	-	96		

K39, n _e =1700 rpm					2650 lb-in				
n _a rpm	T _{aMax} lb-in	F _{Ra} lb	φ _(/R) '	i	DR63S DRS71S DRS71M	DRN80M DRN90S	DRN90L	DRN100LM DRN100L	DRN112M
 2									
29	2650	1650	-	58.24					
34	2650	1530	-	49.69					
39	2650	1440	-	43.45					
41	2650	1400	-	41.28					
47	2650	1320	-	36.22					
55	2650	1220	-	30.72					
61	2650	1160	-	27.73					
70	2650	1090	-	24.40					
74	2650	1050	-	23.04					
87	2610	980	-	19.62					
95	2560	940	-	17.83					
110	2470	890	-	15.44					
126	2380	840	-	13.44					



21933480/EN-US - 04/2018

K39, n _e =1700 rpm					2650 lb-in				
n _a rpm	T _{aMax} lb-in	F _{Ra} lb	φ _(/R) '	i	DR63S DRS71S DRS71M	DRN80M DRN90S	DRN90L	DRN100LM DRN100L	DRN112M
134	2210	1020	-	12.73					
141	2250	990	-	12.09					
160	2520	890	-	10.61					
189	2650	810	-	9.00					
209	2650	770	-	8.12					
238	2650	720	-	7.15					
252	2650	700	-	6.75					
296	2430	675	-	5.75					
326	2300	660	-	5.22					
376	2120	640	-	4.52					
431	1900	630	-	3.94					
605	1500	590	-	2.81					



K39R17, n _e =1700 rpm					2650 lb-in				
n _a rpm	T _{aMax} lb-in	F _{Ra} lb	φ _(/R) '	i	DR63S DRS71S DRS71M	DRN80M			
					 2  3				
0.42	2650	1690	-	4057					
0.50	2650	1690	-	3370					
0.58	2650	1690	-	2906					
0.68	2650	1690	-	2508					
0.72	2650	1690	-	2367					
0.79	2650	1690	-	2162					
0.90	2650	1690	-	1881					
0.96	2650	1690	-	1762					
1.0	2650	1690	-	1622					
1.1	2650	1690	-	1494					
1.3	2650	1690	-	1321					
1.5	2650	1690	-	1169					
1.6	2650	1690	-	1093					
					 2  2				
1.8	2650	1690	-	956					
2.1	2650	1690	-	814					
2.4	2650	1690	-	711					
2.8	2650	1690	-	605					
3.4	2650	1690	-	504					
3.7	2650	1690	-	454					
4.3	2650	1690	-	399					
4.7	2650	1690	-	365					
5.4	2650	1690	-	312					
5.7	2650	1690	-	299					
6.7	2650	1690	-	254					
7.3	2650	1690	-	234					
8.1	2650	1690	-	210					
9.0	2650	1690	-	189					
9.8	2650	1690	-	174					
11	2650	1690	-	156					
12	2650	1690	-	142					
15	2650	1690	-	117					
23	2610	1690	-	75					


K47, n _e =1700 rpm					3530 lb-in			
n _a rpm	T _{aMax} lb-in	F _{Ra} lb	Φ _(/R) °	i	DR63S DRS71S DRS71M	DRN80M DRN90S	DRN90L	DRN100LM DRN100L
 3								
13	3530	1330	6.4	131.87*				
14	3530	1330	6.4	121.48*				
16	3530	1330	6.4	104.37				
19	3530	1330	6.4	90.86				
20	3530	1330	6.4	85.12*				
23	3530	1330	6.5	75.20*				
24	3530	1330	6.5	69.84				
27	3530	1330	6.5	63.30*				
30	3530	1330	6.5	56.83				
35	3530	1330	6.6	48.95*				
37	3530	1330	6.6	46.03*				
43	3530	1310	6.6	39.61				
48	3530	1240	6.7	35.39				
54	3530	1160	7.5	31.30				
58	3530	1120	7.5	29.32				
66	3530	1050	7.6	25.91				
71	3530	1000	7.7	24.06				
78	3530	950	7.7	21.81				
87	3530	890	7.7	19.58				
101	3360	850	7.8	16.86				
107	3360	820	7.9	15.86				
125	3180	780	8	13.65				
139	3090	745	8.3	12.19				
144	2470	820	10.5	11.77				
161	2470	775	10.6	10.56				
187	2470	715	10.7	9.10				
199	2380	705	10.8	8.56				
231	2210	685	11	7.36				
258	2120	660	11.5	6.58				
293	2030	635	11.8	5.81				
366	1810	605	12	4.64				

10





K47R37, n _e =1700 rpm					3530 lb-in			
n _a rpm	T _{aMax} lb-in	F _{Ra} lb	Φ _(/R) °	i	DR63S DRS71S DRS71M	DRN80M DRN90S	DRN90L	DRN100LM DRN100L
 3  3								
0.17	3530	1330	-	10138				
0.20	3530	1330	-	8534				
0.22	3530	1330	-	7662				
0.25	3530	1330	-	6826				
0.28	3530	1330	-	5983				
0.33	3530	1330	-	5159				
0.37	3530	1330	-	4601*				
0.43	3530	1330	-	3940				
0.49	3530	1330	-	3477				
0.56	3530	1330	-	3043				
0.62	3530	1330	-	2733				
0.72	3530	1330	-	2354				
0.82	3530	1330	-	2063				

21933480/EN-US - 04/2018

K47R37, n _e =1700 rpm					3530 lb-in			
n _a rpm	T _{aMax} lb-in	F _{Ra} lb	φ _(/R) °	i	DR63S DRS71S DRS71M	DRN80M DRN90S	DRN90L	DRN100LM DRN100L
0.93	3530	1330	-	1819				
1.1	3530	1330	-	1586				
1.2	3530	1330	-	1388				
 3  2								
1.4	3530	1330	-	1222				
1.5	3530	1330	-	1097				
1.8	3530	1330	-	945				
2.0	3530	1330	-	831*				
2.4	3530	1330	-	718*				
2.7	3530	1330	-	639				
3.1	3530	1330	-	552				
3.4	3530	1330	-	495				
4.0	3530	1330	-	426				
4.5	3530	1330	-	375				
5.2	3530	1330	-	327				
5.9	3530	1330	-	289				
6.6	3530	1330	-	256				
7.6	3530	1330	-	225				
8.6	3530	1330	-	198				
9.9	3530	1330	-	171				
11	3530	1330	-	153				
13	3530	1330	-	131				
15	3530	1330	-	112				
17	3530	1330	-	99				
18	3530	1330	-	94				


K49, n _e =1700 rpm					4420 lb-in					
n _a rpm	T _{aMax} lb-in	F _{Ra} lb	φ _(/R) °	i	DR63S DRS71S DRS71M	DRN80M DRN90S	DRN90L	DRN100LM DRN100L	DRN112M	DRN132S DRN132M
 2										
23	4200	2020	-	75.20						
24	3930	2020	-	70.19						
28	4420	1870	-	60.27						
32	4420	1760	-	52.94						
34	4420	1710	-	50.29						
38	4420	1610	-	44.44						
45	4420	1490	-	37.98						
49	4420	1420	-	34.81						
56	4420	1330	-	30.55						
59	4420	1290	-	28.95						
67	4420	1200	-	25.34						
74	4420	1130	-	22.83						
85	4420	1050	-	20.03						
96	4420	970	-	17.67						
108	4330	920	-	15.67						
127	4150	860	-	13.38						
150	4370	1020	-	11.37						
163	4240	990	-	10.42						
186	4420	910	-	9.14						
196	4420	880	-	8.66						



K49, n _e =1700 rpm					4420 lb-in					
n _a rpm	T _{aMax} lb-in	F _{Ra} lb	φ _(/R) '	i	DR63S DRS71S DRS71M	DRN80M DRN90S	DRN90L	DRN100LM DRN100L	DRN112M	DRN132S DRN132M
224	4420	820	-	7.58						
249	4420	775	-	6.83						
284	4420	580	-	5.99						
321	4290	455	-	5.29						
362	4110	420	-	4.69						
425	3890	370	-	4.00						



K49R37, n _e =1700 rpm					4420 lb-in				
n _a rpm	T _{aMax} lb-in	F _{Ra} lb	φ _(/R) '	i	DR63S DRS71S DRS71M	DRN80M DRN90S	DRN90L	DRN100LM DRN100L	
 2  3									
0.24	4420	2020	-	7137					
0.28	4420	2020	-	5991					
0.33	4420	2020	-	5120					
0.42	4420	2020	-	4034					
0.47	4420	2020	-	3580					
0.55	4420	2020	-	3081					
0.61	4420	2020	-	2773					
0.67	4420	2020	-	2545					
0.72	4420	2020	-	2372					
0.80	4420	2020	-	2118					
0.88	4420	2020	-	1941					
0.98	4420	2020	-	1741					
1.0	4420	2020	-	1632					
1.1	4420	2020	-	1521					
1.4	4420	2020	-	1228					
1.7	4420	2020	-	1000					
 2  2									
1.2	4420	2020	-	1424					
1.3	4420	2020	-	1309					
1.5	4420	2020	-	1120					
1.9	4420	2020	-	908					
2.1	4420	2020	-	802					
2.4	4420	2020	-	701					
2.6	4420	2020	-	645					
2.9	4420	2020	-	595					
3.1	4420	2020	-	543					
3.4	4420	2020	-	501					
3.8	4420	2020	-	449					
4.2	4420	2020	-	401					
4.7	4420	2020	-	360					
5.2	4420	2020	-	330					
5.7	4420	2020	-	300					
6.2	4420	2020	-	274					
7.0	4420	2020	-	243					
7.8	4420	2020	-	217					
8.8	4420	2020	-	193					
9.7	4420	2020	-	176					

21933480/EN-US - 04/2018


K49R37, n_e=1700 rpm					4420 lb-in			
n _a rpm	T _{aMax} lb-in	F _{Ra} lb	Φ _(/R) °	i	DR63S DRS71S DRS71M	DRN80M DRN90S	DRN90L	DRN100LM DRN100L
11	4420	2020	-	152				
14	4420	2020	-	125				
17	4420	2020	-	99				

K57, n_e=1700 rpm					5300 lb-in				
n _a rpm	T _{aMax} lb-in	F _{Ra} lb	Φ _(/R) °	i	DR63S DRS71S DRS71M	DRN80M DRN90S	DRN90L	DRN100LM DRN100L	DRN112M
 3									
12	5300	1720	5.9	145.14*					
14	5300	1720	5.9	123.85					
16	5300	1720	5.9	108.29					
17	5300	1720	5.9	102.88*					
19	5300	1720	5.9	90.26*					
22	5300	1720	5.9	76.56*					
25	5300	1720	6	69.12					
28	5300	1720	6	60.81*					
30	5300	1720	6	57.42*					
35	5300	1720	6	48.89					
38	5300	1720	6.1	44.43					
44	5300	1680	6.1	38.49					
48	5300	1620	6.8	35.70					
56	5300	1480	6.9	30.28					
62	5300	1400	6.9	27.34					
71	5300	1310	6.9	24.05					
75	5300	1270	6.9	22.71					
88	5080	1190	7	19.34					
97	4910	1160	7.2	17.57					
112	4730	1090	7.3	15.22					
128	4510	1050	7.4	13.25					
143	3670	1040	9.4	11.92					
151	3670	1010	9.5	11.26					
177	3580	940	9.6	9.59					
195	3450	910	10	8.71					
225	3220	880	10.2	7.55					
259	3050	850	10.4	6.57					
362	2650	770	11	4.69					

K57R37, n_e=1700 rpm					5300 lb-in				
n _a rpm	T _{aMax} lb-in	F _{Ra} lb	Φ _(/R) °	i	DR63S DRS71S DRS71M	DRN80M DRN90S	DRN90L	DRN100LM DRN100L	
 3  3									
0.14	5300	1720	-	12169					
0.15	5300	1720	-	11162*					
0.18	5300	1720	-	9503					
0.20	5300	1720	-	8547					
0.23	5300	1720	-	7277					
0.26	5300	1720	-	6478*					
0.30	5300	1720	-	5662*					
0.34	5300	1720	-	5033					





K57R37, n _e =1700 rpm					5300 lb-in			
n _a rpm	T _{aMax} lb-in	F _{Ra} lb	φ _(/R) '	i	DR63S DRS71S DRS71M	DRN80M DRN90S	DRN90L	DRN100LM DRN100L
0.39	5300	1720	-	4340				
0.44	5300	1720	-	3854				
0.50	5300	1720	-	3390				
0.58	5300	1720	-	2924				
0.66	5300	1720	-	2593				
0.76	5300	1720	-	2249				
0.86	5300	1720	-	1986				
 3  2								
0.98	5300	1720	-	1743				
1.1	5300	1720	-	1539				
1.3	5300	1720	-	1354				
1.4	5300	1720	-	1174				
1.6	5300	1720	-	1036*				
1.9	5300	1720	-	906*				
2.1	5300	1720	-	806				
2.4	5300	1720	-	699				
2.8	5300	1720	-	615				
3.1	5300	1720	-	544*				
3.6	5300	1720	-	473				
4.0	5300	1720	-	421				
4.7	5300	1720	-	362				
5.3	5300	1720	-	319				
6.1	5300	1720	-	280				
6.9	5300	1720	-	246				
7.9	5300	1720	-	215				
8.9	5300	1720	-	192				
10	5300	1720	-	166				
12	5300	1720	-	145				
13	5300	1720	-	129				
15	5300	1720	-	111				
18	5300	1720	-	97				

10


K67, n _e =1700 rpm					7250 lb-in					
n _a rpm	T _{aMax} lb-in	F _{Ra} lb	φ _(/R) '	i	DR63S DRS71S DRS71M	DRN80M DRN90S	DRN90L	DRN100LM DRN100L	DRN112M	DRN132S DRN132M
 3										
12	7250	2320	6.2	144.79*						
14	7250	2320	6.2	123.54						
16	7250	2320	6.1	108.03						
17	7250	2320	6.1	102.62						
19	7250	2320	6.2	90.04						
22	7250	2320	6.2	76.37						
25	7250	2320	6.2	68.95						
28	7250	2320	6.2	60.66						
30	7250	2320	6.2	57.28						
35	7250	2320	6.3	48.77						
38	7250	2320	6.3	44.32						
44	7070	2360	6.4	38.39						
48	7250	2320	7.1	35.62						
56	7250	2320	7.1	30.22						

21933480/EN-US - 04/2018



K67, n _e =1700 rpm					7250 lb-in					
n _a rpm	T _{aMax} lb-in	F _{Ra} lb	φ _(R) °	i	DR63S DRS71S DRS71M	DRN80M DRN90S	DRN90L	DRN100LM DRN100L	DRN112M	DRN132S DRN132M
62	7250	2320	7.1	27.28						
71	7070	2360	7.2	24.00						
75	6900	2390	7.2	22.66						
88	6720	2430	7.3	19.30						
97	6540	2470	7.5	17.54						
112	6190	2530	7.5	15.19						
129	5920	2560	7.6	13.22						
136	4680	2570	8.6	12.48						
160	4420	2460	8.8	10.63						
176	4240	2390	9.1	9.66						
203	3890	2320	9.3	8.37						
234	3710	2230	9.4	7.28						
327	3090	2060	10	5.20						

K67R37, n _e =1700 rpm					7250 lb-in			
n _a rpm	T _{aMax} lb-in	F _{Ra} lb	φ _(R) °	i	DR63S DRS71S DRS71M	DRN80M DRN90S	DRN90L	DRN100LM DRN100L
					 3  3			
0.14	7250	2320	-	12139				
0.15	7250	2320	-	11134				
0.18	7250	2320	-	9479				
0.21	7250	2320	-	8173				
0.23	7250	2320	-	7259				
0.26	7250	2320	-	6462				
0.30	7250	2320	-	5648				
0.35	7250	2320	-	4846				
0.39	7250	2320	-	4329				
0.45	7250	2320	-	3750				
0.51	7250	2320	-	3315				
0.58	7250	2320	-	2917				
0.67	7250	2320	-	2532				
0.76	7250	2320	-	2244				
0.86	7250	2320	-	1981				
					 3  2			
0.98	7250	2320	-	1739				
1.1	7250	2320	-	1535				
1.3	7250	2320	-	1351				
1.5	7250	2320	-	1171				
1.6	7250	2320	-	1034				
1.9	7250	2320	-	903				
2.1	7250	2320	-	793				
2.4	7250	2320	-	697				
2.8	7250	2320	-	613				
3.1	7250	2320	-	542				
3.6	7250	2320	-	471				
4.0	7250	2320	-	420				
4.7	7250	2320	-	361				
5.3	7250	2320	-	323				
6.1	7250	2320	-	279				
6.9	7250	2320	-	246				



K67R37, n _e =1700 rpm					7250 lb-in			
n _a rpm	T _{aMax} lb-in	F _{Ra} lb	φ _(/R) °	i	DR63S DRS71S DRS71M	DRN80M DRN90S	DRN90L	DRN100LM DRN100L
7.8	7250	2320	-	217				
8.9	7250	2320	-	191				
10	7250	2320	-	166				
12	7250	2320	-	144				
14	7250	2320	-	122				


K77, n _e =1700 rpm					13700 lb-in						
n _a rpm	T _{aMax} lb-in	F _{Ra} lb	φ _(/R) °	i	DR63S DRS71S DRS71M	DRN80M DRN90S	DRN90L	DRN100LM DRN100L	DRN112M	DRN132S DRN132M	DRN132L DRN160M DRN160L
 3											
8.8	12800	3610	5.4	192.18							
9.5	12800	3610	5.4	179.37							
11	13700	3460	5.4	154.02							
13	13700	3460	5.4	135.28							
13	13700	3460	5.4	128.52							
15	13700	3460	5.4	113.56							
18	13700	3460	5.4	97.05							
19	13700	3460	5.4	88.97							
22	13700	3460	5.4	78.07							
23	13700	3460	5.4	73.99							
26	13700	3460	5.5	64.75							
29	13700	3460	5.5	58.34							
33	13700	3460	5.5	51.18							
38	13700	3460	5.5	45.16							
42	13700	3460	5.6	40.04							
44	13200	3530	6	38.39							
48	13700	3460	6	35.20							
55	13700	3460	6.1	30.89							
58	13700	3460	6.1	29.27							
66	13700	3460	6.1	25.62							
74	13700	3460	6.3	23.08							
84	13200	3460	6.3	20.25							
95	12800	3330	6.3	17.87							
107	12300	3210	6.4	15.84							
126	11800	3060	6.5	13.52							
138	8840	3140	7.9	12.36							
157	8750	2990	7.8	10.84							
178	8310	2890	7.9	9.56							
200	7870	2810	8.2	8.48							
235	7250	2710	8.3	7.24							

10

K77R37, n _e =1700 rpm					13700 lb-in			
n _a rpm	T _{aMax} lb-in	F _{Ra} lb	φ _(/R) °	i	DR63S DRS71S DRS71M	DRN80M DRN90S	DRN90L	DRN100LM DRN100L
 3  3								
0.11	13700	3460	-	15310				
0.12	13700	3460	-	14043				
0.14	13700	3460	-	11955				
0.17	13700	3460	-	10217				





21933480/EN-US - 04/2018

K77R37, n _e =1700 rpm					13700 lb-in			
n _a rpm	T _{aMax} lb-in	F _{Ra} lb	φ _(/R) °	i	DR63S DRS71S DRS71M	DRN80M DRN90S	DRN90L	DRN100LM DRN100L
0.19	13700	3460	-	8809				
0.23	13700	3460	-	7528				
0.26	13700	3460	-	6606				
0.29	13700	3460	-	5774				
0.33	13700	3460	-	5089				
0.38	13700	3460	-	4489				
0.43	13700	3460	-	3961				
0.49	13700	3460	-	3485				
0.59	13700	3460	-	2901				
0.63	13700	3460	-	2717				
0.72	13700	3460	-	2370				
 3  2								
0.83	13700	3460	-	2050				
0.96	13700	3460	-	1772				
1.1	13700	3460	-	1514				
1.2	13700	3460	-	1388				
1.4	13700	3460	-	1218				
1.6	13700	3460	-	1053				
1.8	13700	3460	-	924				
2.1	13700	3460	-	815				
2.4	13700	3460	-	709				
2.7	13700	3460	-	622				
3.1	13700	3460	-	552				
3.5	13700	3460	-	485				
4.0	13700	3460	-	428				
4.6	13700	3460	-	367				
5.2	13700	3460	-	328				
5.9	13700	3460	-	290				
6.7	13700	3460	-	252				
7.7	13700	3460	-	221				
8.7	13700	3460	-	195				
9.7	13700	3460	-	175				
11	13700	3460	-	154				

K87, n _e =1700 rpm					23800 lb-in								
n _a rpm	T _{aMax} lb-in	F _{Ra} lb	φ _(/R) °	i	DRS71M	DRN80M DRN90S	DRN90L	DRN100LM DRN100L	DRN112M	DRN132S DRN132M	DRN132L DRN160M DRN160L	DRN180M DRN180L	DRN200L
 3													
8.6	23800	6130	5.3	197.37									
9.8	23800	6130	5.3	174.19									
10	23800	6130	5.3	164.34*									
12	23800	6130	5.4	147.32*									
13	23800	6130	5.4	126.91*									
15	23800	6130	5.4	115.82									
17	23800	6130	5.4	102.71*									
20	23800	6130	5.4	86.34									
21	23800	5970	5.4	79.34									
24	23800	5670	5.4	70.46									
27	23800	5410	5.4	63.00*									
30	23800	5160	5.5	56.64									


K87, n _e =1700 rpm					23800 lb-in								
n _a rpm	T _{aMax} lb-in	F _{Ra} lb	Φ _(/R) °	i	DRS71M	DRN80M DRN90S	DRN90L	DRN100LM DRN100L	DRN112M	DRN132S DRN132M	DRN132L DRN160M DRN160L	DRN180M DRN180L	DRN200L
35	23800	4840	5.5	49.16									
39	23000	4700	5.5	44.02									
47	22100	4400	5.5	36.52*									
54	23800	3930	6.1	31.39									
61	23000	3790	6.1	27.88									
68	22100	3680	6.1	24.92									
76	20300	3680	6.2	22.41									
87	20300	3440	6.3	19.45									
98	19400	3350	6.3	17.42									
106	15900	3290	6.5	16.00									
118	18500	3150	6.4	14.45									
135	17600	3030	6.5	12.56									
152	13200	3080	6.7	11.17									
170	13200	2920	6.8	10.00									
205	12300	2780	7	8.29									
236	11500	2720	7.1	7.21									



10



K87R57, n _e =1700 rpm					23800 lb-in					
n _a rpm	T _{aMax} lb-in	F _{Ra} lb	Φ _(/R) °	i	DR63S DRS71S DRS71M	DRN80M DRN90S	DRN90L	DRN100LM DRN100L	DRN112M	DRN132S DRN132M
 3  3										
0.11	23800	6130	-	14829						
0.13	23800	6130	-	13168						
0.14	23800	6130	-	11737						
0.17	23800	6130	-	10217						
0.19	23800	6130	-	9073						
0.22	23800	6130	-	7854						
0.25	23800	6130	-	6832						
0.29	23800	6130	-	5930						
0.32	23800	6130	-	5240						
0.37	23800	6130	-	4562						
0.42	23800	6130	-	4037						
0.47	23800	6130	-	3609						
0.55	23800	6130	-	3107						
0.62	23800	6130	-	2728						
0.72	23800	6130	-	2371						
 3  2										
0.81	23800	6130	-	2088						
0.92	23800	6130	-	1854						
1.0	23800	6130	-	1657						
1.2	23800	6130	-	1415						
1.4	23800	6130	-	1229						
1.6	23800	6130	-	1078						
1.8	23800	6130	-	951						
2.0	23800	6130	-	837						
2.3	23800	6130	-	726						
2.7	23800	6130	-	638						
3.0	23800	6130	-	562*						
3.6	23800	6130	-	474*						
4.0	23800	6130	-	426						

21933480/EN-US - 04/2018


K87R57, n _e =1700 rpm					23800 lb-in					
n _a rpm	T _{aMax} lb-in	F _{Ra} lb	Φ _(/R) °	i	DR63S DRS71S DRS71M	DRN80M DRN90S	DRN90L	DRN100LM DRN100L	DRN112M	DRN132S DRN132M
4.6	23800	6130	-	373						
5.2	23800	6130	-	330						
5.8	23800	6130	-	294						
6.8	23800	6130	-	250						
7.2	23800	6130	-	236						
8.5	23800	6130	-	201						
9.3	23800	6130	-	183						
11	23800	6130	-	159						
12	23000	6160	-	141						

K97, n _e =1700 rpm					38000 lb-in							
n _a rpm	T _{aMax} lb-in	F _{Ra} lb	Φ _(/R) °	i	DRN80M DRN90S	DRN90L	DRN100LM DRN100L	DRN112M	DRN132S DRN132M	DRN132L DRN160M DRN160L	DRN180M DRN180L	DRN200L DRN225S
 3												
9.7	38000	8990	6.8	176.05*								
11	38000	8990	6.8	153.21*								
12	38000	8990	6.8	140.28								
14	38000	8990	6.8	123.93*								
16	38000	8710	6.8	105.13								
18	38000	8420	6.8	96.80								
20	38000	8030	6.8	86.52								
22	38000	7670	6.8	77.89*								
24	38000	7350	6.9	70.54								
27	38000	6970	6.9	62.55								
30	38000	6660	6.9	56.55								
35	38000	6180	6.9	47.93*								
41	38000	5800	6.9	41.87								
44	38000	5560	7.4	38.30								
50	38000	5260	7.5	34.23								
55	38000	5000	7.5	30.82								
61	38000	4750	7.5	27.91								
69	38000	4460	7.6	24.75								
76	38000	4230	7.6	22.37								
90	38000	3860	7.6	18.96								
103	38000	3580	7.7	16.56								
123	38000	3220	7.7	13.85								
142	34400	3260	7.8	11.99								
163	25300	3320	9.7	10.41								
195	23500	3200	9.8	8.71								
225	21200	3210	10	7.54								

K97R57, n _e =1700 rpm					38000 lb-in						
n _a rpm	T _{aMax} lb-in	F _{Ra} lb	Φ _(/R) °	i	DR63S DRS71S DRS71M	DRN80M DRN90S	DRN90L	DRN100LM DRN100L	DRN112M	DRN132S DRN132M	
 3  3											
0.09	38000	8990	-	18091							
0.10	38000	8990	-	16666							
0.11	38000	8990	-	14897							
0.13	38000	8990	-	13182							





K97R57, n _e =1700 rpm					38000 lb-in					
n _a rpm	T _{aMax} lb-in	F _{Ra} lb	φ _(/R) °	i	DR63S DRS71S DRS71M	DRN80M DRN90S	DRN90L	DRN100LM DRN100L	DRN112M	DRN132S DRN132M
0.15	38000	8990	-	11677						
0.16	38000	8990	-	10317						
0.19	38000	8990	-	9083						
0.21	38000	8990	-	8054						
0.24	38000	8990	-	6970						
0.28	38000	8990	-	6027						
0.32	38000	8990	-	5391						
0.36	38000	8990	-	4669						
0.42	38000	8990	-	4082						
0.47	38000	8990	-	3583						
0.55	38000	8990	-	3108*						
0.62	38000	8990	-	2757						
 3  2										
0.70	38000	8990	-	2419						
0.80	38000	8990	-	2123						
0.92	38000	8990	-	1856						
1.0	38000	8990	-	1625						
1.2	38000	8990	-	1430						
1.3	38000	8990	-	1261						
1.5	38000	8990	-	1102						
1.8	38000	8990	-	957						
2.0	38000	8990	-	855						
2.3	38000	8990	-	743						
2.6	38000	8990	-	652*						
3.0	38000	8990	-	573						
3.4	38000	8990	-	504						
3.9	38000	8990	-	437						
4.5	38000	8990	-	382*						
5.0	38000	8990	-	342*						
5.6	38000	8990	-	305						
6.6	38000	8990	-	258						
7.3	38000	8990	-	232						
8.5	38000	8990	-	199						

10


K107, n _e =1700 rpm					70700 lb-in						
n _a rpm	T _{aMax} lb-in	F _{Ra} lb	φ _(/R) °	i	DRN100LM DRN100L	DRN112M	DRN132S DRN132M	DRN132L DRN160M DRN160L	DRN180M DRN180L	DRN200L DRN225S DRN225M	DRN250ME
 3											
12	70700	13600	5.7	143.47*							
14	70700	12600	5.7	121.46							
15	70700	12100	5.8	112.41*							
17	70700	11500	5.8	100.75							
19	70700	10900	5.8	90.96*							
21	70700	10300	5.8	82.61							
23	70700	9680	5.8	73.30							
26	70700	9150	5.8	66.52*							
30	70700	8360	5.8	57.17*							
34	69300	7840	5.8	49.90							
40	65100	7580	5.8	42.33*							
46	63700	7130	5.8	37.00*							

21933480/EN-US - 04/2018



K107, n _e =1700 rpm					70700 lb-in							
n _a rpm	T _{aMax} lb-in	F _{Ra} lb	Φ _(/R) °	i	DRN100LM DRN100L	DRN112M	DRN132S DRN132M	DRN132L DRN160M DRN160L	DRN180M DRN180L	DRN200L DRN225S DRN225M	DRN250ME	
52	63700	6570	6.4	32.69								
54	60100	6840	5.9	31.28*								
59	63700	6040	6.5	29.00								
65	63700	5620	6.4	26.32								
75	63700	4970	6.5	22.62								
86	63700	4400	6.5	19.74								
101	62300	3920	6.5	16.75								
116	60900	3600	6.6	14.64								
127	38000	6010	8.8	13.43								
145	38000	5640	8.8	11.73								
171	37000	5290	8.9	9.94								
196	36000	5050	9	8.69								
231	31800	5010	9	7.35								

K107R77, n _e =1700 rpm					70700 lb-in							
n _a rpm	T _{aMax} lb-in	F _{Ra} lb	Φ _(/R) °	i	DR63S DRS71S DRS71M	DRN80M DRN90S	DRN90L	DRN100LM DRN100L	DRN112M	DRN132S DRN132M	DRN132L DRN160M DRN160L	
 3  3												
0.12	70700	14600	-	14311*								
0.14	70700	14600	-	12211								
0.16	70700	14600	-	10677								
0.18	70700	14600	-	9524								
0.20	70700	14600	-	8328								
0.23	70700	14600	-	7270								
0.27	70700	14600	-	6184								
0.30	70700	14600	-	5662								
0.33	70700	14600	-	5138								
0.39	70700	14600	-	4359*								
0.45	70700	14600	-	3810*								
0.51	70700	14600	-	3358								
0.57	70700	14600	-	2977*								
0.65	70700	14600	-	2599								
0.74	70700	14600	-	2286								
0.88	70700	14600	-	1939								
 3  2												
0.99	70700	14600	-	1713								
1.1	70700	14600	-	1554								
1.3	70700	14600	-	1336*								
1.5	70700	14600	-	1166								
1.7	70700	14600	-	1030								
1.9	70700	14600	-	904								
2.1	70700	14600	-	793*								
2.4	70700	14600	-	696*								
2.8	70700	14600	-	615								
3.3	70700	14600	-	522								
3.7	70700	14600	-	461*								
4.2	70700	14600	-	408*								
4.7	70700	14600	-	364								
5.3	70700	14600	-	318								
5.9	70700	14600	-	286*								



K107R77, n _e =1700 rpm					70700 lb-in						
n _a rpm	T _{aMax} lb-in	F _{Ra} lb	Φ _(/R) '	i	DR63S DRS71S DRS71M	DRN80M DRN90S	DRN90L	DRN100LM DRN100L	DRN112M	DRN132S DRN132M	DRN132L DRN160M DRN160L
6.8	70700	14600	-	251							
7.7	70700	14600	-	222*							
8.7	70700	14600	-	196*							
9.8	63700	14600	-	174							
11	63700	14600	-	154							
12	63700	14100	-	140							



K127, n _e =1700 rpm					115000 lb-in				
n _a rpm	T _{aMax} lb-in	F _{Ra} lb	Φ _(/R) '	i	DRN132S DRN132M	DRN132L DRN160M DRN160L	DRN180M DRN180L	DRN200L DRN225S DRN225M	DRN250ME DRN280S DRN280M
 3									
12	115000	17800	5.2	146.07					
12	115000	17800	5.2	136.14					
14	115000	17700	5.2	122.48					
15	115000	16900	5.2	110.18					
19	115000	15500	5.2	89.89					
21	115000	14900	5.3	81.98					
24	115000	13900	5.3	70.95*					
27	115000	13200	5.3	62.60					
31	115000	12300	5.3	54.07					
36	115000	11600	5.3	47.82					
42	115000	10600	5.3	40.19					
47	115000	10100	5.6	36.25					
54	115000	9320	5.6	31.37					
61	115000	8710	5.7	27.68					
71	115000	7940	5.7	23.91					
80	115000	7200	5.7	21.15					
96	115000	6160	5.8	17.77					
118	107000	5880	5.8	14.35					
133	75400	7190	8	12.79					
158	70700	6880	8.1	10.74					
196	63900	6630	8.1	8.68					


10

K127R77, n _e =1700 rpm					115000 lb-in						
n _a rpm	T _{aMax} lb-in	F _{Ra} lb	Φ _(/R) '	i	DR63S DRS71S DRS71M	DRN80M DRN90S	DRN90L	DRN100LM DRN100L	DRN112M	DRN132S DRN132M	DRN132L DRN160M DRN160L
 3  3											
0.10	115000	17800	-	17550							
0.11	115000	17800	-	16006							
0.11	115000	17800	-	14975							
0.14	115000	17800	-	12440							
0.16	115000	17800	-	10915							
0.17	115000	17800	-	9819							
0.20	115000	17800	-	8443							
0.23	115000	17800	-	7482							
0.26	115000	17800	-	6565							
0.29	115000	17800	-	5804							
0.34	115000	17800	-	5027							
0.38	115000	17800	-	4423							





21933480/EN-US - 04/2018

K127R77, n _e =1700 rpm					115000 lb-in							
n _a rpm	T _{aMax} lb-in	F _{Ra} lb	φ _(/R) '	i	DR63S DRS71S DRS71M	DRN80M DRN90S	DRN90L	DRN100LM DRN100L	DRN112M	DRN132S DRN132M	DRN132L DRN160M DRN160L	
0.44	115000	17800	-	3889								
0.51	115000	17800	-	3311								
0.56	115000	17800	-	3009								
0.65	115000	17800	-	2607								
0.75	115000	17800	-	2268								
 3  2												
0.88	115000	17800	-	1926								
0.97	115000	17800	-	1757								
1.1	115000	17800	-	1541								
1.3	115000	17800	-	1342								
1.4	115000	17800	-	1177								
1.7	115000	17800	-	1025								
1.9	115000	17800	-	899								
2.2	115000	17800	-	790								
2.4	115000	17800	-	704								
2.8	115000	17800	-	610								
3.1	115000	17800	-	549								
3.6	115000	17800	-	477								
4.1	115000	17800	-	418								



K127R87, n _e =1700 rpm					115000 lb-in							
n _a rpm	T _{aMax} lb-in	F _{Ra} lb	φ _(/R) '	i	DRN80M DRN90S	DRN90L	DRN100LM DRN100L	DRN112M	DRN132S DRN132M	DRN132L DRN160M DRN160L	DRN180M DRN180L	DRN200L
 3  2												
3.2	115000	17800	-	536								
3.6	115000	17800	-	473								
4.1	115000	17800	-	418								
4.6	115000	17800	-	367								
5.2	115000	17800	-	330								
5.9	115000	17800	-	287								
6.7	115000	17800	-	253								
8.0	115000	17800	-	213								
8.5	106100	17900	-	200								
10	106100	17900	-	166								
12	106100	17900	-	147								


K157, n _e =1700 rpm					159200 lb-in						
n _a rpm	T _{aMax} lb-in	F _{Ra} lb	φ _(/R) '	i	DRN132L DRN160M DRN160L	DRN180M DRN180L	DRN200L DRN225S DRN225M	DRN250ME DRN280S DRN280M	DRN315S DRN315ME	DRN315L DRN315H	
 3											
11	159200	24100	5.2	150.41							
14	159200	22100	5.2	122.39							
17	159200	20300	5.2	100.22							
19	159200	19500	5.2	91.65							
21	159200	18300	5.2	79.75							
24	159200	17400	5.2	70.38							
28	159200	16300	5.2	61.02							
31	159200	15400	5.2	54.29							
36	159200	14300	5.2	46.79							



K157, n _e =1700 rpm					159200 lb-in					
n _a rpm	T _{aMax} lb-in	F _{Ra} lb	Φ _(/R) °	i	DRN132L DRN160M DRN160L	DRN180M DRN180L	DRN200L DRN225S DRN225M	DRN250ME DRN280S DRN280M	DRN315S DRN315ME	DRN315L DRN315H
45	159200	12900	5.3	38.02						
54	159200	11700	5.6	31.30						
62	159200	10900	5.6	27.62						
71	159200	10100	5.6	23.95						
80	159200	9450	5.6	21.31						
93	159200	8660	5.7	18.37						
114	159200	7600	5.8	14.92						
134	150400	7300	5.8	12.65						



K157R97, n _e =1700 rpm					159200 lb-in								
n _a rpm	T _{aMax} lb-in	F _{Ra} lb	Φ _(/R) °	i	DRS71M	DRN80M DRN90S	DRN90L	DRN100LM DRN100L	DRN112M	DRN132S DRN132M	DRN132L DRN160M DRN160L	DRN180M DRN180L	DRN200L DRN225S
 3  3													
0.10	159200	25200	-	17679									
0.11	159200	25200	-	15729									
0.12	159200	25200	-	14721									
0.13	159200	25200	-	13097									
0.15	159200	25200	-	11368									
0.17	159200	25200	-	10114									
0.19	159200	25200	-	8718									
0.22	159200	25200	-	7734									
0.25	159200	25200	-	6881									
0.29	159200	25200	-	5931									
0.34	159200	25200	-	5074									
0.38	159200	25200	-	4514									
0.43	159200	25200	-	3979									
0.48	159200	25200	-	3516									
0.56	159200	25200	-	3051									
0.65	159200	25200	-	2610									
0.73	159200	25200	-	2322									
0.84	159200	25200	-	2029									
0.94	159200	25200	-	1805									
 3  2													
1.0	159200	25200	-	1659									
1.2	159200	25200	-	1365									
1.4	159200	25200	-	1229*									
1.6	159200	25200	-	1093*									
1.8	159200	25200	-	942									
2.0	159200	25200	-	854									
2.2	159200	25200	-	756*									
2.6	159200	25200	-	661									
3.0	159200	25200	-	567									
3.4	159200	25200	-	504									
3.9	159200	25200	-	434*									
4.5	159200	25200	-	379									
5.1	159200	25200	-	333									
5.8	159200	25200	-	291									



21933480/EN-US - 04/2018


K157R107, n _e =1700 rpm					159200 lb-in						
n _a rpm	T _{aMax} lb-in	F _{Ra} lb	Φ _(/R) °	i	DRN100LM DRN100L	DRN112M	DRN132S DRN132M	DRN132L DRN160M DRN160L	DRN180M DRN180L	DRN200L DRN225S DRN225M	DRN250ME
 3  2											
4.4	159200	25200	-	385							
5.2	159200	25200	-	325							
5.7	159200	25200	-	299							
6.7	159200	25200	-	253							
7.4	159200	25200	-	230							
8.0	159200	25200	-	213							
9.1	159200	25200	-	187							
11	159200	24500	-	157							
14	159200	22100	-	122							
16	159200	20900	-	107							

K167, n _e =1700 rpm					283100 lb-in					
n _a rpm	T _{aMax} lb-in	F _{Ra} lb	Φ _(/R) °	i	DRN132L DRN160M DRN160L	DRN180M DRN180L	DRN200L DRN225S DRN225M	DRN250ME DRN280S DRN280M	DRN315S DRN315ME	DRN315L DRN315H
 3										
10	283100	33700	4.5	164.50						
13	283100	33700	4.5	134.99						
15	283100	33500	4.5	109.83						
19	283100	30500	4.5	87.86						
22	283100	28900	4.5	78.14						
25	283100	27200	4.5	68.07						
28	283100	25900	4.5	60.74						
33	283100	24100	4.6	51.77						
40	283100	22000	4.6	42.89						
46	283100	20400	4.6	36.61						
53	283100	19100	4.8	32.25						
59	283100	18000	4.8	28.77						
69	283100	16600	4.9	24.52						
84	283100	14900	4.9	20.32						
98	283100	13600	5	17.34						

K167R97, n _e =1700 rpm					283100 lb-in								
n _a rpm	T _{aMax} lb-in	F _{Ra} lb	Φ _(/R) °	i	DRS71M	DRN80M DRN90S	DRN90L	DRN100LM DRN100L	DRN112M	DRN132S DRN132M	DRN132L DRN160M DRN160L	DRN180M DRN180L	DRN200L DRN225S
 3  3													
0.09	283100	33700	-	19723									
0.10	283100	33700	-	17406									
0.11	283100	33700	-	15000									
0.13	283100	33700	-	13238									
0.15	283100	33700	-	11573									
0.17	283100	33700	-	10264									
0.20	283100	33700	-	8628									
0.26	283100	33700	-	6562									
0.32	283100	33700	-	5355									
0.36	283100	33700	-	4788									
0.42	283100	33700	-	4079									
0.50	283100	33700	-	3376									
0.62	283100	33700	-	2755									

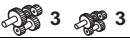

K167R97, n _e =1700 rpm						283100 lb-in							
n _a rpm	T _{aMax} lb-in	F _{Ra} lb	Φ _(/R) '	i	DRS71M	DRN80M DRN90S	DRN90L	DRN100LM DRN100L	DRN112M	DRN132S DRN132M	DRN132L DRN160M DRN160L	DRN180M DRN180L	DRN200L DRN225S
0.75	283100	33700	-	2263									
 3  2													
0.78	283100	33700	-	2182									
1.00	283100	33700	-	1704									
1.2	283100	33700	-	1408									
1.3	283100	33700	-	1296									
1.5	283100	33700	-	1101									
1.8	283100	33700	-	944									
2.0	283100	33700	-	843									
2.2	283100	33700	-	757									
2.7	283100	33700	-	632									
3.0	283100	33700	-	561									
3.5	283100	33700	-	481									
4.0	283100	33700	-	423									
4.6	283100	33700	-	369									


K167R107, n _e =1700 rpm						283100 lb-in					
n _a rpm	T _{aMax} lb-in	F _{Ra} lb	Φ _(/R) '	i	DRN100LM DRN100L	DRN112M	DRN132S DRN132M	DRN132L DRN160M DRN160L	DRN180M DRN180L	DRN200L DRN225S DRN225M	DRN250ME
 3  2											
5.3	283100	33700	-	318							
6.1	283100	33700	-	278							
7.0	283100	33700	-	244							
8.0	283100	33700	-	213							
8.3	283100	33700	-	206							
9.4	283100	33700	-	180							
11	283100	33700	-	160							
13	283100	33700	-	135							
14	283100	33700	-	118							

K187, n _e =1700 rpm						442300 lb-in					
n _a rpm	T _{aMax} lb-in	F _{Ra} lb	Φ _(/R) '	i	DRN132L DRN160M DRN160L	DRN180M DRN180L	DRN200L DRN225S DRN225M	DRN250ME DRN280S DRN280M	DRN315S DRN315ME	DRN315L DRN315H	
 3											
9.5	442300	42700	3.8	179.86							
10	442300	42700	3.8	165.21							
12	442300	40800	3.8	144.59							
13	442300	38900	3.8	129.69							
15	442300	36600	3.8	112.60							
17	442300	35000	3.8	102.16							
19	442300	32700	3.8	88.00							
23	442300	30200	3.8	73.96							
27	442300	28200	3.8	64.04							
32	442300	25800	3.9	53.36							
37	442300	23700	3.9	45.50*							
40	442300	22900	4.1	42.51							
44	442300	21800	4.1	38.57							
51	442300	20000	4.2	33.23							
61	442300	18100	4.2	27.92							

21933480/EN-US - 04/2018

K187, n _e =1700 rpm						442300 lb-in				
n _a rpm	T _{aMax} lb-in	F _{Ra} lb	Φ _(/R) °	i	DRN132L DRN160M DRN160L	DRN180M DRN180L	DRN200L DRN225S DRN225M	DRN250ME DRN280S DRN280M	DRN315S DRN315ME	DRN315L DRN315H
70	421100	17500	4.2	24.18						
84	388400	16900	4.3	20.15						
99	366300	16300	4.3	17.18						

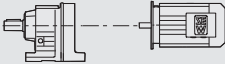

K187R97, n _e =1700 rpm						442300 lb-in							
n _a rpm	T _{aMax} lb-in	F _{Ra} lb	Φ _(/R) °	i	DRS71M	DRN80M DRN90S	DRN90L	DRN100LM DRN100L	DRN112M	DRN132S DRN132M	DRN132L DRN160M DRN160L	DRN180M DRN180L	DRN200L DRN225S
 3 3													
0.05	442300	42700	-	32625									
0.06	442300	42700	-	27165									
0.07	442300	42700	-	24353									
0.09	442300	42700	-	19144									
0.10	442300	42700	-	16978									
0.12	442300	42700	-	14272									
0.13	442300	42700	-	13116									
0.15	442300	42700	-	11647									
0.16	442300	42700	-	10413									
0.18	442300	42700	-	9363									
0.21	442300	42700	-	8126									
0.23	442300	42700	-	7343									
0.25	442300	42700	-	6747									
0.28	442300	42700	-	5991									
0.32	442300	42700	-	5358									
0.35	442300	42700	-	4817									
0.39	442300	42700	-	4370									
0.60	442300	42700	-	2818*									
 3 2													
0.47	442300	42700	-	3609									
0.56	442300	42700	-	3062									
0.67	442300	42700	-	2519									
0.75	442300	42700	-	2268									
0.83	442300	42700	-	2054									
0.93	442300	42700	-	1821									
1.1	442300	42700	-	1605									
1.2	442300	42700	-	1395									
1.4	442300	42700	-	1196									
1.6	442300	42700	-	1046									
1.8	442300	42700	-	945									
2.3	442300	42700	-	738									
2.7	442300	42700	-	621									
3.2	442300	42700	-	527									

K187R107, n _e =1700 rpm						442300 lb-in					
n _a rpm	T _{aMax} lb-in	F _{Ra} lb	Φ _(/R) °	i	DRN100LM DRN100L	DRN112M	DRN132S DRN132M	DRN132L DRN160M DRN160L	DRN180M DRN180L	DRN200L DRN225S DRN225M	DRN250ME
 3 2											
2.0	442300	42700	-	835							
2.3	442300	42700	-	729							
2.7	442300	42700	-	622							

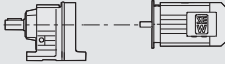

K187R107, n _e =1700 rpm					442300 lb-in						
n _a rpm	T _{aMax} lb-in	F _{Ra} lb	φ _(/R) °	i	DRN100LM DRN100L	DRN112M	DRN132S DRN132M	DRN132L DRN160M DRN160L	DRN180M DRN180L	DRN200L DRN225S DRN225M	DRN250ME
3.3	442300	42700	-	520							
3.7	442300	42700	-	454							
4.8	442300	42700	-	355							
6.5	442300	42700	-	261							
7.7	442300	42700	-	221							
8.8	442300	42700	-	193							
10	442300	42700	-	163							



21933480/EN-US - 04/2018

10.3 K.. DRS/DRN.. Selections by HP

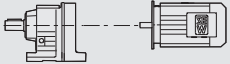

P_m = 0.16 HP											
n_a rpm	T_a lb-in	i ratio	F_{Ra}¹⁾ lb	SEW SF f_B	HazLoc -NA®					m lbs	
0.10	74200	17550	18300	1.55							
0.10	67600	16006	18300	1.70							
0.11	63300	14975	18400	1.80	K	127R77	DR	63S4	1040	696/714	
0.14	52600	12440	18400	2.2	KF	127R77	DR	63S4	1130	697/714	
0.15	46100	10915	18500	2.5	KA	127R77	DR	63S4	970	698/714	
0.17	41500	9819	18500	2.8	KAF	127R77	DR	63S4	1060	697/714	
0.20	34900	8443	18500	3.3							
0.22	31600	7482	18600	3.6							
0.12	60500	14311	14600	1.15							
0.14	51600	12211	14600	1.35							
0.16	45100	10677	14600	1.55							
0.18	40200	9524	14600	1.75	K	107R77	DR	63S4	680	689/714	
0.20	35200	8328	14600	2.0	KF	107R77	DR	63S4	710	690/714	
0.23	30700	7270	14600	2.3	KA	107R77	DR	63S4	620	691/714	
0.27	24700	6184	14600	2.9	KAF	107R77	DR	63S4	670	690/714	
0.30	21000	5662	14600	3.4							
0.33	19000	5138	14600	3.7							
0.39	18000	4359	14600	3.9							
0.24	30200	6970	8990	1.25							
0.28	27700	6027	8990	1.35							
0.31	25500	5391	8990	1.50	K	97R57	DR	63S4	395	682/714	
0.36	20700	4669	8990	1.85	KF	97R57	DR	63S4	440	683/714	
0.41	18900	4082	8990	2.0	KA	97R57	DR	63S4	355	684/714	
0.47	16400	3583	8990	2.3	KAF	97R57	DR	63S4	410	683/714	
0.54	14600	3108	8990	2.6							
0.61	12000	2757	8990	3.1							
0.69	11500	2419	8990	3.3							
0.79	9870	2123	8990	3.9							
0.91	8910	1856	8990	4.3	K	97R57	DR	63S4	395	682/714	
1.0	7130	1625	8990	5.3	KF	97R57	DR	63S4	440	683/714	
1.2	6030	1430	8990	6.3	KA	97R57	DR	63S4	355	684/714	
1.3	6050	1261	8990	6.3	KAF	97R57	DR	63S4	410	683/714	
1.5	5290	1102	8990	7.2							
0.37	19700	4562	6250	1.20							
0.42	18500	4037	6280	1.30	K	87R57	DR	63S4	260	675/714	
0.47	16500	3609	6330	1.45	KF	87R57	DR	63S4	280	676/714	
0.54	14200	3107	6380	1.65	KA	87R57	DR	63S4	235	677/714	
0.62	11800	2728	6420	2.0	KAF	87R57	DR	63S4	265	676/714	
0.71	10500	2371	6440	2.3							
0.80	10000	2088	6450	2.4							
0.91	8900	1854	6470	2.7							
1.0	7960	1657	6480	3.0	K	87R57	DR	63S4	260	675/714	
1.2	6730	1415	6490	3.5	KF	87R57	DR	63S4	280	676/714	
1.4	5840	1229	6500	4.1	KA	87R57	DR	63S4	235	677/714	
1.6	5010	1078	6510	4.8	KAF	87R57	DR	63S4	260	676/714	
1.8	4170	951	6520	5.7							
2.0	3530	837	6520	6.8							
2.3	3060	726	6520	7.8							
0.62	12800	2717	3600	1.05	K	77R37	DR	63S4	155	668/714	
0.71	10500	2370	3930	1.30	KF	77R37	DR	63S4	170	669/714	
					KA	77R37	DR	63S4	135	670/714	
					KAF	77R37	DR	63S4	155	669/714	
0.82	10000	2050	3980	1.35							
0.95	8560	1772	4140	1.60							
1.1	7310	1514	4250	1.85							
1.2	6700	1388	4290	2.0	K	77R37	DR	63S4	150	668/714	
1.4	5880	1218	4350	2.3	KF	77R37	DR	63S4	170	669/714	
1.6	5170	1053	4390	2.6	KA	77R37	DR	63S4	135	670/714	
1.8	4540	924	4420	3.0	KAF	77R37	DR	63S4	155	669/714	
2.1	4000	815	4440	3.4							
2.4	3030	709	4480	4.5							
2.7	2660	622	4490	5.1							

P_m = 0.16 HP

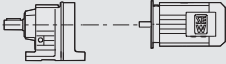

n _a rpm	T _a lb-in	i ratio	F _{Ra} ¹⁾ lb	SEW SF f _B	HazLoc -NA®		m lbs				
1.2	6800	1351	2410	1.05							
1.4	5800	1171	2600	1.25							
1.6	5080	1034	2710	1.45							
1.9	4170	903	2820	1.75							
2.1	4030	793	2830	1.80							
2.4	3120	697	2910	2.3							
2.7	2750	613	2920	2.6		K	67R37	DR	63S4	99	661/714
3.1	2400	542	2920	3.0		KF	67R37	DR	63S4	110	662/714
3.6	2300	471	2920	3.1		KA	67R37	DR	63S4	93	663/714
4.0	1850	420	2920	3.9		KAF	67R37	DR	63S4	105	662/714
4.7	1710	361	2920	4.2							
5.2	1500	323	2920	4.8							
6.0	1230	279	2920	5.9							
6.8	1080	246	2920	6.7							
7.7	940	217	2920	7.7							
1.9	4180	906	1920	1.25							
2.1	3790	806	1970	1.40							
2.4	3130	699	2040	1.70							
2.7	2750	615	2080	1.90							
3.1	2400	544	2110	2.2		K	57R37	DR	63S4	86	654/714
3.5	2240	473	2120	2.4		KF	57R37	DR	63S4	97	655/714
4.0	1860	421	2160	2.9		KA	57R37	DR	63S4	82	656/714
4.6	1720	362	2170	3.1		KAF	57R37	DR	63S4	94	655/714
5.3	1510	319	2180	3.5							
6.0	1230	280	2200	4.3							
6.8	1090	246	2220	4.9							
7.8	960	215	2220	5.5							
8.8	860	192	2230	6.2							
2.1	3820	802	2020	1.15							
2.4	3200	701	2020	1.40							
2.6	3150	645	2020	1.40							
2.8	2660	595	2020	1.65							
3.1	2540	543	2020	1.75							
3.4	2150	501	2020	2.0		K	49R37	DR	63S4	94	650/714
3.7	1950	449	2020	2.3		KF	49R37	DR	63S4	98	651/714
4.2	1660	401	2020	2.6		KA	49R37	DR	63S4	88	652/714
4.7	1540	360	2020	2.9		KAF	49R37	DR	63S4	99	651/714
5.1	1410	330	2020	3.1							
5.6	1370	300	2020	3.2							
6.1	1170	274	2020	3.8							
6.9	1010	243	2020	4.4							
7.7	940	217	2020	4.7							
8.7	900	193	2020	4.9							
3.0	2660	552	1580	1.35		K	47R37	DR	63S4	73	643/714
3.4	2220	495	1670	1.60		KF	47R37	DR	63S4	80	644/714
3.9	2000	426	1710	1.75		KA	47R37	DR	63S4	71	645/714
4.5	1660	375	1760	2.1		KAF	47R37	DR	63S4	78	644/714
5.2	1570	327	1770	2.2							
5.8	1370	289	1790	2.6							
3.3	2300	504	1690	1.15							
3.7	2240	454	1690	1.20							
4.2	1880	399	1690	1.40							
4.6	1760	365	1690	1.50							
5.4	1420	312	1690	1.85							
5.6	1410	299	1690	1.90		K	39R17	DR	63S4	53	639/714
6.6	1200	254	1690	2.2		KF	39R17	DR	63S4	56	640/714
7.2	1060	234	1690	2.5		KA	39R17	DR	63S4	51	641/714
8.0	970	210	1690	2.7		KAF	39R17	DR	63S4	54	640/714
8.9	890	189	1690	3.0							
9.7	840	174	1690	3.1							
11	725	156	1690	3.7							
12	670	142	1690	3.9							
14	540	117	1690	4.9							

P_m = 0.16 HP											
n_a rpm	T_a lb-in	i ratio	F_{Ra}¹⁾ lb	SEW SF f _B	HazLoc -NA [®]				m lbs		
5.5	1430	304	1250	1.25							
6.3	1320	267	1270	1.35		K	37R17	DR	63S4	42	632/714
7.2	1140	234	1320	1.55		KF	37R17	DR	63S4	47	633/714
8.2	990	205	1350	1.80		KA	37R17	DR	63S4	41	634/714
9.3	860	181	1380	2.0		KAF	37R17	DR	63S4	45	633/714
10	750	160	1410	2.4							
12	620	136	1440	2.8							
7.6	1320	144.79*	2920	5.5		K	67	DR	63M6	75	661
						KF	67	DR	63M6	88	662
						KA	67	DR	63M6	69	663
						KAF	67	DR	63M6	82	662
7.6	1330	145.14*	2200	4.0							
8.9	1130	123.85	2210	4.7		K	57	DR	63M6	62	654
10	990	108.29	2220	5.3		KF	57	DR	63M6	73	655
11	940	102.88*	2230	5.6		KA	57	DR	63M6	58	656
12	820	90.26*	2230	6.4		KAF	57	DR	63M6	70	655
14	700	76.56*	2240	7.6							
12	870	145.14*	2230	6.1		K	57	DR	63S4	62	654
14	740	123.85	2240	7.1		KF	57	DR	63S4	73	655
16	645	108.29	2240	8.2		KA	57	DR	63S4	58	656
16	615	102.88*	2250	8.6		KAF	57	DR	63S4	70	655
19	540	90.26*	2250	9.8							
8.3	1200	131.87*	1810	2.9		K	47	DR	63M6	49	643
9.1	1110	121.48*	1820	3.2		KF	47	DR	63M6	57	644
11	950	104.37	1830	3.7		KA	47	DR	63M6	48	645
						KAF	47	DR	63M6	54	644
13	790	131.87*	1840	4.5		K	47	DR	63S4	49	643
14	725	121.48*	1840	4.9		KF	47	DR	63S4	57	644
						KA	47	DR	63S4	48	645
						KAF	47	DR	63S4	54	644
10	970	106.38	1350	1.80		K	37	DR	63M6	35	632
11	890	97.81	1370	1.95		KF	37	DR	63M6	40	633
13	765	83.69	1400	2.3		KA	37	DR	63M6	35	634
15	660	72.54	1430	2.7		KAF	37	DR	63M6	38	633
16	635	106.38	1430	2.8							
17	585	97.81	1440	3.0		K	37	DR	63S4	35	632
20	500	83.69	1460	3.5		KF	37	DR	63S4	40	633
23	435	72.54	1450	4.1		KA	37	DR	63S4	35	634
25	405	67.80	1420	4.3		KAF	37	DR	63S4	38	633
23	430	71.93	1170	2.7							
25	395	66.25	1180	2.9		K	29	DR	63S4	23	625
27	365	61.28	1180	3.1		KF	29	DR	63S4	25	629
31	325	54.89	1180	3.5		KA	29	DR	63S4	22	631
33	300	50.35	1180	3.8		KAF	29	DR	63S4	23	629
39	255	42.87	1180	4.4							
29	350	58.68	1010	1.75							
31	320	53.88	1010	1.90							
34	295	49.69	1010	2.1							
38	265	44.48	1010	2.3							
41	240	40.63	1010	2.4							
49	205	34.29	1010	2.8							
53	190	31.74	1010	3.7							
57	176	29.29	990	3.1							
58	175	29.14	1000	4.0		K	19	DR	63S4	19	619
62	163	27.16	970	3.3		KF	19	DR	63S4	19	622
63	161	26.88	980	4.4		KA	19	DR	63S4	18	624
70	144	24.06	940	4.9		KAF	19	DR	63S4	19	622
76	132	21.98	920	5.4							
91	111	18.55	870	6.4							
106	95	15.84	830	7.5							
114	88	14.69	810	8.0							
132	76	12.70	775	9.3							
142	71	11.84	755	9.8							
163	62	10.32	725	11							
175	58	9.58	710	9.7							

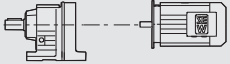

P_m = 0.25 HP

n _a rpm	T _a lb-in	i ratio	F _{Ra} ¹⁾ lb	SEW SF f _B	HazLoc -NA®					m lbs	
0.11	108500	14975	17900	1.05	X						
0.14	90100	12440	18100	1.30	X						
0.16	79100	10915	18200	1.45	X						
0.17	71100	9819	18300	1.60	X						
0.20	60400	8443	18400	1.90	X	K	127R77	(E)DRS	71S4	1040	696/714
0.23	54200	7482	18400	2.1	X	KF	127R77	(E)DRS	71S4	1130	697/714
0.26	47500	6565	18500	2.4	X	KA	127R77	(E)DRS	71S4	980	698/714
0.29	39500	5804	18500	2.9	X	KAF	127R77	(E)DRS	71S4	1060	697/714
0.34	35200	5027	18500	3.3	X						
0.38	30100	4423	18600	3.8	X						
0.44	26100	3889	18600	4.4	X						
0.51	21500	3311	18600	5.3	X						
0.20	60300	8328	14600	1.15	X						
0.23	52600	7270	14600	1.35	X						
0.27	43400	6184	14600	1.65	X						
0.30	38000	5662	14600	1.85	X						
0.33	34500	5138	14600	2.0	X	K	107R77	(E)DRS	71S4	690	689/714
0.39	31100	4359	14600	2.3	X	KF	107R77	(E)DRS	71S4	710	690/714
0.45	27200	3810	14600	2.6	X	KA	107R77	(E)DRS	71S4	630	691/714
0.51	22800	3358	14600	3.1	X	KAF	107R77	(E)DRS	71S4	680	690/714
0.57	20900	2977	14600	3.4	X						
0.65	18200	2599	14600	3.9	X						
0.74	15500	2286	14600	4.5	X						
0.36	34800	4669	8990	1.10	X	K	97R57	(E)DRS	71S4	400	682/714
0.42	31300	4082	8990	1.20	X	KF	97R57	(E)DRS	71S4	445	683/714
0.47	27200	3583	8990	1.40	X	KA	97R57	(E)DRS	71S4	360	684/714
0.55	23900	3108	8990	1.60	X	KAF	97R57	(E)DRS	71S4	415	683/714
0.62	20400	2757	8990	1.85	X						
0.70	18800	2419	8990	2.0	X						
0.80	16300	2123	8990	2.3	X						
0.92	14500	1856	8990	2.6	X						
1.1	12000	1625	8990	3.1	X						
1.2	10400	1430	8990	3.7	X	K	97R57	(E)DRS	71S4	400	682/714
1.4	9910	1261	8990	3.8	X	KF	97R57	(E)DRS	71S4	445	683/714
1.5	8650	1102	8990	4.4	X	KA	97R57	(E)DRS	71S4	360	684/714
1.8	7540	957	8990	5.0	X	KAF	97R57	(E)DRS	71S4	415	683/714
2.0	6740	855	8990	5.6	X						
2.3	5210	743	8990	7.3	X						
2.6	4690	652	8990	8.1	X						
0.55	23700	3107	6140	1.00	X	K	87R57	(E)DRS	71S4	265	675/714
0.62	20000	2728	6240	1.20	X	KF	87R57	(E)DRS	71S4	285	676/714
0.72	17600	2371	6300	1.35	X	KA	87R57	(E)DRS	71S4	240	677/714
						KAF	87R57	(E)DRS	71S4	270	676/714
0.81	16400	2088	6330	1.45	X						
0.92	14500	1854	6370	1.65	X						
1.0	13000	1657	6400	1.85	X						
1.2	11000	1415	6440	2.2	X	K	87R57	(E)DRS	71S4	265	675/714
1.4	9590	1229	6460	2.5	X	KF	87R57	(E)DRS	71S4	285	676/714
1.6	8300	1078	6470	2.9	X	KA	87R57	(E)DRS	71S4	240	677/714
1.8	7070	951	6490	3.4	X	KAF	87R57	(E)DRS	71S4	265	676/714
2.0	6080	837	6500	3.9	X						
2.3	5280	726	6510	4.5	X						
1.1	11900	1514	3740	1.15	X						
1.2	10900	1388	3880	1.25	X						
1.4	9600	1218	4040	1.45	X						
1.6	8390	1053	4160	1.65	X						
1.8	7360	924	4240	1.85	X	K	77R37	(E)DRS	71S4	160	668/714
2.1	6490	815	4310	2.1	X	KF	77R37	(E)DRS	71S4	175	669/714
2.4	5200	709	4390	2.6	X	KA	77R37	(E)DRS	71S4	140	670/714
2.7	4560	622	4420	3.0	X	KAF	77R37	(E)DRS	71S4	160	669/714
3.1	4130	552	4440	3.3	X						
3.5	3620	485	4460	3.8	X						
4.0	3190	428	4470	4.3	X						
4.6	2840	367	4480	4.8	X						

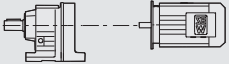

21933480/EN-US - 04/2018

P_m = 0.25 HP										m	
n_a rpm	T_a lb-in	i ratio	F_{Ra}¹⁾ lb	SEW SF f _B	HazLoc -NA [®]				lbs		
2.1	6480	793	2480	1.10	X						
2.4	5250	697	2680	1.40	X						
2.8	4620	613	2760	1.55	X						
3.1	4050	542	2830	1.80	X	K	67R37	(E)DRS	71S4	105	661/714
3.6	3750	471	2860	1.95	X	KF	67R37	(E)DRS	71S4	115	662/714
4.0	3140	420	2910	2.3	X	KA	67R37	(E)DRS	71S4	99	663/714
4.7	2830	361	2920	2.6	X	KAF	67R37	(E)DRS	71S4	110	662/714
5.3	2500	323	2920	2.9	X						
6.1	2080	279	2920	3.5	X						
3.1	4060	544	1940	1.30	X						
3.6	3700	473	1980	1.45	X						
4.0	3140	421	2040	1.70	X						
4.7	2840	362	2070	1.85	X	K	57R37	(E)DRS	71S4	92	654/714
5.3	2490	319	2100	2.1	X	KF	57R37	(E)DRS	71S4	105	655/714
6.1	2090	280	2140	2.5	X	KA	57R37	(E)DRS	71S4	88	656/714
6.9	1840	246	2160	2.9	X	KAF	57R37	(E)DRS	71S4	100	655/714
7.9	1620	215	2180	3.3	X						
8.8	1440	192	2190	3.7	X						
10	1250	166	2200	4.2	X						
3.1	4150	543	2020	1.05	X						
3.4	3640	501	2020	1.20	X						
3.8	3280	449	2020	1.35	X						
4.2	2850	401	2020	1.55	X						
4.7	2610	360	2020	1.70	X						
5.2	2390	330	2020	1.85	X	K	49R37	(E)DRS	71S4	100	650/714
5.7	2250	300	2020	1.95	X	KF	49R37	(E)DRS	71S4	105	651/714
6.2	1990	274	2020	2.2	X	KA	49R37	(E)DRS	71S4	94	652/714
7.0	1730	243	2020	2.5	X	KAF	49R37	(E)DRS	71S4	105	651/714
7.8	1590	217	2020	2.8	X						
8.8	1470	193	2020	3.0	X						
9.7	1310	176	2020	3.4	X						
11	1070	152	2020	4.1	X						
14	910	125	2020	4.8	X						
4.5	2800	375	1550	1.25	X						
5.2	2570	327	1600	1.35	X						
5.9	2260	289	1670	1.55	X	K	47R37	(E)DRS	71S4	79	643/714
6.6	1910	256	1720	1.85	X	KF	47R37	(E)DRS	71S4	86	644/714
7.6	1740	225	1750	2.0	X	KA	47R37	(E)DRS	71S4	77	645/714
8.6	1480	198	1780	2.4	X	KAF	47R37	(E)DRS	71S4	84	644/714
9.9	1290	171	1800	2.7	X						
11	1150	153	1820	3.1	X						
13	1010	131	1830	3.5	X						
5.5	2340	312	1690	1.15	X						
5.7	2290	299	1690	1.15	X						
6.7	1960	254	1690	1.35	X						
7.3	1760	234	1690	1.50	X						
8.1	1590	210	1690	1.65	X	K	39R17	(E)DRS	71S4	58	639/714
9.0	1450	189	1690	1.80	X	KF	39R17	(E)DRS	71S4	62	640/714
9.8	1360	174	1690	1.95	X	KA	39R17	(E)DRS	71S4	56	641/714
11	1180	156	1690	2.2	X	KAF	39R17	(E)DRS	71S4	60	640/714
12	1090	142	1690	2.4	X						
14	890	117	1690	3.0	X						
23	555	75	1690	4.7	X						
8.3	1620	205	1200	1.10	X	K	37R17	(E)DRS	71S4	47	632/714
9.4	1410	181	1250	1.25	X	KF	37R17	(E)DRS	71S4	52	633/714
11	1240	160	1290	1.40	X	KA	37R17	(E)DRS	71S4	47	634/714
12	1040	136	1340	1.70	X	KAF	37R17	(E)DRS	71S4	51	633/714
13	1000	127	1350	1.75	X						
12	1340	144.79*	2920	5.4	X	K	67	(E)DRS	71S4	80	661
14	1140	123.54	2920	6.3	X	KF	67	(E)DRS	71S4	93	662
16	1000	108.03	2920	7.2	X	KA	67	(E)DRS	71S4	74	663
						KAF	67	(E)DRS	71S4	87	662
7.4	2130	144.79*	2920	3.4		K	67	DR	63L6	77	661
8.7	1820	123.54	2920	4.0		KF	67	DR	63L6	89	662
9.9	1590	108.03	2920	4.6		KA	67	DR	63L6	71	663
10	1510	102.62	2920	4.8		KAF	67	DR	63L6	83	662

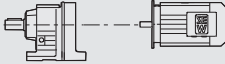

P_m = 0.25 HP

n _a rpm	T _a lb-in	i ratio	F _{Ra} ¹⁾ lb	SEW SF f _B	HazLoc -NA®					m lbs	
12	1340	145.14*	2200	3.9	X						
14	1140	123.85	2210	4.6	X	K	57	(E)DRS	71S4	67	654
16	1000	108.29	2220	5.3	X	KF	57	(E)DRS	71S4	78	655
17	950	102.88*	2220	5.6	X	KA	57	(E)DRS	71S4	63	656
19	830	90.26*	2230	6.3	X	KAF	57	(E)DRS	71S4	75	655
22	705	76.56*	2240	7.5	X						
7.4	2130	145.14*	2130	2.5		K	57	DR	63L6	64	654
8.6	1820	123.85	2160	2.9		KF	57	DR	63L6	74	655
9.9	1590	108.29	2180	3.3		KA	57	DR	63L6	59	656
10	1510	102.88*	2180	3.5		KAF	57	DR	63L6	72	655
12	1320	90.26*	2200	4.0							
13	1220	131.87*	1810	2.9	X	K	47	(E)DRS	71S4	55	643
14	1120	121.48*	1820	3.1	X	KF	47	(E)DRS	71S4	62	644
16	960	104.37	1830	3.7	X	KA	47	(E)DRS	71S4	53	645
19	840	90.86	1840	4.2	X	KAF	47	(E)DRS	71S4	59	644
20	785	85.12*	1840	4.5	X						
8.1	1940	131.87*	1720	1.80		K	47	DR	63L6	51	643
8.8	1780	121.48*	1740	2.0		KF	47	DR	63L6	58	644
10	1530	104.37	1780	2.3		KA	47	DR	63L6	49	645
12	1330	90.86	1800	2.6		KAF	47	DR	63L6	55	644
13	1250	85.12*	1810	2.8							
16	980	106.38	1350	1.80	X						
17	900	97.81	1370	1.95	X						
20	775	83.69	1400	2.3	X	K	37	(E)DRS	71S4	41	632
23	670	72.54	1390	2.6	X	KF	37	(E)DRS	71S4	46	633
25	625	67.80	1370	2.8	X	KA	37	(E)DRS	71S4	41	634
29	540	58.60	1310	3.3	X	KAF	37	(E)DRS	71S4	44	633
34	460	49.79	1260	3.8	X						
38	410	44.46	1220	4.3	X						
45	350	37.97	1160	5.0	X						
10	1560	106.38	1220	1.15		K	37	DR	63L6	37	632
11	1440	97.81	1250	1.25		KF	37	DR	63L6	42	633
13	1230	83.69	1290	1.45		KA	37	DR	63L6	36	634
15	1060	72.54	1330	1.65		KAF	37	DR	63L6	40	633
31	505	54.89	1170	2.3	X						
34	465	50.35	1170	2.5	X						
40	395	42.87	1180	2.9	X	K	29	(E)DRS	71S4	29	625
46	340	36.96	1130	3.1	X	KF	29	(E)DRS	71S4	31	629
56	275	30.11	1070	3.6	X	KA	29	(E)DRS	71S4	28	631
57	275	29.69	1070	4.2	X	KAF	29	(E)DRS	71S4	29	629
62	250	27.23	1040	4.5	X						
68	230	24.91	1010	4.2	X						
38	410	44.48	1010	1.50	X						
42	375	40.63	1010	1.55	X						
50	315	34.29	1000	1.80	X						
58	270	29.29	960	2.0	X						
63	250	27.16	940	2.1	X						
71	220	24.06	920	3.2	X						
77	200	21.98	890	3.5	X	K	19	(E)DRS	71S4	25	619
92	172	18.55	850	4.1	X	KF	19	(E)DRS	71S4	25	622
107	147	15.84	810	4.8	X	KA	19	(E)DRS	71S4	24	624
116	136	14.69	795	5.2	X	KAF	19	(E)DRS	71S4	25	622
134	118	12.70	760	6.0	X						
144	110	11.84	745	6.4	X						
165	96	10.32	710	7.0	X						
177	89	9.58	700	6.3	X						
210	75	8.09	665	9.4	X						
246	64	6.91	630	11	X						



21933480/EN-US - 04/2018

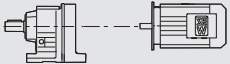

P_m = 0.33 HP									
n _a rpm	T _a lb-in	i ratio	F _{Ra} ¹⁾ lb	SEW SF f _B	HazLoc -NA [®]			m lbs	
0.17	98000	9819	18000	1.15	X				
0.20	83500	8443	18200	1.40	X				
0.23	74700	7482	18300	1.55	X	K	127R77	(E)DRS 71S4	1040 696/714
0.26	65500	6565	18300	1.75	X	KF	127R77	(E)DRS 71S4	1130 697/714
0.29	55400	5804	18400	2.1	X	KA	127R77	(E)DRS 71S4	980 698/714
0.34	49000	5027	18500	2.3	X	KAF	127R77	(E)DRS 71S4	1060 697/714
0.38	42200	4423	18500	2.7	X				
0.44	36800	3889	18500	3.1	X				
0.51	30500	3311	18600	3.8	X				
0.27	60300	6184	14600	1.15	X				
0.30	53500	5662	14600	1.30	X				
0.33	48600	5138	14600	1.45	X				
0.39	43100	4359	14600	1.65	X	K	107R77	(E)DRS 71S4	690 689/714
0.45	37600	3810	14600	1.90	X	KF	107R77	(E)DRS 71S4	710 690/714
0.51	32000	3358	14600	2.2	X	KA	107R77	(E)DRS 71S4	630 691/714
0.57	29000	2977	14600	2.4	X	KAF	107R77	(E)DRS 71S4	680 690/714
0.65	25300	2599	14600	2.8	X				
0.74	21800	2286	14600	3.2	X				
0.88	18500	1939	14600	3.8	X				
0.99	17100	1713	14600	4.1	X	K	107R77	(E)DRS 71S4	680 689/714
1.1	15500	1554	14600	4.5	X	KF	107R77	(E)DRS 71S4	710 690/714
1.3	13300	1336	14600	5.3	X	KA	107R77	(E)DRS 71S4	620 691/714
						KAF	107R77	(E)DRS 71S4	680 690/714
0.55	32400	3108	8990	1.15	X	K	97R57	(E)DRS 71S4	400 682/714
0.62	28000	2757	8990	1.35	X	KF	97R57	(E)DRS 71S4	445 683/714
						KA	97R57	(E)DRS 71S4	360 684/714
						KAF	97R57	(E)DRS 71S4	415 683/714
0.70	25500	2419	8990	1.50	X				
0.80	22200	2123	8990	1.70	X				
0.92	19700	1856	8990	1.95	X				
1.1	16500	1625	8990	2.3	X	K	97R57	(E)DRS 71S4	400 682/714
1.2	14300	1430	8990	2.6	X	KF	97R57	(E)DRS 71S4	445 683/714
1.4	13400	1261	8990	2.8	X	KA	97R57	(E)DRS 71S4	360 684/714
1.5	11700	1102	8990	3.2	X	KAF	97R57	(E)DRS 71S4	415 683/714
1.8	10200	957	8990	3.7	X				
2.0	9140	855	8990	4.2	X				
0.81	22100	2088	6180	1.10	X				
0.92	19700	1854	6250	1.20	X				
1.0	17600	1657	6310	1.35	X				
1.2	14900	1415	6360	1.60	X	K	87R57	(E)DRS 71S4	265 675/714
1.4	12900	1229	6400	1.85	X	KF	87R57	(E)DRS 71S4	285 676/714
1.6	11200	1078	6430	2.1	X	KA	87R57	(E)DRS 71S4	240 677/714
1.8	9710	951	6460	2.5	X	KAF	87R57	(E)DRS 71S4	265 676/714
2.0	8400	837	6470	2.8	X				
2.3	7290	726	6490	3.3	X				
2.7	6510	638	6500	3.7	X				
1.6	11300	1053	3830	1.20	X				
1.8	9920	924	4000	1.40	X				
2.1	8750	815	4120	1.55	X				
2.4	7170	709	4260	1.90	X				
2.7	6290	622	4320	2.2	X				
3.1	5660	552	4360	2.4	X				
3.5	4960	485	4400	2.8	X	K	77R37	(E)DRS 71S4	160 668/714
4.0	4380	428	4430	3.1	X	KF	77R37	(E)DRS 71S4	175 669/714
4.6	3860	367	4450	3.5	X	KA	77R37	(E)DRS 71S4	140 670/714
5.2	3420	328	4470	4.0	X	KAF	77R37	(E)DRS 71S4	160 669/714
5.9	3050	290	4480	4.5	X				
6.7	2590	252	4490	5.3	X				
7.7	2280	221	4490	6.0	X				
8.7	2010	195	4490	6.8	X				
9.7	1760	175	4490	7.8	X				

P_m = 0.33 HP



n _a rpm	T _a lb-in	i ratio	F _{Ra} ¹⁾ lb	SEW SF f _B	HazLoc -NA®					m lbs	
2.8	6320	613	2510	1.15	X						
3.1	5560	542	2640	1.30	X						
3.6	5070	471	2710	1.45	X						
4.0	4300	420	2800	1.70	X	K	67R37	(E)DRS	71S4	105	661/714
4.7	3840	361	2850	1.90	X	KF	67R37	(E)DRS	71S4	115	662/714
5.3	3400	323	2890	2.1	X	KA	67R37	(E)DRS	71S4	99	663/714
6.1	2860	279	2920	2.5	X	KAF	67R37	(E)DRS	71S4	110	662/714
6.9	2510	246	2920	2.9	X						
7.8	2220	217	2920	3.3	X						
4.0	4310	421	1910	1.25	X						
4.7	3850	362	1960	1.40	X						
5.3	3390	319	2010	1.55	X						
6.1	2860	280	2070	1.85	X						
6.9	2520	246	2100	2.1	X	K	57R37	(E)DRS	71S4	92	654/714
7.9	2220	215	2130	2.4	X	KF	57R37	(E)DRS	71S4	105	655/714
8.8	1970	192	2150	2.7	X	KA	57R37	(E)DRS	71S4	88	656/714
10	1710	166	2170	3.1	X	KAF	57R37	(E)DRS	71S4	100	655/714
12	1490	145	2190	3.5	X						
13	1360	129	2200	3.9	X						
15	1140	111	2210	4.6	X						
17	1000	97	2220	5.3	X						
4.2	3930	401	2020	1.10	X						
4.7	3570	360	2020	1.25	X						
5.2	3280	330	2020	1.35	X						
5.7	3060	300	2020	1.45	X						
6.2	2720	274	2020	1.60	X	K	49R37	(E)DRS	71S4	100	650/714
7.0	2390	243	2020	1.85	X	KF	49R37	(E)DRS	71S4	105	651/714
7.8	2170	217	2020	2.0	X	KA	49R37	(E)DRS	71S4	94	652/714
8.8	1990	193	2020	2.2	X	KAF	49R37	(E)DRS	71S4	105	651/714
9.7	1780	176	2020	2.5	X						
11	1480	152	2020	3.0	X						
14	1250	125	2020	3.5	X						
17	960	99	2020	4.6	X						
7.3	2390	234	1690	1.10	X						
8.1	2160	210	1690	1.25	X						
9.0	1960	189	1690	1.35	X	K	39R17	(E)DRS	71S4	58	639/714
9.8	1830	174	1690	1.45	X	KF	39R17	(E)DRS	71S4	62	640/714
11	1600	156	1690	1.65	X	KA	39R17	(E)DRS	71S4	56	641/714
12	1470	142	1690	1.80	X	KAF	39R17	(E)DRS	71S4	60	640/714
14	1200	117	1690	2.2	X						
23	755	75	1690	3.4	X						
5.7	3630	192.18	4460	3.5		K	77	DRS	71S6	140	668
6.1	3390	179.37	4470	3.8		KF	77	DRS	71S6	155	669
7.1	2910	154.02	4480	4.7		KA	77	DRS	71S6	120	670
8.1	2550	135.28	4490	5.4		KAF	77	DRS	71S6	140	669
7.6	2730	144.79*	2920	2.6		K	67	DRS	71S6	80	661
8.9	2330	123.54	2920	3.1		KF	67	DRS	71S6	93	662
10	2040	108.03	2920	3.5		KA	67	DRS	71S6	74	663
11	1940	102.62	2920	3.7		KAF	67	DRS	71S6	87	662
12	1770	144.79*	2920	4.1	X	K	67	(E)DRS	71S4	80	661
14	1510	123.54	2920	4.8	X	KF	67	(E)DRS	71S4	93	662
16	1320	108.03	2920	5.5	X	KA	67	(E)DRS	71S4	74	663
17	1250	102.62	2920	5.8	X	KAF	67	(E)DRS	71S4	87	662
7.6	2740	145.14*	2080	1.95							
8.9	2340	123.85	2120	2.3		K	57	DRS	71S6	67	654
10	2040	108.29	2140	2.6		KF	57	DRS	71S6	78	655
11	1940	102.88*	2150	2.7		KA	57	DRS	71S6	63	656
12	1700	90.26*	2170	3.1		KAF	57	DRS	71S6	75	655
14	1440	76.56*	2190	3.7							
12	1770	145.14*	2160	3.0	X						
14	1510	123.85	2180	3.5	X	K	57	(E)DRS	71S4	67	654
16	1320	108.29	2200	4.0	X	KF	57	(E)DRS	71S4	78	655
17	1250	102.88*	2200	4.2	X	KA	57	(E)DRS	71S4	63	656
19	1100	90.26*	2210	4.8	X	KAF	57	(E)DRS	71S4	75	655
22	930	76.56*	2230	5.7	X						

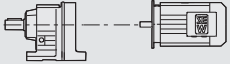

21933480/EN-US - 04/2018

P_m = 0.33 HP											
n_a rpm	T_a lb-in	i ratio	F_{Ra}¹⁾ lb	SEW SF f _B	HazLoc -NA [®]					m lbs	
23	920	75.20	2020	4.6	X	K	49	(E)DRS	71S4	82	650
24	850	70.19	2020	4.6	X	KF	49	(E)DRS	71S4	85	651
						KA	49	(E)DRS	71S4	75	652
						KAF	49	(E)DRS	71S4	86	651
8.3	2490	131.87*	1620	1.40		K	47	DRS	71S6	55	643
9.1	2290	121.48*	1660	1.55		KF	47	DRS	71S6	62	644
11	1970	104.37	1720	1.80		KA	47	DRS	71S6	53	645
12	1710	90.86	1750	2.1		KAF	47	DRS	71S6	59	644
13	1610	85.12*	1770	2.2							
13	1610	131.87*	1770	2.2	X	K	47	(E)DRS	71S4	55	643
14	1480	121.48*	1780	2.4	X	KF	47	(E)DRS	71S4	62	644
16	1270	104.37	1800	2.8	X	KA	47	(E)DRS	71S4	53	645
19	1110	90.86	1820	3.2	X	KAF	47	(E)DRS	71S4	59	644
20	1040	85.12*	1820	3.4	X						
29	710	58.24	1690	3.7	X	K	39	(E)DRS	71S4	52	639
34	605	49.69	1690	4.4	X	KF	39	(E)DRS	71S4	55	640
						KA	39	(E)DRS	71S4	50	641
						KAF	39	(E)DRS	71S4	53	640
13	1580	83.69	1210	1.10		K	37	DRS	71S6	41	632
15	1370	72.54	1260	1.30		KF	37	DRS	71S6	46	633
16	1280	67.80	1280	1.40		KA	37	DRS	71S6	41	634
19	1100	58.60	1320	1.60		KAF	37	DRS	71S6	44	633
22	940	49.79	1360	1.90							
16	1300	106.38	1280	1.35	X						
17	1190	97.81	1300	1.50	X						
20	1020	83.69	1340	1.75	X						
23	880	72.54	1340	2.0	X						
25	820	67.80	1320	2.1	X	K	37	(E)DRS	71S4	41	632
29	715	58.60	1270	2.5	X	KF	37	(E)DRS	71S4	46	633
34	605	49.79	1220	2.9	X	KA	37	(E)DRS	71S4	41	634
38	540	44.46	1190	3.2	X	KAF	37	(E)DRS	71S4	44	633
45	460	37.97	1140	3.8	X						
48	435	35.57	1120	4.1	X						
57	365	29.96	1070	4.8	X						
59	350	28.83	1060	5.0	X						
31	670	54.89	1160	1.70	X						
34	615	50.35	1160	1.85	X						
40	520	42.87	1150	2.2	X						
46	450	36.96	1100	2.4	X	K	29	(E)DRS	71S4	29	625
56	365	30.11	1040	2.8	X	KF	29	(E)DRS	71S4	31	629
57	360	29.69	1050	3.2	X	KA	29	(E)DRS	71S4	28	631
62	330	27.23	1020	3.5	X	KAF	29	(E)DRS	71S4	29	629
68	300	24.91	990	3.2	X						
73	280	23.19	980	4.0	X						
77	270	22.08	960	3.4	X						
85	240	19.99	940	4.7	X						
38	540	44.48	990	1.10	X						
42	495	40.63	990	1.20	X						
50	415	34.29	970	1.35	X						
58	355	29.29	930	1.50	X						
63	330	27.16	910	1.60	X						
71	290	24.06	900	2.4	X						
77	265	21.98	880	2.6	X						
92	225	18.55	840	3.1	X						
107	194	15.84	800	3.6	X	K	19	(E)DRS	71S4	25	619
116	180	14.69	780	3.9	X	KF	19	(E)DRS	71S4	25	622
134	155	12.70	750	4.5	X	KA	19	(E)DRS	71S4	24	624
144	145	11.84	735	4.8	X	KAF	19	(E)DRS	71S4	25	622
165	126	10.32	705	5.3	X						
177	117	9.58	695	4.8	X						
210	99	8.09	660	7.2	X						
246	85	6.91	625	8.4	X						
265	78	6.41	615	9.0	X						
307	68	5.54	585	10	X						
329	63	5.16	570	11	X						

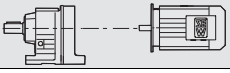

P_m = 0.50 HP												
n_a rpm	T_a lb-in	i ratio	F_{Ra}¹⁾ lb	SEW SF f_B	HazLoc -NA[®]						m lbs	
0.26	103700	6565	17900	1.10	X							
0.29	89100	5804	18100	1.30	X	K	127R77	(E)DRS	71S4	1040	696/714	
0.34	78200	5027	18200	1.45	X	KF	127R77	(E)DRS	71S4	1130	697/714	
0.38	67900	4423	18300	1.70	X	KA	127R77	(E)DRS	71S4	980	698/714	
0.44	59400	3889	18400	1.95	X	KAF	127R77	(E)DRS	71S4	1060	697/714	
0.51	49800	3311	18500	2.3	X							
0.88	30300	1926	18600	3.8	X	K	127R77	(E)DRS	71S4	1040	696/714	
0.97	27600	1757	18600	4.2	X	KF	127R77	(E)DRS	71S4	1130	697/714	
						KA	127R77	(E)DRS	71S4	980	698/714	
1.1	23900	1541	18600	4.8	X	KAF	127R77	(E)DRS	71S4	1060	697/714	
0.45	59800	3810	14600	1.20	X							
0.51	51600	3358	14600	1.35	X	K	107R77	(E)DRS	71S4	690	689/714	
0.57	46300	2977	14600	1.55	X	KF	107R77	(E)DRS	71S4	710	690/714	
0.65	40400	2599	14600	1.75	X	KA	107R77	(E)DRS	71S4	630	691/714	
0.74	35100	2286	14600	2.0	X	KAF	107R77	(E)DRS	71S4	680	690/714	
0.88	29800	1939	14600	2.4	X							
0.99	27200	1713	14600	2.6	X	K	107R77	(E)DRS	71S4	680	689/714	
1.1	24700	1554	14600	2.9	X	KF	107R77	(E)DRS	71S4	710	690/714	
1.3	21200	1336	14600	3.3	X	KA	107R77	(E)DRS	71S4	620	691/714	
1.5	18500	1166	14600	3.8	X	KAF	107R77	(E)DRS	71S4	680	690/714	
0.80	34700	2123	8990	1.10	X							
0.92	30600	1856	8990	1.25	X							
1.1	26100	1625	8990	1.45	X							
1.2	22700	1430	8990	1.65	X							
1.4	20800	1261	8990	1.85	X	K	97R57	(E)DRS	71S4	400	682/714	
1.5	18100	1102	8990	2.1	X	KF	97R57	(E)DRS	71S4	445	683/714	
1.8	15900	957	8990	2.4	X	KA	97R57	(E)DRS	71S4	360	684/714	
2.0	14200	855	8990	2.7	X	KAF	97R57	(E)DRS	71S4	415	683/714	
2.3	11600	743	8990	3.3	X							
2.6	10300	652	8990	3.7	X							
3.0	9380	573	8990	4.1	X							
1.2	23300	1415	6150	1.00	X							
1.4	20200	1229	6240	1.20	X							
1.6	17600	1078	6310	1.35	X							
1.8	15300	951	6360	1.55	X							
2.0	13300	837	6400	1.80	X	K	87R57	(E)DRS	71S4	265	675/714	
2.3	11500	726	6430	2.1	X	KF	87R57	(E)DRS	71S4	285	676/714	
2.7	10200	638	6450	2.3	X	KA	87R57	(E)DRS	71S4	240	677/714	
3.0	8950	562	6470	2.7	X	KAF	87R57	(E)DRS	71S4	265	676/714	
3.6	7520	474	6480	3.2	X							
4.0	6760	426	6490	3.5	X							
4.6	5900	373	6500	4.0	X							
2.1	13500	815	3480	1.00	X							
2.4	11300	709	3830	1.20	X							
2.7	9950	622	4000	1.40	X							
3.1	8910	552	4110	1.55	X							
3.5	7820	485	4210	1.75	X							
4.0	6900	428	4280	2.0	X	K	77R37	(E)DRS	71S4	160	668/714	
4.6	6020	367	4340	2.3	X	KF	77R37	(E)DRS	71S4	175	669/714	
5.2	5350	328	4380	2.6	X	KA	77R37	(E)DRS	71S4	140	670/714	
5.9	4760	290	4410	2.9	X	KAF	77R37	(E)DRS	71S4	160	669/714	
6.7	4080	252	4440	3.4	X							
7.7	3580	221	4460	3.8	X							
8.7	3160	195	4470	4.3	X							
9.7	2790	175	4490	4.9	X							
11	2460	154	4490	5.6	X							
4.0	6770	420	2420	1.05	X							
4.7	5990	361	2570	1.20	X							
5.3	5320	323	2670	1.35	X							
6.1	4500	279	2780	1.60	X	K	67R37	(E)DRS	71S4	105	661/714	
6.9	3960	246	2840	1.85	X	KF	67R37	(E)DRS	71S4	115	662/714	
7.8	3510	217	2880	2.1	X	KA	67R37	(E)DRS	71S4	99	663/714	
8.9	3100	191	2920	2.3	X	KAF	67R37	(E)DRS	71S4	110	662/714	
10	2650	166	2920	2.7	X							
12	2350	144	2920	3.1	X							
14	1990	122	2920	3.6	X							

21933480/EN-US - 04/2018

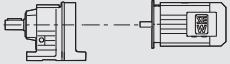

P_m = 0.50 HP											
n_a rpm	T_a lb-in	i ratio	F_{Ra}¹⁾ lb	SEW SF f _B	HazLoc -NA [®]					m lbs	
6.1	4510	280	1870	1.20	X						
6.9	3970	246	1950	1.35	X						
7.9	3500	215	2000	1.50	X						
8.8	3110	192	2040	1.70	X	K	57R37	(E)DRS	71S4	92	654/714
10	2690	166	2080	1.95	X	KF	57R37	(E)DRS	71S4	105	655/714
12	2350	145	2110	2.2	X	KA	57R37	(E)DRS	71S4	88	656/714
13	2130	129	2130	2.5	X	KAF	57R37	(E)DRS	71S4	100	655/714
15	1800	111	2160	2.9	X						
17	1580	97	2180	3.3	X						
6.2	4290	274	2020	1.05	X						
7.0	3780	243	2020	1.15	X						
7.8	3410	217	2020	1.30	X	K	49R37	(E)DRS	71S4	100	650/714
8.8	3100	193	2020	1.45	X	KF	49R37	(E)DRS	71S4	105	651/714
9.7	2790	176	2020	1.60	X	KA	49R37	(E)DRS	71S4	94	652/714
11	2350	152	2020	1.90	X	KAF	49R37	(E)DRS	71S4	105	651/714
14	1960	125	2020	2.2	X						
17	1530	99	2020	2.9	X						
11	2500	156	1690	1.05	X	K	39R17	(E)DRS	71S4	58	639/714
12	2280	142	1690	1.15	X	KF	39R17	(E)DRS	71S4	62	640/714
14	1870	117	1690	1.40	X	KA	39R17	(E)DRS	71S4	56	641/714
23	1180	75	1690	2.2	X	KAF	39R17	(E)DRS	71S4	60	640/714
5.6	5650	197.37	6500	4.2		K	87	DRS	71M6	220	675
6.3	4990	174.19	6510	4.8		KF	87	DRS	71M6	240	676
						KA	87	DRS	71M6	190	677
						KAF	87	DRS	71M6	220	675
7.1	4410	154.02	4430	3.1		K	77	DRS	71M6	140	668
8.1	3870	135.28	4450	3.5		KF	77	DRS	71M6	160	669
8.6	3680	128.52	4460	3.7		KA	77	DRS	71M6	125	670
9.7	3250	113.56	4470	4.2		KAF	77	DRS	71M6	140	669
8.8	3560	192.18	4460	3.6	X	K	77	(E)DRS	71S4	140	668
9.5	3320	179.37	4470	3.9	X	KF	77	(E)DRS	71S4	155	669
11	2850	154.02	4480	4.8	X	KA	77	(E)DRS	71S4	120	670
						KAF	77	(E)DRS	71S4	140	669
8.9	3540	123.54	2880	2.0		K	67	DRS	71M6	83	661
10	3090	108.03	2920	2.3		KF	67	DRS	71M6	96	662
11	2940	102.62	2920	2.5		KA	67	DRS	71M6	77	663
12	2580	90.04	2920	2.8		KAF	67	DRS	71M6	90	662
12	2680	144.79*	2920	2.7	X						
14	2290	123.54	2920	3.2	X	K	67	(E)DRS	71S4	80	661
16	2000	108.03	2920	3.6	X	KF	67	(E)DRS	71S4	93	662
19	1660	90.04	2920	4.3	X	KA	67	(E)DRS	71S4	74	663
22	1410	76.37	2920	5.1	X	KAF	67	(E)DRS	71S4	87	662
8.9	3540	123.85	1990	1.50							
10	3100	108.29	2040	1.70		K	57	DRS	71M6	70	654
11	2940	102.88*	2060	1.80		KF	57	DRS	71M6	81	655
12	2580	90.26*	2090	2.0		KA	57	DRS	71M6	66	656
14	2190	76.56*	2130	2.4		KAF	57	DRS	71M6	78	655
16	1980	69.12	2150	2.7							
12	2690	145.14*	2080	1.95	X						
14	2290	123.85	2120	2.3	X						
16	2000	108.29	2140	2.6	X	K	57	(E)DRS	71S4	67	654
17	1900	102.88*	2150	2.8	X	KF	57	(E)DRS	71S4	78	655
19	1670	90.26*	2170	3.2	X	KA	57	(E)DRS	71S4	63	656
22	1410	76.56*	2190	3.7	X	KAF	57	(E)DRS	71S4	75	655
25	1280	69.12	2200	4.1	X						
23	1390	75.20	2020	3.0	X	K	49	(E)DRS	71S4	82	650
24	1300	70.19	2020	3.0	X	KF	49	(E)DRS	71S4	85	651
28	1110	60.27	2020	4.0	X	KA	49	(E)DRS	71S4	75	652
						KAF	49	(E)DRS	71S4	86	651
11	2990	104.37	1500	1.20		K	47	DRS	71M6	57	643
12	2600	90.86	1600	1.35		KF	47	DRS	71M6	65	644
13	2430	85.12*	1630	1.45		KA	47	DRS	71M6	55	645
15	2150	75.20*	1690	1.65		KAF	47	DRS	71M6	62	644

P_m = 0.50 HP											
n_a rpm	T_a lb-in	i ratio	F_{Ra}¹⁾ lb	SEW SF f_B	HazLoc -NA[®]					m lbs	
13	2440	131.87*	1630	1.45	X						
14	2250	121.48*	1670	1.55	X						
16	1930	104.37	1720	1.85	X	K	47	(E)DRS	71S4	55	643
19	1680	90.86	1760	2.1	X	KF	47	(E)DRS	71S4	62	644
20	1570	85.12*	1770	2.2	X	KA	47	(E)DRS	71S4	53	645
23	1390	75.20*	1790	2.5	X	KAF	47	(E)DRS	71S4	59	644
24	1290	69.84	1800	2.7	X						
27	1170	63.30*	1810	3.0	X						
29	1080	58.24	1690	2.5	X	K	39	(E)DRS	71S4	52	639
34	920	49.69	1690	2.9	X	KF	39	(E)DRS	71S4	55	640
39	800	43.45	1690	3.3	X	KA	39	(E)DRS	71S4	50	641
41	765	41.28	1690	3.5	X	KAF	39	(E)DRS	71S4	53	640
47	670	36.22	1690	4.0	X						
17	1810	97.81	1160	1.00							
20	1550	83.69	1220	1.15	X						
23	1340	72.54	1240	1.30	X						
25	1250	67.80	1220	1.40	X						
29	1080	58.60	1190	1.65	X						
34	920	49.79	1150	1.90	X						
38	820	44.46	1120	2.1	X	K	37	(E)DRS	71S4	41	632
45	700	37.97	1080	2.5	X	KF	37	(E)DRS	71S4	46	633
48	655	35.57	1070	2.7	X	KA	37	(E)DRS	71S4	41	634
57	555	29.96	1020	3.2	X	KAF	37	(E)DRS	71S4	44	633
59	530	28.83	1010	3.3	X						
68	460	24.99	980	3.8	X						
73	430	23.36	960	4.0	X						
84	370	20.19	920	4.4	X						
99	315	17.15	880	5.0	X						
31	1010	54.89	1130	1.15	X						
34	930	50.35	1110	1.25	X						
40	790	42.87	1080	1.40	X						
46	685	36.96	1040	1.55	X						
56	555	30.11	1000	1.80	X	K	29	(E)DRS	71S4	29	625
57	550	29.69	1010	2.1	X	KF	29	(E)DRS	71S4	31	629
62	505	27.23	980	2.3	X	KA	29	(E)DRS	71S4	28	631
68	460	24.91	950	2.1	X	KAF	29	(E)DRS	71S4	29	629
73	430	23.19	940	2.7	X						
77	405	22.08	920	2.3	X						
85	370	19.99	910	3.1	X						
104	300	16.29	860	3.8	X						
58	540	29.29	870	1.00							
63	500	27.16	860	1.05	X						
71	445	24.06	860	1.60	X						
77	405	21.98	840	1.75	X						
92	340	18.55	810	2.1	X						
107	290	15.84	775	2.4	X						
116	270	14.69	760	2.6	X						
134	235	12.70	730	3.0	X	K	19	(E)DRS	71S4	25	619
144	215	11.84	715	3.2	X	KF	19	(E)DRS	71S4	25	622
165	191	10.32	685	3.5	X	KA	19	(E)DRS	71S4	24	624
177	178	9.58	685	3.1	X	KAF	19	(E)DRS	71S4	25	622
210	150	8.09	650	4.7	X						
246	128	6.91	620	5.5	X						
265	119	6.41	605	6.0	X						
307	103	5.54	580	6.9	X						
329	96	5.16	565	7.4	X						
378	83	4.50	540	8.5	X						



21933480/EN-US - 04/2018



P_m = 0.75 HP																	
n_a rpm	T_a lb-in	i ratio	F_{Ra}¹⁾ lb	SEW SF f _B	HazLoc -NA®					m lbs							
0.10	389800	16978	42700	1.15	X	K KH	187R97 187R97	(E)DRS (E)DRS	71M4 71M4	3900 3750	712/715 713/715						
0.12	321900	14272	42700	1.35	X												
0.13	291400	13116	42700	1.50	X												
0.15	252300	11647	42700	1.75	X												
0.23	165600	7343	42700	2.7	X												
0.15	265700	11573	33700	1.05	X	K KH	167R97 167R97	(E)DRS (E)DRS	71M4 71M4	2610 2530	710/715 711/715						
0.16	235600	10264	33700	1.20	X												
0.20	194600	8628	33700	1.45	X												
0.26	148000	6562	33700	1.90	X												
0.32	116000	5355	33700	2.4	X												
0.41	90600	4079	33700	3.1	X												
0.25	155200	6881	25300	1.05	X							K KF KA KAF	157R97 157R97 157R97 157R97	(E)DRS (E)DRS (E)DRS (E)DRS	71M4 71M4 71M4 71M4	1740 1920 1660 1790	703/715 704/715 705/715 704/715
0.28	133700	5931	25500	1.20	X												
0.42	89700	3979	25900	1.75	X												
0.55	68800	3051	26000	2.3	X												
0.38	106400	4423	17900	1.10	X	K KF KA KAF	127R77 127R77 127R77 127R77	(E)DRS (E)DRS (E)DRS (E)DRS	71M4 71M4 71M4 71M4	1040 1140 980 1060	696/714 697/714 698/714 697/714						
0.43	93200	3889	18100	1.25	X												
0.51	78600	3311	18200	1.45	X												
0.56	71000	3009	18300	1.60	X												
0.65	60800	2607	18400	1.90	X												
0.88	47300	1926	18500	2.4	X												
0.96	43100	1757	18500	2.7	X	K KF KA KAF	127R77 127R77 127R77 127R77	(E)DRS (E)DRS (E)DRS (E)DRS	71M4 71M4 71M4 71M4	1040 1140 980 1060	696/714 697/714 698/714 697/714						
1.1	37500	1541	18500	3.1	X												
1.3	32900	1342	18500	3.5	X												
1.4	28600	1177	18600	4.0	X												
1.6	25100	1025	18600	4.6	X												
0.57	72200	2977	14600	1.00	X							K KF KA KAF	107R77 107R77 107R77 107R77	(E)DRS (E)DRS (E)DRS (E)DRS	71M4 71M4 71M4 71M4	690 720 630 680	689/714 690/714 691/714 690/714
0.65	63100	2599	14600	1.10	X												
0.74	55000	2286	14600	1.30	X												
0.87	46600	1939	14600	1.50	X												
0.99	42300	1713	14600	1.65	X	K KF KA KAF	107R77 107R77 107R77 107R77	(E)DRS (E)DRS (E)DRS (E)DRS	71M4 71M4 71M4 71M4	690 710 630 680	689/714 690/714 691/714 690/714						
1.1	38400	1554	14600	1.85	X												
1.3	33000	1336	14600	2.1	X												
1.4	28800	1166	14600	2.5	X												
1.6	24600	1030	14600	2.9	X												
1.9	21300	904	14600	3.3	X												
2.1	19400	793	14600	3.6	X												
2.4	16900	696	14600	4.2	X												
2.8	14500	615	14600	4.9	X												
1.2	35300	1430	8990	1.05	X							K KF KA KAF	97R57 97R57 97R57 97R57	(E)DRS (E)DRS (E)DRS (E)DRS	71M4 71M4 71M4 71M4	400 445 360 415	682/714 683/714 684/714 683/714
1.3	31900	1261	8990	1.20	X												
1.5	27900	1102	8990	1.35	X												
1.8	24400	957	8990	1.55	X												
2.0	21800	855	8990	1.75	X												
2.3	18100	743	8990	2.1	X												
2.6	16000	652	8990	2.4	X												
3.0	14400	573	8990	2.6	X												
3.4	12200	504	8990	3.1	X												
3.9	10500	437	8990	3.6	X												
4.4	9450	382	8990	4.0	X												
5.5	7630	305	8990	5.0	X												
1.8	23600	951	6140	1.00	X	K KF KA KAF	87R57 87R57 87R57 87R57	(E)DRS (E)DRS (E)DRS (E)DRS	71M4 71M4 71M4 71M4	265 290 240 270	675/714 676/714 677/714 676/714						
2.0	20700	837	6230	1.15	X												
2.3	17900	726	6300	1.35	X												
2.6	15900	638	6340	1.50	X												
3.0	13900	562	6390	1.70	X												
3.6	11700	474	6430	2.0	X												
4.0	10500	426	6440	2.3	X												
4.5	9220	373	6460	2.6	X												
5.1	8030	330	6480	3.0	X												
5.8	7160	294	6490	3.3	X												
6.8	6250	250	6500	3.8	X												
7.2	5880	236	6500	4.1	X												
8.4	4970	201	6510	4.8	X												



P_m = 0.75 HP

n _a rpm	T _a lb-in	i ratio	F _{Ra} ¹⁾ lb	SEW SF f _B	HazLoc -NA®					m lbs	
3.5	12000	485	3720	1.15	X						
4.0	10600	428	3910	1.30	X						
4.6	9250	367	4070	1.50	X						
5.2	8230	328	4170	1.65	X	K	77R37	(E)DRS	71M4	160	668/714
5.8	7310	290	4250	1.85	X	KF	77R37	(E)DRS	71M4	180	669/714
6.7	6300	252	4320	2.2	X	KA	77R37	(E)DRS	71M4	145	670/714
7.6	5530	221	4370	2.5	X	KAF	77R37	(E)DRS	71M4	160	669/714
8.7	4880	195	4400	2.8	X						
9.7	4320	175	4430	3.2	X						
11	3810	154	4450	3.6	X						
6.1	6960	279	2380	1.05	X						
6.9	6120	246	2540	1.20	X						
7.8	5450	217	2650	1.35	X	K	67R37	(E)DRS	71M4	110	661/714
8.8	4790	191	2740	1.50	X	KF	67R37	(E)DRS	71M4	120	662/714
10	4120	166	2820	1.75	X	KA	67R37	(E)DRS	71M4	100	663/714
12	3630	144	2870	2.0	X	KAF	67R37	(E)DRS	71M4	115	662/714
14	3080	122	2920	2.4	X						
8.8	4800	192	1820	1.10	X						
10	4150	166	1920	1.30	X	K	57R37	(E)DRS	71M4	95	654/714
12	3640	145	1980	1.45	X	KF	57R37	(E)DRS	71M4	105	655/714
13	3280	129	2020	1.60	X	KA	57R37	(E)DRS	71M4	90	656/714
15	2780	111	2070	1.90	X	KAF	57R37	(E)DRS	71M4	105	655/714
17	2450	97	2110	2.2	X						
9.6	4290	176	2020	1.05	X	K	49R37	(E)DRS	71M4	105	650/714
11	3640	152	2020	1.20	X	KF	49R37	(E)DRS	71M4	105	651/714
14	3030	125	2020	1.45	X	KA	49R37	(E)DRS	71M4	97	652/714
17	2370	99	2020	1.85	X	KAF	49R37	(E)DRS	71M4	105	651/714
22	1830	75	1690	1.40	X	K	39R17	(E)DRS	71M4	61	639/714
						KF	39R17	(E)DRS	71M4	65	640/714
						KA	39R17	(E)DRS	71M4	59	641/714
						KAF	39R17	(E)DRS	71M4	62	640/714
5.7	8330	197.37	6470	2.9		K	87	DRS	80S6	225	675
6.4	7350	174.19	6490	3.2		KF	87	DRS	80S6	245	676
6.8	6930	164.34*	6490	3.4		KA	87	DRS	80S6	195	677
7.6	6220	147.32*	6500	3.8		KAF	87	DRS	80S6	225	676
7.3	6500	154.02	4310	2.1		K	77	DRS	80S6	145	668
8.3	5710	135.28	4360	2.4		KF	77	DRS	80S6	165	669
8.7	5420	128.52	4370	2.5		KA	77	DRS	80S6	130	670
9.9	4790	113.56	4410	2.9		KAF	77	DRS	80S6	145	669
11	4300	154.02	4430	3.2	X						
12	3780	135.28	4450	3.6	X	K	77	(E)DRS	71M4	140	668
13	3590	128.52	4460	3.8	X	KF	77	(E)DRS	71M4	160	669
15	3170	113.56	4470	4.3	X	KA	77	(E)DRS	71M4	125	670
17	2710	97.05	4490	5.0	X	KAF	77	(E)DRS	71M4	140	669
9.1	5210	123.54	2690	1.40							
10	4560	108.03	2770	1.60		K	67	DRS	80S6	88	661
11	4330	102.62	2800	1.65		KF	67	DRS	80S6	100	662
12	3800	90.04	2850	1.90		KA	67	DRS	80S6	82	663
15	3220	76.37	2910	2.2		KAF	67	DRS	80S6	95	662
14	3450	123.54	2890	2.1	X	K	67	(E)DRS	71M4	83	661
16	3020	108.03	2920	2.4	X	KF	67	(E)DRS	71M4	96	662
19	2510	90.04	2920	2.9	X	KA	67	(E)DRS	71M4	77	663
22	2130	76.37	2920	3.4	X	KAF	67	(E)DRS	71M4	90	662
10	4570	108.29	1860	1.15							
11	4340	102.88*	1900	1.20		K	57	DRS	80S6	75	654
12	3810	90.26*	1970	1.40		KF	57	DRS	80S6	86	655
15	3230	76.56*	2030	1.65		KA	57	DRS	80S6	71	656
16	2910	69.12	2060	1.80		KAF	57	DRS	80S6	83	655
18	2560	60.81*	2090	2.1							
20	2420	57.42*	2110	2.2							



21933480/EN-US - 04/2018



P_m = 0.75 HP										
n_a rpm	T_a lb-in	i ratio	F_{Ra}¹⁾ lb	SEW SF f_B	HazLoc -NA[®]				m lbs	
14	3460	123.85	2000	1.55	X					
16	3030	108.29	2050	1.75	X					
16	2870	102.88*	2060	1.85	X	K	57	(E)DRS	71M4	70 654
19	2520	90.26*	2100	2.1	X	KF	57	(E)DRS	71M4	81 655
22	2140	76.56*	2130	2.5	X	KA	57	(E)DRS	71M4	66 656
24	1930	69.12	2150	2.7	X	KAF	57	(E)DRS	71M4	78 655
28	1700	60.81*	2170	3.1	X					
29	1600	57.42*	2180	3.3	X					
22	2100	75.20	2020	2.0	X					
24	1960	70.19	2020	2.0	X	K	49	(E)DRS	71M4	84 650
28	1680	60.27	2020	2.6	X	KF	49	(E)DRS	71M4	88 651
32	1480	52.94	2020	3.0	X	KA	49	(E)DRS	71M4	78 652
34	1400	50.29	2020	3.1	X	KAF	49	(E)DRS	71M4	89 651
38	1240	44.44	2020	3.6	X					
44	1060	37.98	2020	4.2	X					
16	2920	104.37	1520	1.20	X					
19	2540	90.86	1610	1.40	X					
20	2380	85.12*	1640	1.50	X					
22	2100	75.20*	1700	1.70	X	K	47	(E)DRS	71M4	57 643
24	1950	69.84	1720	1.80	X	KF	47	(E)DRS	71M4	65 644
27	1770	63.30*	1750	2.0	X	KA	47	(E)DRS	71M4	55 645
30	1590	56.83	1770	2.2	X	KAF	47	(E)DRS	71M4	62 644
35	1360	48.95*	1790	2.6	X					
37	1280	46.03*	1800	2.8	X					
29	1620	58.24	1690	1.65	X					
34	1390	49.69	1690	1.90	X					
39	1210	43.45	1690	2.2	X	K	39	(E)DRS	71M4	55 639
41	1150	41.28	1690	2.3	X	KF	39	(E)DRS	71M4	58 640
47	1010	36.22	1680	2.6	X	KA	39	(E)DRS	71M4	53 641
55	850	30.72	1610	3.1	X	KAF	39	(E)DRS	71M4	56 640
61	775	27.73	1570	3.4	X					
69	680	24.40	1520	3.9	X					
73	640	23.04	1500	4.1	X					
29	1630	58.60	1060	1.10	X					
34	1390	49.79	1040	1.25	X					
38	1240	44.46	1030	1.40	X					
44	1060	37.97	1000	1.65	X					
48	990	35.57	990	1.80	X					
56	830	29.96	960	2.1	X	K	37	(E)DRS	71M4	44 632
59	800	28.83	950	2.2	X	KF	37	(E)DRS	71M4	49 633
68	695	24.99	920	2.5	X	KA	37	(E)DRS	71M4	43 634
72	650	23.36	910	2.6	X	KAF	37	(E)DRS	71M4	47 633
84	560	20.19	880	2.9	X					
99	480	17.15	850	3.3	X					
110	425	15.31	820	3.6	X					
129	365	13.08	790	4.0	X					
139	335	12.14	775	4.2	X					
161	290	10.49	745	4.8	X					
46	1030	36.96	960	1.05	X					
56	840	30.11	930	1.20	X					
57	830	29.69	950	1.40	X					
62	760	27.23	930	1.50	X					
68	695	24.91	890	1.40	X	K	29	(E)DRS	71M4	31 625
73	645	23.19	900	1.75	X	KF	29	(E)DRS	71M4	33 629
77	615	22.08	870	1.50	X	KA	29	(E)DRS	71M4	30 631
85	555	19.99	870	2.1	X	KAF	29	(E)DRS	71M4	32 629
104	455	16.29	820	2.5	X					
125	375	13.47	785	3.0	X					
141	330	11.94	760	3.4	X					
171	275	9.90	740	3.5	X					
198	235	8.53	710	4.5	X					

P_m = 0.75 HP							m lbs	
n_a rpm	T_a lb-in	i ratio	F_{Ra}¹⁾ lb	SEW SF f_B	HazLoc -NA[®]			
70	670	24.06	800	1.05	X			
77	615	21.98	790	1.15	X			
91	515	18.55	760	1.35	X			
107	440	15.84	735	1.60	X			
115	410	14.69	725	1.70	X			
133	355	12.70	700	2.0	X			
143	330	11.84	685	2.1	X	K	19	(E)DRS 71M4 27 619
164	285	10.32	665	2.3	X	KF	19	(E)DRS 71M4 28 622
176	265	9.58	665	2.1	X	KA	19	(E)DRS 71M4 26 624
209	225	8.09	635	3.1	X	KAF	19	(E)DRS 71M4 27 622
245	193	6.91	605	3.7	X			
264	179	6.41	595	4.0	X			
305	155	5.54	570	4.6	X			
327	144	5.16	555	4.9	X			
376	126	4.50	535	5.6	X			

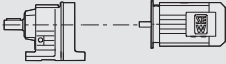

P_m = 1.0 HP							m lbs	
n_a rpm	T_a lb-in	i ratio	F_{Ra}¹⁾ lb	SEW SF f_B	HazLoc -NA[®]			
0.13	387200	13116	42700	1.15	X			
0.15	337300	11647	42700	1.30	X			
0.24	219300	7343	42700	2.0	X	K	187R97	(E)DRN 80M4 3900 712/715
0.26	199200	6747	42700	2.2	X	KH	187R97	(E)DRN 80M4 3760 713/715
0.29	173500	5991	42700	2.5	X			
0.33	151900	5358	42700	2.9	X			
0.20	257700	8628	33700	1.10	X			
0.27	196000	6562	33700	1.45	X			
0.33	155000	5355	33700	1.85	X	K	167R97	(E)DRN 80M4 2620 710/715
0.37	135800	4788	33700	2.1	X	KH	167R97	(E)DRN 80M4 2540 711/715
0.43	120400	4079	33700	2.4	X			
0.52	100800	3376	33700	2.8	X			
0.35	140700	5074	25400	1.15	X			
0.39	125200	4514	25600	1.25	X			
0.44	118800	3979	25700	1.35	X	K	157R97	(E)DRN 80M4 1750 703/715
0.50	99700	3516	25800	1.60	X	KF	157R97	(E)DRN 80M4 1930 704/715
0.57	91100	3051	25900	1.75	X	KA	157R97	(E)DRN 80M4 1670 705/715
0.67	72400	2610	26000	2.2	X	KAF	157R97	(E)DRN 80M4 1800 704/715
0.75	64400	2322	26000	2.5	X			
1.1	50100	1659	26100	3.2	X	K	157R97	(E)DRN 80M4 1750 703/715
1.3	40000	1365	26100	4.0	X	KF	157R97	(E)DRN 80M4 1920 704/715
						KA	157R97	(E)DRN 80M4 1660 705/715
						KAF	157R97	(E)DRN 80M4 1790 704/715
0.53	103000	3311	18000	1.10	X	K	127R77	(E)DRN 80M4 1050 696/714
0.58	93100	3009	18100	1.25	X	KF	127R77	(E)DRN 80M4 1150 697/714
0.67	80000	2607	18200	1.45	X	KA	127R77	(E)DRN 80M4 990 698/714
0.77	69000	2268	18300	1.65	X	KAF	127R77	(E)DRN 80M4 1080 697/714
0.91	61700	1926	18400	1.85	X			
1.0	56200	1757	18400	2.0	X			
1.1	49000	1541	18500	2.3	X	K	127R77	(E)DRN 80M4 1050 696/714
1.3	42900	1342	18500	2.7	X	KF	127R77	(E)DRN 80M4 1150 697/714
1.5	37400	1177	18500	3.1	X	KA	127R77	(E)DRN 80M4 990 698/714
1.7	32800	1025	18500	3.5	X	KAF	127R77	(E)DRN 80M4 1070 697/714
1.9	28600	899	18600	4.0	X			
0.90	60900	1939	14600	1.15	X	K	107R77	(E)DRN 80M4 700 689/714
						KF	107R77	(E)DRN 80M4 730 690/714
						KA	107R77	(E)DRN 80M4 640 691/714
						KAF	107R77	(E)DRN 80M4 690 690/714

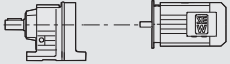

21933480/EN-US - 04/2018



P_m = 1.0 HP										m	
n_a rpm	T_a lb-in	i ratio	F_{Ra}¹⁾ lb	SEW SF f _B	HazLoc -NA [®]				lbs		
1.0	55100	1713	14600	1.30	X						
1.1	50000	1554	14600	1.40	X						
1.3	43000	1336	14600	1.65	X						
1.5	37500	1166	14600	1.90	X	K	107R77	(E)DRN 80M4	700	689/714	
1.7	32200	1030	14600	2.2	X	KF	107R77	(E)DRN 80M4	730	690/714	
1.9	28000	904	14600	2.5	X	KA	107R77	(E)DRN 80M4	640	691/714	
2.2	25300	793	14600	2.8	X	KAF	107R77	(E)DRN 80M4	690	690/714	
2.5	22100	696	14600	3.2	X						
2.9	19100	615	14600	3.7	X						
1.6	36100	1102	8990	1.05	X						
1.8	31600	957	8990	1.20	X						
2.0	28200	855	8990	1.35	X						
2.4	23700	743	8990	1.60	X						
2.7	20900	652	8990	1.80	X						
3.1	18800	573	8990	2.0	X	K	97R57	(E)DRN 80M4	410	682/714	
3.5	16000	504	8990	2.4	X	KF	97R57	(E)DRN 80M4	455	683/714	
4.0	13800	437	8990	2.8	X	KA	97R57	(E)DRN 80M4	370	684/714	
4.6	12300	382	8990	3.1	X	KAF	97R57	(E)DRN 80M4	425	683/714	
5.7	9930	305	8990	3.8	X						
6.8	8360	258	8990	4.5	X						
7.5	7520	232	8990	5.0	X						
8.8	6400	199	8990	5.9	X						
2.4	23300	726	6150	1.00	X						
2.7	20600	638	6230	1.15	X						
3.1	18000	562	6290	1.30	X						
3.7	15200	474	6360	1.55	X						
4.1	13700	426	6390	1.75	X	K	87R57	(E)DRN 80M4	280	675/714	
4.7	12000	373	6420	2.0	X	KF	87R57	(E)DRN 80M4	300	676/714	
5.3	10400	330	6440	2.3	X	KA	87R57	(E)DRN 80M4	250	677/714	
6.0	9370	294	6460	2.5	X	KAF	87R57	(E)DRN 80M4	280	676/714	
7.0	8140	250	6480	2.9	X						
7.4	7660	236	6480	3.1	X						
8.7	6490	201	6500	3.7	X						
4.8	11900	367	3730	1.15	X						
5.3	10600	328	3910	1.30	X						
6.0	9480	290	4050	1.45	X	K	77R37	(E)DRN 80M4	170	668/714	
7.0	8180	252	4180	1.70	X	KF	77R37	(E)DRN 80M4	190	669/714	
7.9	7180	221	4260	1.90	X	KA	77R37	(E)DRN 80M4	155	670/714	
9.0	6330	195	4320	2.2	X	KAF	77R37	(E)DRN 80M4	170	669/714	
10	5630	175	4360	2.4	X						
11	4960	154	4400	2.8	X						
8.1	7080	217	2350	1.00	X	K	67R37	(E)DRN 80M4	120	661/714	
9.1	6210	191	2530	1.15	X	KF	67R37	(E)DRN 80M4	130	662/714	
11	5360	166	2670	1.35	X	KA	67R37	(E)DRN 80M4	110	663/714	
12	4720	144	2750	1.55	X	KAF	67R37	(E)DRN 80M4	125	662/714	
14	4000	122	2830	1.80	X						
12	4730	145	1830	1.10	X	K	57R37	(E)DRN 80M4	105	654/714	
14	4250	129	1910	1.25	X	KF	57R37	(E)DRN 80M4	115	655/714	
16	3620	111	1990	1.45	X	KA	57R37	(E)DRN 80M4	100	656/714	
18	3180	97	2030	1.65	X	KAF	57R37	(E)DRN 80M4	115	655/714	
14	3940	125	2020	1.10	X	K	49R37	(E)DRN 80M4	115	650/714	
18	3090	99	2020	1.45	X	KF	49R37	(E)DRN 80M4	115	651/714	
						KA	49R37	(E)DRN 80M4	105	652/714	
						KAF	49R37	(E)DRN 80M4	120	651/714	
18	3260	99	1420	1.10	X	K	47R37	(E)DRN 80M4	92	643/714	
19	3090	94	1480	1.15	X	KF	47R37	(E)DRN 80M4	99	644/714	
						KA	47R37	(E)DRN 80M4	90	645/714	
						KAF	47R37	(E)DRN 80M4	96	644/714	
23	2370	75	1690	1.10	X	K	39R17	(E)DRN 80M4	71	639/714	
						KF	39R17	(E)DRN 80M4	74	640/714	
						KA	39R17	(E)DRN 80M4	69	641/714	
						KAF	39R17	(E)DRN 80M4	72	640/714	
6.7	9420	174.19	6460	2.5		K	87	DRN 90S6	240	675	
7.1	8880	164.34*	6470	2.7		KF	87	DRN 90S6	260	676	
7.9	7960	147.32*	6480	3.0		KA	87	DRN 90S6	215	677	
9.2	6860	126.91*	6490	3.5		KAF	87	DRN 90S6	245	676	

P_m = 1.0 HP											
n_a rpm	T_a lb-in	i ratio	F_{Ra}¹⁾ lb	SEW SF f_B	HazLoc -NA[®]					m lbs	
8.9	7100	197.37	6490	3.4	X	K	87	(E)DRN	80M4	230	675
10	6260	174.19	6500	3.8	X	KF	87	(E)DRN	80M4	250	676
11	5910	164.34*	6500	4.0	X	KA	87	(E)DRN	80M4	205	677
12	5300	147.32*	6510	4.5	X	KAF	87	(E)DRN	80M4	230	676
8.6	7310	135.28	4250	1.85		K	77	DRN	90S6	160	668
9.1	6950	128.52	4280	1.95		KF	77	DRN	90S6	180	669
10	6140	113.56	4330	2.2		KA	77	DRN	90S6	145	670
12	5240	97.05	4380	2.6		KAF	77	DRN	90S6	165	669
13	4810	88.97	4410	2.9							
11	5540	154.02	4370	2.5	X	K	77	(E)DRN	80M4	150	668
13	4860	135.28	4400	2.8	X	KF	77	(E)DRN	80M4	170	669
14	4620	128.52	4420	3.0	X	KA	77	(E)DRN	80M4	135	670
15	4080	113.56	4440	3.4	X	KAF	77	(E)DRN	80M4	150	669
18	3490	97.05	4460	3.9	X						
11	5840	108.03	2590	1.25							
11	5550	102.62	2640	1.30							
13	4860	90.04	2730	1.50		K	67	DRN	90S6	110	661
15	4130	76.37	2820	1.75		KF	67	DRN	90S6	120	662
17	3720	68.95	2860	1.95		KA	67	DRN	90S6	100	663
19	3280	60.66	2900	2.2		KAF	67	DRN	90S6	115	662
20	3090	57.28	2920	2.3							
24	2630	48.77	2920	2.8							
26	2390	44.32	2920	3.0							
14	4440	123.54	2790	1.65	X						
16	3880	108.03	2850	1.85	X						
17	3690	102.62	2860	1.95	X	K	67	(E)DRN	80M4	94	661
19	3230	90.04	2900	2.2	X	KF	67	(E)DRN	80M4	105	662
23	2740	76.37	2920	2.6	X	KA	67	(E)DRN	80M4	88	663
25	2480	68.95	2920	2.9	X	KAF	67	(E)DRN	80M4	100	662
29	2180	60.66	2920	3.3	X						
31	2060	57.28	2920	3.5	X						
13	4880	90.26*	1800	1.10							
15	4140	76.56*	1930	1.30							
17	3730	69.12	1970	1.40		K	57	DRN	90S6	95	654
19	3280	60.81*	2020	1.60		KF	57	DRN	90S6	105	655
20	3100	57.42*	2040	1.70		KA	57	DRN	90S6	90	656
24	2640	48.89	2090	2.0		KAF	57	DRN	90S6	105	655
26	2400	44.43	2110	2.2							
30	2080	38.49	2140	2.5							
33	1930	35.70	2150	2.8							
14	4450	123.85	1890	1.20	X						
16	3890	108.29	1960	1.35	X						
17	3700	102.88*	1980	1.45	X						
19	3240	90.26*	2030	1.65	X	K	57	(E)DRN	80M4	81	654
23	2750	76.56*	2080	1.95	X	KF	57	(E)DRN	80M4	91	655
25	2480	69.12	2100	2.1	X	KA	57	(E)DRN	80M4	76	656
29	2180	60.81*	2130	2.4	X	KAF	57	(E)DRN	80M4	89	655
30	2060	57.42*	2140	2.6	X						
36	1750	48.89	2170	3.0	X						
39	1590	44.43	2180	3.3	X						
29	2160	60.27	2020	2.0	X						
33	1900	52.94	2020	2.3	X						
35	1800	50.29	2020	2.4	X	K	49	(E)DRN	80M4	95	650
39	1590	44.44	2020	2.8	X	KF	49	(E)DRN	80M4	99	651
46	1360	37.98	2020	3.2	X	KA	49	(E)DRN	80M4	89	652
50	1250	34.81	1980	3.5	X	KAF	49	(E)DRN	80M4	100	651
57	1090	30.55	1920	4.0	X						
60	1040	28.95	1890	4.2	X						

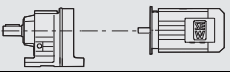

21933480/EN-US - 04/2018



P_m = 1.0 HP											
n_a rpm	T_a lb-in	i ratio	F_{Ra}¹⁾ lb	SEW SF f _B	HazLoc -NA [®]			m lbs			
18	3420	63.30*	1370	1.05							
20	3070	56.83	1480	1.15							
24	2640	48.95*	1590	1.35							
25	2480	46.03*	1620	1.40							
29	2140	39.61	1690	1.65		K	47	DRN	90S6	82	643
33	1910	35.39	1730	1.85		KF	47	DRN	90S6	89	644
37	1690	31.30	1760	2.1		KA	47	DRN	90S6	80	645
40	1580	29.32	1740	2.2		KAF	47	DRN	90S6	86	644
45	1400	25.91	1690	2.5							
48	1300	24.06	1660	2.7							
53	1170	21.81	1620	3.0							
19	3260	90.86	1420	1.10	X						
21	3060	85.12*	1480	1.15	X						
23	2700	75.20*	1570	1.30	X						
25	2510	69.84	1620	1.40	X						
28	2270	63.30*	1660	1.55	X	K	47	(E)DRN	80M4	68	643
31	2040	56.83	1700	1.75	X	KF	47	(E)DRN	80M4	75	644
36	1760	48.95*	1750	2.0	X	KA	47	(E)DRN	80M4	66	645
38	1650	46.03*	1750	2.1	X	KAF	47	(E)DRN	80M4	72	644
44	1420	39.61	1700	2.5	X						
49	1270	35.39	1650	2.8	X						
56	1120	31.30	1610	3.1	X						
35	1780	49.69	1690	1.50	X						
40	1560	43.45	1660	1.70	X						
42	1480	41.28	1640	1.80	X						
48	1300	36.22	1600	2.0	X	K	39	(E)DRN	80M4	65	639
57	1100	30.72	1540	2.4	X	KF	39	(E)DRN	80M4	69	640
63	990	27.73	1500	2.7	X	KA	39	(E)DRN	80M4	63	641
72	870	24.40	1460	3.0	X	KAF	39	(E)DRN	80M4	67	640
76	820	23.04	1440	3.2	X						
89	705	19.62	1380	3.7	X						
98	640	17.83	1350	4.0	X						
113	555	15.44	1290	4.5	X						
39	1620	29.96	930	1.10	X						
47	1350	24.99	920	1.30	X						
50	1260	23.36	910	1.35	X						
58	1090	20.19	890	1.50	X	K	37	DRN	90S6	67	632
68	920	17.15	870	1.70	X	KF	37	DRN	90S6	72	633
76	820	15.31	850	1.85	X	KA	37	DRN	90S6	66	634
89	705	13.08	830	2.1	X	KAF	37	DRN	90S6	70	633
96	655	12.14	820	2.2	X						
111	565	10.49	790	2.5	X						
131	480	8.91	760	2.9	X						
39	1590	44.46	930	1.10	X						
46	1360	37.97	920	1.30	X						
49	1270	35.57	910	1.40	X						
58	1070	29.96	890	1.65	X						
61	1030	28.83	890	1.70	X						
70	890	24.99	870	1.95	X						
75	840	23.36	860	2.0	X	K	37	(E)DRN	80M4	54	632
87	725	20.19	830	2.2	X	KF	37	(E)DRN	80M4	59	633
102	615	17.15	800	2.6	X	KA	37	(E)DRN	80M4	53	634
114	550	15.31	785	2.8	X	KAF	37	(E)DRN	80M4	57	633
134	470	13.08	755	3.1	X						
144	435	12.14	745	3.2	X						
167	375	10.49	715	3.8	X						
196	320	8.91	685	4.4	X						
220	285	7.96	665	4.8	X						

P_m = 1.0 HP											
n _a rpm	T _a lb-in	i ratio	F _{Ra} ¹⁾ lb	SEW SF f _B	HazLoc -NA®					m lbs	
70	890	24.91	830	1.10	X						
76	830	23.19	840	1.40	X						
79	790	22.08	810	1.15	X						
88	715	19.99	820	1.60	X						
108	585	16.29	785	1.95	X	K	29	(E)DRN	80M4	41	625
130	480	13.47	750	2.4	X	KF	29	(E)DRN	80M4	44	629
147	425	11.94	730	2.7	X	KA	29	(E)DRN	80M4	40	631
177	355	9.90	720	2.7	X	KAF	29	(E)DRN	80M4	42	629
191	330	9.17	685	3.5	X						
205	305	8.53	690	3.5	X						
234	265	7.48	645	4.0	X						
252	250	6.95	650	4.0	X						
258	240	13.47	630	4.7							
291	215	11.94	610	5.3							
351	179	9.90	590	5.4		K	29	DRN	80MS2	41	625
379	166	9.17	565	6.9		KF	29	DRN	80MS2	44	629
407	155	8.53	560	7.0		KA	29	DRN	80MS2	40	631
465	136	7.48	530	8.0		KAF	29	DRN	80MS2	42	629
500	126	6.95	530	7.9							
604	104	5.75	500	9.5							
94	665	18.55	715	1.05	X						
111	570	15.84	695	1.25	X						
119	525	14.69	685	1.35	X						
138	455	12.70	665	1.55	X						
148	425	11.84	655	1.65	X	K	19	(E)DRN	80M4	37	619
170	370	10.32	635	1.80	X	KF	19	(E)DRN	80M4	38	622
216	290	8.09	615	2.4	X	KA	19	(E)DRN	80M4	36	624
253	245	6.91	590	2.9	X	KAF	19	(E)DRN	80M4	37	622
273	230	6.41	575	3.1	X						
316	199	5.54	555	3.5	X						
339	186	5.16	540	3.8	X						
389	162	4.50	520	4.4	X						
363	174	9.58	530	3.2							
430	147	8.09	505	4.8		K	19	DRN	80MS2	37	619
503	125	6.91	480	5.7		KF	19	DRN	80MS2	38	622
543	116	6.41	470	6.1		KA	19	DRN	80MS2	36	624
627	100	5.54	450	7.0		KAF	19	DRN	80MS2	37	622
673	94	5.16	440	7.6							
772	82	4.50	425	8.7							



P_m = 1.5 HP											
n _a rpm	T _a lb-in	i ratio	F _{Ra} ¹⁾ lb	SEW SF f _B	HazLoc -NA®					m lbs	
0.19	412100	9363	42700	1.05	X						
0.22	350400	8126	42700	1.25	X						
0.24	338800	7343	42700	1.30	X						
0.26	309000	6747	42700	1.45	X						
0.29	271000	5991	42700	1.65	X	K	187R97	(E)DRN	90S4	3920	712/715
0.33	239100	5358	42700	1.85	X	KH	187R97	(E)DRN	90S4	3770	713/715
0.37	212000	4817	42700	2.1	X						
0.40	192300	4370	42700	2.3	X						
0.49	170300	3609	42700	2.6	X	K	187R97	(E)DRN	90S4	3910	712/715
						KH	187R97	(E)DRN	90S4	3760	713/715
0.33	242200	5355	33700	1.15	X						
0.37	213700	4788	33700	1.30	X						
0.43	186800	4079	33700	1.50	X	K	167R97	(E)DRN	90S4	2630	710/715
0.52	155700	3376	33700	1.80	X	KH	167R97	(E)DRN	90S4	2550	711/715
0.64	124600	2755	33700	2.3	X						
0.81	102900	2182	33700	2.8	X						
1.0	78900	1704	33700	3.6	X	K	167R97	(E)DRN	90S4	2630	710/715
1.2	65700	1408	33700	4.3	X	KH	167R97	(E)DRN	90S4	2540	711/715
1.4	60000	1296	33700	4.7	X						



21933480/EN-US - 04/2018

P_m = 1.5 HP											
n_a rpm	T_a lb-in	i ratio	F_{Ra}¹⁾ lb	SEW SF f _B	HazLoc -NA [®]			m lbs			
0.50	156900	3516	25200	1.00	X	K	157R97	(E)DRN	90S4	1760	703/715
0.58	140800	3051	25400	1.15	X	KF	157R97	(E)DRN	90S4	1940	704/715
0.68	114800	2610	25700	1.40	X	KA	157R97	(E)DRN	90S4	1680	705/715
0.76	102200	2322	25800	1.55	X	KAF	157R97	(E)DRN	90S4	1810	704/715
1.1	77400	1659	26000	2.1	X						
1.3	62500	1365	26100	2.5	X	K	157R97	(E)DRN	90S4	1760	703/715
1.4	55500	1229	26100	2.9	X	KF	157R97	(E)DRN	90S4	1930	704/715
1.6	49400	1093	26100	3.2	X	KA	157R97	(E)DRN	90S4	1680	705/715
1.9	42500	942	26100	3.7	X	KAF	157R97	(E)DRN	90S4	1810	704/715
2.1	38000	854	26200	4.2	X						
0.78	105900	2268	17900	1.10	X	K	127R77	(E)DRN	90S4	1070	696/714
						KF	127R77	(E)DRN	90S4	1160	697/714
						KA	127R77	(E)DRN	90S4	1000	698/714
						KAF	127R77	(E)DRN	90S4	1090	697/714
0.91	93400	1926	18100	1.25	X						
1.0	85200	1757	18200	1.35	X						
1.1	74400	1541	18300	1.55	X						
1.3	65000	1342	18400	1.75	X						
1.5	56800	1177	18400	2.0	X	K	127R77	(E)DRN	90S4	1060	696/714
1.7	49700	1025	18500	2.3	X	KF	127R77	(E)DRN	90S4	1160	697/714
2.0	43400	899	18500	2.6	X	KA	127R77	(E)DRN	90S4	1000	698/714
2.2	37100	790	18500	3.1	X	KAF	127R77	(E)DRN	90S4	1080	697/714
2.5	33800	704	18500	3.4	X						
2.9	29000	610	18600	4.0	X						
3.2	26200	549	18600	4.4	X						
3.7	22400	477	18600	5.1	X						
1.3	65000	1336	14600	1.10	X						
1.5	56700	1166	14600	1.25	X						
1.7	49200	1030	14600	1.45	X						
1.9	42900	904	14600	1.65	X						
2.2	38400	793	14600	1.85	X	K	107R77	(E)DRN	90S4	710	689/714
2.5	33600	696	14600	2.1	X	KF	107R77	(E)DRN	90S4	740	690/714
2.9	29200	615	14600	2.4	X	KA	107R77	(E)DRN	90S4	650	691/714
3.4	24800	522	14600	2.9	X	KAF	107R77	(E)DRN	90S4	700	690/714
3.8	21700	461	14600	3.2	X						
4.3	19100	408	14600	3.7	X						
4.8	17400	364	14600	4.1	X						
5.5	15200	318	14600	4.6	X						
2.4	35900	743	8990	1.05	X						
2.7	31600	652	8990	1.20	X						
3.1	28300	573	8990	1.35	X	K	97R57	(E)DRN	90S4	425	682/714
3.5	24300	504	8990	1.55	X	KF	97R57	(E)DRN	90S4	470	683/714
4.0	21000	437	8990	1.80	X	KA	97R57	(E)DRN	90S4	385	684/714
4.6	18600	382	8990	2.0	X	KAF	97R57	(E)DRN	90S4	440	683/714
5.2	16300	342	8990	2.3	X						
5.8	15000	305	8990	2.5	X						
3.7	23000	474	6160	1.05	X						
4.1	20700	426	6230	1.15	X						
4.7	18200	373	6290	1.30	X						
5.3	15900	330	6340	1.50	X	K	87R57	(E)DRN	90S4	290	675/714
6.0	14200	294	6380	1.70	X	KF	87R57	(E)DRN	90S4	310	676/714
7.0	12300	250	6420	1.95	X	KA	87R57	(E)DRN	90S4	265	677/714
7.5	11600	236	6430	2.1	X	KAF	87R57	(E)DRN	90S4	295	676/714
8.8	9840	201	6450	2.4	X						
9.6	8920	183	6470	2.7	X						
7.0	12300	252	3680	1.10	X	K	77R37	(E)DRN	90S4	185	668/714
8.0	10800	221	3890	1.25	X	KF	77R37	(E)DRN	90S4	200	669/714
9.0	9550	195	4040	1.45	X	KA	77R37	(E)DRN	90S4	170	670/714
10	8500	175	4150	1.60	X	KAF	77R37	(E)DRN	90S4	185	669/714
11	7500	154	4230	1.85	X						
12	7120	144	2350	1.00	X	K	67R37	(E)DRN	90S4	130	661/714
14	6030	122	2560	1.20	X	KF	67R37	(E)DRN	90S4	145	662/714
						KA	67R37	(E)DRN	90S4	125	663/714
						KAF	67R37	(E)DRN	90S4	135	662/714

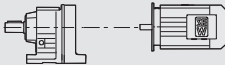

P_m = 1.5 HP											
n_a rpm	T_a lb-in	i ratio	F_{Ra}¹⁾ lb	SEW SF f _B	HazLoc -NA [®]					m lbs	
7.7	12200	153.21*	8990	3.1		K	97	DRN	112M6	425	682
8.4	11200	140.28	8990	3.4		KF	97	DRN	112M6	470	683
9.6	9900	123.93*	8990	3.8		KA	97	DRN	112M6	385	684
						KAF	97	DRN	112M6	440	683
10	9440	176.05*	8990	4.0	X	K	97	(E)DRN	90S4	370	682
12	8210	153.21*	8990	4.6	X	KF	97	(E)DRN	90S4	415	683
13	7520	140.28	8990	5.1	X	KA	97	(E)DRN	90S4	330	684
						KAF	97	(E)DRN	90S4	385	683
9.3	10100	126.91*	6450	2.4		K	87	DRN	112M6	295	675
						KF	87	DRN	112M6	315	676
						KA	87	DRN	112M6	265	677
						KAF	87	DRN	112M6	295	676
8.9	10500	197.37	6440	2.3	X						
10	9340	174.19	6460	2.6	X						
11	8810	164.34*	6470	2.7	X	K	87	(E)DRN	90S4	240	675
12	7900	147.32*	6480	3.0	X	KF	87	(E)DRN	90S4	260	676
14	6800	126.91*	6490	3.5	X	KA	87	(E)DRN	90S4	215	677
15	6210	115.82	6500	3.9	X	KAF	87	(E)DRN	90S4	245	676
12	7750	97.05	4210	1.75		K	77	DRN	112M6	215	668
						KF	77	DRN	112M6	230	669
						KA	77	DRN	112M6	200	670
						KAF	77	DRN	112M6	215	669
11	8260	154.02	4170	1.65	X						
13	7250	135.28	4250	1.90	X						
14	6890	128.52	4280	2.0	X	K	77	(E)DRN	90S4	160	668
16	6090	113.56	4340	2.2	X	KF	77	(E)DRN	90S4	180	669
18	5200	97.05	4390	2.6	X	KA	77	(E)DRN	90S4	145	670
20	4770	88.97	4410	2.9	X	KAF	77	(E)DRN	90S4	165	669
23	4180	78.07	4440	3.3	X						
24	3960	73.99	4450	3.5	X						
14	6620	123.54	2450	1.10	X						
16	5790	108.03	2600	1.25	X						
17	5500	102.62	2640	1.30	X						
20	4820	90.04	2740	1.50	X						
23	4090	76.37	2820	1.75	X	K	67	(E)DRN	90S4	110	661
26	3690	68.95	2860	1.95	X	KF	67	(E)DRN	90S4	120	662
29	3250	60.66	2900	2.2	X	KA	67	(E)DRN	90S4	100	663
31	3070	57.28	2920	2.4	X	KAF	67	(E)DRN	90S4	115	662
36	2610	48.77	2920	2.8	X						
40	2370	44.32	2920	3.0	X						
46	2050	38.39	2920	3.4	X						
20	4840	90.26*	1810	1.10	X						
23	4100	76.56*	1930	1.30	X						
25	3700	69.12	1980	1.45	X						
29	3260	60.81*	2030	1.65	X						
31	3070	57.42*	2040	1.70	X						
36	2620	48.89	2090	2.0	X						
40	2380	44.43	2110	2.2	X						
46	2060	38.49	2140	2.6	X						
49	1910	35.70	2150	2.8	X						
58	1620	30.28	2070	3.3	X						
64	1460	27.34	2020	3.6	X						
73	1290	24.05	1950	4.1	X	K	57	(E)DRN	90S4	95	654
78	1210	22.71	1920	4.4	X	KF	57	(E)DRN	90S4	105	655
91	1030	19.34	1840	4.9	X	KA	57	(E)DRN	90S4	90	656
100	940	17.57	1790	5.2	X	KAF	57	(E)DRN	90S4	105	655
116	810	15.22	1720	5.8	X						
133	710	13.25	1660	6.3	X						
148	635	11.92	1590	5.7	X						
157	600	11.26	1570	6.1	X						
184	510	9.59	1500	7.0	X						
202	465	8.71	1460	7.4	X						
234	400	7.55	1390	8.0	X						
268	350	6.57	1340	8.7	X						
376	250	4.69	1210	11	X						

21933480/EN-US - 04/2018



P_m = 1.5 HP							m lbs			
n_a rpm	T_a lb-in	i ratio	F_{Ra}¹⁾ lb	SEW SF f_B	HazLoc -NA[®]					
29	3230	60.27	2020	1.35	X					
33	2830	52.94	2020	1.55	X					
35	2690	50.29	2000	1.65	X					
40	2380	44.44	1960	1.85	X					
46	2030	37.98	1900	2.2	X	K	49	(E)DRN 90S4	105	650
51	1860	34.81	1860	2.4	X	KF	49	(E)DRN 90S4	110	651
58	1630	30.55	1810	2.7	X	KA	49	(E)DRN 90S4	100	652
61	1550	28.95	1790	2.9	X	KAF	49	(E)DRN 90S4	110	651
70	1350	25.34	1740	3.3	X					
77	1220	22.83	1690	3.6	X					
88	1070	20.03	1640	4.1	X					
28	3390	63.30*	1380	1.05	X					
31	3040	56.83	1490	1.15	X					
36	2620	48.95*	1590	1.35	X					
38	2460	46.03*	1590	1.45	X					
44	2120	39.61	1560	1.65	X	K	47	(E)DRN 90S4	82	643
50	1890	35.39	1530	1.85	X	KF	47	(E)DRN 90S4	89	644
56	1670	31.30	1500	2.1	X	KA	47	(E)DRN 90S4	80	645
60	1570	29.32	1480	2.2	X	KAF	47	(E)DRN 90S4	86	644
68	1380	25.91	1440	2.5	X					
73	1290	24.06	1420	2.7	X					
81	1160	21.81	1390	3.0	X					
90	1050	19.58	1350	3.4	X					
35	2660	49.69	1500	1.00	X					
41	2330	43.45	1490	1.15	X					
43	2210	41.28	1480	1.20	X					
49	1940	36.22	1450	1.35	X					
57	1640	30.72	1420	1.60	X					
64	1480	27.73	1390	1.80	X	K	39	(E)DRN 90S4	79	639
72	1300	24.40	1360	2.0	X	KF	39	(E)DRN 90S4	83	640
76	1230	23.04	1340	2.1	X	KA	39	(E)DRN 90S4	77	641
90	1050	19.62	1300	2.5	X	KAF	39	(E)DRN 90S4	81	640
99	950	17.83	1270	2.7	X					
114	820	15.44	1230	3.0	X					
131	720	13.44	1190	3.3	X					
138	680	12.73	1230	3.2	X					
146	645	12.09	1210	3.5	X					
166	565	10.61	1160	4.4	X					
59	1600	29.96	765	1.10	X					
61	1540	28.83	765	1.15	X					
71	1340	24.99	760	1.30	X					
75	1250	23.36	760	1.40	X					
87	1080	20.19	745	1.50	X					
103	920	17.15	730	1.75	X					
115	820	15.31	720	1.90	X	K	37	(E)DRN 90S4	67	632
135	700	13.08	700	2.1	X	KF	37	(E)DRN 90S4	72	633
145	650	12.14	690	2.2	X	KA	37	(E)DRN 90S4	66	634
168	560	10.49	675	2.5	X	KAF	37	(E)DRN 90S4	70	633
198	475	8.91	650	3.0	X					
221	425	7.96	635	3.2	X					
259	360	6.80	610	3.6	X					
277	340	6.37	600	3.8	X					
329	285	5.36	575	4.3	X					
443	210	3.98	530	5.2	X					
88	1070	19.99	735	1.05	X					
108	870	16.29	715	1.30	X					
131	720	13.47	695	1.60	X					
148	640	11.94	680	1.80	X	K	29	(E)DRN 90S4	54	625
178	530	9.90	685	1.85	X	KF	29	(E)DRN 90S4	57	629
192	490	9.17	645	2.3	X	KA	29	(E)DRN 90S4	53	631
206	455	8.53	660	2.4	X	KAF	29	(E)DRN 90S4	55	629
236	400	7.48	615	2.7	X					
253	370	6.95	625	2.7	X					
306	305	5.75	595	3.2	X					
346	270	5.10	575	3.6	X					

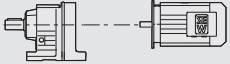

P_m = 1.5 HP								m			
n_a rpm	T_a lb-in	i ratio	F_{Ra}¹⁾ lb	SEW SF f_B	HazLoc -NA[®]			lbs			
352	265	9.90	575	3.6							
380	245	9.17	545	4.6							
408	230	8.53	550	4.7		K	29	DRN	80M2	41	625
466	200	7.48	515	5.4		KF	29	DRN	80M2	44	629
501	189	6.95	520	5.3		KA	29	DRN	80M2	40	631
606	156	5.75	490	6.3		KAF	29	DRN	80M2	42	629
684	138	5.10	470	7.0							
139	680	12.70	600	1.05	X						
149	635	11.84	595	1.10	X						
171	550	10.32	585	1.20	X						
218	430	8.09	585	1.65	X	K	19	(E)DRN	90S4	50	619
255	370	6.91	560	1.90	X	KF	19	(E)DRN	90S4	51	622
275	340	6.41	550	2.1	X	KA	19	(E)DRN	90S4	49	624
318	295	5.54	530	2.4	X	KAF	19	(E)DRN	90S4	50	622
341	275	5.16	520	2.6	X						
392	240	4.50	505	2.9	X						
431	215	8.09	490	3.2		K	19	DRN	80M2	37	619
504	187	6.91	470	3.8		KF	19	DRN	80M2	38	622
544	174	6.41	460	4.1		KA	19	DRN	80M2	36	624
629	150	5.54	440	4.7		KAF	19	DRN	80M2	37	622
675	140	5.16	430	5.1							
774	122	4.50	415	5.8							

10

P_m = 2.0 HP								m			
n_a rpm	T_a lb-in	i ratio	F_{Ra}¹⁾ lb	SEW SF f_B	HazLoc -NA[®]			lbs			
0.26	419000	6747	42700	1.05	X						
0.29	368700	5991	42700	1.20	X						
0.33	326400	5358	42700	1.35	X	K	187R97	(E)DRN	90L4	3920	712/715
0.37	290500	4817	42700	1.50	X	KH	187R97	(E)DRN	90L4	3780	713/715
0.40	263600	4370	42700	1.70	X						
0.49	229800	3609	42700	1.90	X						
0.58	193400	3062	42700	2.3	X	K	187R97	(E)DRN	90L4	3920	712/715
0.70	156900	2519	42700	2.8	X	KH	187R97	(E)DRN	90L4	3770	713/715
0.78	139800	2268	42700	3.2	X						
0.43	253300	4079	33700	1.10	X	K	167R97	(E)DRN	90L4	2640	710/715
0.52	210800	3376	33700	1.35	X	KH	167R97	(E)DRN	90L4	2560	711/715
0.64	169500	2755	33700	1.65	X						
0.81	138900	2182	33700	2.0	X						
1.0	107100	1704	33700	2.6	X	K	167R97	(E)DRN	90L4	2630	710/715
1.3	88900	1408	33700	3.2	X	KH	167R97	(E)DRN	90L4	2550	711/715
1.4	81400	1296	33700	3.5	X						
0.76	140000	2322	25400	1.15	X	K	157R97	(E)DRN	90L4	1770	703/715
						KF	157R97	(E)DRN	90L4	1940	704/715
						KA	157R97	(E)DRN	90L4	1690	705/715
						KAF	157R97	(E)DRN	90L4	1820	704/715
1.1	104800	1659	25800	1.50	X						
1.3	85000	1365	25900	1.85	X						
1.4	75800	1229	26000	2.1	X	K	157R97	(E)DRN	90L4	1760	703/715
1.6	67400	1093	26000	2.4	X	KF	157R97	(E)DRN	90L4	1940	704/715
1.9	58100	942	26100	2.7	X	KA	157R97	(E)DRN	90L4	1680	705/715
2.1	52100	854	26100	3.1	X	KAF	157R97	(E)DRN	90L4	1810	704/715
3.1	34000	567	26200	4.7	X						
3.5	30300	504	26200	5.2	X						
3.3	33200	536	18500	3.5	X	K	127R87	(E)DRN	90L4	1120	696/714
4.2	26100	418	18600	4.4	X	KF	127R87	(E)DRN	90L4	1210	697/714
4.8	23100	367	18600	5.0	X	KA	127R87	(E)DRN	90L4	1050	698/714
						KAF	127R87	(E)DRN	90L4	1140	697/714



21933480/EN-US - 04/2018

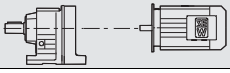

P_m = 2.0 HP										m	
n_a rpm	T_a lb-in	i ratio	F_{Ra}¹⁾ lb	SEW SF f _B	HazLoc -NA [®]				lbs		
1.0	114200	1757	17800	1.00	X						
1.1	99900	1541	18000	1.15	X						
1.3	87200	1342	18100	1.30	X						
1.5	76300	1177	18300	1.50	X						
1.7	66600	1025	18300	1.75	X	K	127R77	(E)DRN 90L4	1070	696/714	
2.0	58200	899	18400	1.95	X	KF	127R77	(E)DRN 90L4	1160	697/714	
2.2	50200	790	18500	2.3	X	KA	127R77	(E)DRN 90L4	1010	698/714	
2.5	45400	704	18500	2.5	X	KAF	127R77	(E)DRN 90L4	1090	697/714	
2.9	39100	610	18500	2.9	X						
3.2	35300	549	18500	3.3	X						
3.7	30300	477	18600	3.8	X						
4.2	26900	418	18600	4.3	X						
1.7	66200	1030	14600	1.05	X						
2.0	57800	904	14600	1.20	X						
2.2	51500	793	14600	1.35	X						
2.5	45000	696	14600	1.55	X	K	107R77	(E)DRN 90L4	720	689/714	
2.9	39400	615	14600	1.80	X	KF	107R77	(E)DRN 90L4	740	690/714	
3.4	33400	522	14600	2.1	X	KA	107R77	(E)DRN 90L4	660	691/714	
3.8	29300	461	14600	2.4	X	KAF	107R77	(E)DRN 90L4	710	690/714	
4.3	25900	408	14600	2.7	X						
4.9	23400	364	14600	3.0	X						
5.6	20500	318	14600	3.5	X						
3.1	37900	573	8990	1.00	X						
3.5	32600	504	8990	1.15	X						
4.0	28200	437	8990	1.35	X	K	97R57	(E)DRN 90L4	435	682/714	
4.6	24900	382	8990	1.55	X	KF	97R57	(E)DRN 90L4	475	683/714	
5.2	22000	342	8990	1.75	X	KA	97R57	(E)DRN 90L4	395	684/714	
5.8	20100	305	8990	1.90	X	KAF	97R57	(E)DRN 90L4	445	683/714	
6.9	16900	258	8990	2.2	X						
7.6	15200	232	8990	2.5	X						
8.9	13000	199	8990	2.9	X						
5.4	21300	330	6210	1.10	X						
6.0	19100	294	6270	1.25	X						
7.1	16400	250	6330	1.45	X	K	87R57	(E)DRN 90L4	300	675/714	
7.5	15500	236	6350	1.55	X	KF	87R57	(E)DRN 90L4	320	676/714	
8.8	13100	201	6400	1.80	X	KA	87R57	(E)DRN 90L4	270	677/714	
9.7	11900	183	6420	2.0	X	KAF	87R57	(E)DRN 90L4	300	676/714	
11	10300	159	6450	2.3	X						
13	9170	141	6460	2.5	X						
9.1	12700	195	3620	1.05	X	K	77R37	(E)DRN 90L4	190	668/714	
10	11300	175	3820	1.20	X	KF	77R37	(E)DRN 90L4	210	669/714	
11	10000	154	3990	1.35	X	KA	77R37	(E)DRN 90L4	175	670/714	
						KAF	77R37	(E)DRN 90L4	190	669/714	
7.7	16300	153.21*	8990	2.3		K	97	DRN 112M6	425	682	
8.4	14900	140.28	8990	2.5		KF	97	DRN 112M6	470	683	
9.5	13200	123.93*	8990	2.9		KA	97	DRN 112M6	385	684	
						KAF	97	DRN 112M6	440	683	
10	12500	176.05*	8990	3.0	X	K	97	(E)DRN 90L4	380	682	
12	10900	153.21*	8990	3.5	X	KF	97	(E)DRN 90L4	425	683	
13	10000	140.28	8990	3.8	X	KA	97	(E)DRN 90L4	340	684	
14	8830	123.93*	8990	4.3	X	KAF	97	(E)DRN 90L4	395	683	
9.3	13500	126.91*	6390	1.75		K	87	DRN 112M6	295	675	
10	12300	115.82	6410	1.95		KF	87	DRN 112M6	315	676	
12	10900	102.71*	6440	2.2		KA	87	DRN 112M6	265	677	
						KAF	87	DRN 112M6	295	676	
10	12400	174.19	6410	1.90	X						
11	11700	164.34*	6420	2.0	X	K	87	(E)DRN 90L4	250	675	
12	10500	147.32*	6440	2.3	X	KF	87	(E)DRN 90L4	270	676	
14	9050	126.91*	6460	2.6	X	KA	87	(E)DRN 90L4	220	677	
15	8250	115.82	6480	2.9	X	KAF	87	(E)DRN 90L4	250	676	
17	7320	102.71*	6490	3.3	X						
20	6150	86.34	6500	3.9	X						
12	10300	97.05	3950	1.30		K	77	DRN 112M6	215	668	
13	9490	88.97	4050	1.45		KF	77	DRN 112M6	230	669	
						KA	77	DRN 112M6	200	670	
15	8330	78.07	4160	1.65		KAF	77	DRN 112M6	215	669	

P_m = 2.0 HP											
n_a rpm	T_a lb-in	i ratio	F_{Ra}¹⁾ lb	SEW SF f_B	HazLoc -NA[®]				m lbs		
13	9640	135.28	4030	1.40	X						
14	9160	128.52	4080	1.50	X						
16	8090	113.56	4180	1.70	X						
18	6920	97.05	4280	2.0	X						
20	6340	88.97	4320	2.2	X	K	77	(E)DRN 90L4	170	668	
23	5560	78.07	4370	2.5	X	KF	77	(E)DRN 90L4	185	669	
24	5270	73.99	4380	2.6	X	KA	77	(E)DRN 90L4	150	670	
27	4610	64.75	4420	3.0	X	KAF	77	(E)DRN 90L4	170	669	
30	4160	58.34	4440	3.3	X						
35	3640	51.18	4460	3.8	X						
39	3220	45.16	4470	4.3	X						
44	2850	40.04	4480	4.8	X						
20	6420	90.04	2490	1.15	X						
23	5440	76.37	2650	1.35	X						
26	4910	68.95	2730	1.50	X						
29	4320	60.66	2800	1.70	X						
31	4080	57.28	2830	1.80	X	K	67	(E)DRN 90L4	115	661	
36	3470	48.77	2880	2.1	X	KF	67	(E)DRN 90L4	125	662	
40	3160	44.32	2910	2.3	X	KA	67	(E)DRN 90L4	110	663	
46	2730	38.39	2920	2.6	X	KAF	67	(E)DRN 90L4	120	662	
50	2530	35.62	2920	2.9	X						
58	2150	30.22	2920	3.4	X						
65	1940	27.28	2920	3.7	X						
74	1710	24.00	2920	4.1	X						
26	4920	69.12	1790	1.10	X						
29	4330	60.81*	1900	1.20	X						
31	4090	57.42*	1930	1.30	X						
36	3480	48.89	2000	1.50	X						
40	3160	44.43	2040	1.70	X	K	57	(E)DRN 90L4	100	654	
46	2740	38.49	2070	1.95	X	KF	57	(E)DRN 90L4	110	655	
49	2540	35.70	2040	2.1	X	KA	57	(E)DRN 90L4	97	656	
58	2150	30.28	1980	2.5	X	KAF	57	(E)DRN 90L4	110	655	
65	1940	27.34	1930	2.7	X						
73	1710	24.05	1880	3.1	X						
78	1610	22.71	1850	3.3	X						
91	1370	19.34	1780	3.7	X						
33	3770	52.94	1840	1.15	X						
35	3580	50.29	1840	1.25	X						
40	3160	44.44	1810	1.40	X						
47	2700	37.98	1770	1.65	X						
51	2480	34.81	1750	1.80	X						
58	2170	30.55	1710	2.0	X	K	49	(E)DRN 90L4	115	650	
61	2060	28.95	1700	2.1	X	KF	49	(E)DRN 90L4	115	651	
70	1800	25.34	1650	2.5	X	KA	49	(E)DRN 90L4	105	652	
77	1620	22.83	1620	2.7	X	KAF	49	(E)DRN 90L4	120	651	
88	1420	20.03	1570	3.1	X						
100	1260	17.67	1530	3.5	X						
113	1110	15.67	1480	3.9	X						
132	950	13.38	1430	4.4	X						
38	3280	46.03*	1420	1.10	X						
45	2820	39.61	1420	1.25	X						
50	2520	35.39	1410	1.40	X						
56	2230	31.30	1390	1.60	X						
60	2090	29.32	1380	1.70	X						
68	1840	25.91	1350	1.90	X	K	47	(E)DRN 90L4	89	643	
73	1710	24.06	1330	2.1	X	KF	47	(E)DRN 90L4	96	644	
81	1550	21.81	1310	2.3	X	KA	47	(E)DRN 90L4	87	645	
90	1390	19.58	1290	2.5	X	KAF	47	(E)DRN 90L4	93	644	
105	1200	16.86	1250	2.8	X						
111	1130	15.86	1230	3.0	X						
129	970	13.65	1190	3.3	X						
145	860	12.19	1160	3.6	X						
150	830	11.77	1140	3.0	X						



10

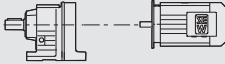

21933480/EN-US - 04/2018

P_m = 2.0 HP							m lbs			
n_a rpm	T_a lb-in	i ratio	F_{Ra}¹⁾ lb	SEW SF f_B	HazLoc -NA[®]					
49	2580	36.22	1310	1.05	X					
58	2190	30.72	1300	1.20	X					
64	1970	27.73	1280	1.35	X					
72	1740	24.40	1260	1.55	X					
77	1640	23.04	1250	1.60	X					
90	1390	19.62	1220	1.85	X	K	39	(E)DRN 90L4	86	639
99	1270	17.83	1200	2.0	X	KF	39	(E)DRN 90L4	90	640
114	1100	15.44	1170	2.2	X	KA	39	(E)DRN 90L4	84	641
131	950	13.44	1140	2.5	X	KAF	39	(E)DRN 90L4	87	640
139	900	12.73	1190	2.4	X					
146	860	12.09	1180	2.6	X					
167	755	10.61	1140	3.3	X					
196	640	9.00	1090	4.1	X					
217	575	8.12	1060	4.6	X					
76	1660	23.36	660	1.05	X					
88	1430	20.19	665	1.15	X					
103	1220	17.15	660	1.30	X					
115	1090	15.31	655	1.40	X					
135	930	13.08	645	1.55	X	K	37	(E)DRN 90L4	74	632
146	860	12.14	640	1.65	X	KF	37	(E)DRN 90L4	79	633
168	745	10.49	630	1.90	X	KA	37	(E)DRN 90L4	73	634
198	635	8.91	615	2.2	X	KAF	37	(E)DRN 90L4	77	633
222	565	7.96	600	2.4	X					
260	480	6.80	580	2.7	X					
278	450	6.37	575	2.8	X					
329	380	5.36	555	3.2	X					
444	280	3.98	515	3.9	X					
108	1160	16.29	650	1.00						
131	960	13.47	640	1.20	X					
148	850	11.94	630	1.35	X					
193	650	9.17	605	1.75	X	K	29	(E)DRN 90L4	61	625
207	605	8.53	635	1.75	X	KF	29	(E)DRN 90L4	63	629
236	530	7.48	585	2.0	X	KA	29	(E)DRN 90L4	60	631
254	495	6.95	605	2.0	X	KAF	29	(E)DRN 90L4	62	629
307	410	5.75	580	2.4	X					
347	360	5.10	560	2.7	X					
451	275	3.92	520	4.0	X					
554	225	3.19	495	4.3	X					
382	325	9.17	525	3.5						
411	305	8.53	535	3.5		K	29	DRN 90S2	54	625
469	265	7.48	500	4.0		KF	29	DRN 90S2	57	629
504	245	6.95	505	4.0		KA	29	DRN 90S2	53	631
610	205	5.75	480	4.8		KAF	29	DRN 90S2	55	629
688	183	5.10	465	5.3						
895	141	3.92	430	7.9						
1100	115	3.19	405	8.5						
189	665	18.55	530	1.05						
221	565	15.84	520	1.25		K	19	DRN 90S2	50	619
239	525	14.69	515	1.35		KF	19	DRN 90S2	51	622
276	455	12.70	500	1.55		KA	19	DRN 90S2	49	624
296	425	11.84	495	1.65		KAF	19	DRN 90S2	50	622
340	370	10.32	480	1.80						
433	290	8.09	475	2.4						
507	245	6.91	455	2.9						
547	230	6.41	445	3.1						
633	199	5.54	430	3.5						
679	186	5.16	420	3.8						
779	162	4.50	405	4.4						

P_m = 3.0 HP											
n_a rpm	T_a lb-in	i ratio	F_{Ra}¹⁾ lb	SEW SF f _B	HazLoc -NA®					m lbs	
0.40	408600	4370	42700	1.10	X	K	187R97	(E)DRN	100LM4	3950	712/715
0.63	254900	2818	42700	1.75	X	KH	187R97	(E)DRN	100LM4	3800	713/715
0.49	351000	3609	42700	1.25	X						
0.58	296300	3062	42700	1.50	X						
0.70	241500	2519	42700	1.85	X	K	187R97	(E)DRN	100LM4	3940	712/715
0.78	216000	2268	42700	2.0	X	KH	187R97	(E)DRN	100LM4	3790	713/715
0.86	194300	2054	42700	2.3	X						
0.97	170700	1821	42700	2.6	X						
1.1	151900	1605	42700	2.9	X						
0.64	260900	2755	33700	1.10	X	K	167R97	(E)DRN	100LM4	2670	710/715
0.78	207800	2263	33700	1.35	X	KH	167R97	(E)DRN	100LM4	2580	711/715
0.81	212200	2182	33700	1.35	X						
1.0	164300	1704	33700	1.70	X						
1.2	136200	1408	33700	2.1	X	K	167R97	(E)DRN	100LM4	2660	710/715
1.4	124900	1296	33700	2.3	X	KH	167R97	(E)DRN	100LM4	2570	711/715
1.6	103200	1101	33700	2.7	X						
1.9	89300	944	33700	3.2	X						
1.1	160500	1659	25200	1.00							
1.3	130800	1365	25500	1.20	X						
1.4	117000	1229	25700	1.35	X	K	157R97	(E)DRN	100LM4	1790	703/715
1.6	104100	1093	25800	1.55	X	KF	157R97	(E)DRN	100LM4	1960	704/715
1.9	89700	942	25900	1.75	X	KA	157R97	(E)DRN	100LM4	1710	705/715
2.1	80700	854	26000	1.95	X	KAF	157R97	(E)DRN	100LM4	1840	704/715
2.3	69200	756	26000	2.3	X						
3.1	53100	567	26100	3.0	X						
3.3	51100	536	18500	2.2	X	K	127R87	(E)DRN	100LM4	1140	696/714
3.7	44600	473	18500	2.6	X	KF	127R87	(E)DRN	100LM4	1230	697/714
4.2	40300	418	18500	2.9	X	KA	127R87	(E)DRN	100LM4	1080	698/714
4.8	35400	367	18500	3.2	X	KAF	127R87	(E)DRN	100LM4	1160	697/714
5.3	31700	330	18600	3.6	X						
1.7	101000	1025	18000	1.15	X						
2.0	88400	899	18100	1.30	X						
2.2	76700	790	18200	1.50	X	K	127R77	(E)DRN	100LM4	1100	696/714
2.5	69000	704	18300	1.65	X	KF	127R77	(E)DRN	100LM4	1190	697/714
2.9	59600	610	18400	1.95	X	KA	127R77	(E)DRN	100LM4	1030	698/714
3.2	53700	549	18400	2.1	X	KAF	127R77	(E)DRN	100LM4	1120	697/714
3.7	46300	477	18500	2.5	X						
4.2	40900	418	18500	2.8	X						
2.5	68400	696	14600	1.05	X						
2.9	60000	615	14600	1.20	X						
3.4	50900	522	14600	1.40	X						
3.8	44800	461	14600	1.60	X	K	107R77	(E)DRN	100LM4	740	689/714
4.3	39600	408	14600	1.80	X	KF	107R77	(E)DRN	100LM4	770	690/714
4.8	35600	364	14600	2.0	X	KA	107R77	(E)DRN	100LM4	680	691/714
5.5	31100	318	14600	2.3	X	KAF	107R77	(E)DRN	100LM4	730	690/714
6.2	28000	286	14600	2.5	X						
7.0	24500	251	14600	2.9	X						
4.6	37700	382	8990	1.00	X						
5.2	33500	342	8990	1.15	X	K	97R57	(E)DRN	100LM4	455	682/714
5.8	30400	305	8990	1.25	X	KF	97R57	(E)DRN	100LM4	500	683/714
6.8	25600	258	8990	1.50	X	KA	97R57	(E)DRN	100LM4	415	684/714
7.6	23100	232	8990	1.65	X	KAF	97R57	(E)DRN	100LM4	470	683/714
8.8	19800	199	8990	1.90	X						
7.5	23500	236	6140	1.00	X						
8.8	20000	201	6250	1.20	X	K	87R57	(E)DRN	100LM4	325	675/714
9.6	18100	183	6290	1.30	X	KF	87R57	(E)DRN	100LM4	345	676/714
11	15700	159	6350	1.50	X	KA	87R57	(E)DRN	100LM4	295	677/714
13	13900	141	6380	1.65	X	KAF	87R57	(E)DRN	100LM4	325	676/714
9.5	19800	123.93*	8990	1.90		K	97	DRN	132S6	450	682
11	16800	105.13	8990	2.3		KF	97	DRN	132S6	495	683
						KA	97	DRN	132S6	410	684
						KAF	97	DRN	132S6	465	683

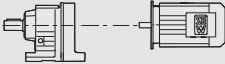

21933480/EN-US - 04/2018

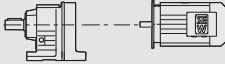

P_m = 3.0 HP											
n_a rpm	T_a lb-in	i ratio	F_{Ra}¹⁾ lb	SEW SF f _B	HazLoc -NA [®]				m lbs		
10	18800	176.05*	8990	2.0	X						
12	16400	153.21*	8990	2.3	X	K	97	(E)DRN	100LM4	405	682
13	15000	140.28	8990	2.5	X	KF	97	(E)DRN	100LM4	450	683
14	13200	123.93*	8990	2.9	X	KA	97	(E)DRN	100LM4	365	684
17	11200	105.13	8990	3.4	X	KAF	97	(E)DRN	100LM4	420	683
18	10300	96.80	8990	3.7	X						
12	15800	147.32*	6350	1.50	X						
14	13600	126.91*	6390	1.75	X						
15	12400	115.82	6410	1.90	X	K	87	(E)DRN	100LM4	275	675
17	11000	102.71*	6440	2.2	X	KF	87	(E)DRN	100LM4	295	676
20	9260	86.34	6460	2.6	X	KA	87	(E)DRN	100LM4	245	677
22	8510	79.34	6470	2.8	X	KAF	87	(E)DRN	100LM4	275	676
25	7550	70.46	6480	3.2	X						
28	6750	63.00*	6490	3.5	X						
16	12100	113.56	3710	1.15	X						
18	10400	97.05	3940	1.30	X						
20	9540	88.97	4040	1.45	X						
23	8370	78.07	4160	1.65	X						
24	7930	73.99	4200	1.75	X						
27	6940	64.75	4280	1.95	X	K	77	(E)DRN	100LM4	195	668
30	6250	58.34	4320	2.2	X	KF	77	(E)DRN	100LM4	210	669
34	5490	51.18	4370	2.5	X	KA	77	(E)DRN	100LM4	175	670
39	4840	45.16	4410	2.8	X	KAF	77	(E)DRN	100LM4	195	669
44	4290	40.04	4430	3.2	X						
50	3770	35.20	4450	3.6	X						
57	3310	30.89	4470	4.1	X						
60	3130	29.27	4480	4.4	X						
69	2740	25.62	4490	5.0	X						
29	6500	60.66	2470	1.10	X						
31	6140	57.28	2540	1.20	X						
36	5230	48.77	2680	1.40	X						
40	4750	44.32	2750	1.55	X						
46	4110	38.39	2820	1.70	X						
49	3820	35.62	2850	1.90	X						
58	3240	30.22	2900	2.2	X						
65	2920	27.28	2920	2.5	X						
73	2570	24.00	2920	2.8	X	K	67	(E)DRN	100LM4	140	661
78	2430	22.66	2920	2.8	X	KF	67	(E)DRN	100LM4	150	662
91	2060	19.30	2920	3.2	X	KA	67	(E)DRN	100LM4	135	663
101	1880	17.54	2920	3.5	X	KAF	67	(E)DRN	100LM4	145	662
116	1620	15.19	2920	3.8	X						
133	1410	13.22	2920	4.2	X						
141	1330	12.48	2920	3.5	X						
166	1140	10.63	2920	3.9	X						
182	1030	9.66	2910	4.1	X						
211	890	8.37	2800	4.3	X						
242	780	7.28	2700	4.8	X						
339	555	5.20	2460	5.5	X						
36	5240	48.89	1730	1.00	X						
40	4760	44.43	1830	1.10	X						
46	4120	38.49	1850	1.30	X						
49	3820	35.70	1830	1.40	X						
58	3240	30.28	1800	1.65	X						
64	2930	27.34	1770	1.80	X	K	57	(E)DRN	100LM4	125	654
73	2580	24.05	1740	2.1	X	KF	57	(E)DRN	100LM4	135	655
78	2430	22.71	1720	2.2	X	KA	57	(E)DRN	100LM4	120	656
91	2070	19.34	1670	2.5	X	KAF	57	(E)DRN	100LM4	135	655
100	1880	17.57	1640	2.6	X						
116	1630	15.22	1590	2.9	X						
133	1420	13.25	1540	3.2	X						
148	1270	11.92	1470	2.9	X						
157	1200	11.26	1450	3.0	X						

P_m = 3.0 HP											
n_a rpm	T_a lb-in	i ratio	F_{Ra}¹⁾ lb	SEW SF f _B	HazLoc -NA [®]			m lbs			
46	4070	37.98	1530	1.10	X						
51	3730	34.81	1520	1.20	X						
58	3270	30.55	1510	1.35	X						
61	3100	28.95	1510	1.40	X						
70	2710	25.34	1490	1.65	X						
77	2440	22.83	1470	1.80	X	K	49	(E)DRN	100LM4	140	650
88	2140	20.03	1440	2.1	X	KF	49	(E)DRN	100LM4	140	651
100	1890	17.67	1410	2.3	X	KA	49	(E)DRN	100LM4	130	652
112	1680	15.67	1380	2.6	X	KAF	49	(E)DRN	100LM4	145	651
132	1430	13.38	1340	2.9	X						
155	1210	11.37	1380	3.6	X						
169	1110	10.42	1340	3.8	X						
193	980	9.14	1300	4.5	X						
68	2770	25.91	1170	1.25	X						
81	2330	21.81	1160	1.50	X						
90	2100	19.58	1150	1.70	X						
104	1800	16.86	1130	1.85	X						
111	1700	15.86	1120	2.0	X	K	47	(E)DRN	100LM4	115	643
129	1460	13.65	1100	2.2	X	KF	47	(E)DRN	100LM4	120	644
145	1300	12.19	1080	2.4	X	KA	47	(E)DRN	100LM4	110	645
150	1260	11.77	1060	1.95	X	KAF	47	(E)DRN	100LM4	120	644
167	1130	10.56	1040	2.2	X						
194	970	9.10	1010	2.5	X						
206	910	8.56	990	2.6	X						
239	785	7.36	960	2.8	X						
72	2610	24.40	1070	1.00	X						
76	2470	23.04	1070	1.05	X						
90	2100	19.62	1070	1.25	X						
99	1910	17.83	1060	1.35	X						
114	1650	15.44	1050	1.50	X						
131	1440	13.44	1030	1.65	X	K	39	(E)DRN	100LM4	110	639
166	1130	10.61	1080	2.2	X	KF	39	(E)DRN	100LM4	115	640
196	960	9.00	1040	2.8	X	KA	39	(E)DRN	100LM4	110	641
217	870	8.12	1010	3.0	X	KAF	39	(E)DRN	100LM4	110	640
246	765	7.15	980	3.5	X						
261	720	6.75	970	3.7	X						
307	615	5.75	930	4.0	X						
337	560	5.22	900	4.1	X						
389	485	4.52	870	4.4	X						
447	420	3.94	830	4.5	X						
493	380	7.15	810	6.9		K	39	DRN	90L2	86	639
522	360	6.75	800	7.3		KF	39	DRN	90L2	90	640
613	305	5.75	760	7.9		KA	39	DRN	90L2	84	641
675	280	5.22	740	8.2		KAF	39	DRN	90L2	87	640
779	240	4.52	710	8.8							
895	210	3.94	680	9.0							
1255	151	2.81	615	10.0							
135	1400	13.08	540	1.05	X						
168	1120	10.49	545	1.25	X						
198	950	8.91	540	1.50	X	K	37	(E)DRN	100LM4	98	632
221	850	7.96	535	1.60	X	KF	37	(E)DRN	100LM4	105	633
259	725	6.80	525	1.80	X	KA	37	(E)DRN	100LM4	98	634
277	680	6.37	520	1.90	X	KAF	37	(E)DRN	100LM4	100	633
329	575	5.36	510	2.1	X						
443	425	3.98	480	2.6	X						
176	1070	19.99	535	1.05		K	29	DRN	90L2	61	625
216	870	16.29	530	1.30		KF	29	DRN	90L2	63	629
262	720	13.47	520	1.60		KA	29	DRN	90L2	60	631
295	640	11.94	510	1.80		KAF	29	DRN	90L2	62	629
384	490	9.17	490	2.3							
413	455	8.53	510	2.4							
471	400	7.48	470	2.7							
507	370	6.95	485	2.7							
613	305	5.75	460	3.2							
691	270	5.10	450	3.6							
900	205	3.92	415	5.3							
1105	171	3.19	395	5.7							



21933480/EN-US - 04/2018

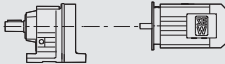

10

P_m = 4.0 HP											
n_a rpm	T_a lb-in	i ratio	F_{Ra}¹⁾ lb	SEW SF f _B	HazLoc -NA [®]					m lbs	
0.63	347700	2818	42700	1.25	X	K	187R97	(E)DRN	100L4	3950	712/715
						KH	187R97	(E)DRN	100L4	3800	713/715
0.58	398200	3062	42700	1.10	X						
0.70	325400	2519	42700	1.35	X						
0.78	291600	2268	42700	1.50	X						
0.86	262700	2054	42700	1.70	X	K	187R97	(E)DRN	100L4	3940	712/715
0.97	231300	1821	42700	1.90	X	KH	187R97	(E)DRN	100L4	3790	713/715
1.1	205300	1605	42700	2.1	X						
1.3	174300	1395	42700	2.5	X						
1.5	151900	1196	42700	2.9	X						
1.0	221100	1704	33700	1.30	X						
1.2	183100	1408	33700	1.55	X						
1.4	168100	1296	33700	1.70	X	K	167R97	(E)DRN	100L4	2660	710/715
1.6	139800	1101	33700	2.0	X	KH	167R97	(E)DRN	100L4	2570	711/715
1.9	120800	944	33700	2.3	X						
2.1	105300	843	33700	2.7	X						
2.3	95500	757	33700	3.0	X						
1.4	158000	1229	25200	1.00	X						
1.6	140500	1093	25400	1.15	X	K	157R97	(E)DRN	100L4	1790	703/715
1.9	121100	942	25600	1.30	X	KF	157R97	(E)DRN	100L4	1960	704/715
2.1	109200	854	25700	1.45	X	KA	157R97	(E)DRN	100L4	1710	705/715
2.3	94400	756	25900	1.70	X	KAF	157R97	(E)DRN	100L4	1840	704/715
3.1	71900	567	26000	2.2	X						
3.5	64000	504	26100	2.5	X						
3.3	69000	536	18300	1.65	X	K	127R87	(E)DRN	100L4	1140	696/714
3.7	60400	473	18400	1.90	X	KF	127R87	(E)DRN	100L4	1230	697/714
4.2	54400	418	18400	2.1	X	KA	127R87	(E)DRN	100L4	1080	698/714
4.8	47700	367	18500	2.4	X	KAF	127R87	(E)DRN	100L4	1160	697/714
5.3	42700	330	18500	2.7	X						
6.2	36500	287	18500	3.1	X						
2.2	103100	790	18000	1.10	X	K	127R77	(E)DRN	100L4	1100	696/714
2.5	92500	704	18100	1.25	X	KF	127R77	(E)DRN	100L4	1190	697/714
2.9	79900	610	18200	1.45	X	KA	127R77	(E)DRN	100L4	1030	698/714
3.2	72000	549	18300	1.60	X	KAF	127R77	(E)DRN	100L4	1120	697/714
3.7	62200	477	18400	1.85	X						
4.2	54900	418	18400	2.1	X						
3.8	60100	461	14600	1.20	X						
4.3	53200	408	14600	1.35	X	K	107R77	(E)DRN	100L4	740	689/714
4.8	47700	364	14600	1.50	X	KF	107R77	(E)DRN	100L4	770	690/714
5.5	41700	318	14600	1.70	X	KA	107R77	(E)DRN	100L4	680	691/714
6.2	37500	286	14600	1.90	X	KAF	107R77	(E)DRN	100L4	730	690/714
7.0	32900	251	14600	2.1	X						
8.0	28900	222	14600	2.4	X						
9.0	25600	196	14600	2.8	X						
10	22900	174	14600	2.8	X						
11	20200	154	14600	3.1	X						
13	18400	140	14600	3.5	X						
6.8	34300	258	8990	1.10	X	K	97R57	(E)DRN	100L4	455	682/714
7.6	30900	232	8990	1.25	X	KF	97R57	(E)DRN	100L4	500	683/714
8.8	26500	199	8990	1.45	X	KA	97R57	(E)DRN	100L4	415	684/714
						KAF	97R57	(E)DRN	100L4	470	683/714
8.2	30600	143.47*	14600	2.3		K	107	DRN	132S6	700	689
9.7	25900	121.46	14600	2.7		KF	107	DRN	132S6	730	690
10	24000	112.41*	14600	2.9		KA	107	DRN	132S6	640	691
12	21500	100.75	14600	3.3		KAF	107	DRN	132S6	690	690
12	20500	143.47*	14600	3.5	X	K	107	(E)DRN	100L4	660	689
15	17300	121.46	14600	4.1	X	KF	107	(E)DRN	100L4	680	690
						KA	107	(E)DRN	100L4	600	691
						KAF	107	(E)DRN	100L4	650	690
9.5	26500	123.93*	8990	1.45		K	97	DRN	132S6	450	682
11	22400	105.13	8990	1.70		KF	97	DRN	132S6	495	683
12	20700	96.80	8990	1.85		KA	97	DRN	132S6	410	684
14	18500	86.52	8990	2.1		KAF	97	DRN	132S6	465	683

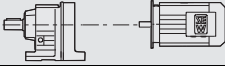

P_m = 4.0 HP									
n_a rpm	T_a lb-in	i ratio	F_{Ra}¹⁾ lb	SEW SF f _B	HazLoc -NA [®]			m lbs	
10	25100	176.05*	8990	1.50	X				
12	21900	153.21*	8990	1.75	X				
13	20000	140.28	8990	1.90	X				
14	17700	123.93*	8990	2.1	X				
17	15000	105.13	8990	2.5	X	K	97	(E)DRN 100L4	405 682
18	13800	96.80	8990	2.8	X	KF	97	(E)DRN 100L4	450 683
20	12300	86.52	8990	3.1	X	KA	97	(E)DRN 100L4	365 684
23	11100	77.89*	8990	3.4	X	KAF	97	(E)DRN 100L4	420 683
25	10000	70.54	8990	3.8	X				
28	8940	62.55	8990	4.3	X				
31	8080	56.55	8990	4.7	X				
12	21000	147.32*	6220	1.15	X				
14	18100	126.91*	6290	1.30	X				
15	16500	115.82	6330	1.45	X				
17	14600	102.71*	6370	1.65	X				
20	12300	86.34	6410	1.95	X	K	87	(E)DRN 100L4	275 675
22	11300	79.34	6430	2.1	X	KF	87	(E)DRN 100L4	295 676
25	10000	70.46	6450	2.4	X	KA	87	(E)DRN 100L4	245 677
28	9000	63.00*	6470	2.6	X	KAF	87	(E)DRN 100L4	275 676
31	8090	56.64	6480	3.0	X				
36	7020	49.16	6490	3.4	X				
40	6290	44.02	6330	3.7	X				
48	5220	36.52*	6060	4.2	X				
20	12700	88.97	3620	1.10	X				
23	11100	78.07	3850	1.25	X				
24	10500	73.99	3920	1.30	X				
27	9250	64.75	4070	1.50	X	K	77	(E)DRN 100L4	195 668
30	8330	58.34	4160	1.65	X	KF	77	(E)DRN 100L4	210 669
34	7310	51.18	4250	1.85	X	KA	77	(E)DRN 100L4	175 670
39	6450	45.16	4310	2.1	X	KAF	77	(E)DRN 100L4	195 669
44	5720	40.04	4360	2.4	X				
50	5030	35.20	4400	2.7	X				
57	4410	30.89	4430	3.1	X				
40	6330	44.32	2510	1.15	X				
46	5480	38.39	2650	1.30	X				
50	5090	35.62	2700	1.45	X				
58	4310	30.22	2800	1.70	X				
65	3890	27.28	2840	1.85	X				
73	3420	24.00	2890	2.1	X	K	67	(E)DRN 100L4	140 661
78	3230	22.66	2900	2.1	X	KF	67	(E)DRN 100L4	150 662
91	2750	19.30	2920	2.4	X	KA	67	(E)DRN 100L4	135 663
101	2500	17.54	2920	2.6	X	KAF	67	(E)DRN 100L4	145 662
116	2170	15.19	2920	2.9	X				
133	1880	13.22	2920	3.1	X				
141	1780	12.48	2920	2.6	X				
166	1510	10.63	2910	2.9	X				
183	1380	9.66	2850	3.1	X				
58	4320	30.28	1620	1.25	X				
64	3900	27.34	1610	1.35	X				
73	3430	24.05	1590	1.55	X				
78	3240	22.71	1580	1.65	X				
91	2760	19.34	1550	1.85	X				
100	2510	17.57	1530	1.95	X	K	57	(E)DRN 100L4	125 654
116	2170	15.22	1500	2.2	X	KF	57	(E)DRN 100L4	135 655
133	1890	13.25	1460	2.4	X	KA	57	(E)DRN 100L4	120 656
148	1700	11.92	1390	2.1	X	KAF	57	(E)DRN 100L4	135 655
157	1600	11.26	1380	2.3	X				
184	1370	9.59	1330	2.6	X				
202	1240	8.71	1310	2.8	X				
234	1070	7.55	1270	3.0	X				
268	930	6.57	1230	3.2	X				
376	670	4.69	1130	4.0	X				

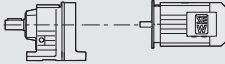

21933480/EN-US - 04/2018



P_m = 4.0 HP							m lbs			
n_a rpm	T_a lb-in	i ratio	F_{Ra}¹⁾ lb	SEW SF f_B	HazLoc -NA[®]					
58	4360	30.55	1310	1.00	X					
61	4130	28.95	1320	1.05	X					
70	3620	25.34	1320	1.20	X					
77	3260	22.83	1320	1.35	X					
88	2860	20.03	1310	1.55	X					
100	2520	17.67	1300	1.75	X	K	49	(E)DRN 100L4	140	650
113	2230	15.67	1280	1.95	X	KF	49	(E)DRN 100L4	140	651
132	1910	13.38	1250	2.2	X	KA	49	(E)DRN 100L4	130	652
155	1620	11.37	1330	2.7	X	KAF	49	(E)DRN 100L4	145	651
169	1480	10.42	1300	2.9	X					
193	1300	9.14	1260	3.4	X					
204	1230	8.66	1240	3.6	X					
233	1080	7.58	1200	4.1	X					
258	970	6.83	1170	4.5	X					
90	2790	19.58	1020	1.25	X					
105	2410	16.86	1020	1.40	X					
111	2260	15.86	1010	1.50	X					
129	1950	13.65	1000	1.65	X					
145	1740	12.19	990	1.80	X	K	47	(E)DRN 100L4	115	643
150	1680	11.77	970	1.45	X	KF	47	(E)DRN 100L4	120	644
167	1510	10.56	960	1.65	X	KA	47	(E)DRN 100L4	110	645
194	1300	9.10	940	1.90	X	KAF	47	(E)DRN 100L4	120	644
206	1220	8.56	930	1.95	X					
239	1050	7.36	910	2.1	X					
268	940	6.58	890	2.3	X					
303	830	5.81	870	2.5	X					
380	660	4.64	830	2.7	X					
99	2540	17.83	930	1.00	X					
114	2200	15.44	930	1.10	X					
131	1920	13.44	930	1.25	X					
166	1510	10.61	1030	1.65	X					
196	1280	9.00	990	2.1	X	K	39	(E)DRN 100L4	110	639
217	1160	8.12	970	2.3	X	KF	39	(E)DRN 100L4	115	640
247	1020	7.15	940	2.6	X	KA	39	(E)DRN 100L4	110	641
261	960	6.75	930	2.8	X	KAF	39	(E)DRN 100L4	110	640
307	820	5.75	900	3.0	X					
338	745	5.22	880	3.1	X					
390	645	4.52	840	3.3	X					
448	560	3.94	810	3.4	X					
627	400	2.81	740	3.7	X					
492	510	7.15	795	5.2		K	39	DRN 100LM2	110	639
521	480	6.75	780	5.5		KF	39	DRN 100LM2	115	640
612	410	5.75	745	5.9		KA	39	DRN 100LM2	110	641
673	370	5.22	725	6.2		KAF	39	DRN 100LM2	110	640
777	320	4.52	700	6.5						
893	280	3.94	670	6.7						
1250	200	2.81	605	7.5						
198	1270	8.91	465	1.10	X					
222	1130	7.96	470	1.20	X	K	37	(E)DRN 100L4	98	632
259	970	6.80	470	1.35	X	KF	37	(E)DRN 100L4	105	633
277	910	6.37	470	1.40	X	KA	37	(E)DRN 100L4	98	634
329	765	5.36	465	1.60	X	KAF	37	(E)DRN 100L4	100	633
443	565	3.98	450	1.95	X					
216	1160	16.29	460	1.00						
261	960	13.47	465	1.20						
294	850	11.94	460	1.35		K	29	DRN 100LM2	86	625
383	655	9.17	450	1.75		KF	29	DRN 100LM2	88	629
470	535	7.48	440	2.0		KA	29	DRN 100LM2	85	631
506	495	6.95	465	2.0		KAF	29	DRN 100LM2	86	629
612	410	5.75	445	2.4						
690	365	5.10	435	2.7						
898	280	3.92	405	4.0						
1100	225	3.19	385	4.3						

P_m = 5.0 HP											
n_a rpm	T_a lb-in	i ratio	F_{Ra}¹⁾ lb	SEW SF f_B	HazLoc -NA[®]					m lbs	
0.62	441900	2818	42700	1.00	X	K	187R97	(E)DRN	100L4	3950	712/715
						KH	187R97	(E)DRN	100L4	3800	713/715
0.70	410700	2519	42700	1.10	X						
0.78	368300	2268	42700	1.20	X						
0.86	332300	2054	42700	1.35	X						
0.97	293000	1821	42700	1.50	X	K	187R97	(E)DRN	100L4	3940	712/715
1.1	259700	1605	42700	1.70	X	KH	187R97	(E)DRN	100L4	3790	713/715
1.3	221500	1395	42700	2.0	X						
1.5	192400	1196	42700	2.3	X						
1.7	168200	1046	42700	2.6	X						
1.9	151300	945	42700	2.9	X						
1.0	278700	1704	33700	1.00	X						
1.2	230700	1408	33700	1.25	X						
1.4	212000	1296	33700	1.35	X						
1.6	177100	1101	33700	1.60	X	K	167R97	(E)DRN	100L4	2660	710/715
1.9	152700	944	33700	1.85	X	KH	167R97	(E)DRN	100L4	2570	711/715
2.1	133900	843	33700	2.1	X						
2.3	121200	757	33700	2.3	X						
2.8	101700	632	33700	2.8	X						
1.9	153000	942	25300	1.05	X	K	157R97	(E)DRN	100L4	1790	703/715
2.1	138100	854	25500	1.15	X	KF	157R97	(E)DRN	100L4	1960	704/715
2.3	120000	756	25600	1.35	X	KA	157R97	(E)DRN	100L4	1710	705/715
3.1	91100	567	25900	1.75	X	KAF	157R97	(E)DRN	100L4	1840	704/715
4.0	68900	434	26000	2.3	X						
3.3	87100	536	18100	1.30	X						
3.7	76400	473	18300	1.50	X	K	127R87	(E)DRN	100L4	1140	696/714
4.2	68700	418	18300	1.65	X	KF	127R87	(E)DRN	100L4	1230	697/714
4.8	60100	367	18400	1.90	X	KA	127R87	(E)DRN	100L4	1080	698/714
5.3	53900	330	18400	2.1	X	KAF	127R87	(E)DRN	100L4	1160	697/714
6.1	46200	287	18500	2.5	X						
6.9	40900	253	18500	2.8	X						
2.5	116300	704	17800	1.00		K	127R77	(E)DRN	100L4	1100	696/714
2.9	100600	610	18000	1.15	X	KF	127R77	(E)DRN	100L4	1190	697/714
3.2	90600	549	18100	1.25	X	KA	127R77	(E)DRN	100L4	1030	698/714
3.7	78400	477	18200	1.45	X	KAF	127R77	(E)DRN	100L4	1120	697/714
4.2	69000	418	18300	1.65	X						
4.3	67000	408	14600	1.05	X						
4.8	60000	364	14600	1.20	X						
5.5	52500	318	14600	1.35	X						
6.1	47200	286	14600	1.50	X	K	107R77	(E)DRN	100L4	740	689/714
7.0	41400	251	14600	1.70	X	KF	107R77	(E)DRN	100L4	770	690/714
7.9	36400	222	14600	1.95	X	KA	107R77	(E)DRN	100L4	680	691/714
8.9	32200	196	14600	2.2	X	KAF	107R77	(E)DRN	100L4	730	690/714
10	28800	174	14600	2.2	X						
11	25500	154	14600	2.5	X						
13	23100	140	14600	2.8	X						
7.6	38800	232	8990	1.00		K	97R57	(E)DRN	100L4	455	682/714
8.8	33300	199	8990	1.15	X	KF	97R57	(E)DRN	100L4	500	683/714
						KA	97R57	(E)DRN	100L4	415	684/714
						KAF	97R57	(E)DRN	100L4	470	683/714
12	25700	143.47*	14600	2.8	X	K	107	(E)DRN	100L4	660	689
14	21700	121.46	14600	3.2	X	KF	107	(E)DRN	100L4	680	690
						KA	107	(E)DRN	100L4	600	691
						KAF	107	(E)DRN	100L4	650	690
10.0	31500	176.05*	8990	1.20	X						
11	27400	153.21*	8990	1.40	X						
13	25100	140.28	8990	1.50	X						
14	22200	123.93*	8990	1.70	X						
17	18800	105.13	8990	2.0	X	K	97	(E)DRN	100L4	405	682
18	17300	96.80	8990	2.2	X	KF	97	(E)DRN	100L4	450	683
20	15500	86.52	8990	2.5	X	KA	97	(E)DRN	100L4	365	684
23	13900	77.89*	8990	2.7	X	KAF	97	(E)DRN	100L4	420	683
25	12600	70.54	8990	3.0	X						
28	11200	62.55	8990	3.4	X						
31	10100	56.55	8990	3.8	X						



21933480/EN-US - 04/2018

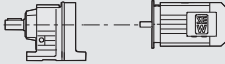

P_m = 5.0 HP							m lbs			
n_a rpm	T_a lb-in	i ratio	F_{Ra}¹⁾ lb	SEW SF f_B	HazLoc -NA[®]					
14	22700	126.91*	6170	1.05	X					
15	20700	115.82	6230	1.15	X					
17	18400	102.71*	6290	1.30	X					
20	15400	86.34	6350	1.55	X					
22	14200	79.34	6380	1.70	X	K	87	(E)DRN 100L4	275	675
25	12600	70.46	6410	1.90	X	KF	87	(E)DRN 100L4	295	676
28	11200	63.00*	6430	2.1	X	KA	87	(E)DRN 100L4	245	677
31	10100	56.64	6450	2.4	X	KAF	87	(E)DRN 100L4	275	676
36	8800	49.16	6310	2.7	X					
40	7880	44.02	6170	2.9	X					
48	6540	36.52*	5930	3.4	X					
23	13900	78.07	3410	1.00						
24	13200	73.99	3540	1.05	X					
27	11600	64.75	3790	1.20	X					
30	10400	58.34	3940	1.30	X					
34	9170	51.18	4080	1.50	X	K	77	(E)DRN 100L4	195	668
39	8090	45.16	4180	1.70	X	KF	77	(E)DRN 100L4	210	669
44	7170	40.04	4260	1.90	X	KA	77	(E)DRN 100L4	175	670
46	6870	38.39	4280	1.95	X	KAF	77	(E)DRN 100L4	195	669
50	6300	35.20	4320	2.2	X					
57	5530	30.89	4370	2.5	X					
60	5240	29.27	4380	2.6	X					
69	4580	25.62	4420	3.0	X					
46	6870	38.39	2400	1.05	X					
49	6380	35.62	2500	1.15	X					
58	5410	30.22	2660	1.35	X					
64	4880	27.28	2730	1.50	X					
73	4290	24.00	2800	1.65	X					
78	4050	22.66	2830	1.70	X					
91	3450	19.30	2890	1.95	X	K	67	(E)DRN 100L4	140	661
100	3140	17.54	2910	2.1	X	KF	67	(E)DRN 100L4	150	662
116	2720	15.19	2920	2.3	X	KA	67	(E)DRN 100L4	135	663
133	2360	13.22	2920	2.5	X	KAF	67	(E)DRN 100L4	145	662
141	2230	12.48	2920	2.1	X					
165	1900	10.63	2850	2.3	X					
182	1730	9.66	2790	2.5	X					
210	1490	8.37	2700	2.6	X					
241	1300	7.28	2610	2.9	X					
58	5420	30.28	1440	1.00						
64	4890	27.34	1450	1.10	X					
73	4310	24.05	1450	1.25	X					
77	4060	22.71	1450	1.30	X					
91	3460	19.34	1440	1.45	X					
100	3140	17.57	1430	1.55	X	K	57	(E)DRN 100L4	125	654
115	2720	15.22	1410	1.75	X	KF	57	(E)DRN 100L4	135	655
133	2370	13.25	1380	1.90	X	KA	57	(E)DRN 100L4	120	656
147	2130	11.92	1310	1.70	X	KAF	57	(E)DRN 100L4	135	655
156	2010	11.26	1300	1.80	X					
183	1710	9.59	1270	2.1	X					
202	1560	8.71	1250	2.2	X					
233	1350	7.55	1220	2.4	X					
268	1170	6.57	1180	2.6	X					
375	840	4.69	1100	3.2	X					
77	4090	22.83	1170	1.10	X					
88	3580	20.03	1180	1.25	X					
99	3160	17.67	1180	1.40	X					
112	2800	15.67	1180	1.55	X	K	49	(E)DRN 100L4	140	650
131	2390	13.38	1170	1.75	X	KF	49	(E)DRN 100L4	140	651
155	2030	11.37	1280	2.1	X	KA	49	(E)DRN 100L4	130	652
169	1860	10.42	1260	2.3	X	KAF	49	(E)DRN 100L4	145	651
192	1630	9.14	1220	2.7	X					
203	1550	8.66	1210	2.9	X					
232	1350	7.58	1170	3.3	X					
257	1220	6.83	1140	3.6	X					

P_m = 5.0 HP									
n _a rpm	T _a lb-in	i ratio	F _{Ra} ¹⁾ lb	SEW SF f _B	HazLoc -NA [®]			m lbs	
90	3500	19.58	880	1.00	X				
104	3020	16.86	900	1.10	X				
111	2840	15.86	900	1.20	X				
129	2440	13.65	910	1.30	X				
144	2180	12.19	910	1.40	X				
149	2100	11.77	880	1.15	X	K	47	(E)DRN 100L4	115 643
166	1890	10.56	880	1.30	X	KF	47	(E)DRN 100L4	120 644
193	1630	9.10	870	1.50	X	KA	47	(E)DRN 100L4	110 645
205	1530	8.56	870	1.55	X	KAF	47	(E)DRN 100L4	120 644
239	1310	7.36	850	1.70	X				
267	1170	6.58	840	1.80	X				
302	1040	5.81	830	1.95	X				
379	830	4.64	795	2.2	X				
131	2400	13.44	820	1.00					
166	1900	10.61	970	1.35	X				
195	1610	9.00	950	1.65	X				
216	1450	8.12	930	1.80	X				
246	1280	7.15	910	2.1	X	K	39	(E)DRN 100L4	110 639
260	1200	6.75	900	2.2	X	KF	39	(E)DRN 100L4	115 640
306	1020	5.75	870	2.4	X	KA	39	(E)DRN 100L4	110 641
337	930	5.22	850	2.5	X	KAF	39	(E)DRN 100L4	110 640
389	810	4.52	820	2.6	X				
446	705	3.94	795	2.7	X				
625	500	2.81	730	3.0	X				
491	640	7.15	775	4.1					
520	605	6.75	765	4.4		K	39	DRN 100L2	110 639
610	515	5.75	735	4.7		KF	39	DRN 100L2	115 640
672	465	5.22	715	4.9		KA	39	DRN 100L2	110 641
775	405	4.52	685	5.2		KAF	39	DRN 100L2	110 640
891	350	3.94	660	5.4					
1245	250	2.81	600	6.0					
259	1210	6.80	415	1.10	X	K	37	(E)DRN 100L4	98 632
276	1140	6.37	415	1.10	X	KF	37	(E)DRN 100L4	105 633
328	960	5.36	420	1.30	X	KA	37	(E)DRN 100L4	98 634
442	710	3.98	415	1.55	X	KAF	37	(E)DRN 100L4	100 633
394	800	8.91	420	1.75					
441	710	7.96	415	1.90		K	37	DRN 100L2	98 632
516	610	6.80	410	2.2		KF	37	DRN 100L2	105 633
551	570	6.37	410	2.2		KA	37	DRN 100L2	98 634
654	480	5.36	400	2.6		KAF	37	DRN 100L2	100 633
882	355	3.98	380	3.1					



P_m = 5.4 HP									
n _a rpm	T _a lb-in	i ratio	F _{Ra} ¹⁾ lb	SEW SF f _B	HazLoc -NA [®]			m lbs	
2.1	140900	835	42700	3.1	X	K	187R107	(E)DRN 112M4	4060 712/715
3.4	88600	520	42700	5.0	X	KH	187R107	(E)DRN 112M4	3920 713/715
0.70	441600	2519	42700	1.00	X				
0.78	396100	2268	42700	1.10	X				
0.86	357400	2054	42700	1.25	X				
0.97	315300	1821	42700	1.40	X				
1.1	279300	1605	42700	1.60	X	K	187R97	(E)DRN 112M4	3960 712/715
1.3	238600	1395	42700	1.85	X	KH	187R97	(E)DRN 112M4	3810 713/715
1.5	207100	1196	42700	2.1	X				
1.7	181000	1046	42700	2.4	X				
1.9	162900	945	42700	2.7	X				
1.3	247900	1408	33700	1.15	X				
1.4	227800	1296	33700	1.25	X				
1.6	190600	1101	33700	1.50	X				
1.9	164300	944	33700	1.70	X	K	167R97	(E)DRN 112M4	2680 710/715
2.1	144200	843	33700	1.95	X	KH	167R97	(E)DRN 112M4	2590 711/715
2.3	130400	757	33700	2.2	X				
2.8	109400	632	33700	2.6	X				



21933480/EN-US - 04/2018

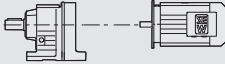

P_m = 5.4 HP											
n_a rpm	T_a lb-in	i ratio	F_{Ra}¹⁾ lb	SEW SF f_B	HazLoc -NA[®]					m lbs	
2.1	148500	854	25300	1.05	X						
2.3	129300	756	25600	1.25	X	K	157R97	(E)DRN	112M4	1810	703/715
3.1	98000	567	25800	1.60	X	KF	157R97	(E)DRN	112M4	1980	704/715
3.5	87200	504	25900	1.80	X	KA	157R97	(E)DRN	112M4	1730	705/715
4.1	74200	434	26000	2.1	X	KAF	157R97	(E)DRN	112M4	1860	704/715
5.3	56900	333	26100	2.8	X						
3.3	93700	536	18100	1.25	X						
3.7	82200	473	18200	1.40	X	K	127R87	(E)DRN	112M4	1160	696/714
4.2	73800	418	18300	1.55	X	KF	127R87	(E)DRN	112M4	1250	697/714
4.8	64600	367	18400	1.80	X	KA	127R87	(E)DRN	112M4	1100	698/714
5.3	58000	330	18400	2.0	X	KAF	127R87	(E)DRN	112M4	1180	697/714
6.2	49700	287	18500	2.3	X						
7.0	44000	253	18500	2.6	X						
2.9	108000	610	17900	1.05	X	K	127R77	(E)DRN	112M4	1120	696/714
3.2	97300	549	18000	1.20	X	KF	127R77	(E)DRN	112M4	1210	697/714
3.7	84300	477	18200	1.35	X	KA	127R77	(E)DRN	112M4	1050	698/714
4.2	74200	418	18300	1.55	X	KAF	127R77	(E)DRN	112M4	1140	697/714
4.9	64500	364	14600	1.10	X						
5.6	56400	318	14600	1.25	X						
6.2	50700	286	14600	1.40	X						
7.0	44400	251	14600	1.60	X	K	107R77	(E)DRN	112M4	760	689/714
8.0	39100	222	14600	1.80	X	KF	107R77	(E)DRN	112M4	790	690/714
9.0	34600	196	14600	2.0	X	KA	107R77	(E)DRN	112M4	700	691/714
10	31000	174	14600	2.0	X	KAF	107R77	(E)DRN	112M4	750	690/714
11	27400	154	14600	2.3	X						
13	24900	140	14600	2.6	X						
8.9	35800	199	8990	1.05	X	K	97R57	(E)DRN	112M4	480	682/714
						KF	97R57	(E)DRN	112M4	520	683/714
						KA	97R57	(E)DRN	112M4	440	684/714
						KAF	97R57	(E)DRN	112M4	495	683/714
8.1	42000	146.07	18500	2.7	X	K	127	DRN	132M6	1080	696
8.7	39200	136.14	18500	2.9	X	KF	127	DRN	132M6	1170	697
9.6	35200	122.48	18500	3.3	X	KA	127	DRN	132M6	1020	698
11	31700	110.18	18600	3.6	X	KAF	127	DRN	132M6	1100	697
8.2	41300	143.47*	14600	1.70	X						
9.7	34900	121.46	14600	2.0	X	K	107	DRN	132M6	740	689
11	32300	112.41*	14600	2.2	X	KF	107	DRN	132M6	770	690
12	29000	100.75	14600	2.4	X	KA	107	DRN	132M6	680	691
13	26200	90.96*	14600	2.7	X	KAF	107	DRN	132M6	730	690
12	27500	143.47*	14600	2.6	X						
15	23300	121.46	14600	3.0	X						
16	21600	112.41*	14600	3.3	X	K	107	(E)DRN	112M4	670	689
18	19300	100.75	14600	3.6	X	KF	107	(E)DRN	112M4	700	690
19	17400	90.96*	14600	4.0	X	KA	107	(E)DRN	112M4	610	691
21	15800	82.61	14600	4.5	X	KAF	107	(E)DRN	112M4	670	690
24	14000	73.30	14300	5.0	X						
12	29400	153.21*	8990	1.30	X						
13	26900	140.28	8990	1.40	X						
14	23800	123.93*	8990	1.60	X	K	97	(E)DRN	112M4	425	682
17	20200	105.13	8990	1.90	X	KF	97	(E)DRN	112M4	470	683
18	18600	96.80	8990	2.0	X	KA	97	(E)DRN	112M4	385	684
20	16600	86.52	8990	2.3	X	KAF	97	(E)DRN	112M4	440	683
23	14900	77.89*	8990	2.5	X						
25	13500	70.54	8990	2.8	X						
15	22200	115.82	6180	1.05	X						
17	19700	102.71*	6250	1.20	X						
20	16600	86.34	6330	1.45	X						
22	15200	79.34	6360	1.55	X	K	87	(E)DRN	112M4	295	675
25	13500	70.46	6390	1.75	X	KF	87	(E)DRN	112M4	315	676
28	12100	63.00*	6420	1.95	X	KA	87	(E)DRN	112M4	265	677
31	10800	56.64	6400	2.2	X	KAF	87	(E)DRN	112M4	295	676
36	9450	49.16	6230	2.5	X						
40	8460	44.02	6100	2.7	X						
48	7020	36.52*	5860	3.1	X						

P_m = 5.4 HP									
n_a rpm	T_a lb-in	i ratio	F_{Ra}¹⁾ lb	SEW SF f _B	HazLoc -NA [®]			m lbs	
27	12400	64.75	3670	1.10	X				
30	11200	58.34	3840	1.20	X				
35	9840	51.18	4010	1.40	X				
39	8680	45.16	4130	1.60	X				
44	7700	40.04	4220	1.80	X	K	77	(E)DRN 112M4	215 668
46	7380	38.39	4240	1.80	X	KF	77	(E)DRN 112M4	230 669
50	6760	35.20	4290	2.0	X	KA	77	(E)DRN 112M4	200 670
57	5930	30.89	4340	2.3	X	KAF	77	(E)DRN 112M4	215 669
60	5620	29.27	4360	2.4	X				
69	4920	25.62	4400	2.8	X				
77	4430	23.08	4420	3.1	X				
87	3890	20.25	4450	3.4	X				
59	5800	30.22	2600	1.25	X				
65	5240	27.28	2680	1.40	X				
74	4610	24.00	2770	1.55	X				
78	4350	22.66	2800	1.60	X				
92	3710	19.30	2860	1.80	X				
101	3370	17.54	2890	1.95	X	K	67	(E)DRN 112M4	160 661
116	2920	15.19	2920	2.1	X	KF	67	(E)DRN 112M4	170 662
134	2540	13.22	2920	2.3	X	KA	67	(E)DRN 112M4	155 663
142	2400	12.48	2920	1.95	X	KAF	67	(E)DRN 112M4	165 662
166	2040	10.63	2820	2.2	X				
183	1850	9.66	2760	2.3	X				
211	1600	8.37	2680	2.4	X				
243	1400	7.28	2590	2.6	X				
340	1000	5.20	2390	3.1	X				
65	5250	27.34	1380	1.00	X				
74	4620	24.05	1390	1.15	X				
78	4360	22.71	1400	1.20	X				
91	3710	19.34	1390	1.35	X				
101	3380	17.57	1390	1.45	X				
116	2920	15.22	1370	1.60	X	K	57	(E)DRN 112M4	145 654
134	2540	13.25	1350	1.75	X	KF	57	(E)DRN 112M4	155 655
148	2290	11.92	1280	1.60	X	KA	57	(E)DRN 112M4	140 656
157	2160	11.26	1270	1.70	X	KAF	57	(E)DRN 112M4	155 655
185	1840	9.59	1240	1.95	X				
203	1670	8.71	1230	2.1	X				
234	1450	7.55	1200	2.2	X				
269	1260	6.57	1160	2.4	X				
377	900	4.69	1080	2.9	X				
77	4390	22.83	1110	1.00	X				
88	3850	20.03	1130	1.15	X				
100	3390	17.67	1140	1.30	X				
113	3010	15.67	1140	1.45	X				
132	2570	13.38	1130	1.60	X				
156	2180	11.37	1260	2.0	X	K	49	(E)DRN 112M4	160 650
170	2000	10.42	1240	2.1	X	KF	49	(E)DRN 112M4	160 651
194	1750	9.14	1200	2.5	X	KA	49	(E)DRN 112M4	150 652
204	1660	8.66	1190	2.7	X	KAF	49	(E)DRN 112M4	165 651
233	1450	7.58	1150	3.0	X				
259	1310	6.83	1130	3.4	X				
295	1150	5.99	1090	3.8	X				
335	1010	5.29	1060	4.2	X				
377	900	4.69	1020	4.6	X				
389	870	9.14	1020	5.0					
410	820	8.66	1000	5.3					
469	725	7.58	970	6.1		K	49	DRN 112M2	160 650
520	650	6.83	940	6.8		KF	49	DRN 112M2	160 651
593	570	5.99	900	7.7		KA	49	DRN 112M2	150 652
672	505	5.29	870	8.5		KAF	49	DRN 112M2	165 651
758	445	4.69	840	9.2					
887	380	4.00	800	10					



21933480/EN-US - 04/2018

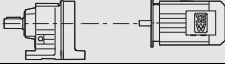

P_m = 5.4 HP							m lbs	
n_a rpm	T_a lb-in	i ratio	F_{Ra}¹⁾ lb	SEW SF f_B	HazLoc -NA[®]			
197	1730	9.00	930	1.55	X			
218	1560	8.12	910	1.70	X			
247	1370	7.15	890	1.95	X	K 39 (E)DRN 112M4 KF 39 (E)DRN 112M4 KA 39 (E)DRN 112M4 KAF 39 (E)DRN 112M4	130	639
262	1290	6.75	880	2.0	X		135	640
308	1100	5.75	850	2.2	X		130	641
339	1000	5.22	840	2.3	X		135	640
391	870	4.52	810	2.4	X			
449	755	3.94	785	2.5	X			
629	540	2.81	720	2.8	X			

P_m = 7.5 HP							m lbs		
n_a rpm	T_a lb-in	i ratio	F_{Ra}¹⁾ lb	SEW SF f_B	HazLoc -NA[®]				
2.1	199400	835	42700	2.2	X	K 187R107 (E)DRN 132S4 KH 187R107 (E)DRN 132S4	4090	712/715	
2.4	172600	729	42700	2.6	X		3940	713/715	
0.97	442800	1821	42700	1.00	X	K 187R97 (E)DRN 132S4 KH 187R97 (E)DRN 132S4	3990	712/715	
1.1	391700	1605	42700	1.15	X		3840	713/715	
1.3	336300	1395	42700	1.30	X				
1.5	290800	1196	42700	1.50	X				
1.7	254200	1046	42700	1.75	X				
1.9	229000	945	42700	1.95	X				
2.4	179000	738	42700	2.5	X				
2.9	150400	621	42700	2.9	X				
1.6	267700	1101	33700	1.05	X	K 167R97 (E)DRN 132S4 KH 167R97 (E)DRN 132S4	2700	710/715	
1.9	230400	944	33700	1.25	X		2620	711/715	
2.1	203300	843	33700	1.40	X				
2.3	183400	757	33700	1.55	X				
2.8	153600	632	33700	1.85	X				
3.1	134200	561	33700	2.1	X				
3.7	116800	481	33700	2.4	X				
4.2	101300	423	33700	2.8	X				
4.6	89200	385	25900	1.80	X	K 157R107 (E)DRN 132S4 KF 157R107 (E)DRN 132S4 KA 157R107 (E)DRN 132S4 KAF 157R107 (E)DRN 132S4	1940	703/715	
5.9	70700	299	26000	2.2	X		2110	704/715	
7.0	59300	253	26100	2.7	X		1860	705/715	
							1990	704/715	
2.7	158200	661	25200	1.00	X	K 157R97 (E)DRN 132S4 KF 157R97 (E)DRN 132S4 KA 157R97 (E)DRN 132S4 KAF 157R97 (E)DRN 132S4	1830	703/715	
3.1	137700	567	25500	1.15	X		2010	704/715	
3.5	122500	504	25600	1.30	X		1750	705/715	
4.1	104600	434	25800	1.50	X		1880	704/715	
4.7	90800	379	25900	1.75	X				
5.3	80200	333	26000	2.0	X				
6.1	69600	291	26000	2.3	X				
3.7	115300	473	17800	1.00	X		K 127R87 (E)DRN 132S4 KF 127R87 (E)DRN 132S4 KA 127R87 (E)DRN 132S4 KAF 127R87 (E)DRN 132S4	1190	696/714
4.2	103400	418	17900	1.10	X	1280		697/714	
4.8	90300	367	18100	1.25	X	1120		698/714	
5.3	81100	330	18200	1.40	X	1210		697/714	
6.2	69800	287	18300	1.65	X				
7.0	61700	253	18400	1.85	X				
8.3	51900	213	18400	2.2	X				
8.8	49400	200	18500	2.1	X				
11	40900	166	18500	2.6	X				
12	36100	147	18500	2.9	X				
4.2	103500	418	17900	1.10	X	K 127R77 (E)DRN 132S4 KF 127R77 (E)DRN 132S4 KA 127R77 (E)DRN 132S4 KAF 127R77 (E)DRN 132S4		1140	696/714
						1230		697/714	
						1080	698/714		
						1160	697/714		
6.2	70800	286	14600	1.00	X	K 107R77 (E)DRN 132S4 KF 107R77 (E)DRN 132S4 KA 107R77 (E)DRN 132S4 KAF 107R77 (E)DRN 132S4	790	689/714	
7.0	62000	251	14600	1.15	X		810	690/714	
8.0	54700	222	14600	1.30	X		730	691/714	
9.0	48400	196	14600	1.45	X		780	690/714	
10	43300	174	14600	1.45	X				
11	38300	154	14600	1.65	X				
13	34800	140	14600	1.85	X				

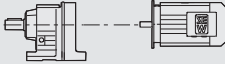

P_m = 7.5 HP											
n_a rpm	T_a lb-in	i ratio	F_{Ra}¹⁾ lb	SEW SF f_B	HazLoc -NA[®]					m lbs	
8.7	54200	136.14	18400	2.1		K	127	DRN	160M6	1170	696
9.7	48800	122.48	18500	2.4		KF	127	DRN	160M6	1260	697
11	43900	110.18	18500	2.6		KA	127	DRN	160M6	1110	698
13	35800	89.89	18500	3.2		KAF	127	DRN	160M6	1190	697
12	39000	146.07	18500	3.0	X	K	127	(E)DRN	132S4	1050	696
						KF	127	(E)DRN	132S4	1150	697
						KA	127	(E)DRN	132S4	990	698
						KAF	127	(E)DRN	132S4	1070	697
11	44800	112.41*	14600	1.60		K	107	DRN	160M6	830	689
12	40100	100.75	14600	1.75		KF	107	DRN	160M6	860	690
13	36200	90.96*	14600	1.95		KA	107	DRN	160M6	770	691
14	32900	82.61	14600	2.1		KAF	107	DRN	160M6	820	690
12	38300	143.47*	14600	1.85	X						
15	32400	121.46	14600	2.2	X	K	107	(E)DRN	132S4	700	689
16	30000	112.41*	14600	2.4	X	KF	107	(E)DRN	132S4	730	690
18	26900	100.75	14600	2.6	X	KA	107	(E)DRN	132S4	640	691
19	24300	90.96*	14500	2.9	X	KAF	107	(E)DRN	132S4	690	690
21	22000	82.61	14200	3.2	X						
14	33100	123.93*	8990	1.15	X						
17	28000	105.13	8990	1.35	X						
18	25800	96.80	8990	1.45	X						
20	23100	86.52	8990	1.65	X	K	97	(E)DRN	132S4	450	682
23	20800	77.89*	8990	1.85	X	KF	97	(E)DRN	132S4	495	683
25	18800	70.54	8920	2.0	X	KA	97	(E)DRN	132S4	410	684
28	16700	62.55	8730	2.3	X	KAF	97	(E)DRN	132S4	465	683
31	15100	56.55	8570	2.5	X						
37	12800	47.93*	8290	3.0	X						
20	23000	86.34	6160	1.05	X						
22	21200	79.34	6140	1.15	X						
25	18800	70.46	6100	1.25	X						
28	16800	63.00*	6030	1.40	X	K	87	(E)DRN	132S4	320	675
31	15100	56.64	5960	1.60	X	KF	87	(E)DRN	132S4	340	676
36	13100	49.16	5860	1.80	X	KA	87	(E)DRN	132S4	290	677
40	11700	44.02	5760	1.95	X	KAF	87	(E)DRN	132S4	320	676
48	9760	36.52*	5590	2.3	X						
56	8380	31.39	5430	2.9	X						
63	7440	27.88	5310	3.1	X						
35	13600	51.18	3460	1.00	X						
39	12000	45.16	3720	1.15	X						
44	10700	40.04	3910	1.30	X						
57	8250	30.89	4170	1.65	X						
60	7820	29.27	4210	1.75	X						
69	6840	25.62	4280	2.0	X	K	77	(E)DRN	132S4	240	668
77	6160	23.08	4330	2.2	X	KF	77	(E)DRN	132S4	255	669
87	5410	20.25	4340	2.5	X	KA	77	(E)DRN	132S4	225	670
99	4770	17.87	4230	2.7	X	KAF	77	(E)DRN	132S4	240	669
112	4230	15.84	4120	2.9	X						
131	3610	13.52	3980	3.3	X						
143	3300	12.36	3840	2.7	X						
163	2890	10.84	3730	3.0	X						
74	6410	24.00	2490	1.10	X						
78	6050	22.66	2560	1.15	X						
92	5150	19.30	2700	1.30	X						
101	4680	17.54	2760	1.40	X						
116	4050	15.19	2830	1.55	X	K	67	(E)DRN	132S4	185	661
134	3530	13.22	2870	1.70	X	KF	67	(E)DRN	132S4	195	662
142	3330	12.48	2760	1.40	X	KA	67	(E)DRN	132S4	180	663
166	2840	10.63	2690	1.55	X	KAF	67	(E)DRN	132S4	190	662
183	2580	9.66	2640	1.65	X						
211	2230	8.37	2570	1.75	X						
243	1940	7.28	2500	1.90	X						
340	1390	5.20	2320	2.2	X						

21933480/EN-US - 04/2018

P_m = 7.5 HP							m lbs	
n_a rpm	T_a lb-in	i ratio	F_{Ra}¹⁾ lb	SEW SF f_B	HazLoc -NA[®]			
91	5160	19.34	1150	1.00				
101	4690	17.57	1170	1.05	X			
116	4060	15.22	1180	1.15	X			
133	3540	13.25	1180	1.25	X			
148	3180	11.92	1110	1.15	X	K	57	(E)DRN 132S4 170 654
157	3000	11.26	1110	1.20	X	KF	57	(E)DRN 132S4 185 655
184	2560	9.59	1110	1.40	X	KA	57	(E)DRN 132S4 170 656
203	2320	8.71	1100	1.50	X	KAF	57	(E)DRN 132S4 180 655
234	2010	7.55	1090	1.60	X			
269	1750	6.57	1070	1.75	X			
377	1250	4.69	1020	2.1	X			
370	1270	9.59	1020	2.8		K	57	DRN 132S2 170 654
407	1160	8.71	1000	3.0		KF	57	DRN 132S2 185 655
470	1000	7.55	980	3.2		KA	57	DRN 132S2 170 656
540	870	6.57	950	3.5		KAF	57	DRN 132S2 180 655
756	625	4.69	880	4.2				
113	4180	15.67	920	1.05	X			
132	3570	13.38	950	1.15	X			
193	2440	9.14	1120	1.80	X			
204	2310	8.66	1110	1.90	X	K	49	(E)DRN 132S4 185 650
233	2020	7.58	1090	2.2	X	KF	49	(E)DRN 132S4 185 651
259	1820	6.83	1070	2.4	X	KA	49	(E)DRN 132S4 175 652
295	1600	5.99	1040	2.8	X	KAF	49	(E)DRN 132S4 190 651
334	1410	5.29	1010	3.0	X			
377	1250	4.69	980	3.3	X			
442	1060	4.00	950	3.6	X			
409	1150	8.66	960	3.8		K	49	DRN 132S2 185 650
467	1010	7.58	930	4.4		KF	49	DRN 132S2 185 651
519	910	6.83	910	4.9		KA	49	DRN 132S2 175 652
591	795	5.99	880	5.5		KAF	49	DRN 132S2 190 651
670	705	5.29	850	6.1				
756	625	4.69	820	6.6				
885	530	4.00	785	7.3				



P_m = 10.0 HP							m lbs	
n_a rpm	T_a lb-in	i ratio	F_{Ra}¹⁾ lb	SEW SF f_B	HazLoc -NA[®]			
2.1	267900	835	42700	1.65	X			
2.4	232400	729	42700	1.90	X	K	187R107	(E)DRN 132M4 4130 712/715
2.9	198200	622	42700	2.2	X	KH	187R107	(E)DRN 132M4 3980 713/715
3.4	168500	520	42700	2.6	X			
1.5	389000	1196	42700	1.15	X			
1.7	339900	1046	42700	1.30	X			
1.9	306600	945	42700	1.45	X	K	187R97	(E)DRN 132M4 4030 712/715
2.4	239600	738	42700	1.85	X	KH	187R97	(E)DRN 132M4 3880 713/715
2.9	201400	621	42700	2.2	X			
3.4	169900	527	42700	2.6	X			
5.6	103000	318	33700	2.8	X	K	167R107	(E)DRN 132M4 2850 710/715
						KH	167R107	(E)DRN 132M4 2760 711/715
2.1	272500	843	33700	1.05	X			
2.3	245500	757	33700	1.15	X			
2.8	205500	632	33700	1.40	X			
3.2	180200	561	33700	1.55	X	K	167R97	(E)DRN 132M4 2740 710/715
3.7	156300	481	33700	1.80	X	KH	167R97	(E)DRN 132M4 2660 711/715
4.2	136000	423	33700	2.1	X			
4.8	118900	369	33700	2.4	X			
4.6	120800	385	25600	1.30	X	K	157R107	(E)DRN 132M4 1980 703/715
5.9	95200	299	25900	1.65	X	KF	157R107	(E)DRN 132M4 2150 704/715
7.0	80100	253	26000	2.0	X	KA	157R107	(E)DRN 132M4 1900 705/715
8.3	67900	213	26000	2.3	X	KAF	157R107	(E)DRN 132M4 2030 704/715
4.1	140200	434	25400	1.15	X	K	157R97	(E)DRN 132M4 1870 703/715
4.7	121900	379	25600	1.30	X	KF	157R97	(E)DRN 132M4 2050 704/715
5.3	107500	333	25800	1.50	X	KA	157R97	(E)DRN 132M4 1790 705/715
6.1	93500	291	25900	1.70	X	KAF	157R97	(E)DRN 132M4 1920 704/715



221933480/EN-US - 04/2018

P_m = 10.0 HP									
n_a rpm	T_a lb-in	i ratio	F_{Ra}¹⁾ lb	SEW SF f_B	HazLoc -NA[®]			m lbs	
5.4	108200	330	17900	1.05	X				
6.2	93300	287	18100	1.25	X				
7.0	82500	253	18200	1.40	X	K	127R87	(E)DRN 132M4	1230 696/714
8.3	69300	213	18300	1.65	X	KF	127R87	(E)DRN 132M4	1320 697/714
8.8	66100	200	18300	1.60	X	KA	127R87	(E)DRN 132M4	1160 698/714
11	54700	166	18400	1.95	X	KAF	127R87	(E)DRN 132M4	1250 697/714
12	48200	147	18500	2.2	X				
9.0	64500	196	14600	1.10	X	K	107R77	(E)DRN 132M4	830 689/714
10	57700	174	14600	1.10	X	KF	107R77	(E)DRN 132M4	850 690/714
12	51100	154	14600	1.25	X	KA	107R77	(E)DRN 132M4	770 691/714
13	46300	140	14600	1.35	X	KAF	107R77	(E)DRN 132M4	820 690/714
7.2	87600	164.50	33700	3.2		KH	167	DRN 160M6	2550 710
8.8	71900	134.99	33700	3.9		KH	167	DRN 160M6	2470 711
7.9	80100	150.41	26000	2.0		K	157	DRN 160M6	1680 703
9.7	65200	122.39	26000	2.4		KF	157	DRN 160M6	1850 704
12	53400	100.22	26100	3.0		KA	157	DRN 160M6	1600 705
13	48800	91.65	26100	3.3		KAF	157	DRN 160M6	1730 704
15	42500	79.75	26100	3.8					
8.7	72500	136.14	18300	1.60		K	127	DRN 160M6	1170 696
9.7	65200	122.48	18300	1.75		KF	127	DRN 160M6	1260 697
11	58700	110.18	18400	1.95		KA	127	DRN 160M6	1110 698
13	47900	89.89	18500	2.4		KAF	127	DRN 160M6	1190 697
12	51800	146.07	18400	2.2	X				
13	48300	136.14	18500	2.4	X				
14	43500	122.48	18500	2.6	X	K	127	(E)DRN 132M4	1080 696
16	39100	110.18	18500	2.9	X	KF	127	(E)DRN 132M4	1170 697
20	31900	89.89	18600	3.6	X	KA	127	(E)DRN 132M4	1020 698
22	29100	81.98	18600	4.0	X	KAF	127	(E)DRN 132M4	1100 697
25	25100	70.95*	18600	4.6	X				
12	50900	143.47*	14600	1.40	X				
15	43100	121.46	14600	1.65	X				
16	39900	112.41*	14400	1.75	X				
18	35700	100.75	14200	2.0	X				
20	32300	90.96*	13900	2.2	X	K	107	(E)DRN 132M4	740 689
21	29300	82.61	13700	2.4	X	KF	107	(E)DRN 132M4	770 690
24	26000	73.30	13400	2.7	X	KA	107	(E)DRN 132M4	680 691
27	23600	66.52*	13100	3.0	X	KAF	107	(E)DRN 132M4	730 690
31	20300	57.17*	12700	3.5	X				
36	17700	49.90	12300	3.9	X				
42	15000	42.33*	11900	4.3	X				
48	13100	37.00*	11500	4.8	X				
17	37300	105.13	8620	1.00	X				
18	34300	96.80	8590	1.10	X				
20	30700	86.52	8530	1.25	X				
23	27600	77.89*	8450	1.40	X				
25	25000	70.54	8360	1.50	X	K	97	(E)DRN 132M4	490 682
28	22200	62.55	8240	1.70	X	KF	97	(E)DRN 132M4	530 683
31	20000	56.55	8120	1.90	X	KA	97	(E)DRN 132M4	450 684
37	17000	47.93*	7910	2.2	X	KAF	97	(E)DRN 132M4	500 683
42	14800	41.87	7730	2.6	X				
46	13500	38.30	7600	2.8	X				
52	12100	34.23	7440	3.1	X				
28	22300	63.00*	5460	1.05	X				
31	20100	56.64	5450	1.20	X				
36	17400	49.16	5410	1.35	X				
40	15600	44.02	5360	1.45	X				
49	12900	36.52*	5250	1.70	X				
57	11100	31.39	5150	2.1	X	K	87	(E)DRN 132M4	360 675
64	9890	27.88	5050	2.3	X	KF	87	(E)DRN 132M4	380 676
71	8840	24.92	4960	2.5	X	KA	87	(E)DRN 132M4	330 677
79	7950	22.41	4870	2.6	X	KAF	87	(E)DRN 132M4	360 676
91	6900	19.45	4740	3.0	X				
102	6180	17.42	4630	3.1	X				
111	5680	16.00	4450	2.8	X				
123	5130	14.45	4460	3.6	X				

21933480/EN-US - 04/2018

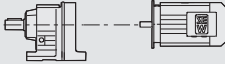

10

P_m = 10.0 HP							m lbs	
n_a rpm	T_a lb-in	i ratio	F_{Ra}¹⁾ lb	SEW SF f_B	HazLoc -NA[®]			
57	10900	30.89	3880	1.25	X			
61	10300	29.27	3950	1.30	X			
69	9090	25.62	4090	1.50	X			
77	8190	23.08	4170	1.65	X			
88	7180	20.25	4120	1.85	X			
99	6340	17.87	4040	2.0	X	K	77	(E)DRN 132M4 280 668
112	5620	15.84	3950	2.2	X	KF	77	(E)DRN 132M4 295 669
131	4800	13.52	3840	2.5	X	KA	77	(E)DRN 132M4 260 670
144	4380	12.36	3690	2.0	X	KAF	77	(E)DRN 132M4 280 669
164	3840	10.84	3600	2.3	X			
186	3390	9.56	3510	2.5	X			
209	3010	8.48	3420	2.6	X			
245	2570	7.24	3300	2.8	X			
101	6220	17.54	2530	1.05	X			
117	5390	15.19	2660	1.15	X			
134	4690	13.22	2690	1.25	X			
142	4430	12.48	2570	1.05	X	K	67	(E)DRN 132M4 225 661
167	3770	10.63	2520	1.15	X	KF	67	(E)DRN 132M4 240 662
184	3430	9.66	2490	1.25	X	KA	67	(E)DRN 132M4 220 663
212	2970	8.37	2440	1.30	X	KAF	67	(E)DRN 132M4 230 662
244	2580	7.28	2390	1.45	X			
341	1840	5.20	2240	1.70	X			
185	3400	9.59	950	1.05	X	K	57	(E)DRN 132M4 215 654
204	3090	8.71	960	1.10	X	KF	57	(E)DRN 132M4 225 655
235	2680	7.55	960	1.20	X	KA	57	(E)DRN 132M4 210 656
270	2330	6.57	960	1.30	X	KAF	57	(E)DRN 132M4 220 655
378	1660	4.69	940	1.60	X			
370	1700	9.59	940	2.1	X	K	57	DRN 132S2 170 654
407	1540	8.71	930	2.2	X	KF	57	DRN 132S2 185 655
470	1340	7.55	910	2.4	X	KA	57	DRN 132S2 170 656
540	1160	6.57	890	2.6	X	KAF	57	DRN 132S2 180 655
756	830	4.69	840	3.2	X			
194	3240	9.14	1030	1.35	X			
205	3070	8.66	1020	1.45	X			
234	2690	7.58	1010	1.65	X	K	49	(E)DRN 132M4 225 650
260	2420	6.83	990	1.80	X	KF	49	(E)DRN 132M4 225 651
296	2120	5.99	970	2.1	X	KA	49	(E)DRN 132M4 215 652
336	1870	5.29	950	2.3	X	KAF	49	(E)DRN 132M4 230 651
378	1660	4.69	930	2.5	X			
443	1420	4.00	900	2.7	X			

P_m = 12.3 HP							m lbs	
n_a rpm	T_a lb-in	i ratio	F_{Ra}¹⁾ lb	SEW SF f_B	HazLoc -NA[®]			
2.1	331400	835	42700	1.35	X			
2.4	287900	729	42700	1.55	X			
2.9	245400	622	42700	1.80	X	K	187R107	(E)DRN 132L4 4150 712/715
3.4	208500	520	42700	2.1	X	KH	187R107	(E)DRN 132L4 4000 713/715
3.9	181000	454	42700	2.4	X			
1.7	419500	1046	42700	1.05	X			
1.9	378500	945	42700	1.15	X			
2.4	295800	738	42700	1.50	X	K	187R97	(E)DRN 132L4 4040 712/715
2.9	248600	621	42700	1.80	X	KH	187R97	(E)DRN 132L4 3900 713/715
3.4	210000	527	42700	2.1	X			
5.6	127500	318	33700	2.2	X			
6.4	110700	278	33700	2.6	X			
7.3	95600	244	33700	3.0	X	K	167R107	(E)DRN 132L4 2860 710/715
8.3	83100	213	33700	3.4	X	KH	167R107	(E)DRN 132L4 2780 711/715
8.6	81000	206	33700	3.5	X			
2.8	253600	632	33700	1.10	X			
3.2	222800	561	33700	1.25	X			
3.7	192800	481	33700	1.45	X	K	167R97	(E)DRN 132L4 2760 710/715
4.2	168200	423	33700	1.70	X	KH	167R97	(E)DRN 132L4 2680 711/715
4.8	147000	369	33700	1.95	X			

221933480/EN-US - 04/2018



P_m = 12.3 HP

n _a rpm	T _a lb-in	i ratio	F _{Ra} ¹⁾ lb	SEW SF f _B	HazLoc -NA®		m lbs	
4.6	150100	385	25300	1.05	X			
5.5	125600	325	25600	1.25	X			
5.9	117900	299	25700	1.35	X	K	157R107	(E)DRN 132L4 2000 703/715
7.0	99300	253	25800	1.60	X	KF	157R107	(E)DRN 132L4 2170 704/715
7.7	88900	230	25900	1.80	X	KA	157R107	(E)DRN 132L4 1910 705/715
8.3	84300	213	25900	1.90	X	KAF	157R107	(E)DRN 132L4 2040 704/715
9.5	72200	187	26000	2.2	X			
11	61300	157	26100	2.6	X			
4.7	150700	379	25300	1.05	X	K	157R97	(E)DRN 132L4 1890 703/715
5.3	132800	333	25500	1.20	X	KF	157R97	(E)DRN 132L4 2060 704/715
6.1	115600	291	25700	1.40	X	KA	157R97	(E)DRN 132L4 1810 705/715
						KAF	157R97	(E)DRN 132L4 1940 704/715
7.0	101800	253	18000	1.15	X	K	127R87	(E)DRN 132L4 1240 696/714
8.3	85500	213	18200	1.35	X	KF	127R87	(E)DRN 132L4 1340 697/714
8.9	81400	200	18200	1.30	X	KA	127R87	(E)DRN 132L4 1180 698/714
11	67400	166	18300	1.55	X	KAF	127R87	(E)DRN 132L4 1260 697/714
12	59500	147	18400	1.80	X			
12	62900	154	14400	1.00	X	K	107R77	(E)DRN 132L4 840 689/714
13	57100	140	14300	1.10	X	KF	107R77	(E)DRN 132L4 870 690/714
						KA	107R77	(E)DRN 132L4 780 691/714
						KAF	107R77	(E)DRN 132L4 840 690/714
12	65600	150.41	26000	2.4	X	K	157	(E)DRN 132L4 1610 703
14	53400	122.39	26100	3.0	X	KF	157	(E)DRN 132L4 1790 704
						KA	157	(E)DRN 132L4 1530 705
						KAF	157	(E)DRN 132L4 1660 704
13	59400	136.14	18400	1.95	X	K	127	(E)DRN 132L4 1100 696
14	53400	122.48	18400	2.1	X	KF	127	(E)DRN 132L4 1190 697
16	48100	110.18	18500	2.4	X	KA	127	(E)DRN 132L4 1040 698
20	39200	89.89	18500	2.9	X	KAF	127	(E)DRN 132L4 1120 697
22	35700	81.98	18500	3.2	X			
16	49000	112.41*	13800	1.45	X			
18	43900	100.75	13600	1.60	X			
20	39700	90.96*	13400	1.80	X			
21	36000	82.61	13200	1.95	X	K	107	(E)DRN 132L4 760 689
24	32000	73.30	12900	2.2	X	KF	107	(E)DRN 132L4 790 690
27	29000	66.52*	12700	2.4	X	KA	107	(E)DRN 132L4 700 691
31	24900	57.17*	12400	2.8	X	KAF	107	(E)DRN 132L4 750 690
36	21700	49.90	12000	3.2	X			
42	18400	42.33*	11600	3.5	X			
21	37700	86.52	7910	1.00	X			
23	34000	77.89*	7890	1.10	X			
25	30700	70.54	7850	1.25	X			
28	27300	62.55	7790	1.40	X			
31	24600	56.55	7710	1.55	X			
37	20900	47.93*	7570	1.80	X	K	97	(E)DRN 132L4 510 682
42	18200	41.87	7430	2.1	X	KF	97	(E)DRN 132L4 550 683
46	16700	38.30	7320	2.3	X	KA	97	(E)DRN 132L4 465 684
52	14900	34.23	7190	2.5	X	KAF	97	(E)DRN 132L4 520 683
58	13400	30.82	7060	2.8	X			
64	12100	27.91	6930	3.1	X			
72	10800	24.75	6770	3.5	X			
36	21400	49.16	5000	1.10	X			
40	19200	44.02	4990	1.20	X			
49	15900	36.52*	4950	1.40	X			
57	13700	31.39	4880	1.75	X			
64	12100	27.88	4820	1.90	X			
71	10800	24.92	4750	2.0	X	K	87	(E)DRN 132L4 375 675
79	9780	22.41	4680	2.1	X	KF	87	(E)DRN 132L4 395 676
91	8480	19.45	4580	2.4	X	KA	87	(E)DRN 132L4 350 677
102	7600	17.42	4490	2.6	X	KAF	87	(E)DRN 132L4 380 676
111	6980	16.00	4300	2.3	X			
123	6300	14.45	4330	3.0	X			
141	5480	12.56	4210	3.2	X			
159	4870	11.17	4020	2.7	X			
178	4360	10.00	3930	3.0	X			

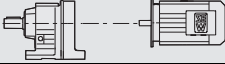

10

21933480/EN-US - 04/2018



P_m = 12.3 HP

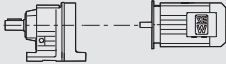

n _a rpm	T _a lb-in	i ratio	F _{Ra} ¹⁾ lb	SEW SF f _B	HazLoc -NA®		m lbs	
77	10000	23.08	3980	1.35	X			
88	8830	20.25	3920	1.50	X			
99	7790	17.87	3860	1.65	X			
112	6910	15.84	3800	1.80	X	K	77	(E)DRN 132L4 295 668
131	5900	13.52	3700	2.0	X	KF	77	(E)DRN 132L4 315 669
144	5390	12.36	3550	1.65	X	KA	77	(E)DRN 132L4 280 670
164	4730	10.84	3480	1.85	X	KAF	77	(E)DRN 132L4 300 669
186	4170	9.56	3400	2.0	X			
209	3700	8.48	3330	2.1	X			
245	3160	7.24	3220	2.3	X			

P_m = 15.0 HP



n _a rpm	T _a lb-in	i ratio	F _{Ra} ¹⁾ lb	SEW SF f _B	HazLoc -NA®		m lbs	
2.1	406000	835	42700	1.10	X			
2.4	352900	729	42700	1.25	X			
2.9	300900	622	42700	1.45	X	K	187R107	(E)DRN 160M4 4220 712/715
3.4	255300	520	42700	1.75	X	KH	187R107	(E)DRN 160M4 4070 713/715
3.9	221900	454	42700	2.0	X			
5.0	171200	355	42700	2.6	X			
2.4	361700	738	42700	1.20	X	K	187R97	(E)DRN 160M4 4120 712/715
2.9	304000	621	42700	1.45	X	KH	187R97	(E)DRN 160M4 3970 713/715
3.4	256900	527	42700	1.70	X			
5.6	156100	318	33700	1.80	X			
6.4	135700	278	33700	2.1	X	K	167R107	(E)DRN 160M4 2940 710/715
7.3	117400	244	33700	2.4	X	KH	167R107	(E)DRN 160M4 2850 711/715
8.3	102100	213	33700	2.8	X			
8.6	99500	206	33700	2.8	X			
3.2	272800	561	33700	1.05	X	K	167R97	(E)DRN 160M4 2830 710/715
3.7	235700	481	33700	1.20	X	KH	167R97	(E)DRN 160M4 2750 711/715
4.2	205900	423	33700	1.35	X			
4.8	179800	369	33700	1.55	X			
5.5	154700	325	25300	1.05	X	K	157R107	(E)DRN 160M4 2070 703/715
6.0	144500	299	25400	1.10	X	KF	157R107	(E)DRN 160M4 2240 704/715
7.0	121900	253	25600	1.30	X	KA	157R107	(E)DRN 160M4 1990 705/715
7.7	109400	230	25700	1.45	X	KAF	157R107	(E)DRN 160M4 2120 704/715
8.3	103500	213	25800	1.55	X			
9.5	88900	187	25900	1.80	X			
11	75400	157	26000	2.1	X			
15	59500	122	26100	2.7	X			
5.3	162500	333	25200	1.00		K	157R97	(E)DRN 160M4 1960 703/715
6.1	141500	291	25400	1.10	X	KF	157R97	(E)DRN 160M4 2140 704/715
						KA	157R97	(E)DRN 160M4 1880 705/715
						KAF	157R97	(E)DRN 160M4 2010 704/715
8.3	104500	213	17900	1.10	X	K	127R87	(E)DRN 160M4 1310 696/714
8.9	99500	200	18000	1.05	X	KF	127R87	(E)DRN 160M4 1410 697/714
11	82400	166	18200	1.30	X	KA	127R87	(E)DRN 160M4 1250 698/714
12	72700	147	18300	1.45	X	KAF	127R87	(E)DRN 160M4 1340 697/714
11	87500	164.50	33700	3.2	X	K	167	(E)DRN 160M4 2550 710
13	71800	134.99	33700	3.9	X	KH	167	(E)DRN 160M4 2470 711
12	80000	150.41	26000	2.0	X	K	157	(E)DRN 160M4 1680 703
15	65100	122.39	26000	2.5	X	KF	157	(E)DRN 160M4 1850 704
18	53300	100.22	25800	3.0	X	KA	157	(E)DRN 160M4 1600 705
19	48700	91.65	25300	3.3	X	KAF	157	(E)DRN 160M4 1730 704
13	72400	136.14	18300	1.60	X			
14	65100	122.48	18400	1.75	X	K	127	(E)DRN 160M4 1170 696
16	58600	110.18	18400	1.95	X	KF	127	(E)DRN 160M4 1260 697
20	47800	89.89	18500	2.4	X	KA	127	(E)DRN 160M4 1110 698
22	43600	81.98	18500	2.6	X	KAF	127	(E)DRN 160M4 1190 697
25	37700	70.95*	18500	3.0	X			

221933480/EN-US - 04/2018

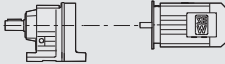

P_m = 15.0 HP							m lbs	
n_a rpm	T_a lb-in	i ratio	F_{Ra}¹⁾ lb	SEW SF f _B	HazLoc -NA [®]			
16	59800	112.41*	13000	1.20	X			
18	53600	100.75	12900	1.30	X			
20	48400	90.96*	12700	1.45	X			
22	43900	82.61	12600	1.60	X	K	107	(E)DRN 160M4 830 689
24	39000	73.30	12400	1.80	X	KF	107	(E)DRN 160M4 860 690
27	35300	66.52*	12200	2.0	X	KA	107	(E)DRN 160M4 770 691
31	30400	57.17*	11900	2.3	X	KAF	107	(E)DRN 160M4 820 690
36	26500	49.90	11700	2.6	X			
42	22500	42.33*	11300	2.9	X			
48	19600	37.00*	11000	3.2	X			
25	37500	70.54	7260	1.00	X			
28	33200	62.55	7260	1.15	X			
31	30000	56.55	7240	1.25	X			
37	25500	47.93*	7160	1.50	X			
42	22200	41.87	7070	1.70	X	K	97	(E)DRN 160M4 580 682
46	20300	38.30	7000	1.85	X	KF	97	(E)DRN 160M4 620 683
52	18200	34.23	6900	2.1	X	KA	97	(E)DRN 160M4 540 684
58	16300	30.82	6800	2.3	X	KAF	97	(E)DRN 160M4 590 683
64	14800	27.91	6690	2.6	X			
72	13100	24.75	6560	2.9	X			
79	11900	22.37	6440	3.2	X			
40	23400	44.02	4560	1.00				
49	19400	36.52*	4590	1.15	X			
57	16700	31.39	4580	1.45	X			
64	14800	27.88	4550	1.55	X			
71	13200	24.92	4510	1.65	X			
79	11900	22.41	4460	1.70	X			
91	10300	19.45	4390	1.95	X	K	87	(E)DRN 160M4 445 675
102	9260	17.42	4320	2.1	X	KF	87	(E)DRN 160M4 465 676
111	8510	16.00	4110	1.85	X	KA	87	(E)DRN 160M4 420 677
123	7680	14.45	4190	2.4	X	KAF	87	(E)DRN 160M4 450 676
141	6680	12.56	4090	2.6	X			
159	5940	11.17	3890	2.2	X			
178	5310	10.00	3820	2.5	X			
214	4410	8.29	3680	2.8	X			
246	3830	7.21	3580	3.0	X			
77	12200	23.08	3690	1.10	X			
88	10700	20.25	3690	1.25	X			
99	9500	17.87	3660	1.35	X			
112	8420	15.84	3620	1.45	X	K	77	(E)DRN 160M4 365 668
131	7190	13.52	3550	1.65	X	KF	77	(E)DRN 160M4 385 669
144	6570	12.36	3390	1.35	X	KA	77	(E)DRN 160M4 350 670
164	5760	10.84	3340	1.50	X	KAF	77	(E)DRN 160M4 370 669
186	5080	9.56	3280	1.65	X			
209	4510	8.48	3220	1.75	X			
245	3850	7.24	3130	1.90	X			

P_m = 20 HP							m lbs	
n_a rpm	T_a lb-in	i ratio	F_{Ra}¹⁾ lb	SEW SF f _B	HazLoc -NA [®]			
2.9	403600	622	42700	1.10	X			
3.4	342100	520	42700	1.30	X			
3.9	297700	454	42700	1.50	X	K	187R107	(E)DRN 160L4 4250 712/715
5.0	229900	355	42700	1.90	X	KH	187R107	(E)DRN 160L4 4110 713/715
6.8	171200	261	42700	2.6	X			
2.9	406600	621	42700	1.10	X	K	187R97	(E)DRN 160L4 4150 712/715
3.4	343900	527	42700	1.30	X	KH	187R97	(E)DRN 160L4 4000 713/715
5.6	209200	318	33700	1.35	X			
6.4	182000	278	33700	1.55	X			
7.3	157700	244	33700	1.80	X			
8.3	137300	213	33700	2.1	X	K	167R107	(E)DRN 160L4 2970 710/715
8.6	133900	206	33700	2.1	X	KH	167R107	(E)DRN 160L4 2890 711/715
9.9	115400	180	33700	2.5	X			
11	104700	160	33700	2.7	X			

21933480/EN-US - 04/2018



P_m = 20 HP											
n_a rpm	T_a lb-in	i ratio	F_{Ra}¹⁾ lb	SEW SF f _B	HazLoc -NA®					m lbs	
4.2	275800	423	33700	1.05	X	K	167R97	(E)DRN	160L4	2870	710/715
4.8	240700	369	33700	1.20	X	KH	167R97	(E)DRN	160L4	2780	711/715
7.7	147500	230	25400	1.10	X	K	157R107	(E)DRN	160L4	2100	703/715
8.3	139000	213	25500	1.15	X	KF	157R107	(E)DRN	160L4	2280	704/715
9.5	119800	187	25600	1.35	X	KA	157R107	(E)DRN	160L4	2020	705/715
11	101700	157	25800	1.55	X	KAF	157R107	(E)DRN	160L4	2150	704/715
15	79900	122	26000	2.0	X						
17	69600	107	25500	2.3	X						
12	97200	147	18000	1.10	X	K	127R87	(E)DRN	160L4	1350	696/714
						KF	127R87	(E)DRN	160L4	1440	697/714
						KA	127R87	(E)DRN	160L4	1290	698/714
						KAF	127R87	(E)DRN	160L4	1370	697/714
11	116600	164.50	33700	2.4	X	K	167	(E)DRN	160L4	2580	710
13	95700	134.99	33700	3.0	X	KH	167	(E)DRN	160L4	2500	711
12	106600	150.41	25800	1.50	X	K	157	(E)DRN	160L4	1720	703
15	86700	122.39	25700	1.85	X	KF	157	(E)DRN	160L4	1890	704
18	71000	100.22	24800	2.2	X	KA	157	(E)DRN	160L4	1630	705
19	64900	91.65	24400	2.5	X	KAF	157	(E)DRN	160L4	1760	704
22	56500	79.75	23700	2.8	X						
13	96500	136.14	18000	1.20	X						
15	86800	122.48	18100	1.30	X						
16	78100	110.18	18200	1.45	X						
20	63700	89.89	18400	1.80	X	K	127	(E)DRN	160L4	1200	696
22	58100	81.98	18200	2.0	X	KF	127	(E)DRN	160L4	1300	697
25	50300	70.95*	17800	2.3	X	KA	127	(E)DRN	160L4	1140	698
28	44300	62.60	17400	2.6	X	KAF	127	(E)DRN	160L4	1220	697
33	38300	54.07	16900	3.0	X						
37	33900	47.82	16500	3.4	X						
20	64400	90.96*	11300	1.10	X						
22	58500	82.61	11500	1.20	X						
24	51900	73.30	11400	1.35	X						
27	47100	66.52*	11400	1.50	X						
31	40500	57.17*	11200	1.75	X	K	107	(E)DRN	160L4	870	689
36	35300	49.90	11000	1.95	X	KF	107	(E)DRN	160L4	890	690
42	30000	42.33*	10700	2.2	X	KA	107	(E)DRN	160L4	810	691
48	26200	37.00*	10500	2.4	X	KAF	107	(E)DRN	160L4	860	690
54	23100	32.69	10300	2.8	X						
57	22100	31.28*	10200	2.7	X						
61	20500	29.00	10100	3.1	X						
37	33900	47.93*	6410	1.10	X						
42	29600	41.87	6420	1.30	X						
46	27100	38.30	6400	1.40	X						
52	24200	34.23	6360	1.55	X	K	97	(E)DRN	160L4	610	682
58	21800	30.82	6310	1.75	X	KF	97	(E)DRN	160L4	660	683
64	19700	27.91	6250	1.90	X	KA	97	(E)DRN	160L4	570	684
72	17500	24.75	6170	2.2	X	KAF	97	(E)DRN	160L4	630	683
79	15800	22.37	6090	2.4	X						
94	13400	18.96	5940	2.8	X						
107	11700	16.56	5800	3.2	X						
57	22200	31.39	4010	1.05	X						
64	19700	27.88	4040	1.15	X						
71	17600	24.92	4060	1.25	X						
79	15800	22.41	4060	1.30	X						
91	13700	19.45	4030	1.50	X						
102	12300	17.42	4000	1.60	X	K	87	(E)DRN	160L4	480	675
111	11300	16.00	3770	1.40	X	KF	87	(E)DRN	160L4	500	676
123	10200	14.45	3930	1.80	X	KA	87	(E)DRN	160L4	455	677
141	8900	12.56	3860	2.0	X	KAF	87	(E)DRN	160L4	485	676
159	7910	11.17	3660	1.70	X						
178	7080	10.00	3610	1.85	X						
214	5880	8.29	3510	2.1	X						
246	5110	7.21	3430	2.2	X						



P_m = 25 HP

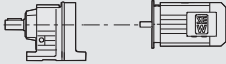

n _a rpm	T _a lb-in	i ratio	F _{Ra} ¹⁾ lb	SEW SF f _B	HazLoc -NA®					m lbs	
3.4	428100	520	42700	1.05	X						
3.9	372800	454	42700	1.20	X						
5.0	288100	355	42700	1.55	X	K	187R107	(E)DRN	180M4	4300	712/715
6.8	214300	261	42700	2.1	X	KH	187R107	(E)DRN	180M4	4150	713/715
8.0	181200	221	42700	2.4	X						
9.2	157900	193	42700	2.8	X						
3.4	430000	527	42700	1.05	X	K	187R97	(E)DRN	180M4	4200	712/715
						KH	187R97	(E)DRN	180M4	4050	713/715
5.6	261800	318	33700	1.10	X						
6.4	227900	278	33700	1.25	X						
7.3	197600	244	33700	1.45	X						
8.3	172200	213	33700	1.65	X	K	167R107	(E)DRN	180M4	3020	710/715
8.7	167900	206	33700	1.70	X	KH	167R107	(E)DRN	180M4	2930	711/715
9.9	144900	180	33700	1.95	X						
11	131100	160	33700	2.2	X						
13	110800	135	33700	2.5	X						
15	96500	118	33700	2.9	X						
9.5	150500	187	25300	1.05	X	K	157R107	(E)DRN	180M4	2150	703/715
11	127700	157	25600	1.25	X	KF	157R107	(E)DRN	180M4	2320	704/715
15	100100	122	24900	1.60	X	KA	157R107	(E)DRN	180M4	2070	705/715
17	87300	107	24400	1.80	X	KAF	157R107	(E)DRN	180M4	2200	704/715
9.9	159000	179.86	42700	2.8	X						
11	146100	165.21	42700	3.0	X	K	187	(E)DRN	180M4	3920	712
12	127800	144.59	42700	3.5	X	KH	187	(E)DRN	180M4	3770	713
14	114600	129.69	42700	3.9	X						
13	119300	134.99	33700	2.4	X						
16	97100	109.83	33700	2.9	X	K	167	(E)DRN	180M4	2640	710
20	77700	87.86	33700	3.6	X	KH	167	(E)DRN	180M4	2550	711
15	108200	122.39	24500	1.45	X						
18	88600	100.22	23800	1.80	X						
19	81000	91.65	23500	1.95	X	K	157	(E)DRN	180M4	1770	703
22	70500	79.75	22900	2.3	X	KF	157	(E)DRN	180M4	1940	704
25	62200	70.38	22400	2.6	X	KA	157	(E)DRN	180M4	1690	705
29	53900	61.02	21800	3.0	X	KAF	157	(E)DRN	180M4	1820	704
33	48000	54.29	21200	3.3	X						
38	41300	46.79	20600	3.9	X						
47	33600	38.02	19600	4.7	X						
16	97400	110.18	17700	1.20	X						
20	79500	89.89	17400	1.45	X						
22	72500	81.98	17300	1.60	X						
25	62700	70.95*	17000	1.85	X	K	127	(E)DRN	180M4	1250	696
28	55300	62.60	16700	2.1	X	KF	127	(E)DRN	180M4	1350	697
33	47800	54.07	16300	2.4	X	KA	127	(E)DRN	180M4	1190	698
37	42200	47.82	15900	2.7	X	KAF	127	(E)DRN	180M4	1270	697
44	35500	40.19	15400	3.2	X						
49	32000	36.25	15100	3.6	X						
57	27700	31.37	14600	4.2	X						
64	24400	27.68	14200	4.7	X						
24	64800	73.30	10100	1.10	X						
27	58800	66.52*	10300	1.20	X						
31	50500	57.17*	10400	1.40	X						
36	44100	49.90	10300	1.55	X						
42	37400	42.33*	10200	1.75	X	K	107	(E)DRN	180M4	910	689
48	32700	37.00*	10000	1.95	X	KF	107	(E)DRN	180M4	940	690
54	28800	32.69	9850	2.2	X	KA	107	(E)DRN	180M4	850	691
57	27600	31.28*	9790	2.2	X	KAF	107	(E)DRN	180M4	900	690
61	25600	29.00	9670	2.5	X						
68	23200	26.32	9520	2.7	X						
79	19900	22.62	9260	3.2	X						
90	17400	19.74	9020	3.6	X						
106	14800	16.75	8720	4.2	X						

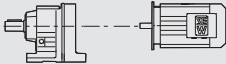

10

21933480/EN-US - 04/2018



P_m = 25 HP											
n_a rpm	T_a lb-in	i ratio	F_{Ra}¹⁾ lb	SEW SF f _B	HazLoc -NA®					m lbs	
43	37000	41.87	5760	1.05	X						
58	27200	30.82	5830	1.40	X						
64	24600	27.91	5820	1.55	X						
72	21800	24.75	5780	1.75	X	K	97	(E)DRN	180M4	660	682
80	19700	22.37	5740	1.90	X	KF	97	(E)DRN	180M4	710	683
94	16700	18.96	5640	2.3	X	KA	97	(E)DRN	180M4	620	684
108	14600	16.56	5540	2.6	X	KAF	97	(E)DRN	180M4	680	683
129	12200	13.85	5400	3.1	X						
149	10600	11.99	5270	3.2	X						
171	9200	10.41	4960	2.8	X						
71	22000	24.92	3610	1.00	X						
80	19800	22.41	3650	1.05	X						
92	17100	19.45	3680	1.20	X						
102	15300	17.42	3690	1.25	X	K	87	(E)DRN	180M4	530	675
123	12700	14.45	3670	1.45	X	KF	87	(E)DRN	180M4	550	676
142	11100	12.56	3630	1.60	X	KA	87	(E)DRN	180M4	500	677
160	9870	11.17	3420	1.35	X	KAF	87	(E)DRN	180M4	530	676
178	8830	10.00	3390	1.50	X						
215	7330	8.29	3330	1.70	X						
247	6370	7.21	3270	1.80	X						

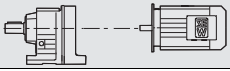

P_m = 30 HP											
n_a rpm	T_a lb-in	i ratio	F_{Ra}¹⁾ lb	SEW SF f _B	HazLoc -NA®					m lbs	
3.9	448500	454	42700	1.00							
5.0	346900	355	42700	1.30	X						
6.8	257900	261	42700	1.70	X	K	187R107	(E)DRN	180L4	4340	712/715
8.0	218100	221	42700	2.0	X	KH	187R107	(E)DRN	180L4	4190	713/715
9.2	190200	193	42700	2.3	X						
11	160100	163	42700	2.8	X						
6.4	274300	278	33700	1.05	X						
7.3	237900	244	33700	1.20	X						
8.3	207400	213	33700	1.35	X						
8.7	202300	206	33700	1.40	X	K	167R107	(E)DRN	180L4	3050	710/715
9.9	174700	180	33700	1.60	X	KH	167R107	(E)DRN	180L4	2970	711/715
11	157700	160	33700	1.80	X						
13	133400	135	33700	2.1	X						
15	116300	118	33700	2.4	X						
11	153900	157	24300	1.05	X	K	157R107	(E)DRN	180L4	2180	703/715
15	120600	122	23800	1.30	X	KF	157R107	(E)DRN	180L4	2360	704/715
17	105100	107	23500	1.50	X	KA	157R107	(E)DRN	180L4	2100	705/715
						KAF	157R107	(E)DRN	180L4	2230	704/715
9.9	190800	179.86	42700	2.3	X						
11	175300	165.21	42700	2.5	X	K	187	(E)DRN	180L4	3960	712
12	153400	144.59	42700	2.9	X	KH	187	(E)DRN	180L4	3810	713
14	137600	129.69	42700	3.2	X						
13	143200	134.99	33700	2.0	X						
16	116500	109.83	33700	2.4	X	K	167	(E)DRN	180L4	2670	710
20	93200	87.86	33700	3.0	X	KH	167	(E)DRN	180L4	2590	711
23	82900	78.14	33700	3.4	X						
15	129800	122.39	23300	1.25	X						
18	106300	100.22	22800	1.50	X						
19	97200	91.65	22600	1.65	X	K	157	(E)DRN	180L4	1800	703
22	84600	79.75	22100	1.90	X	KF	157	(E)DRN	180L4	1980	704
25	74600	70.38	21700	2.1	X	KA	157	(E)DRN	180L4	1720	705
29	64700	61.02	21200	2.5	X	KAF	157	(E)DRN	180L4	1850	704
33	57600	54.29	20700	2.8	X						
38	49600	46.79	20100	3.2	X						
47	40300	38.02	19200	4.0	X						

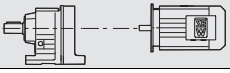

P_m = 30 HP								m		
n_a rpm	T_a lb-in	i ratio	F_{Ra}¹⁾ lb	SEW SF f_B	HazLoc -NA[®]			lbs		
16	116900	110.18	16500	1.00						
20	95400	89.89	16400	1.20	X					
22	87000	81.98	16400	1.30	X					
25	75200	70.95*	16200	1.55	X					
28	66400	62.60	16000	1.75	X					
33	57300	54.07	15700	2.0	X	K	127	(E)DRN 180L4	1290	696
37	50700	47.82	15400	2.3	X	KF	127	(E)DRN 180L4	1380	697
44	42600	40.19	15000	2.7	X	KA	127	(E)DRN 180L4	1220	698
49	38400	36.25	14700	3.0	X	KAF	127	(E)DRN 180L4	1310	697
57	33200	31.37	14300	3.5	X					
64	29300	27.68	13900	3.9	X					
75	25300	23.91	13500	4.5	X					
84	22400	21.15	13200	5.1	X					
27	70500	66.52*	8930	1.00	X					
31	60600	57.17*	9340	1.15	X					
36	52900	49.90	9570	1.30	X					
42	44900	42.33*	9630	1.45	X					
48	39200	37.00*	9540	1.60	X					
54	34600	32.69	9420	1.85	X					
57	33100	31.28*	9380	1.80	X	K	107	(E)DRN 180L4	950	689
61	30700	29.00	9290	2.1	X	KF	107	(E)DRN 180L4	970	690
68	27900	26.32	9170	2.3	X	KA	107	(E)DRN 180L4	890	691
79	23900	22.62	8960	2.6	X	KAF	107	(E)DRN 180L4	940	690
90	20900	19.74	8760	3.0	X					
106	17700	16.75	8500	3.5	X					
122	15500	14.64	8280	3.9	X					
133	14200	13.43	7950	2.7	X					
152	12400	11.73	7740	3.1	X					
179	10500	9.94	7480	3.5	X					
58	32600	30.82	5350	1.15	X					
64	29600	27.91	5380	1.30	X					
72	26200	24.75	5400	1.45	X					
80	23700	22.37	5390	1.60	X	K	97	(E)DRN 180L4	700	682
94	20100	18.96	5340	1.90	X	KF	97	(E)DRN 180L4	740	683
108	17500	16.56	5290	2.2	X	KA	97	(E)DRN 180L4	660	684
129	14600	13.85	5180	2.6	X	KAF	97	(E)DRN 180L4	710	683
149	12700	11.99	5080	2.7	X					
171	11000	10.41	4770	2.3	X					
205	9230	8.71	4650	2.5	X					
236	7990	7.54	4540	2.6	X					
92	20600	19.45	3330	1.00						
102	18400	17.42	3370	1.05	X					
123	15300	14.45	3410	1.20	X	K	87	(E)DRN 180L4	560	675
142	13300	12.56	3410	1.35	X	KF	87	(E)DRN 180L4	580	676
160	11800	11.17	3180	1.10	X	KA	87	(E)DRN 180L4	540	677
178	10600	10.00	3180	1.25	X	KAF	87	(E)DRN 180L4	570	676
215	8800	8.29	3160	1.40	X					
247	7650	7.21	3120	1.50	X					

P_m = 40 HP								m		
n_a rpm	T_a lb-in	i ratio	F_{Ra}¹⁾ lb	SEW SF f_B	HazLoc -NA[®]			lbs		
6.8	344600	261	42700	1.30	X					
8.1	291700	221	42700	1.50	X	K	187R107	(E)DRN 200L4	4580	712/715
9.2	254500	193	42700	1.75	X	KH	187R107	(E)DRN 200L4	4430	713/715
11	214500	163	42700	2.1	X					
8.4	277500	213	33700	1.00	X					
8.7	270600	206	33700	1.05	X					
9.9	234000	180	33700	1.20	X	K	167R107	(E)DRN 200L4	3290	710/715
11	210700	160	33700	1.35	X	KH	167R107	(E)DRN 200L4	3210	711/715
13	178400	135	33700	1.60	X					
15	155600	118	33700	1.80	X					

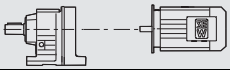

21933480/EN-US - 04/2018

P_m = 40 HP											
n_a rpm	T_a lb-in	i ratio	F_{Ra}¹⁾ lb	SEW SF f _B	HazLoc -NA [®]				m lbs		
17	140600	107	21500	1.15	X	K KF KA KAF	157R107 157R107 157R107 157R107	(E)DRN (E)DRN (E)DRN (E)DRN	200L4 200L4 200L4 200L4	2430 2600 2340 2470	703/715 704/715 705/715 704/715
9.9	254200	179.86	42700	1.75	X						
11	233500	165.21	42700	1.90	X						
12	204300	144.59	42700	2.2	X						
14	183300	129.69	42700	2.4	X	K	187	(E)DRN	200L4	4190	712
16	159100	112.60	42700	2.8	X	KH	187	(E)DRN	200L4	4040	713
17	144400	102.16	42700	3.1	X						
20	124300	88.00	42600	3.6	X						
16	155200	109.83	33700	1.80	X						
20	124100	87.86	33700	2.3	X						
23	110400	78.14	33700	2.6	X	K	167	(E)DRN	200L4	2910	710
26	96200	68.07	33700	2.9	X	KH	167	(E)DRN	200L4	2830	711
29	85800	60.74	33700	3.3	X						
18	141600	100.22	20800	1.10	X						
19	129500	91.65	20800	1.25	X						
22	112700	79.75	20600	1.40	X						
25	99400	70.38	20300	1.60	X	K	157	(E)DRN	200L4	2040	703
29	86200	61.02	20000	1.85	X	KF	157	(E)DRN	200L4	2210	704
33	76700	54.29	19600	2.1	X	KA	157	(E)DRN	200L4	1960	705
38	66100	46.79	19200	2.4	X	KAF	157	(E)DRN	200L4	2090	704
47	53700	38.02	18500	3.0	X						
57	44200	31.30	17800	3.6	X						
25	100200	70.95*	14600	1.15	X						
28	88400	62.60	14600	1.30	X						
33	76400	54.07	14500	1.50	X						
37	67500	47.82	14300	1.70	X	K	127	(E)DRN	200L4	1530	696
44	56800	40.19	14100	2.0	X	KF	127	(E)DRN	200L4	1620	697
49	51200	36.25	13900	2.2	X	KA	127	(E)DRN	200L4	1460	698
57	44300	31.37	13600	2.6	X	KAF	127	(E)DRN	200L4	1550	697
64	39100	27.68	13300	2.9	X						
75	33700	23.91	13000	3.4	X						
42	59800	42.33*	8010	1.10	X						
48	52200	37.00*	8300	1.20	X						
57	44200	31.28*	8510	1.35	X						
62	40900	29.00	8530	1.55	X						
68	37100	26.32	8480	1.70	X						
79	31900	22.62	8370	2.0	X	K	107	(E)DRN	200L4	1190	689
90	27900	19.74	8240	2.3	X	KF	107	(E)DRN	200L4	1210	690
106	23600	16.75	8060	2.6	X	KA	107	(E)DRN	200L4	1130	691
122	20600	14.64	7890	3.0	X	KAF	107	(E)DRN	200L4	1180	690
133	18900	13.43	7540	2.0	X						
152	16500	11.73	7380	2.3	X						
179	14000	9.94	7180	2.6	X						
205	12200	8.69	7000	2.9	X						
72	34900	24.75	4620	1.10	X						
80	31600	22.37	4690	1.20	X						
94	26700	18.96	4750	1.40	X						
108	23400	16.56	4770	1.65	X	K	97	(E)DRN	200L4	940	682
129	19500	13.85	4750	1.95	X	KF	97	(E)DRN	200L4	980	683
149	16900	11.99	4710	2.0	X	KA	97	(E)DRN	200L4	900	684
171	14700	10.41	4370	1.75	X	KAF	97	(E)DRN	200L4	950	683
205	12300	8.71	4320	1.90	X						
237	10600	7.54	4260	2.0	X						

P_m = 50 HP											
n_a rpm	T_a lb-in	i ratio	F_{Ra}¹⁾ lb	SEW SF f _B	HazLoc -NA [®]					m lbs	
6.8	431100	261	42700	1.05	X						
8.1	365100	221	42700	1.20	X	K	187R107	(E)DRN	225S4	4650	712/715
9.2	318600	193	42700	1.40	X	KH	187R107	(E)DRN	225S4	4500	713/715
11	268700	163	42700	1.65	X						
11	263600	160	33700	1.05	X	K	167R107	(E)DRN	225S4	3360	710/715
13	223200	135	33700	1.25	X	KH	167R107	(E)DRN	225S4	3280	711/715
15	194800	118	33700	1.45	X						
9.9	317400	179.86	42700	1.40	X						
11	291500	165.21	42700	1.50	X						
12	255100	144.59	42700	1.75	X	K	187	(E)DRN	225S4	4260	712
14	228800	129.69	42700	1.95	X	KH	187	(E)DRN	225S4	4110	713
16	198700	112.60	42700	2.2	X						
17	180300	102.16	42500	2.5	X						
20	155300	88.00	41300	2.9	X						
16	193800	109.83	33700	1.45	X						
20	155000	87.86	33700	1.85	X						
23	137900	78.14	33700	2.0	X	K	167	(E)DRN	225S4	2980	710
26	120100	68.07	33700	2.4	X	KH	167	(E)DRN	225S4	2890	711
29	107100	60.74	33500	2.6	X						
34	91300	51.77	32400	3.1	X						
19	161700	91.65	19000	1.00							
22	140700	79.75	19000	1.15	X						
25	124200	70.38	18900	1.30	X	K	157	(E)DRN	225S4	2110	703
29	107600	61.02	18800	1.50	X	KF	157	(E)DRN	225S4	2280	704
33	95800	54.29	18600	1.65	X	KA	157	(E)DRN	225S4	2030	705
38	82500	46.79	18300	1.95	X	KAF	157	(E)DRN	225S4	2160	704
47	67100	38.02	17700	2.4	X						
57	55200	31.30	17200	2.9	X						
29	110400	62.60	13100	1.05	X						
33	95400	54.07	13200	1.20	X						
37	84300	47.82	13200	1.35	X						
44	70900	40.19	13200	1.60	X						
49	63900	36.25	13100	1.80	X						
57	55300	31.37	12900	2.1	X	K	127	(E)DRN	225S4	1600	696
64	48800	27.68	12700	2.4	X	KF	127	(E)DRN	225S4	1690	697
75	42100	23.91	12400	2.7	X	KA	127	(E)DRN	225S4	1530	698
84	37300	21.15	12200	3.1	X	KAF	127	(E)DRN	225S4	1620	697
100	31300	17.77	11800	3.7	X						
124	25300	14.35	11400	4.2	X						
140	22500	12.79	10900	3.4	X						
166	18900	10.74	10500	3.7	X						
206	15300	8.68	10000	4.2	X						
48	65200	37.00*	6710	1.00							
57	55200	31.28*	7240	1.10	X						
62	51100	29.00	7420	1.25	X						
68	46400	26.32	7580	1.35	X						
79	39900	22.62	7740	1.60	X						
90	34800	19.74	7720	1.85	X	K	107	(E)DRN	225S4	1260	689
107	29500	16.75	7620	2.1	X	KF	107	(E)DRN	225S4	1280	690
122	25800	14.64	7500	2.4	X	KA	107	(E)DRN	225S4	1200	691
133	23700	13.43	7130	1.60	X	KAF	107	(E)DRN	225S4	1250	690
152	20600	11.73	7020	1.85	X						
180	17500	9.94	6870	2.1	X						
205	15300	8.69	6730	2.4	X						
243	12900	7.35	6540	2.5	X						
94	33400	18.96	4160	1.15	X						
108	29200	16.56	4250	1.30	X	K	97	(E)DRN	225S4	1010	682
129	24400	13.85	4320	1.55	X	KF	97	(E)DRN	225S4	1050	683
149	21100	11.99	4330	1.65	X	KA	97	(E)DRN	225S4	970	684
171	18300	10.41	3980	1.40	X	KAF	97	(E)DRN	225S4	1020	683
205	15300	8.71	3990	1.55	X						
237	13300	7.54	3970	1.60	X						

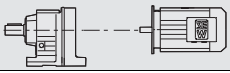

P_m = 60 HP										
n_a rpm	T_a lb-in	i ratio	F_{Ra}¹⁾ lb	SEW SF f _B	HazLoc -NA [®]			m lbs		
8.1	438800	221	42700	1.00	X					
9.2	383000	193	42700	1.15	X	K	187R107	(E)DRN	225M4	4650 712/715
11	323200	163	42700	1.35	X	KH	187R107	(E)DRN	225M4	4500 713/715
13	268300	135	33700	1.05	X	K	167R107	(E)DRN	225M4	3360 710/715
15	234200	118	33700	1.20	X	KH	167R107	(E)DRN	225M4	3280 711/715
9.9	380900	179.86	42700	1.15	X					
11	349800	165.21	42700	1.25	X					
12	306200	144.59	42700	1.45	X					
14	274600	129.69	42500	1.60	X	K	187	(E)DRN	225M4	4260 712
16	238400	112.60	41700	1.85	X	KH	187	(E)DRN	225M4	4110 713
17	216300	102.16	41100	2.0	X					
20	186300	88.00	40100	2.4	X					
24	156600	73.96	38900	2.8	X					
16	232500	109.83	33700	1.20	X					
20	186000	87.86	33700	1.50	X					
23	165400	78.14	33700	1.70	X	K	167	(E)DRN	225M4	2980 710
26	144100	68.07	33100	1.95	X	KH	167	(E)DRN	225M4	2890 711
29	128600	60.74	32500	2.2	X					
34	109600	51.77	31600	2.6	X					
42	90800	42.89	30500	3.1	X					
25	149000	70.38	17500	1.05	X					
29	129200	61.02	17600	1.25	X					
33	114900	54.29	17500	1.40	X					
38	99100	46.79	17300	1.60	X	K	157	(E)DRN	225M4	2110 703
47	80500	38.02	17000	2.0	X	KF	157	(E)DRN	225M4	2280 704
57	66200	31.30	16600	2.4	X	KA	157	(E)DRN	225M4	2030 705
65	58500	27.62	16300	2.7	X	KAF	157	(E)DRN	225M4	2160 704
75	50700	23.95	15900	3.1	X					
84	45100	21.31	15500	3.5	X					
97	38800	18.37	15100	4.1	X					
33	114500	54.07	12000	1.00	X					
37	101200	47.82	12200	1.15	X					
44	85100	40.19	12200	1.35	X					
49	76700	36.25	12200	1.50	X					
57	66400	31.37	12200	1.75	X					
64	58600	27.68	12100	1.95	X	K	127	(E)DRN	225M4	1600 696
75	50600	23.91	11900	2.3	X	KF	127	(E)DRN	225M4	1690 697
84	44700	21.15	11700	2.6	X	KA	127	(E)DRN	225M4	1530 698
100	37600	17.77	11400	3.1	X	KAF	127	(E)DRN	225M4	1620 697
124	30300	14.35	11000	3.5	X					
140	27000	12.79	10500	2.8	X					
166	22700	10.74	10200	3.1	X					
206	18300	8.68	9810	3.5	X					
62	61400	29.00	6140	1.05	X					
68	55700	26.32	6470	1.15	X					
79	47800	22.62	6840	1.35	X					
90	41800	19.74	7050	1.50	X					
107	35400	16.75	7180	1.75	X	K	107	(E)DRN	225M4	1260 689
122	30900	14.64	7120	1.95	X	KF	107	(E)DRN	225M4	1280 690
133	28400	13.43	6710	1.35	X	KA	107	(E)DRN	225M4	1200 691
152	24800	11.73	6660	1.55	X	KAF	107	(E)DRN	225M4	1250 690
180	21000	9.94	6560	1.75	X					
205	18400	8.69	6460	1.95	X					
243	15500	7.35	6310	2.0	X					

P_m = 75 HP



n _a rpm	T _a lb-in	i ratio	F _{Ra} ¹⁾ lb	SEW SF f _B	HazLoc -NA®			m lbs	
12	382700	144.59	40000	1.15	X				
14	343300	129.69	39800	1.30	X				
16	298000	112.60	39400	1.50	X				
17	270400	102.16	39000	1.65	X	K	187	(E)DRN 250ME4	4700 712
20	232900	88.00	38300	1.90	X	KH	187	(E)DRN 250ME4	4550 713
24	195700	73.96	37300	2.3	X				
28	169500	64.04	36500	2.6	X				
20	232500	87.86	32200	1.20	X				
23	206800	78.14	31900	1.35	X				
26	180200	68.07	31400	1.55	X				
29	160700	60.74	31000	1.75	X	K	167	(E)DRN 250ME4	3410 710
34	137000	51.77	30300	2.1	X	KH	167	(E)DRN 250ME4	3330 711
42	113500	42.89	29400	2.5	X				
49	96900	36.61	28600	2.9	X				
29	161500	61.02	15800	1.00					
33	143700	54.29	15900	1.10	X				
38	123800	46.79	16000	1.30	X				
47	100600	38.02	15900	1.60	X				
57	82800	31.30	15600	1.90	X	K	157	(E)DRN 250ME4	2550 703
65	73100	27.62	15400	2.2	X	KF	157	(E)DRN 250ME4	2720 704
75	63400	23.95	15200	2.5	X	KA	157	(E)DRN 250ME4	2460 705
84	56400	21.31	14900	2.8	X	KAF	157	(E)DRN 250ME4	2590 704
97	48600	18.37	14600	3.3	X				
120	39500	14.92	14000	4.0	X				
141	33500	12.65	13600	4.5	X				
44	106300	40.19	10900	1.10	X				
57	83000	31.37	11100	1.40	X				
64	73200	27.68	11100	1.55	X				
75	63200	23.91	11100	1.80	X	K	127	(E)DRN 250ME4	2030 696
84	55900	21.15	11000	2.1	X	KF	127	(E)DRN 250ME4	2120 697
100	47000	17.77	10800	2.5	X	KA	127	(E)DRN 250ME4	1970 698
124	37900	14.35	10600	2.8	X	KAF	127	(E)DRN 250ME4	2050 697
140	33800	12.79	10000	2.2	X				
166	28400	10.74	9810	2.5	X				
206	22900	8.68	9470	2.8	X				

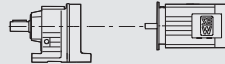

10

P_m = 100 HP

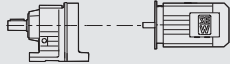

n _a rpm	T _a lb-in	i ratio	F _{Ra} ¹⁾ lb	SEW SF f _B	HazLoc -NA®			m lbs	
16	397400	112.60	35500	1.10	X				
17	360600	102.16	35400	1.25	X				
20	310600	88.00	35200	1.40	X				
24	261000	73.96	34800	1.70	X	K	187	(E)DRN 280S4	4700 712
28	226000	64.04	34200	1.95	X	KH	187	(E)DRN 280S4	4550 713
33	188300	53.36	33400	2.4	X				
39	160600	45.50*	32600	2.8	X				
42	150000	42.51	32200	3.0	X				
23	275800	78.14	28700	1.05	X				
26	240200	68.07	28700	1.20	X				
29	214300	60.74	28500	1.30	X				
34	182700	51.77	28200	1.55	X				
42	151400	42.89	27600	1.85	X	K	167	(E)DRN 280S4	3420 710
49	129200	36.61	27100	2.2	X	KH	167	(E)DRN 280S4	3340 711
55	113800	32.25	26500	2.5	X				
62	101500	28.77	26000	2.8	X				
73	86500	24.52	25300	3.3	X				

21933480/EN-US - 04/2018

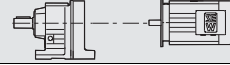

P_m = 100 HP											
n_a rpm	T_a lb-in	i ratio	F_{Ra}¹⁾ lb	SEW SF f _B	HazLoc -NA®					m lbs	
47	134200	38.02	14000	1.20	X						
57	110400	31.30	14100	1.45	X						
65	97500	27.62	14100	1.65	X	K	157	(E)DRN	280S4	2550	703
75	84500	23.95	14000	1.90	X	KF	157	(E)DRN	280S4	2720	704
84	75200	21.31	13900	2.1	X	KA	157	(E)DRN	280S4	2470	705
97	64800	18.37	13700	2.5	X	KAF	157	(E)DRN	280S4	2600	704
120	52600	14.92	13300	3.0	X						
141	44600	12.65	13000	3.4	X						
57	110700	31.37	9350	1.05	X						
64	97600	27.68	9580	1.20	X						
75	84300	23.91	9750	1.35	X	K	127	(E)DRN	280S4	2030	696
84	74600	21.15	9820	1.55	X	KF	127	(E)DRN	280S4	2130	697
100	62700	17.77	9840	1.85	X	KA	127	(E)DRN	280S4	1970	698
124	50600	14.35	9750	2.1	X	KAF	127	(E)DRN	280S4	2050	697
140	45100	12.79	9220	1.65	X						
166	37900	10.74	9110	1.85	X						
206	30600	8.68	8910	2.1	X						

P_m = 125 HP											
n_a rpm	T_a lb-in	i ratio	F_{Ra}¹⁾ lb	SEW SF f _B	HazLoc -NA®					m lbs	
17	451000	102.16	31900	1.00							
20	388500	88.00	32200	1.15	X						
24	326500	73.96	32200	1.35	X						
28	282700	64.04	32000	1.55	X	K	187	(E)DRN	280M4	4960	712
33	235500	53.36	31600	1.90	X	KH	187	(E)DRN	280M4	4810	713
39	200800	45.50*	31000	2.2	X						
42	187600	42.51	30800	2.4	X						
46	170200	38.57	30400	2.6	X						
29	268100	60.74	26000	1.05	X						
34	228500	51.77	26100	1.25	X						
42	189300	42.89	25900	1.50	X						
49	161600	36.61	25600	1.75	X	K	167	(E)DRN	280M4	3670	710
55	142300	32.25	25200	2.0	X	KH	167	(E)DRN	280M4	3590	711
62	127000	28.77	24900	2.2	X						
73	108200	24.52	24300	2.6	X						
88	89600	20.32	23500	3.2	X						
103	76500	17.34	22900	3.7	X						
57	138100	31.30	12600	1.15	X	K	157	(E)DRN	280M4/ERF/NS	2800	703
						KF	157	(E)DRN	280M4/ERF/NS	2980	704
						KA	157	(E)DRN	280M4/ERF/NS	2720	705
						KAF	157	(E)DRN	280M4/ERF/NS	2850	704
65	121900	27.62	12700	1.30	X						
74	105700	23.95	12800	1.50	X	K	157	(E)DRN	280M4	2800	703
84	94000	21.31	12800	1.70	X	KF	157	(E)DRN	280M4	2980	704
97	81000	18.37	12800	1.95	X	KA	157	(E)DRN	280M4	2720	705
120	65800	14.92	12600	2.4	X	KAF	157	(E)DRN	280M4	2850	704
141	55800	12.65	12300	2.7	X						
75	105500	23.91	8400	1.10	X						
84	93300	21.15	8630	1.25	X	K	127	(E)DRN	280M4	2290	696
100	78400	17.77	8840	1.45	X	KF	127	(E)DRN	280M4	2380	697
124	63300	14.35	8940	1.70	X	KA	127	(E)DRN	280M4	2220	698
140	56400	12.79	8400	1.35	X	KAF	127	(E)DRN	280M4	2310	697
166	47400	10.74	8420	1.50	X						
206	38300	8.68	8350	1.65	X						

P_m = 150 HP

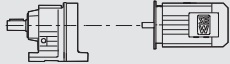

n _a rpm	T _a lb-in	i ratio	F _{Ra} ¹⁾ lb	SEW SF f _B	HazLoc -NA®					m lbs	
24	390400	73.96	29600	1.15	X						
28	338100	64.04	29800	1.30	X	K	187	(E)DRN	315S4	5490	712
34	281700	53.36	29700	1.55	X	KH	187	(E)DRN	315S4	5350	713
39	240200	45.50*	29400	1.85	X						
42	224400	42.51	29300	1.95	X	K	187	(E)DRN	315S4/ERF/NS	5490	712
						KH	187	(E)DRN	315S4/ERF/NS	5350	713
46	203600	38.57	29000	2.2	X	K	187	(E)DRN	315S4	5490	712
54	175400	33.23	28500	2.5	X	KH	187	(E)DRN	315S4	5350	713
64	147400	27.92	27800	3.0	X						
35	273300	51.77	23900	1.05	X	K	167	(E)DRN	315S4	4210	710
42	226400	42.89	24100	1.25	X	KH	167	(E)DRN	315S4	4130	711
49	193200	36.61	24000	1.45	X						
56	170200	32.25	23900	1.65	X	K	167	(E)DRN	315S4/ERF/NS	4210	710
						KH	167	(E)DRN	315S4/ERF/NS	4130	711
62	151900	28.77	23700	1.85	X						
73	129400	24.52	23300	2.2	X	K	167	(E)DRN	315S4	4210	710
88	107200	20.32	22700	2.6	X	KH	167	(E)DRN	315S4	4130	711
103	91500	17.34	22100	3.1	X						
75	126400	23.95	11600	1.25	X	K	157	(E)DRN	315S4/ERF/NS	3340	703
						KF	157	(E)DRN	315S4/ERF/NS	3510	704
						KA	157	(E)DRN	315S4/ERF/NS	3260	705
						KAF	157	(E)DRN	315S4/ERF/NS	3390	704
84	112500	21.31	11800	1.40	X	K	157	(E)DRN	315S4	3340	703
97	96900	18.37	11900	1.65	X	KF	157	(E)DRN	315S4	3510	704
120	78700	14.92	11800	2.0	X	KA	157	(E)DRN	315S4	3260	705
141	66800	12.65	11700	2.2	X	KAF	157	(E)DRN	315S4	3390	704

P_m = 175 HP

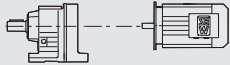

n _a rpm	T _a lb-in	i ratio	F _{Ra} ¹⁾ lb	SEW SF f _B	HazLoc -NA®					m lbs	
28	394200	64.04	27600	1.10	X						
34	328500	53.36	27900	1.35	X	K	187	(E)DRN	315ME4	5770	712
39	280100	45.50*	27900	1.60	X	KH	187	(E)DRN	315ME4	5620	713
42	261700	42.51	27800	1.70	X	K	187	(E)DRN	315ME4/ERF/NS	5770	712
46	237400	38.57	27700	1.85	X	KH	187	(E)DRN	315ME4/ERF/NS	5620	713
54	204500	33.23	27300	2.2	X						
64	171900	27.92	26800	2.6	X						
74	148800	24.18	26300	2.8	X	K	187	(E)DRN	315ME4	5770	712
89	124000	20.15	25600	3.1	X	KH	187	(E)DRN	315ME4	5620	713
104	105700	17.18	24900	3.5	X						
42	264000	42.89	22400	1.05	X	K	167	(E)DRN	315ME4	4490	710
49	225300	36.61	22500	1.25	X	KH	167	(E)DRN	315ME4	4410	711
56	198500	32.25	22600	1.45	X	K	167	(E)DRN	315ME4/ERF/NS	4490	710
62	177100	28.77	22500	1.60	X	KH	167	(E)DRN	315ME4/ERF/NS	4410	711
73	150900	24.52	22300	1.90	X						
88	125000	20.32	21900	2.3	X	K	167	(E)DRN	315ME4	4490	710
103	106700	17.34	21400	2.6	X	KH	167	(E)DRN	315ME4	4410	711
75	147400	23.95	10500	1.10	X	K	157	(E)DRN	315ME4/ERF/NS	3620	703
84	131100	21.31	10700	1.20	X	KF	157	(E)DRN	315ME4/ERF/NS	3790	704
						KA	157	(E)DRN	315ME4/ERF/NS	3540	705
						KAF	157	(E)DRN	315ME4/ERF/NS	3670	704
98	113000	18.37	11000	1.40	X	K	157	(E)DRN	315ME4	3620	703
120	91800	14.92	11100	1.75	X	KF	157	(E)DRN	315ME4	3790	704
142	77900	12.65	11100	1.95	X	KA	157	(E)DRN	315ME4	3540	705
						KAF	157	(E)DRN	315ME4	3670	704

21933480/EN-US - 04/2018



P_m = 200 HP

n _a rpm	T _a lb-in	i ratio	F _{Ra} ¹⁾ lb	SEW SF f _B	HazLoc -NA®				m lbs								
34	376000	53.36	26000	1.20	X	K KH	187	(E)DRN	315L4	5830	712						
39	320600	45.50*	26300	1.40	X												
54	234100	33.23	26200	1.90	X												
64	196700	27.92	25900	2.2	X												
74	170300	24.18	25500	2.5	X												
89	141900	20.15	24900	2.7	X												
104	121000	17.18	24300	3.0	X												
49	258000	36.61	21000	1.10	X							K KH	167	(E)DRN	315L4	4550	710
73	172800	24.52	21300	1.65	X												
88	143100	20.32	21000	2.0	X												
103	122200	17.34	20700	2.3	X												
97	129400	18.37	10100	1.25	X	K KF KA KAF	157	(E)DRN	315L4	3680	703						
120	105100	14.92	10400	1.50	X												
141	89100	12.65	10500	1.70	X												

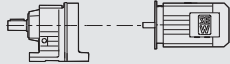

P_m = 225 HP

n _a rpm	T _a lb-in	i ratio	F _{Ra} ¹⁾ lb	SEW SF f _B	HazLoc -NA®				m lbs								
34	423100	53.36	24200	1.05	X	K KH	187	(E)DRN	315L4	5830	712						
39	360700	45.50*	24700	1.25	X												
54	263400	33.23	25000	1.70	X												
64	221300	27.92	24900	2.0	X												
74	191600	24.18	24600	2.2	X												
89	159700	20.15	24200	2.4	X												
104	136200	17.18	23700	2.7	X												
49	290200	36.61	19500	1.00	X							K KH	167	(E)DRN	315L4	4550	710
73	194400	24.52	20300	1.45	X												
88	161000	20.32	20200	1.75	X												
103	137400	17.34	20000	2.1	X												
97	145600	18.37	9150	1.10	X	K KF KA KAF	157	(E)DRN	315L4	3680	703						
120	118300	14.92	9630	1.35	X												
141	100300	12.65	9850	1.50	X												

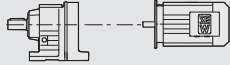

P_m = 250 HP

n _a rpm	T _a lb-in	i ratio	F _{Ra} ¹⁾ lb	SEW SF f _B	HazLoc -NA®				m lbs							
39	399900	45.50*	23200	1.10	X	K KH	187	(E)DRN	315H4	6090	712					
54	292000	33.23	23900	1.50	X	K KH	187	(E)DRN	315H4/ERF/NS	6090	712					
64	245400	27.92	23900	1.80	X	K KH	187	(E)DRN	315H4	6090	712					
74	212500	24.18	23800	2.0	X											
89	177000	20.15	23500	2.2	X											
104	150900	17.18	23100	2.4	X											
73	215500	24.52	19300	1.30	X	K KH	167	(E)DRN	315H4/ERF/NS	4810	710					
88	178500	20.32	19400	1.60	X	K KH	167	(E)DRN	315H4	4810	710					
103	152400	17.34	19300	1.85	X											
120	131100	14.92	8900	1.20	X	K KF KA KAF	157	(E)DRN	315H4	3940	703					
142	111200	12.65	9230	1.35	X											

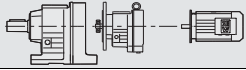

P_m = 275 HP

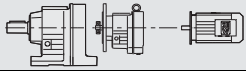

n _a rpm	T _a lb-in	i ratio	F _{Ra} ¹⁾ lb	SEW SF f _B	HazLoc -NA [®]			m lbs			
39	440100	45.50*	21600	1.00	X	K	187	(E)DRN	315H4	6090	712
						KH	187	(E)DRN	315H4	5940	713
54	321400	33.23	22700	1.40	X	K	187	(E)DRN	315H4/ERF/NS	6090	712
						KH	187	(E)DRN	315H4/ERF/NS	5940	713
64	270100	27.92	23000	1.65	X	K	187	(E)DRN	315H4	6090	712
74	233800	24.18	23000	1.80	X						
89	194900	20.15	22800	2.0	X						
104	166100	17.18	22500	2.2	X						
73	237200	24.52	18300	1.20	X	K	167	(E)DRN	315H4/ERF/NS	4810	710
						KH	167	(E)DRN	315H4/ERF/NS	4720	711
88	196500	20.32	18500	1.45	X	K	167	(E)DRN	315H4	4810	710
103	167700	17.34	18600	1.70	X						
120	144300	14.92	8170	1.10	X	K	157	(E)DRN	315H4	3940	703
						KF	157	(E)DRN	315H4	4110	704
142	122400	12.65	8610	1.25	X	KA	157	(E)DRN	315H4	3860	705
						KAF	157	(E)DRN	315H4	3990	704

P_m = 300 HP

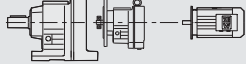

n _a rpm	T _a lb-in	i ratio	F _{Ra} ¹⁾ lb	SEW SF f _B	HazLoc -NA [®]			m lbs			
54	350800	33.23	21600	1.25	X	K	187	(E)DRN	315H4/ERF/NS	6090	712
						KH	187	(E)DRN	315H4/ERF/NS	5940	713
64	294800	27.92	22000	1.50	X	K	187	(E)DRN	315H4	6090	712
74	255300	24.18	22100	1.65	X						
89	212700	20.15	22100	1.85	X						
104	181300	17.18	21900	2.0	X						
73	258900	24.52	17200	1.10	X	K	167	(E)DRN	315H4/ERF/NS	4810	710
						KH	167	(E)DRN	315H4/ERF/NS	4720	711
88	214500	20.32	17700	1.30	X	K	167	(E)DRN	315H4	4810	710
103	183100	17.34	17900	1.55	X						
120	157500	14.92	7440	1.00	X	K	157	(E)DRN	315H4	3940	703
						KF	157	(E)DRN	315H4	4110	704
141	133600	12.65	7990	1.15	X	KA	157	(E)DRN	315H4	3860	705
						KAF	157	(E)DRN	315H4	3990	704

10.4 K.. R.. DRS/DRN.. Selections by torque / low output speed

T_{a max} = 1760 lb-in							m	
n_a rpm	i	F_{Ra}¹⁾ lb				lbs		
0.25	6832	1170						
0.28	5922	1170						
0.31	5491	1170						
0.35	4759	1170						
0.40	4160	1170						
0.46	3645	1170						
0.52	3205	1170	K	37R17	DR	63S4	42 632/714	
0.60	2801	1170	KF	37R17	DR	63S4	47 633/714	
0.68	2454	1170	KA	37R17	DR	63S4	42 634/714	
0.78	2166	1170	KAF	37R17	DR	63S4	46 633/714	
0.89	1891	1170						
1.0	1660	1170						
1.1	1466	1170						
1.3	1288	1170						
1.5	1136	1170						
1.7	996	1170						
1.9	876	1170						
2.2	761	1170						
2.5	671	1170	K	37R17	DR	63S4	42 632/714	
2.9	585	1170	KF	37R17	DR	63S4	47 633/714	
3.3	512	1170	KA	37R17	DR	63S4	41 634/714	
3.7	451	1170	KAF	37R17	DR	63S4	45 633/714	
4.2	396	1170						
4.9	346	1170						
5.6	304	1170						
6.4	267	1170						
7.3	234	1170						
8.3	205	1170	K	37R17	DRS	71S4	47 632/714	
9.4	181	1170	KF	37R17	DRS	71S4	52 633/714	
11	160	1170	KA	37R17	DRS	71S4	47 634/714	
12	136	1170	KAF	37R17	DRS	71S4	51 633/714	
13	127	1170						
15	110	1170						
18	96	1170	K	37R17	DRS	71M4	50 632/714	
			KF	37R17	DRS	71M4	55 633/714	
			KA	37R17	DRS	71M4	50 634/714	
			KAF	37R17	DRS	71M4	53 633/714	

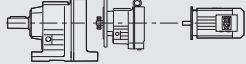

T_{a max} = 2650 lb-in							m	
n_a rpm	i	F_{Ra}¹⁾ lb				lbs		
0.41	4057	1690						
0.50	3370	1690						
0.58	2906	1690						
0.67	2508	1690						
0.71	2367	1690						
0.78	2162	1690	K	39R17	DR	63S4	53 632/714	
0.89	1881	1690	KF	39R17	DR	63S4	57 633/714	
0.95	1762	1690	KA	39R17	DR	63S4	51 634/714	
1.0	1622	1690	KAF	39R17	DR	63S4	55 633/714	
1.1	1494	1690						
1.3	1321	1690						
1.4	1169	1690						
1.5	1093	1690						

T_{a max} = 2650 lb-in

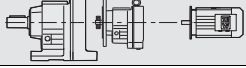

n _a rpm	i	F _{Ra} ¹⁾ lb					m lbs	
1.8	956	1690	K	39R17	DR	63S4	53	632/714
2.1	814	1690	KF	39R17	DR	63S4	56	633/714
2.4	711	1690	KA	39R17	DR	63S4	51	634/714
2.8	605	1690	KAF	39R17	DR	63S4	54	633/714
3.4	504	1690						
3.7	454	1690						
4.3	399	1690						
4.7	365	1690						
5.5	312	1690	K	39R17	DRS	71S4	58	632/714
5.7	299	1690	KF	39R17	DRS	71S4	62	633/714
6.7	254	1690	KA	39R17	DRS	71S4	56	634/714
7.3	234	1690	KAF	39R17	DRS	71S4	60	633/714
8.1	210	1690						
9.0	189	1690						
9.8	174	1690						
11	156	1690	K	39R17	DRS	71M4	61	632/714
12	142	1690	KF	39R17	DRS	71M4	65	633/714
14	117	1690	KA	39R17	DRS	71M4	59	634/714
			KAF	39R17	DRS	71M4	62	633/714

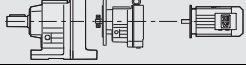

10

T_{a max} = 3530 lb-in

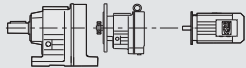

n _a rpm	i	F _{Ra} ¹⁾ lb					m lbs	
0.17	10138	1330						
0.20	8534	1330						
0.22	7662	1330						
0.25	6826	1330						
0.28	5983	1330						
0.33	5159	1330						
0.37	4601	1330	K	47R37	DR	63S4	74	643/714
0.43	3940	1330	KF	47R37	DR	63S4	81	644/714
0.48	3477	1330	KA	47R37	DR	63S4	72	645/714
0.55	3043	1330	KAF	47R37	DR	63S4	78	644/714
0.61	2733	1330						
0.71	2354	1330						
0.81	2063	1330						
0.92	1819	1330						
1.1	1586	1330						
1.2	1388	1330						
1.4	1222	1330	K	47R37	DR	63S4	73	643/714
1.5	1097	1330	KF	47R37	DR	63S4	80	644/714
1.8	945	1330	KA	47R37	DR	63S4	71	645/714
2.0	831	1330	KAF	47R37	DR	63S4	78	644/714
2.3	718	1330						
2.7	639	1330						
3.1	552	1330						
3.4	495	1330	K	47R37	DRS	71S4	79	643/714
4.0	426	1330	KF	47R37	DRS	71S4	86	644/714
4.5	375	1330	KA	47R37	DRS	71S4	77	645/714
5.2	327	1330	KAF	47R37	DRS	71S4	84	644/714
5.9	289	1330						
6.6	256	1330						
7.6	225	1330						

21933480/EN-US - 04/2018

T_{a max} = 3530 lb-in								
n_a rpm	i	F_{Ra}¹⁾ lb					m lbs	
8.5	198	1330	K	47R37	DRS	71M4	82	643/714
9.9	171	1330	KF	47R37	DRS	71M4	89	644/714
11	153	1330	KA	47R37	DRS	71M4	80	645/714
			KAF	47R37	DRS	71M4	86	644/714
13	131	1330	K	47R37	DRN	80M4	92	643/714
16	112	1330	KF	47R37	DRN	80M4	99	644/714
			KA	47R37	DRN	80M4	90	645/714
			KAF	47R37	DRN	80M4	96	644/714
18	99	1330	K	47R37	DRN	90S4	105	643/714
19	94	1330	KF	47R37	DRN	90S4	110	644/714
			KA	47R37	DRN	90S4	105	645/714
			KAF	47R37	DRN	90S4	110	644/714

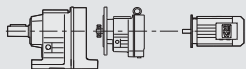

T_{a max} = 4420 lb-in								
n_a rpm	i	F_{Ra}¹⁾ lb					m lbs	
0.24	7137	2020						
0.28	5991	2020						
0.33	5120	2020						
0.42	4034	2020						
0.47	3580	2020						
0.55	3081	2020						
0.61	2773	2020	K	49R37	DR	63S4	95	650/714
0.66	2545	2020	KF	49R37	DR	63S4	99	651/714
0.71	2372	2020	KA	49R37	DR	63S4	89	652/714
0.79	2118	2020	KAF	49R37	DR	63S4	100	651/714
0.87	1941	2020						
0.97	1741	2020						
1.0	1632	2020						
1.1	1521	2020						
1.4	1228	2020						
1.7	1000	2020						
1.2	1424	2020	K	49R37	DR	63S4	94	650/714
1.3	1309	2020	KF	49R37	DR	63S4	98	651/714
1.5	1120	2020	KA	49R37	DR	63S4	88	652/714
1.9	908	2020	KAF	49R37	DR	63S4	99	651/714
2.1	802	2020						
2.4	701	2020						
2.6	645	2020						
2.9	595	2020						
3.1	543	2020	K	49R37	DRS	71S4	100	650/714
3.4	501	2020	KF	49R37	DRS	71S4	105	651/714
3.8	449	2020	KA	49R37	DRS	71S4	94	652/714
4.2	401	2020	KAF	49R37	DRS	71S4	105	651/714
4.7	360	2020						
5.2	330	2020						
5.7	300	2020						
6.2	274	2020	K	49R37	DRS	71M4	105	650/714
6.9	243	2020	KF	49R37	DRS	71M4	105	651/714
7.8	217	2020	KA	49R37	DRS	71M4	97	652/714
8.8	193	2020	KAF	49R37	DRS	71M4	105	651/714
9.9	176	2020	K	49R37	DRN	80M4	115	650/714
12	152	2020	KF	49R37	DRN	80M4	115	651/714
			KA	49R37	DRN	80M4	105	652/714
			KAF	49R37	DRN	80M4	120	651/714
14	125	2020	K	49R37	DRN	90S4	125	650/714
18	99	2020	KF	49R37	DRN	90S4	130	651/714
			KA	49R37	DRN	90S4	120	652/714
			KAF	49R37	DRN	90S4	130	651/714

T_{a max} = 5300 lb-in

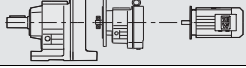

n _a rpm	i	F _{Ra} ¹⁾ lb					m lbs	
0.14	12169	1710						
0.15	11162	1710						
0.18	9503	1710						
0.20	8547	1710						
0.23	7277	1710						
0.26	6478	1710						
0.30	5662	1710	K	57R37	DR	63S4	87	654/714
0.33	5033	1710	KF	57R37	DR	63S4	97	655/714
0.39	4340	1710	KA	57R37	DR	63S4	82	656/714
0.44	3854	1710	KAF	57R37	DR	63S4	95	655/714
0.50	3390	1710						
0.57	2924	1710						
0.65	2593	1710						
0.75	2249	1710						
0.85	1986	1710						
0.96	1743	1710	K	57R37	DR	63S4	86	654/714
1.1	1539	1710	KF	57R37	DR	63S4	97	655/714
1.2	1354	1710	KA	57R37	DR	63S4	82	656/714
1.4	1174	1710	KAF	57R37	DR	63S4	94	655/714
1.6	1036	1710						
1.9	906	1710						
2.1	806	1710						
2.4	699	1710	K	57R37	DRS	71S4	92	654/714
2.8	615	1710	KF	57R37	DRS	71S4	105	655/714
3.1	544	1710	KA	57R37	DRS	71S4	88	656/714
3.6	473	1710	KAF	57R37	DRS	71S4	100	655/714
4.0	421	1710						
4.7	362	1710						
5.3	319	1710	K	57R37	DRS	71M4	95	654/714
6.0	280	1710	KF	57R37	DRS	71M4	105	655/714
6.9	246	1710	KA	57R37	DRS	71M4	90	656/714
7.9	215	1710	KAF	57R37	DRS	71M4	105	655/714
9.1	192	1710	K	57R37	DRN	80M4	105	654/714
11	166	1710	KF	57R37	DRN	80M4	115	655/714
			KA	57R37	DRN	80M4	100	656/714
			KAF	57R37	DRN	80M4	115	655/714
12	145	1710	K	57R37	DRN	90S4	120	654/714
14	129	1710	KF	57R37	DRN	90S4	130	655/714
16	111	1710	KA	57R37	DRN	90S4	115	656/714
			KAF	57R37	DRN	90S4	125	655/714
18	97	1710	K	57R37	DRN	90L4	125	654/714
			KF	57R37	DRN	90L4	135	655/714
			KA	57R37	DRN	90L4	120	656/714
			KAF	57R37	DRN	90L4	135	655/714

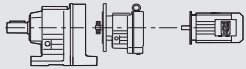

10

T_{a max} = 7250 lb-in

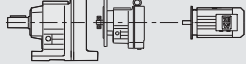

n _a rpm	i	F _{Ra} ¹⁾ lb					m lbs	
0.14	12139	2320						
0.15	11134	2320						
0.18	9479	2320						
0.21	8173	2320						
0.23	7259	2320						
0.26	6462	2320						
0.30	5648	2320	K	67R37	DR	63S4	100	661/714
0.35	4846	2320	KF	67R37	DR	63S4	110	662/714
0.39	4329	2320	KA	67R37	DR	63S4	94	663/714
0.45	3750	2320	KAF	67R37	DR	63S4	105	662/714
0.51	3315	2320						
0.58	2917	2320						
0.66	2532	2320						
0.75	2244	2320						
0.85	1981	2320						

21933480/EN-US - 04/2018

T_{a max} = 7250 lb-in								
n_a rpm	i	F_{Ra}¹⁾ lb					m lbs	
0.97	1739	2320	K	67R37	DR	63S4	99	661/714
1.1	1535	2320	KF	67R37	DR	63S4	110	662/714
1.2	1351	2320	KA	67R37	DR	63S4	93	663/714
			KAF	67R37	DR	63S4	105	662/714
1.4	1171	2320						
1.6	1034	2320						
1.9	903	2320	K	67R37	DRS	71S4	105	661/714
2.1	793	2320	KF	67R37	DRS	71S4	115	662/714
2.4	697	2320	KA	67R37	DRS	71S4	99	663/714
2.8	613	2320	KAF	67R37	DRS	71S4	110	662/714
3.1	542	2320						
3.6	471	2320						
4.0	420	2320	K	67R37	DRS	71M4	110	661/714
4.7	361	2320	KF	67R37	DRS	71M4	120	662/714
5.2	323	2320	KA	67R37	DRS	71M4	100	663/714
			KAF	67R37	DRS	71M4	115	662/714
6.3	279	2320	K	67R37	DRN	80M4	120	661/714
7.1	246	2320	KF	67R37	DRN	80M4	130	662/714
			KA	67R37	DRN	80M4	110	663/714
			KAF	67R37	DRN	80M4	125	662/714
8.1	217	2320	K	67R37	DRN	90S4	130	661/714
9.2	191	2320	KF	67R37	DRN	90S4	145	662/714
11	166	2320	KA	67R37	DRN	90S4	125	663/714
			KAF	67R37	DRN	90S4	135	662/714
12	144	2320	K	67R37	DRN	90L4	140	661/714
14	122	2320	KF	67R37	DRN	90L4	150	662/714
			KA	67R37	DRN	90L4	130	663/714
			KAF	67R37	DRN	90L4	145	662/714

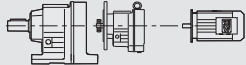

T_{a max} = 13700 lb-in								
n_a rpm	i	F_{Ra}¹⁾ lb					m lbs	
0.11	15310	3460						
0.12	14043	3460						
0.14	11955	3460						
0.16	10217	3460						
0.19	8809	3460						
0.22	7528	3460	K	77R37	DR	63S4	155	668/714
0.25	6606	3460	KF	77R37	DR	63S4	170	669/714
0.29	5774	3460	KA	77R37	DR	63S4	135	670/714
0.33	5089	3460	KAF	77R37	DR	63S4	155	669/714
0.37	4489	3460						
0.42	3961	3460						
0.48	3485	3460						
0.58	2901	3460						
0.62	2717	3460						
0.72	2370	3460	K	77R37	DRS	71S4	160	668/714
			KF	77R37	DRS	71S4	175	669/714
			KA	77R37	DRS	71S4	140	670/714
			KAF	77R37	DRS	71S4	160	669/714
0.83	2050	3460						
0.96	1772	3460						
1.1	1514	3460	K	77R37	DRS	71S4	160	668/714
1.2	1388	3460	KF	77R37	DRS	71S4	175	669/714
1.4	1218	3460	KA	77R37	DRS	71S4	140	670/714
1.6	1053	3460	KAF	77R37	DRS	71S4	160	669/714
1.8	924	3460						
2.1	815	3460	K	77R37	DRS	71M4	160	668/714
2.4	709	3460	KF	77R37	DRS	71M4	180	669/714
2.7	622	3460	KA	77R37	DRS	71M4	145	670/714
3.1	552	3460	KAF	77R37	DRS	71M4	160	669/714

T_{a max} = 13700 lb-in

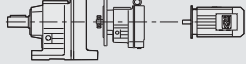

n _a rpm	i	F _{Ra} ¹⁾ lb					m lbs	
3.6 4.1	485 428	3460 3460	K	77R37	DRN	80M4	170	668/714
			KF	77R37	DRN	80M4	190	669/714
			KA	77R37	DRN	80M4	155	670/714
			KAF	77R37	DRN	80M4	170	669/714
4.8 5.4 6.1	367 328 290	3460 3460 3460	K	77R37	DRN	90S4	185	668/714
			KF	77R37	DRN	90S4	200	669/714
			KA	77R37	DRN	90S4	170	670/714
			KAF	77R37	DRN	90S4	185	669/714
7.0 8.0	252 221	3460 3460	K	77R37	DRN	90L4	190	668/714
			KF	77R37	DRN	90L4	210	669/714
			KA	77R37	DRN	90L4	175	670/714
			KAF	77R37	DRN	90L4	190	669/714
9.0 10 11	195 175 154	3460 3460 3460	K	77R37	DRN	100LM4	215	668/714
			KF	77R37	DRN	100LM4	235	669/714
			KA	77R37	DRN	100LM4	200	670/714
			KAF	77R37	DRN	100LM4	215	669/714

10

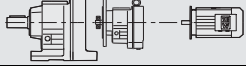

T_{a max} = 23000 lb-in

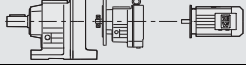

n _a rpm	i	F _{Ra} ¹⁾ lb					m lbs	
12	141	6160	K	87R57	DRN	100L4	325	675/714
			KF	87R57	DRN	100L4	345	677/714
			KA	87R57	DRN	100L4	295	677/714
			KAF	87R57	DRN	100L4	325	676/714

T_{a max} = 23800 lb-in

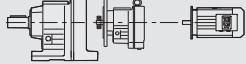

n _a rpm	i	F _{Ra} ¹⁾ lb					m lbs							
0.11	14829	6130	K KF KA KAF	87R57	DR	63S4	260	675/714						
0.13	13168	6130												
0.14	11737	6130												
0.16	10217	6130												
0.19	9073	6130												
0.21	7854	6130												
0.25	6832	6130												
0.28	5930	6130												
0.32	5240	6130												
0.37	4562	6130							K KF KA KAF	87R57	DRS	71S4	265	675/714
0.42	4037	6130												
0.47	3609	6130												
0.55	3107	6130												
0.62	2728	6130												
0.72	2371	6130												
0.81	2088	6130	K KF KA KAF	87R57	DRS	71S4	265	675/714						
0.92	1854	6130												
1.0	1657	6130												
1.2	1415	6130							K KF KA KAF	87R57	DRS	71M4	265	675/714
1.4	1229	6130												
1.6	1078	6130												
1.8	951	6130	K KF KA KAF	87R57	DRN	80M4	280	675/714						
2.1	837	6130												
2.4	726	6130												
2.8	638	6130							K KF KA KAF	87R57	DRN	90S4	290	675/714
3.1	562	6130												

21933480/EN-US - 04/2018

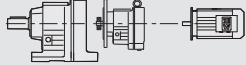

T_{a max} = 23800 lb-in								
n_a rpm	i	F_{Ra}¹⁾ lb					m lbs	
3.7	474	6130	K	87R57	DRN	90L4	300	675/714
4.1	426	6130	KF	87R57	DRN	90L4	320	676/714
4.7	373	6130	KA	87R57	DRN	90L4	270	677/714
			KAF	87R57	DRN	90L4	300	676/714
5.3	330	6130	K	87R57	DRN	100LM4	325	675/714
6.0	294	6130	KF	87R57	DRN	100LM4	345	676/714
7.1	250	6130	KA	87R57	DRN	100LM4	295	677/714
			KAF	87R57	DRN	100LM4	325	676/714
7.5	236	6130	K	87R57	DRN	100L4	325	675/714
8.8	201	6130	KF	87R57	DRN	100L4	345	676/714
9.6	183	6130	KA	87R57	DRN	100L4	295	677/714
11	159	6130	KAF	87R57	DRN	100L4	325	676/714

T_{a max} = 38000 lb-in								
n_a rpm	i	F_{Ra}¹⁾ lb					m lbs	
0.09	18091	8990						
0.10	16666	8990						
0.11	14897	8990	K	97R57	DR	63S4	395	682/714
0.13	13182	8990	KF	97R57	DR	63S4	440	683/714
0.14	11677	8990	KA	97R57	DR	63S4	355	684/714
0.16	10317	8990	KAF	97R57	DR	63S4	410	683/714
0.18	9083	8990						
0.21	8054	8990						
0.24	6970	8990						
0.28	6027	8990						
0.32	5391	8990	K	97R57	DRS	71S4	400	682/714
0.36	4669	8990	KF	97R57	DRS	71S4	445	683/714
0.42	4082	8990	KA	97R57	DRS	71S4	360	684/714
0.47	3583	8990	KAF	97R57	DRS	71S4	415	683/714
0.55	3108	8990						
0.62	2757	8990						
0.70	2419	8990	K	97R57	DRS	71S4	400	682/714
			KF	97R57	DRS	71S4	445	683/714
			KA	97R57	DRS	71S4	360	684/714
			KAF	97R57	DRS	71S4	415	683/714
0.80	2123	8990	K	97R57	DRS	71M4	400	682/714
0.91	1856	8990	KF	97R57	DRS	71M4	445	683/714
1.0	1625	8990	KA	97R57	DRS	71M4	360	684/714
			KAF	97R57	DRS	71M4	415	683/714
1.2	1430	8990	K	97R57	DRN	80M4	410	682/714
1.4	1261	8990	KF	97R57	DRN	80M4	455	683/714
			KA	97R57	DRN	80M4	370	684/714
			KAF	97R57	DRN	80M4	425	683/714
1.6	1102	8990	K	97R57	DRN	90S4	425	682/714
1.8	957	8990	KF	97R57	DRN	90S4	470	683/714
2.1	855	8990	KA	97R57	DRN	90S4	385	684/714
			KAF	97R57	DRN	90S4	440	683/714
2.4	743	8990	K	97R57	DRN	90L4	435	682/714
2.7	652	8990	KF	97R57	DRN	90L4	475	683/714
			KA	97R57	DRN	90L4	395	684/714
			KAF	97R57	DRN	90L4	445	683/714
3.1	573	8990	K	97R57	DRN	100LM4	455	682/714
3.5	504	8990	KF	97R57	DRN	100LM4	500	683/714
4.0	437	8990	KA	97R57	DRN	100LM4	415	684/714
			KAF	97R57	DRN	100LM4	470	683/714
4.6	382	8990	K	97R57	DRN	100L4	455	682/714
5.2	342	8990	KF	97R57	DRN	100L4	500	683/714
5.8	305	8990	KA	97R57	DRN	100L4	415	684/714
6.8	258	8990	KAF	97R57	DRN	100L4	470	683/714
7.6	232	8990						

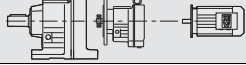

T_{a max} = 38000 lb-in

n _a rpm	i	F _{Ra} ¹⁾ lb					m lbs	
8.9	199	8990	K	97R57	DRN	132S4	500	682/714
			KF	97R57	DRN	132S4	550	683/714
			KA	97R57	DRN	132S4	465	684/714
			KAF	97R57	DRN	132S4	520	683/714

T_{a max} = 63700 lb-in

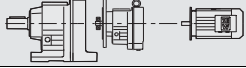

n _a rpm	i	F _{Ra} ¹⁾ lb					m lbs	
10	174	14600	K	107R77	DRN	132L4	840	689/714
			KF	107R77	DRN	132L4	870	690/714
			KA	107R77	DRN	132L4	780	691/714
			KAF	107R77	DRN	132L4	840	690/714
12	154	14400	K	107R77	DRN	160M4	910	689/714
13	140	13800	KF	107R77	DRN	160M4	940	690/714
			KA	107R77	DRN	160M4	850	691/714
			KAF	107R77	DRN	160M4	910	690/714

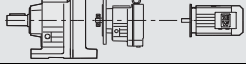

T_{a max} = 70700 lb-in

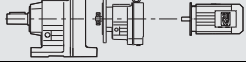

n _a rpm	i	F _{Ra} ¹⁾ lb					m lbs	
0.12	14311	14600						
0.14	12211	14600						
0.16	10677	14600						
0.18	9524	14600	K	107R77	DRS	71S4	690	689/714
0.20	8328	14600	KF	107R77	DRS	71S4	710	690/714
0.23	7270	14600	KA	107R77	DRS	71S4	630	691/714
0.27	6184	14600	KAF	107R77	DRS	71S4	680	690/714
0.30	5662	14600						
0.33	5138	14600						
0.39	4359	14600	K	107R77	DRS	71M4	690	689/714
0.44	3810	14600	KF	107R77	DRS	71M4	720	690/714
0.50	3358	14600	KA	107R77	DRS	71M4	630	691/714
0.57	2977	14600	KAF	107R77	DRS	71M4	680	690/714
0.67	2599	14600	K	107R77	DRN	80M4	700	689/714
0.77	2286	14600	KF	107R77	DRN	80M4	730	690/714
			KA	107R77	DRN	80M4	640	691/714
			KAF	107R77	DRN	80M4	690	690/714
0.91	1939	14600	K	107R77	DRN	90S4	710	689/714
			KF	107R77	DRN	90S4	740	690/714
			KA	107R77	DRN	90S4	650	691/714
			KAF	107R77	DRN	90S4	700	690/714
1.0	1713	14600	K	107R77	DRN	90S4	710	689/714
			KF	107R77	DRN	90S4	740	690/714
1.1	1554	14600	KA	107R77	DRN	90S4	650	691/714
			KAF	107R77	DRN	90S4	700	690/714
1.3	1336	14600	K	107R77	DRN	90L4	720	689/714
			KF	107R77	DRN	90L4	740	690/714
1.5	1166	14600	KA	107R77	DRN	90L4	660	691/714
			KAF	107R77	DRN	90L4	710	690/714
1.7	1030	14600	K	107R77	DRN	100LM4	740	689/714
1.9	904	14600	KF	107R77	DRN	100LM4	770	690/714
2.2	793	14600	KA	107R77	DRN	100LM4	680	691/714
			KAF	107R77	DRN	100LM4	730	690/714
2.5	696	14600	K	107R77	DRN	100L4	740	689/714
2.9	615	14600	KF	107R77	DRN	100L4	770	690/714
3.4	522	14600	KA	107R77	DRN	100L4	680	691/714
3.8	461	14600	KAF	107R77	DRN	100L4	730	690/714
4.3	408	14600	K	107R77	DRN	112M4	760	689/714
			KF	107R77	DRN	112M4	790	690/714
			KA	107R77	DRN	112M4	700	691/714
			KAF	107R77	DRN	112M4	750	690/714

10

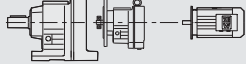

21933480/EN-US - 04/2018

T_{a max} = 70700 lb-in									
n_a rpm	i	F_{Ra}¹⁾ lb					m lbs		
4.9 5.6 6.2	364	14600	K	107R77	DRN	132S4	790	689/714	
	318	14600	KF	107R77	DRN	132S4	810	690/714	
	286	14600	KA	107R77	DRN	132S4	730	691/714	
			KAF	107R77	DRN	132S4	780	690/714	
7.1 8.0	251	14600	K	107R77	DRN	132M4	830	689/714	
	222	14600	KF	107R77	DRN	132M4	850	690/714	
			KA	107R77	DRN	132M4	770	691/714	
			KAF	107R77	DRN	132M4	820	690/714	
9.0	196	14600	K	107R77	DRN	132L4	840	689/714	
			KF	107R77	DRN	132L4	870	690/714	
			KA	107R77	DRN	132L4	780	691/714	
			KAF	107R77	DRN	132L4	840	690/714	

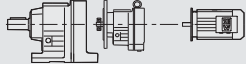

T_{a max} = 106100 lb-in									
n_a rpm	i	F_{Ra}¹⁾ lb					m lbs		
8.9 11	200	17900	K	127R87	DRN	160L4	1350	696/714	
	166	17900	KF	127R87	DRN	160L4	1440	697/714	
			KA	127R87	DRN	160L4	1290	698/714	
			KAF	127R87	DRN	160L4	1370	697/714	
12	147	17900	K	127R87	DRN	180M4	1400	696/714	
			KF	127R87	DRN	180M4	1490	697/714	
			KA	127R87	DRN	180M4	1340	698/714	
			KAF	127R87	DRN	180M4	1420	697/714	

T_{a max} = 115000 lb-in														
n_a rpm	i	F_{Ra}¹⁾ lb					m lbs							
0.10	17550	17800	K KF KA KAF	127R77	DRS	71S4	1040	696/714						
0.11	16006	17800												
0.11	14975	17800												
0.14	12440	17800												
0.16	10915	17800												
0.17	9819	17800												
0.20	8443	17800												
0.23	7482	17800												
0.26	6565	17800							K	127R77	DRS	71M4	1040	696/714
0.29	5804	17800							KF	127R77	DRS	71M4	1140	697/714
0.34	5027	17800							KA	127R77	DRS	71M4	980	698/714
									KAF	127R77	DRS	71M4	1060	697/714
0.40 0.45	4423 3889	17800							K	127R77	DRN	80M4	1050	696/714
			KF	127R77	DRN	80M4	1150	697/714						
			KA	127R77	DRN	80M4	990	698/714						
			KAF	127R77	DRN	80M4	1080	697/714						
0.53 0.59 0.68	3311 3009 2607	17800	K	127R77	DRN	90S4	1070	696/714						
			KF	127R77	DRN	90S4	1160	697/714						
			KA	127R77	DRN	90S4	1000	698/714						
			KAF	127R77	DRN	90S4	1090	697/714						
0.78	2268	17800	K	127R77	DRN	90L4	1070	696/714						
			KF	127R77	DRN	90L4	1170	697/714						
			KA	127R77	DRN	90L4	1010	698/714						
			KAF	127R77	DRN	90L4	1090	697/714						
0.92	1926	17800	K	127R77	DRN	90L4	1070	696/714						
			KF	127R77	DRN	90L4	1160	697/714						
			KA	127R77	DRN	90L4	1010	698/714						
			KAF	127R77	DRN	90L4	1090	697/714						
1.0 1.1 1.3 1.5	1757 1541 1342 1177	17800	K	127R77	DRN	100LM4	1100	696/714						
			KF	127R77	DRN	100LM4	1190	697/714						
			KA	127R77	DRN	100LM4	1030	698/714						
			KAF	127R77	DRN	100LM4	1120	697/714						

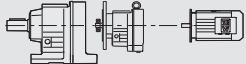

T_{a max} = 115000 lb-in

n _a rpm	i	F _{Ra} ¹⁾ lb					m lbs	
1.7	1025	17800	K	127R77	DRN	100L4	1100	696/714
2.0	899	17800	KF	127R77	DRN	100L4	1190	697/714
2.2	790	17800	KA	127R77	DRN	100L4	1030	698/714
2.5	704	17800	KAF	127R77	DRN	100L4	1120	697/714
2.9	610	17800	K	127R77	DRN	132S4	1140	696/714
3.2	549	17800	KF	127R77	DRN	132S4	1230	697/714
3.7	477	17800	KA	127R77	DRN	132S4	1080	698/714
			KAF	127R77	DRN	132S4	1160	697/714
4.2	418	17800	K	127R77	DRN	132M4	1180	696/714
			KF	127R77	DRN	132M4	1270	697/714
			KA	127R77	DRN	132M4	1120	698/714
			KAF	127R77	DRN	132M4	1200	697/714
3.3	536	17800	K	127R87	DRN	132S4	1190	696/714
			KF	127R87	DRN	132S4	1280	697/714
3.7	473	17800	KA	127R87	DRN	132S4	1120	698/714
			KAF	127R87	DRN	132S4	1210	697/714
4.2	418	17800	K	127R87	DRN	132M4	1230	696/714
			KF	127R87	DRN	132M4	1320	697/714
			KA	127R87	DRN	132M4	1160	698/714
			KAF	127R87	DRN	132M4	1250	697/714
4.8	367	17800						
5.4	330	17800	K	127R87	DRN	132L4	1240	696/714
			KF	127R87	DRN	132L4	1340	697/714
6.2	287	17800	KA	127R87	DRN	132L4	1180	698/714
			KAF	127R87	DRN	132L4	1260	697/714
7.0	253	17800	K	127R87	DRN	160M4	1310	696/714
			KF	127R87	DRN	160M4	1410	697/714
			KA	127R87	DRN	160M4	1250	698/714
			KAF	127R87	DRN	160M4	1340	697/714
8.3	213	17800	K	127R87	DRN	160L4	1350	696/714
			KF	127R87	DRN	160L4	1440	697/714
			KA	127R87	DRN	160L4	1290	698/714
			KAF	127R87	DRN	160L4	1370	697/714

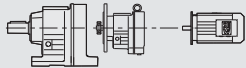

T_{a max} = 159200 lb-in

n _a rpm	i	F _{Ra} ¹⁾ lb					m lbs	
0.10	17679	25200						
0.11	15729	25200						
0.11	14721	25200	K	157R97	DRS	71M4	1740	703/715
0.13	13097	25200	KF	157R97	DRS	71M4	1920	704/715
0.15	11368	25200	KA	157R97	DRS	71M4	1660	705/715
0.17	10114	25200	KAF	157R97	DRS	71M4	1790	704/715
0.19	8718	25200						
0.22	7734	25200						
0.25	6881	25200	K	157R97	DRN	80M4	1750	703/715
			KF	157R97	DRN	80M4	1930	704/715
0.30	5931	25200	KA	157R97	DRN	80M4	1670	705/715
			KAF	157R97	DRN	80M4	1800	704/715
0.35	5074	25200	K	157R97	DRN	90S4	1760	703/715
			KF	157R97	DRN	90S4	1940	704/715
0.39	4514	25200	KA	157R97	DRN	90S4	1680	705/715
0.44	3979	25200	KAF	157R97	DRN	90S4	1810	704/715
0.50	3516	25200	K	157R97	DRN	90L4	1770	703/715
			KF	157R97	DRN	90L4	1940	704/715
0.58	3051	25200	KA	157R97	DRN	90L4	1690	705/715
			KAF	157R97	DRN	90L4	1820	704/715
0.68	2610	25200	K	157R97	DRN	100LM4	1800	703/715
			KF	157R97	DRN	100LM4	1970	704/715
0.76	2322	25200	KA	157R97	DRN	100LM4	1720	705/715
0.87	2029	25200	KAF	157R97	DRN	100LM4	1840	704/715
0.98	1805	25200						

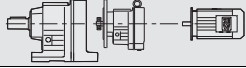

21933480/EN-US - 04/2018

T_{a max} = 159200 lb-in								
n_a rpm	i	F_{Ra}¹⁾ lb					m lbs	
1.1	1659	25200	K	157R97	DRN	100LM4	1790	703/715
			KF	157R97	DRN	100LM4	1960	704/715
			KA	157R97	DRN	100LM4	1710	705/715
			KAF	157R97	DRN	100LM4	1840	704/715
1.3	1365	25200	K	157R97	DRN	100L4	1790	703/715
			KF	157R97	DRN	100L4	1960	704/715
			KA	157R97	DRN	100L4	1710	705/715
			KAF	157R97	DRN	100L4	1840	704/715
1.4	1229	25200	K	157R97	DRN	100L4	1790	703/715
			KF	157R97	DRN	100L4	1960	704/715
			KA	157R97	DRN	100L4	1710	705/715
			KAF	157R97	DRN	100L4	1840	704/715
1.6	1093	25200	K	157R97	DRN	100L4	1790	703/715
			KF	157R97	DRN	100L4	1960	704/715
			KA	157R97	DRN	100L4	1710	705/715
			KAF	157R97	DRN	100L4	1840	704/715
1.9	942	25200	K	157R97	DRN	112M4	1810	703/715
			KF	157R97	DRN	112M4	1980	704/715
			KA	157R97	DRN	112M4	1730	705/715
			KAF	157R97	DRN	112M4	1860	704/715
2.1	854	25200	K	157R97	DRN	132S4	1830	703/715
			KF	157R97	DRN	132S4	2010	704/715
			KA	157R97	DRN	132S4	1750	705/715
			KAF	157R97	DRN	132S4	1880	704/715
2.3	756	25200	K	157R97	DRN	132S4	1830	703/715
			KF	157R97	DRN	132S4	2010	704/715
			KA	157R97	DRN	132S4	1750	705/715
			KAF	157R97	DRN	132S4	1880	704/715
2.7	661	25200	K	157R97	DRN	132M4	1870	703/715
			KF	157R97	DRN	132M4	2050	704/715
			KA	157R97	DRN	132M4	1790	705/715
			KAF	157R97	DRN	132M4	1920	704/715
3.1	567	25200	K	157R97	DRN	132M4	1870	703/715
			KF	157R97	DRN	132M4	2050	704/715
			KA	157R97	DRN	132M4	1790	705/715
			KAF	157R97	DRN	132M4	1920	704/715
3.5	504	25200	K	157R97	DRN	132M4	1870	703/715
			KF	157R97	DRN	132M4	2050	704/715
			KA	157R97	DRN	132M4	1790	705/715
			KAF	157R97	DRN	132M4	1920	704/715
4.1	434	25200	K	157R97	DRN	132L4	1890	703/715
			KF	157R97	DRN	132L4	2060	704/715
			KA	157R97	DRN	132L4	1810	705/715
			KAF	157R97	DRN	132L4	1940	704/715
4.7	379	25200	K	157R97	DRN	160M4	1960	703/715
			KF	157R97	DRN	160M4	2140	704/715
			KA	157R97	DRN	160M4	1880	705/715
			KAF	157R97	DRN	160M4	2010	704/715
5.3	333	25200	K	157R97	DRN	160M4	1960	703/715
			KF	157R97	DRN	160M4	2140	704/715
			KA	157R97	DRN	160M4	1880	705/715
			KAF	157R97	DRN	160M4	2010	704/715
6.1	291	25200	K	157R97	DRN	160L4	2000	703/715
			KF	157R97	DRN	160L4	2170	704/715
			KA	157R97	DRN	160L4	1920	705/715
			KAF	157R97	DRN	160L4	2050	704/715
4.6	385	25200	K	157R107	DRN	160M4	2070	703/715
			KF	157R107	DRN	160M4	2240	704/715
			KA	157R107	DRN	160M4	1990	705/715
			KAF	157R107	DRN	160M4	2120	704/715
5.5	325	25200	K	157R107	DRN	160L4	2100	703/715
			KF	157R107	DRN	160L4	2280	704/715
			KA	157R107	DRN	160L4	2020	705/715
			KAF	157R107	DRN	160L4	2150	704/715
6.0	299	25200	K	157R107	DRN	160L4	2100	703/715
			KF	157R107	DRN	160L4	2280	704/715
			KA	157R107	DRN	160L4	2020	705/715
			KAF	157R107	DRN	160L4	2150	704/715
7.0	253	25200	K	157R107	DRN	160L4	2100	703/715
			KF	157R107	DRN	160L4	2280	704/715
			KA	157R107	DRN	160L4	2020	705/715
			KAF	157R107	DRN	160L4	2150	704/715
7.7	230	25200	K	157R107	DRN	180M4	2150	703/715
			KF	157R107	DRN	180M4	2320	704/715
			KA	157R107	DRN	180M4	2070	705/715
			KAF	157R107	DRN	180M4	2200	704/715
8.4	213	25200	K	157R107	DRN	180M4	2150	703/715
			KF	157R107	DRN	180M4	2320	704/715
			KA	157R107	DRN	180M4	2070	705/715
			KAF	157R107	DRN	180M4	2200	704/715
9.5	187	25200	K	157R107	DRN	180L4	2180	703/715
			KF	157R107	DRN	180L4	2360	704/715
			KA	157R107	DRN	180L4	2100	705/715
			KAF	157R107	DRN	180L4	2230	704/715
11	157	24000	K	157R107	DRN	200L4	2430	703/715
			KF	157R107	DRN	200L4	2600	704/715
			KA	157R107	DRN	200L4	2340	705/715
			KAF	157R107	DRN	200L4	2470	704/715
15	122	21600	K	157R107	DRN	200L4	2430	703/715
			KF	157R107	DRN	200L4	2600	704/715
			KA	157R107	DRN	200L4	2340	705/715
			KAF	157R107	DRN	200L4	2470	704/715
17	107	20400	K	157R107	DRN	225S4	2490	703/715
			KF	157R107	DRN	225S4	2670	704/715
			KA	157R107	DRN	225S4	2410	705/715
			KAF	157R107	DRN	225S4	2540	704/715

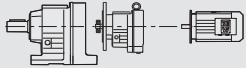

T_{a max} = 283100 lb-in

n _a rpm	i	F _{Ra} ¹⁾ lb					m lbs	
0.09	19723	33700						
0.10	17406	33700	K	167R97	DRS	71M4	2610	710/715
0.11	15000	33700	KH	167R97	DRS	71M4	2530	711/715
0.13	13238	33700						
0.15	11573	33700	K	167R97	DRN	80M4	2620	710/715
0.17	10264	33700	KH	167R97	DRN	80M4	2540	711/715
0.20	8628	33700	K	167R97	DRN	90S4	2630	710/715
0.27	6562	33700	KH	167R97	DRN	90S4	2550	711/715
0.33	5355	33700	K	167R97	DRN	90L4	2640	710/715
0.37	4788	33700	KH	167R97	DRN	90L4	2560	711/715
0.43	4079	33700	K	167R97	DRN	100LM4	2670	710/715
0.52	3376	33700	KH	167R97	DRN	100LM4	2580	711/715
0.64	2755	33700	K	167R97	DRN	100L4	2670	710/715
0.78	2263	33700	KH	167R97	DRN	100L4	2580	711/715
0.81	2182	33700	K	167R97	DRN	100L4	2660	710/715
			KH	167R97	DRN	100L4	2570	711/715
1.0	1704	33700	K	167R97	DRN	112M4	2680	710/715
			KH	167R97	DRN	112M4	2590	711/715
1.3	1408	33700	K	167R97	DRN	132S4	2700	710/715
1.4	1296	33700	KH	167R97	DRN	132S4	2620	711/715
1.6	1101	33700	K	167R97	DRN	132M4	2740	710/715
1.9	944	33700	KH	167R97	DRN	132M4	2660	711/715
2.1	843	33700	K	167R97	DRN	132L4	2760	710/715
2.3	757	33700	KH	167R97	DRN	132L4	2680	711/715
2.8	632	33700	K	167R97	DRN	160M4	2830	710/715
			KH	167R97	DRN	160M4	2750	711/715
3.2	561	33700	K	167R97	DRN	160L4	2870	710/715
3.7	481	33700	KH	167R97	DRN	160L4	2780	711/715
4.2	423	33700	K	167R97	DRN	180M4	2920	710/715
4.8	369	33700	KH	167R97	DRN	180M4	2830	711/715
5.6	318	33700	K	167R107	DRN	180L4	3050	710/715
			KH	167R107	DRN	180L4	2970	711/715
6.4	278	33700	K	167R107	DRN	200L4	3290	710/715
7.3	244	33700	KH	167R107	DRN	200L4	3210	711/715
8.4	213	33700	K	167R107	DRN	225S4	3360	710/715
8.7	206	33700	KH	167R107	DRN	225S4	3280	711/715
9.9	180	33700						
11	160	33700	K	167R107	DRN	225M4	3360	710/715
			KH	167R107	DRN	225M4	3280	711/715
13	135	33700	K	167R107	DRN	250ME4	3790	710/715
15	118	33700	KH	167R107	DRN	250ME4	3710	711/715

T_{a max} = 442300 lb-in

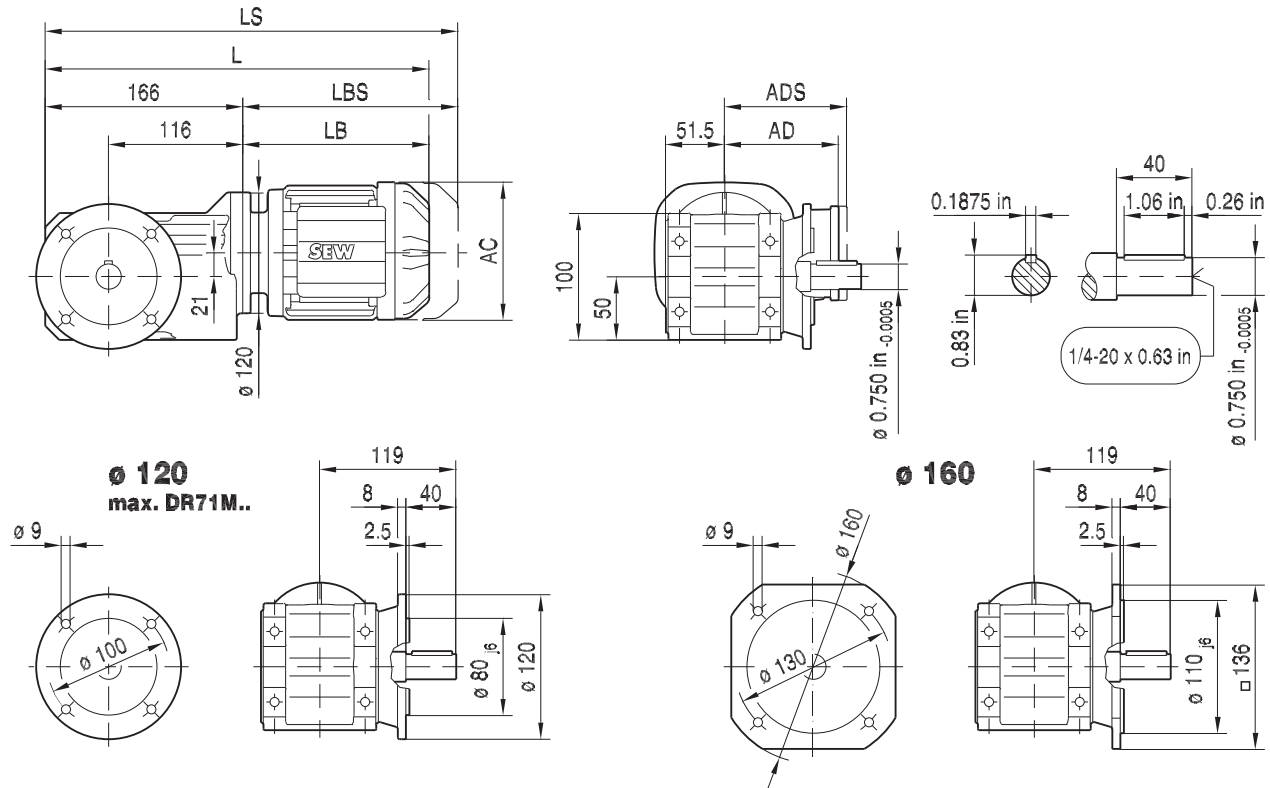
n _a rpm	i	F _{Ra} ¹⁾ lb					m lbs	
0.05	32625	42700						
0.06	27165	42700	K	187R97	DRS	71M4	3900	712/715
0.07	24353	42700	KH	187R97	DRS	71M4	3750	713/715
0.09	19144	42700	K	187R97	DRN	80M4	3900	712/715
0.10	16978	42700	KH	187R97	DRN	80M4	3760	713/715
0.12	14272	42700						
0.13	13116	42700	K	187R97	DRN	90S4	3920	712/715
0.15	11647	42700	KH	187R97	DRN	90S4	3770	713/715
0.17	10413	42700						
0.19	9363	42700						
0.22	8126	42700	K	187R97	DRN	90L4	3920	712/715
0.24	7343	42700	KH	187R97	DRN	90L4	3780	713/715

21933480/EN-US - 04/2018

T_{a max} = 442300 lb-in								
n_a rpm	i	F_{Ra}¹⁾ lb					m lbs	
0.26	6747	42700						
0.29	5991	42700	K	187R97	DRN	100LM4	3950	712/715
0.33	5358	42700	KH	187R97	DRN	100LM4	3800	713/715
0.37	4817	42700						
0.40	4370	42700	K	187R97	DRN	100L4	3950	712/715
			KH	187R97	DRN	100L4	3800	713/715
0.63	2818	42700	K	187R97	DRN	112M4	3970	712/715
			KH	187R97	DRN	112M4	3820	713/715
0.49	3609	42700	K	187R97	DRN	100L4	3940	712/715
0.57	3062	42700	KH	187R97	DRN	100L4	3790	713/715
0.70	2519	42700						
0.78	2268	42700	K	187R97	DRN	132S4	3990	712/715
0.86	2054	42700	KH	187R97	DRN	132S4	3840	713/715
0.97	1821	42700						
1.1	1605	42700	K	187R97	DRN	132M4	4030	712/715
1.3	1395	42700	KH	187R97	DRN	132M4	3880	713/715
1.5	1196	42700	K	187R97	DRN	132L4	4040	712/715
			KH	187R97	DRN	132L4	3900	713/715
1.7	1046	42700	K	187R97	DRN	160M4	4120	712/715
1.9	945	42700	KH	187R97	DRN	160M4	3970	713/715
2.4	738	42700	K	187R97	DRN	160L4	4150	712/715
			KH	187R97	DRN	160L4	4000	713/715
2.9	621	42700	K	187R97	DRN	180M4	4200	712/715
			KH	187R97	DRN	180M4	4050	713/715
3.4	527	42700	K	187R97	DRN	180L4	4230	712/715
			KH	187R97	DRN	180L4	4090	713/715
2.1	835	42700	K	187R107	DRN	160L4	4250	712/715
2.4	729	42700	KH	187R107	DRN	160L4	4110	713/715
2.9	622	42700	K	187R107	DRN	180M4	4300	712/715
			KH	187R107	DRN	180M4	4150	713/715
3.4	520	42700	K	187R107	DRN	180L4	4340	712/715
3.9	454	42700	KH	187R107	DRN	180L4	4190	713/715
5.0	355	42700	K	187R107	DRN	200L4	4580	712/715
			KH	187R107	DRN	200L4	4430	713/715
6.8	261	42700	K	187R107	DRN	225M4	4650	712/715
			KH	187R107	DRN	225M4	4500	713/715
8.1	221	42700	K	187R107	DRN	250ME4	5080	712/715
9.2	193	42700	KH	187R107	DRN	250ME4	4930	713/715

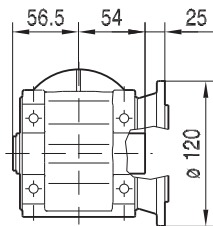
33 296 00 16

KF19B..

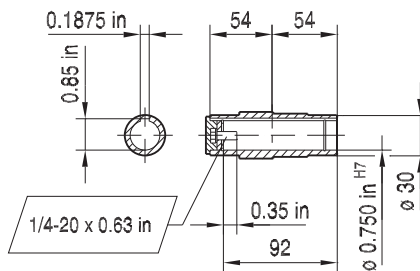
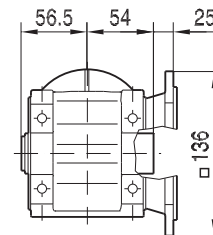


KAF19B..

120
max. DR71M..



160



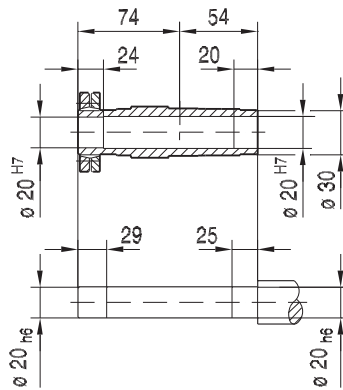
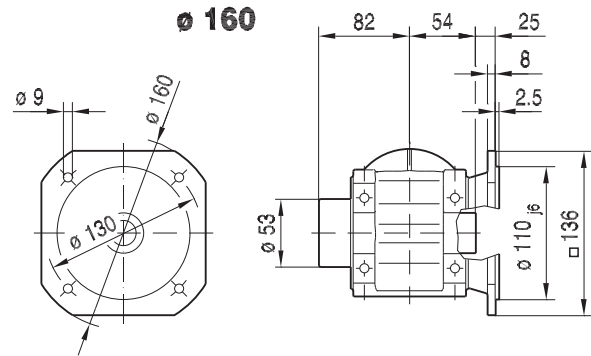
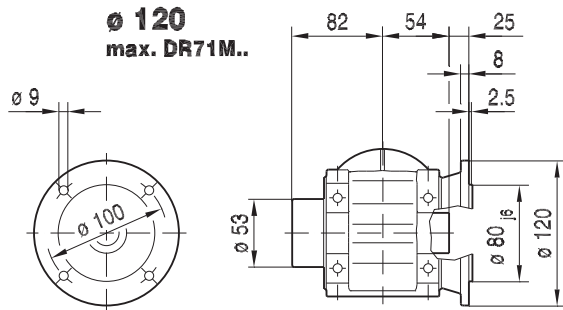
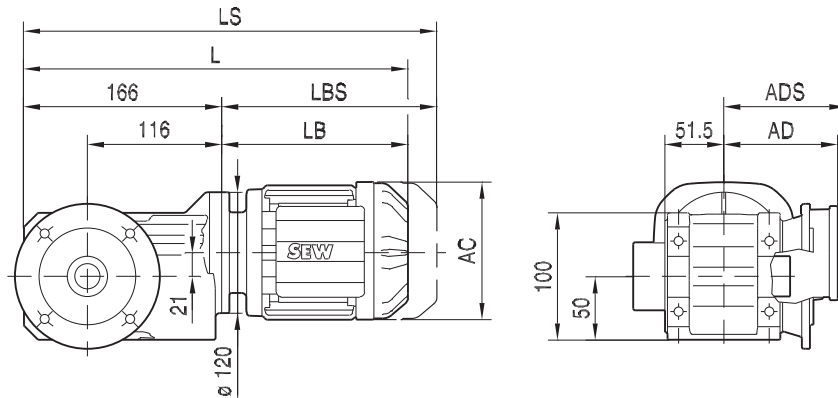
(→ 163)	DR63	DRS71S	DRS71M	DRN80M	DRN80MS	DRN90S		
AC	132	139	139	156	156	179		
AD	105	119	119	128	128	140		
ADS	105	129	129	139	139	150		
L	357	368	393	448	420	449		
LS	412	436	461	529	501	543		
LB	191	202	227	282	254	283		
LBS	246	270	295	363	335	377		

Dimensions in mm unless noted as inch. For all available output shaft diameters, see page 716. For tolerances, see page 163.

221933480/EN-US - 04/2018

33 297 00 16

KHF19B..



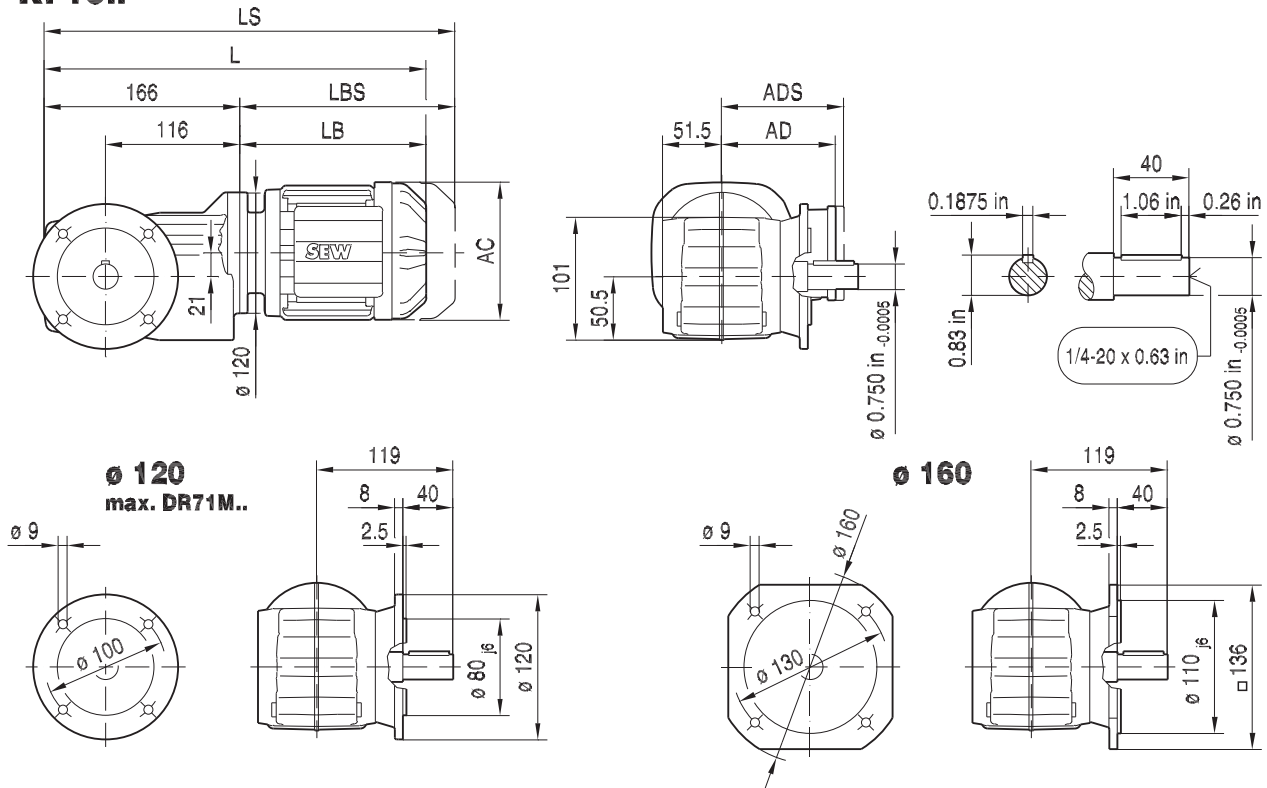
(→ 163)	DR63	DRS71S	DRS71M	DRN80M	DRN80MS	DRN90S		
AC	132	139	139	156	156	179		
AD	105	119	119	128	128	140		
ADS	105	129	129	139	139	150		
L	357	368	393	448	420	449		
LS	412	436	461	529	501	543		
LB	191	202	227	282	254	283		
LBS	246	270	295	363	335	377		

Dimensions in mm unless noted as inch. For tolerances, see page 163.

21933480/EN-US - 04/2018

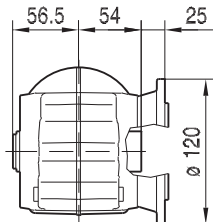
33 298 00 16

KF19..

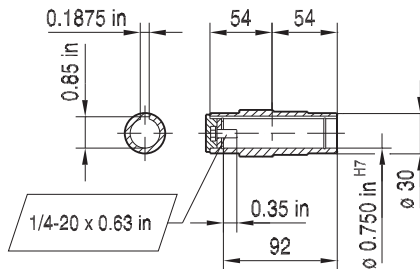
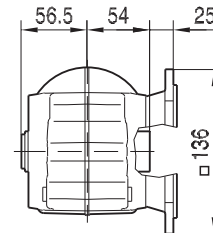


KAF19..

$\phi 120$
max. DR71M..



$\phi 160$



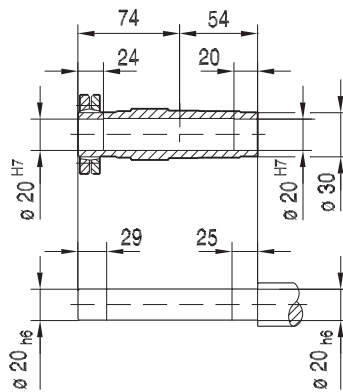
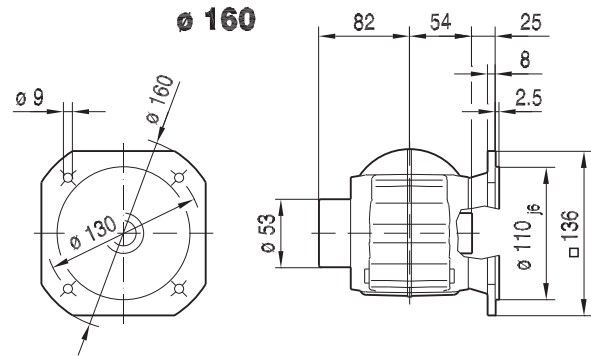
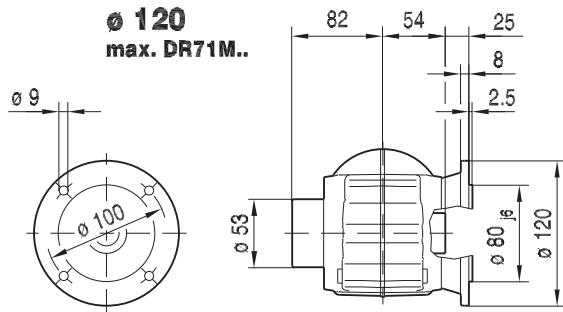
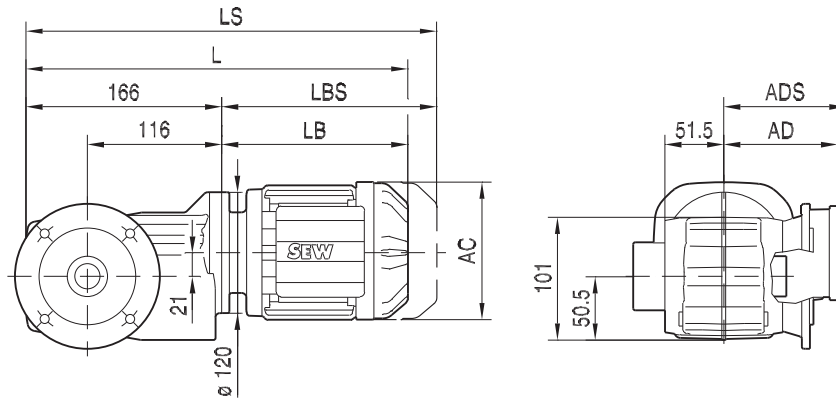
(→ 163)	DR63	DRS71S	DRS71M	DRN80M	DRN80MS	DRN90S		
AC	132	139	139	156	156	179		
AD	105	119	119	128	128	140		
ADS	105	129	129	139	139	150		
L	357	368	393	448	420	449		
LS	412	436	461	529	501	543		
LB	191	202	227	282	254	283		
LBS	246	270	295	363	335	377		

Dimensions in mm unless noted as inch. For all available output shaft diameters, see page 716. For tolerances, see page 163.

221933480/EN-US - 04/2018

33 299 00 16

KHF19..

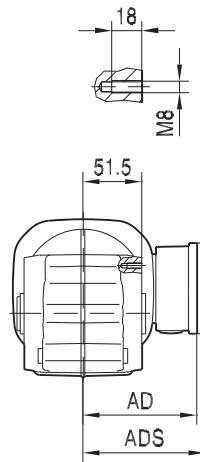
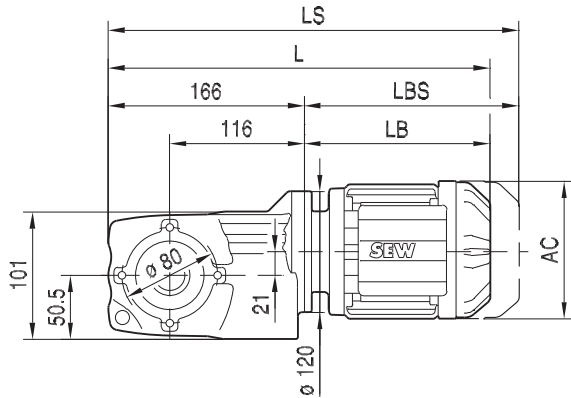


(→ 163)	DR63	DRS71S	DRS71M	DRN80M	DRN80MS	DRN90S		
AC	132	139	139	156	156	179		
AD	105	119	119	128	128	140		
ADS	105	129	129	139	139	150		
L	357	368	393	448	420	449		
LS	412	436	461	529	501	543		
LB	191	202	227	282	254	283		
LBS	246	270	295	363	335	377		

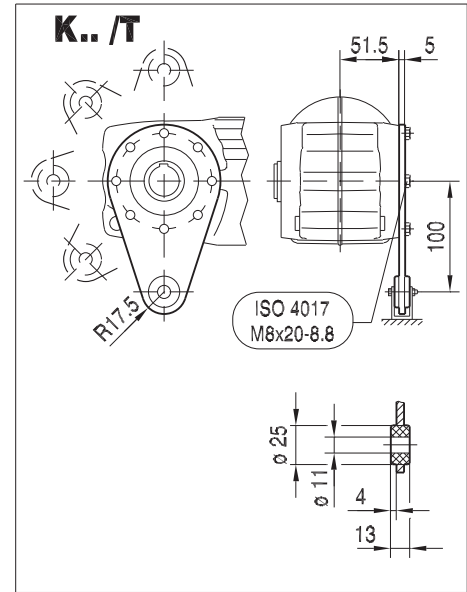
Dimensions in mm unless noted as inch. For tolerances, see page 163.

21933480/EN-US - 04/2018

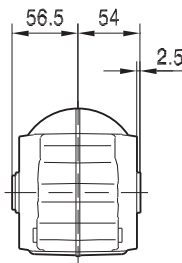
KA19..



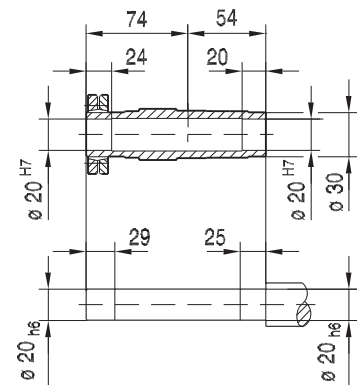
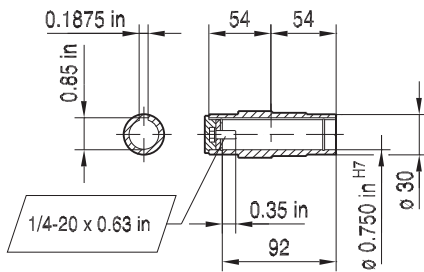
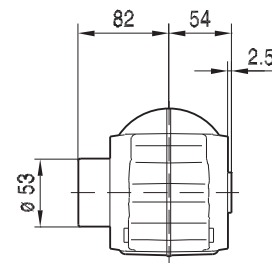
33 300 00 16



KA19..



KH19..



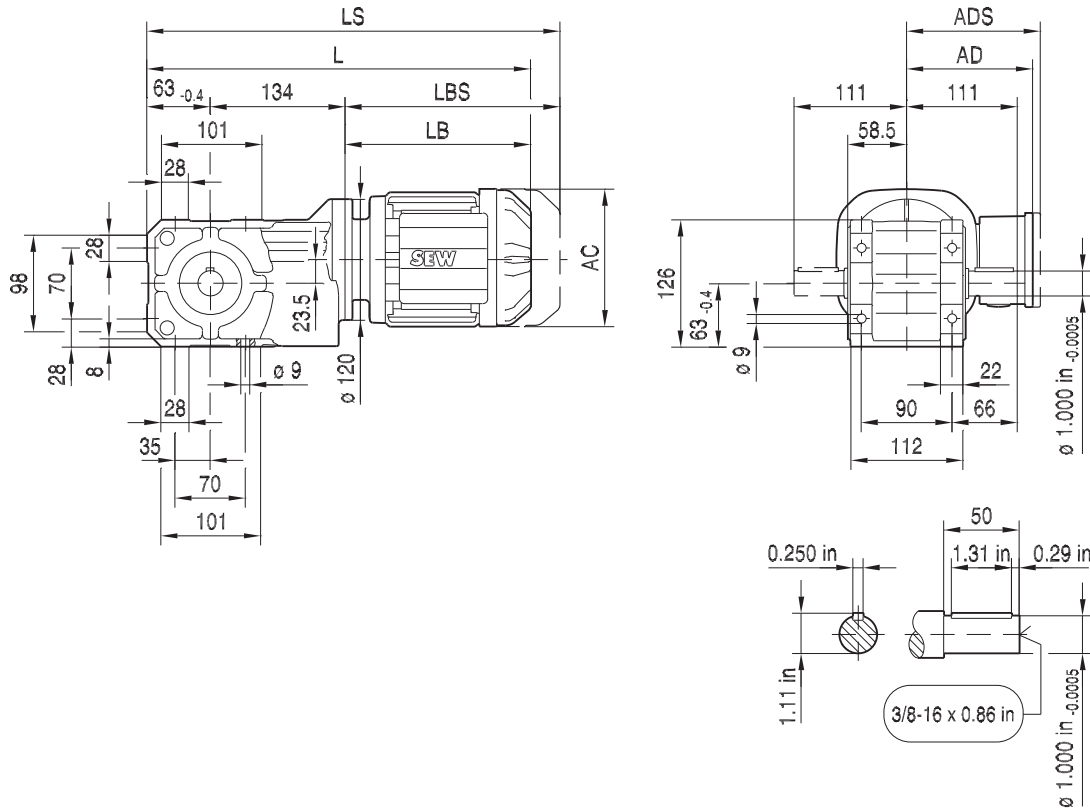
(→ 163)	DR63	DRS71S	DRS71M	DRN80M	DRN80MS	DRN90S		
AC	132	139	139	156	156	179		
AD	105	119	119	128	128	140		
ADS	105	129	129	139	139	150		
L	357	368	393	448	420	449		
LS	412	436	461	529	501	543		
LB	191	202	227	282	254	283		
LBS	246	270	295	363	335	377		

Dimensions in mm unless noted as inch. For all available output shaft diameters, see page 718. For tolerances, see page 163.

221933480/EN-US - 04/2018

K29..

33 301 00 16



10

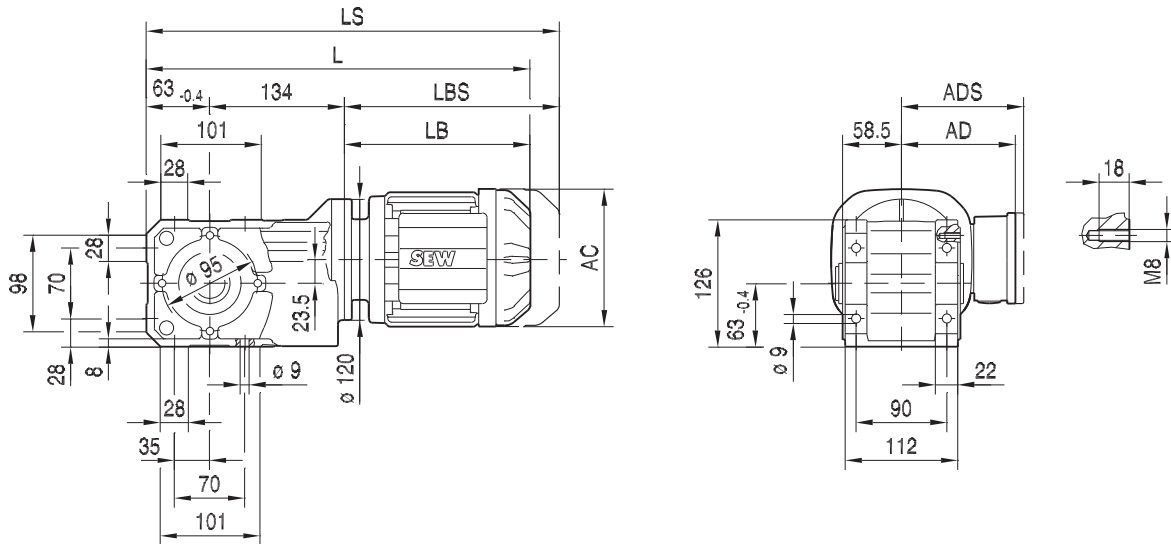
21933480/EN-US - 04/2018

(→ 163)	DR63	DRS71S	DRS71M	DRN80M	DRN80MS	DRN90S	DRN90L
AC	132	139	139	156	156	179	179
AD	105	119	119	128	128	140	140
ADS	105	129	129	139	139	150	150
L	388	399	424	479	451	480	512
LS	443	467	492	560	532	574	606
LB	191	202	227	282	254	283	315
LBS	246	270	295	363	335	377	409

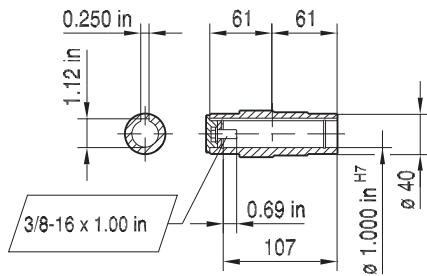
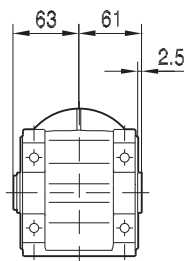
Dimensions in mm unless noted as inch. For all available output shaft diameters, see page 716. For tolerances, see page 163.

33 302 00 16

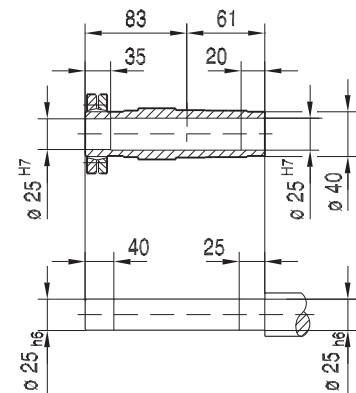
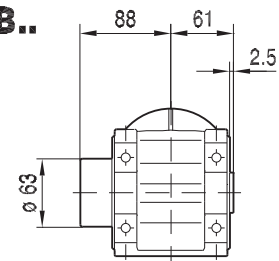
KA29B..



KA29B..



KH29B..



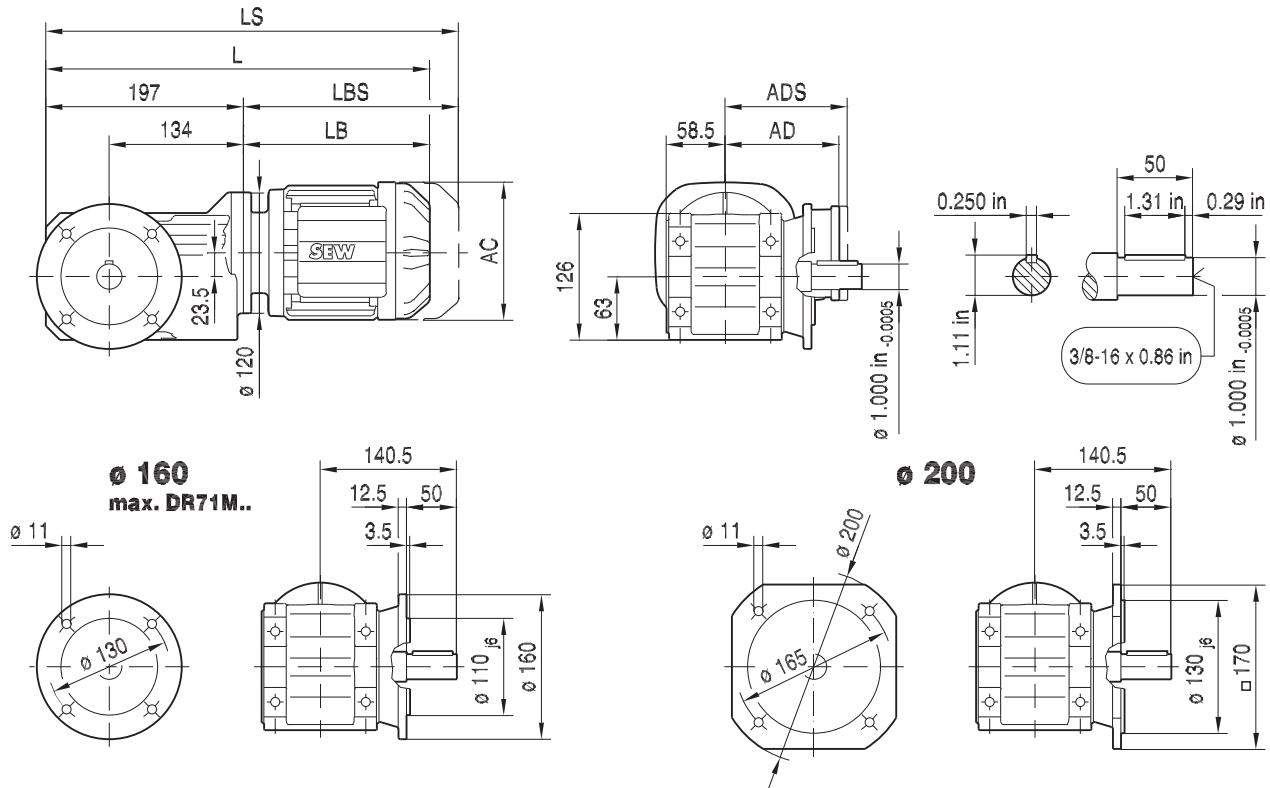
(→ 163)	DR63	DRS71S	DRS71M	DRN80M	DRN80MS	DRN90S	DRN90L	
AC	132	139	139	156	156	179	179	
AD	105	119	119	128	128	140	140	
ADS	105	129	129	139	139	150	150	
L	388	399	424	479	451	480	512	
LS	443	467	492	560	532	574	606	
LB	191	202	227	282	254	283	315	
LBS	246	270	295	363	335	377	409	

Dimensions in mm unless noted as inch. For all available output shaft diameters, see page 718. For tolerances, see page 163.

221933480/EN-US - 04/2018

KF29B..

33 303 00 16

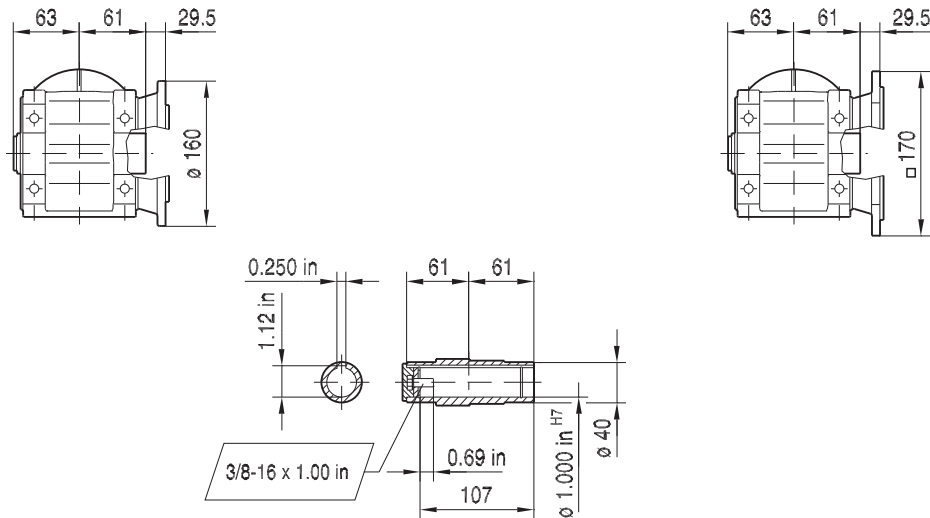


10

KAF29B..

160
max. DR71M..

200

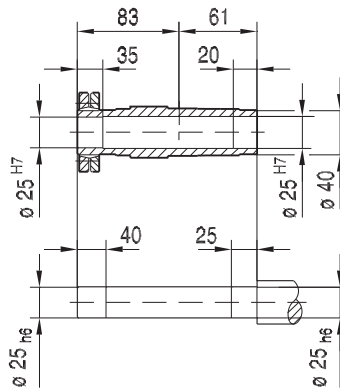
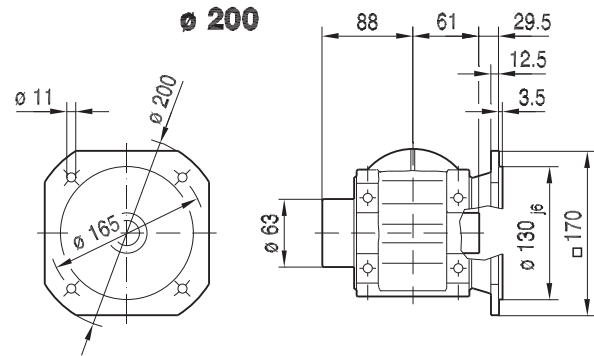
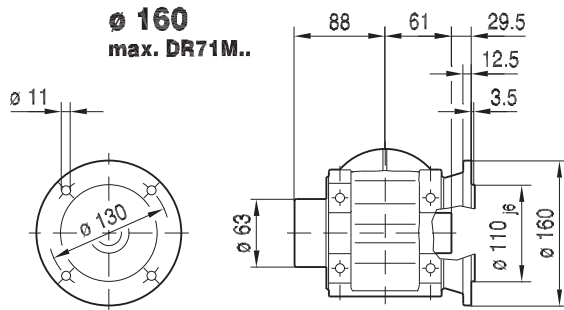
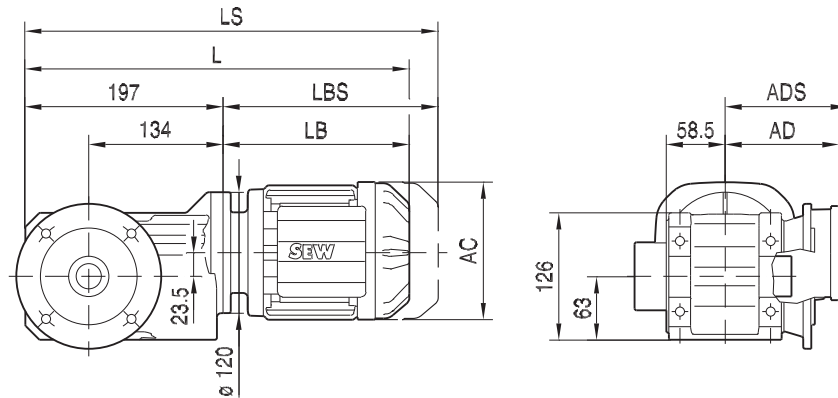


21933480/EN-US - 04/2018

(→ 163)	DR63	DRS71S	DRS71M	DRN80M	DRN80MS	DRN90S	DRN90L
AC	132	139	139	156	156	179	179
AD	105	119	119	128	128	140	140
ADS	105	129	129	139	139	150	150
L	388	399	424	479	451	480	512
LS	443	467	492	560	532	574	606
LB	191	202	227	282	254	283	315
LBS	246	270	295	363	335	377	409

Dimensions in mm unless noted as inch. For all available output shaft diameters, see page 716. For tolerances, see page 163.

KHF29B..

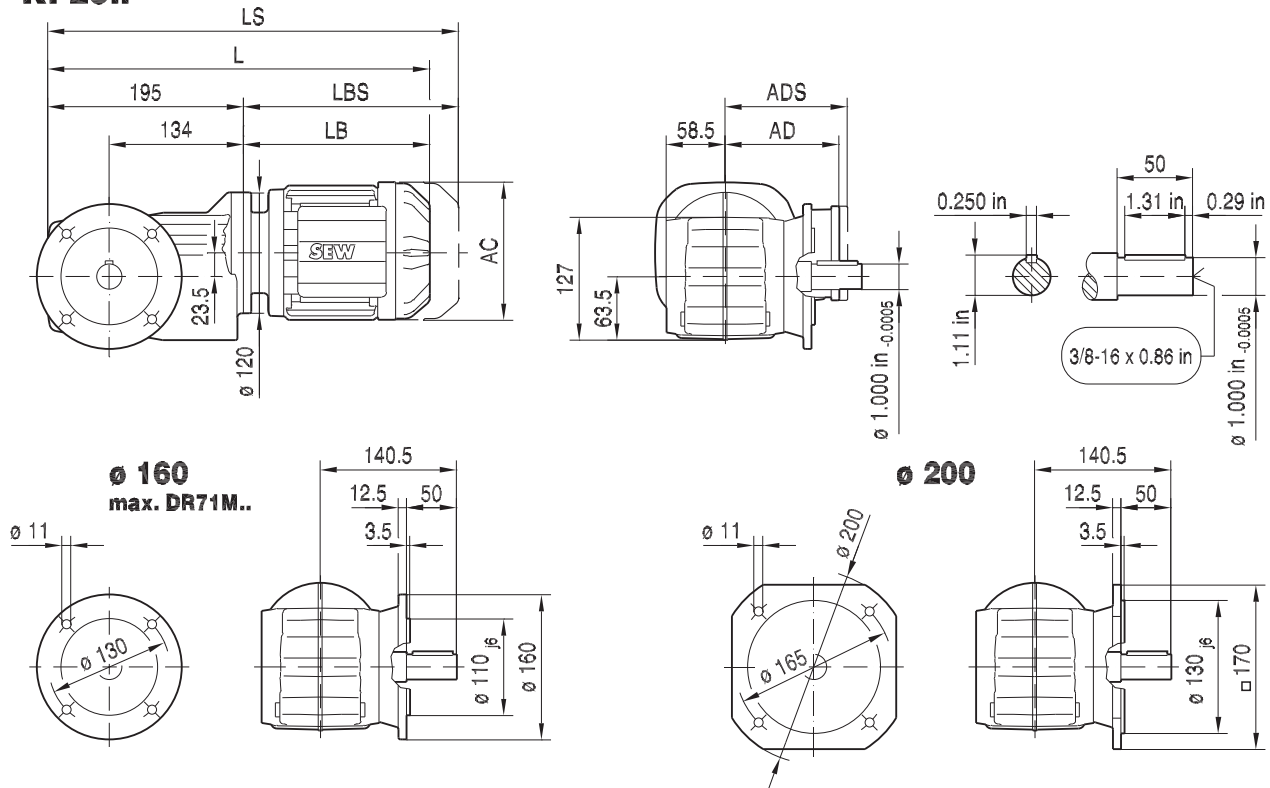


(→ 163)	DR63	DRS71S	DRS71M	DRN80M	DRN80MS	DRN90S	DRN90L	
AC	132	139	139	156	156	179	179	
AD	105	119	119	128	128	140	140	
ADS	105	129	129	139	139	150	150	
L	388	399	424	479	451	480	512	
LS	443	467	492	560	532	574	606	
LB	191	202	227	282	254	283	315	
LBS	246	270	295	363	335	377	409	

Dimensions in mm unless noted as inch. For tolerances, see page 163.

33 305 00 16

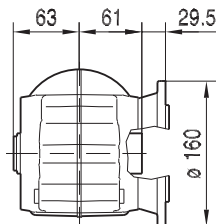
KF29..



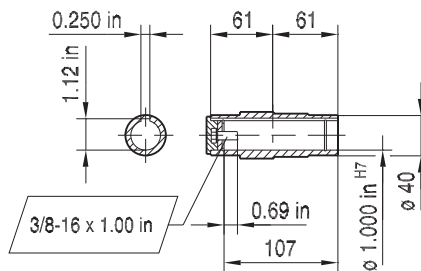
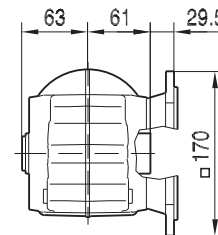
10

KAF29..

$\phi 160$
max. DR71M..



$\phi 200$

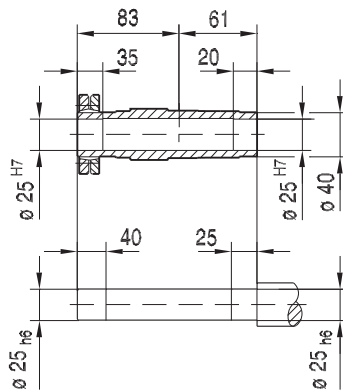
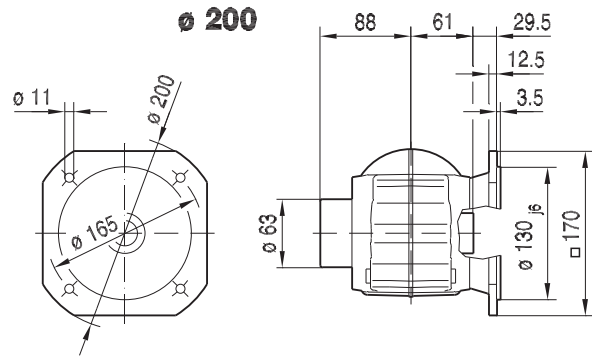
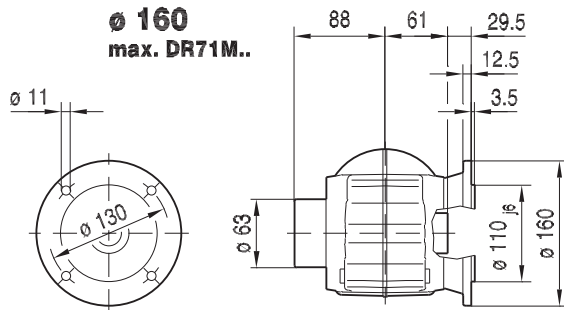
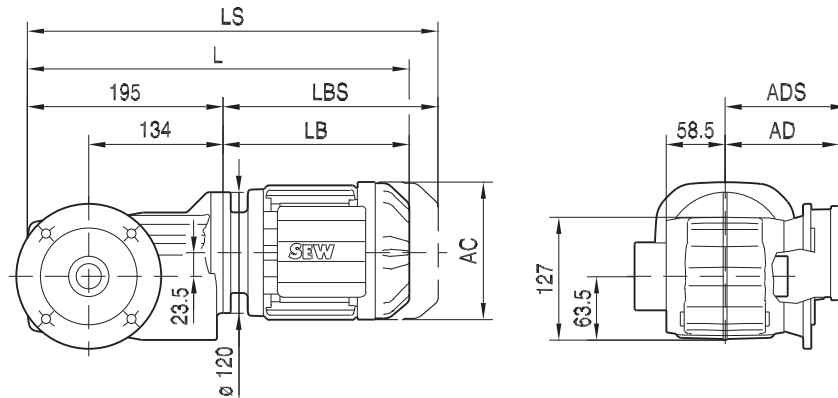


21933480/EN-US - 04/2018

(→ 163)	DR63	DRS71S	DRS71M	DRN80M	DRN80MS	DRN90S	DRN90L	
AC	132	139	139	156	156	179	179	
AD	105	119	119	128	128	140	140	
ADS	105	129	129	139	139	150	150	
L	386	397	422	477	449	478	510	
LS	441	465	490	558	531	572	604	
LB	191	202	227	282	254	283	315	
LBS	246	270	295	363	335	377	409	

Dimensions in mm unless noted as inch. For all available output shaft diameters, see page 716. For tolerances, see page 163.

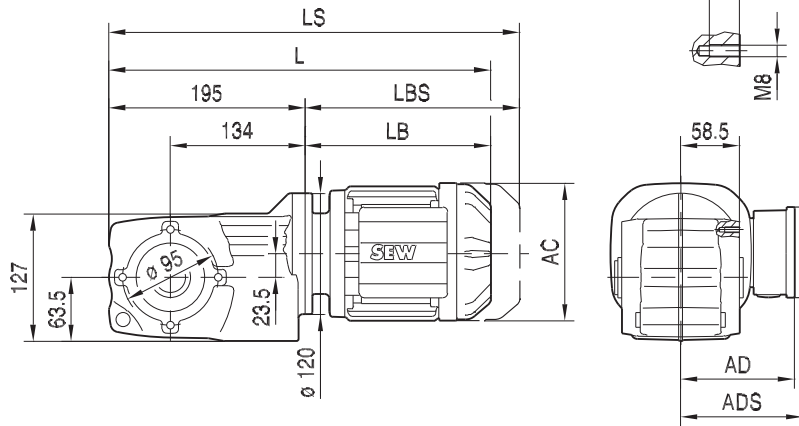
KHF29..



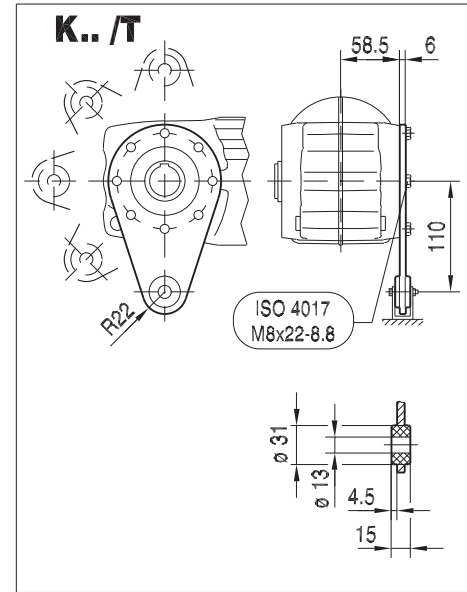
(→ 163)	DR63	DRS71S	DRS71M	DRN80M	DRN80MS	DRN90S	DRN90L	
AC	132	139	139	156	156	179	179	
AD	105	119	119	128	128	140	140	
ADS	105	129	129	139	139	150	150	
L	386	397	422	477	449	478	510	
LS	441	465	490	558	531	572	604	
LB	191	202	227	282	254	283	315	
LBS	246	270	295	363	335	377	409	

Dimensions in mm unless noted as inch. For tolerances, see page 163.

KA29..

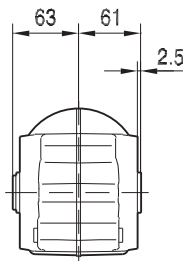


33 307 00 16

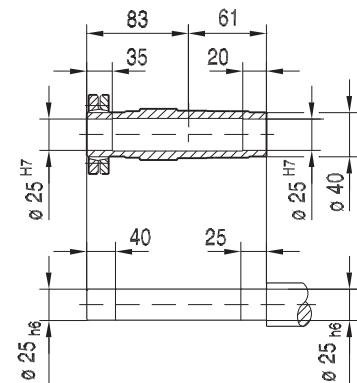
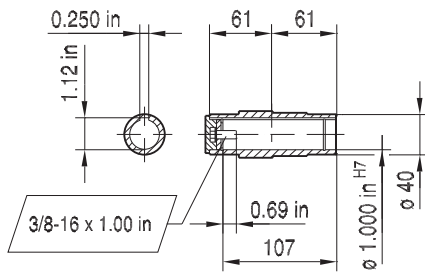
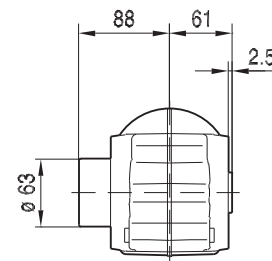


10

KA29..



KH29..

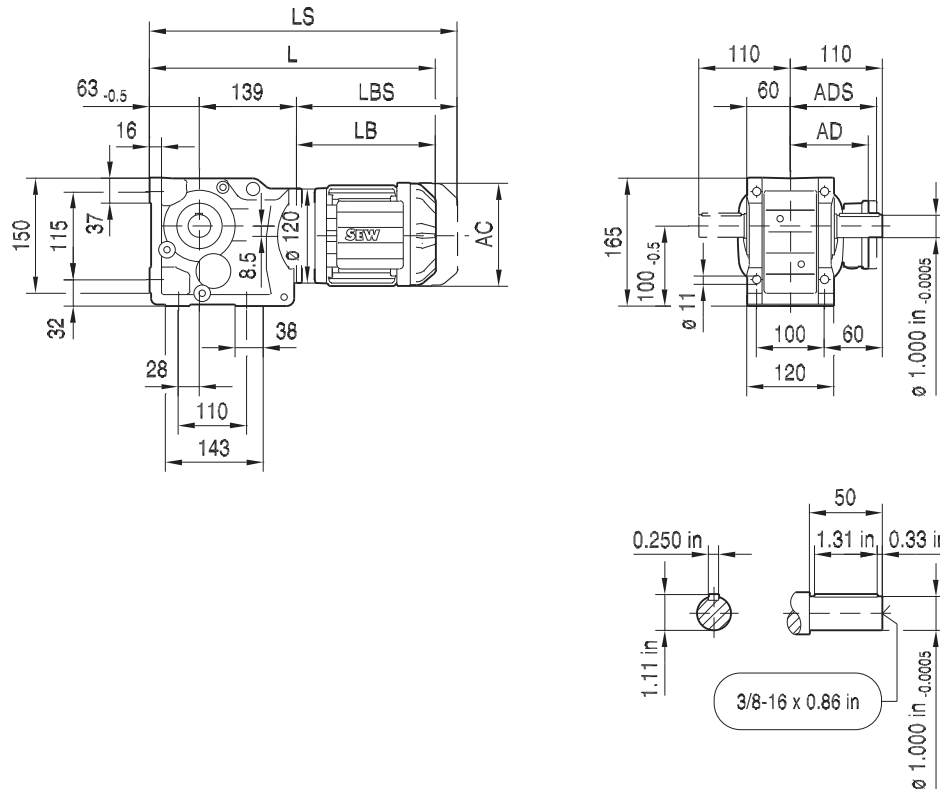


(→ 163)	DR63	DRS71S	DRS71M	DRN80M	DRN90S	DRN90L		
AC	132	139	139	156	179	179		
AD	105	119	119	128	140	140		
ADS	105	129	129	139	150	150		
L	386	397	422	477	478	510		
LS	441	465	490	558	572	604		
LB	191	202	227	282	283	315		
LBS	246	270	295	363	377	409		

Dimensions in mm unless noted as inch. For all available output shaft diameters, see page 718. For tolerances, see page 163.

21933480/EN-US - 04/2018

K37..

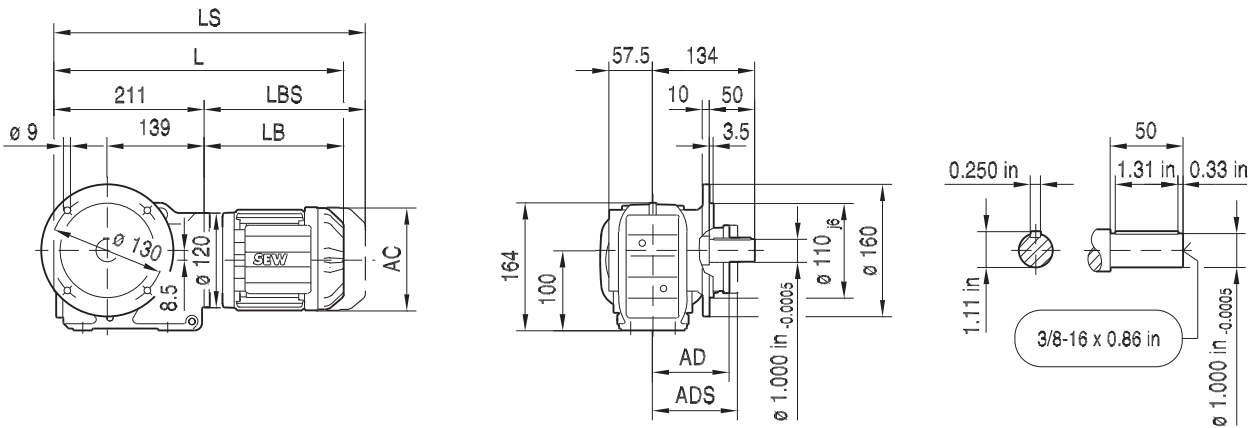


(→ 163)	DR63	DRS71S	DRS71M	DRN80MS	DRN90S	DRN90L	DRN100L/LM	
AC	132	139	139	156	179	179	197	
AD	105	119	119	128	140	140	157	
ADS	105	129	129	139	150	150	158	
L	393	404	429	456	485	517	566	
LS	448	472	497	537	579	611	660	
LB	191	202	227	254	283	315	364	
LBS	246	270	295	335	377	409	458	

Dimensions in mm unless noted as inch. For all available output shaft diameters, see page 716. For tolerances, see page 163.

33 290 00 16

KF37..

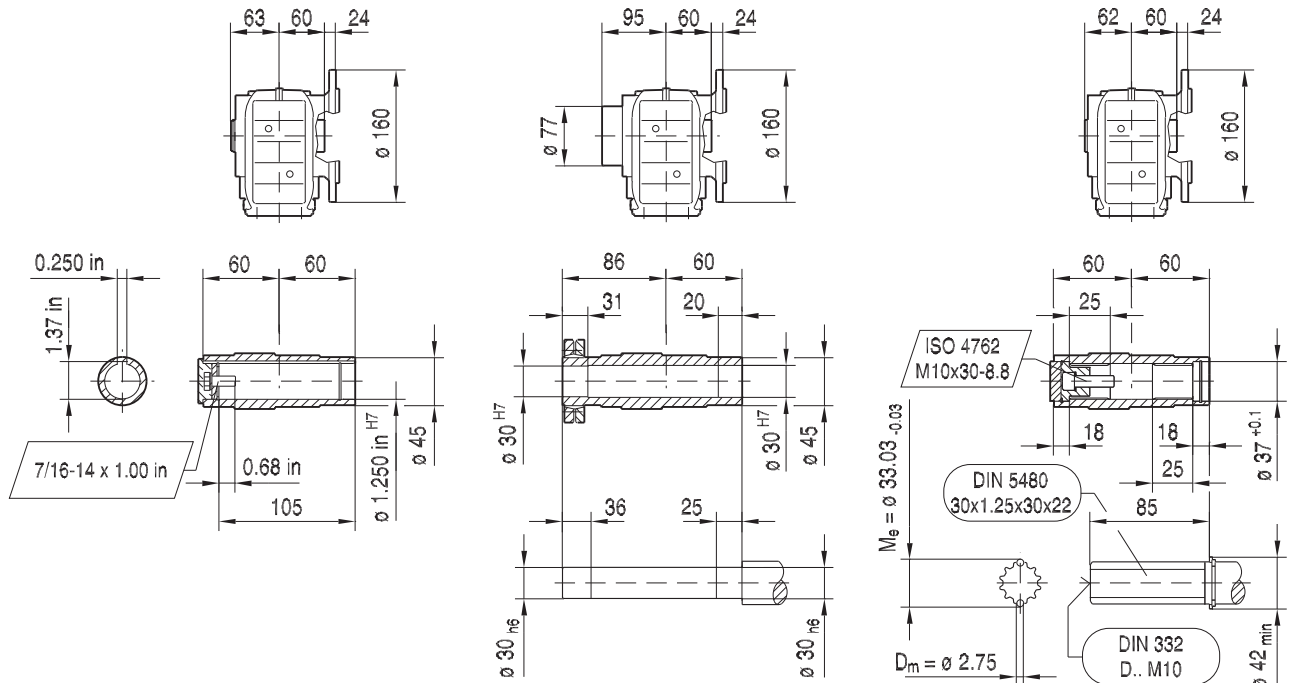


10

KAF37..

KHF37..

KVF37..



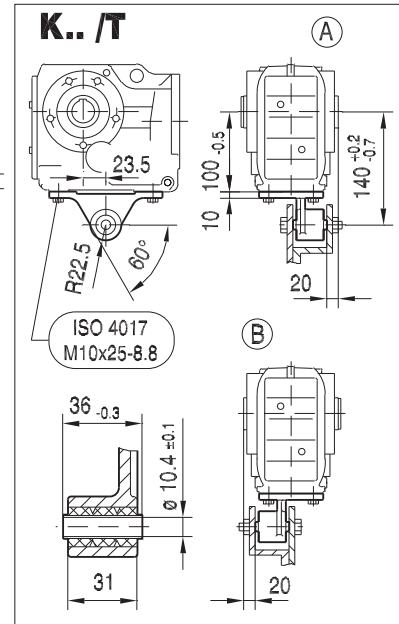
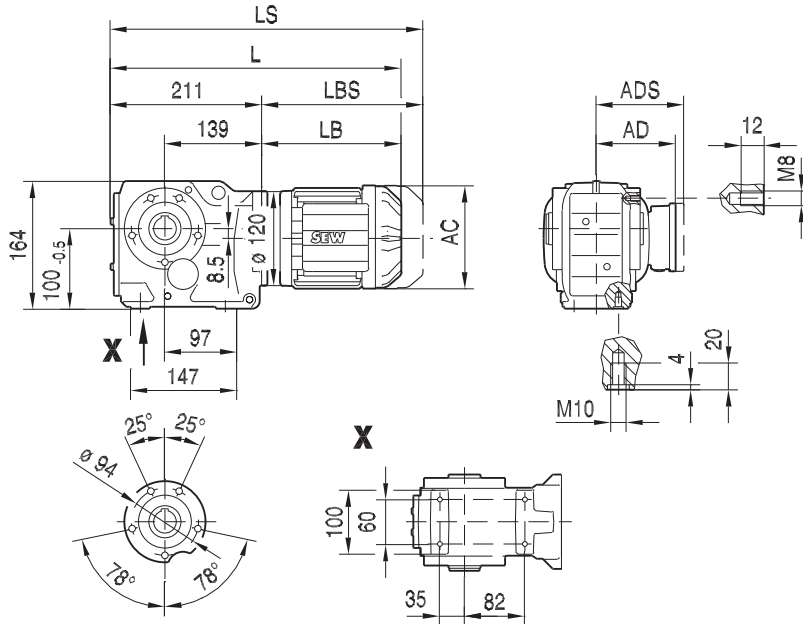
21933480/EN-US - 04/2018

(→ 163)	DR63	DRS71S	DRS71M	DRN80M	DRN90S	DRN90L	DRN100L/LM	
AC	132	139	139	156	179	179	197	
AD	105	119	119	128	140	140	157	
ADS	105	129	129	139	150	150	158	
L	402	413	438	493	494	526	575	
LS	457	481	506	574	588	620	669	
LB	191	202	227	282	283	315	364	
LBS	246	270	295	363	377	409	458	

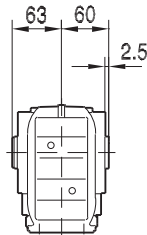
Dimensions in mm unless noted as inch. For all available output shaft diameters, see page 716. For tolerances, see page 163.

33 291 00 16

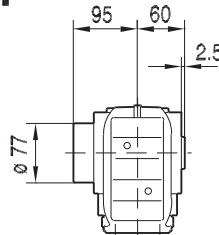
KA37..



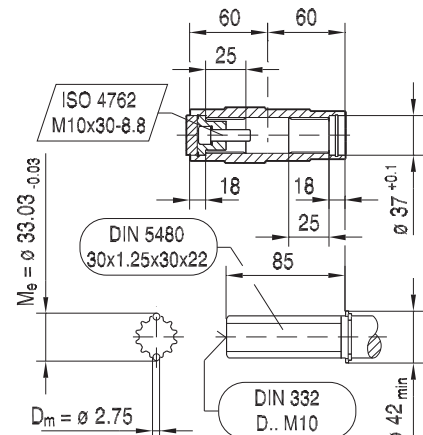
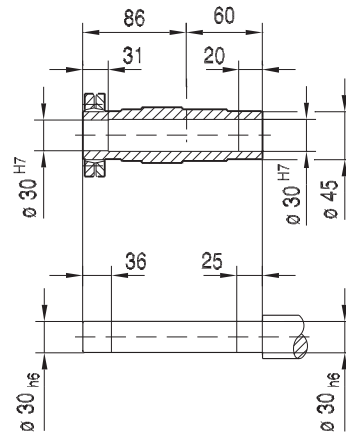
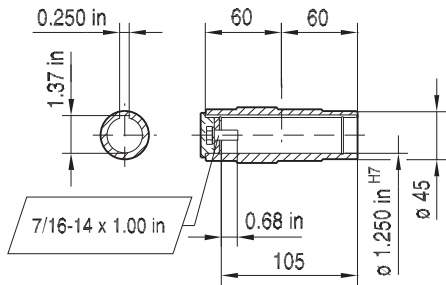
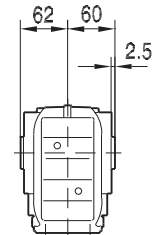
KA37..



KH37..



KV37..

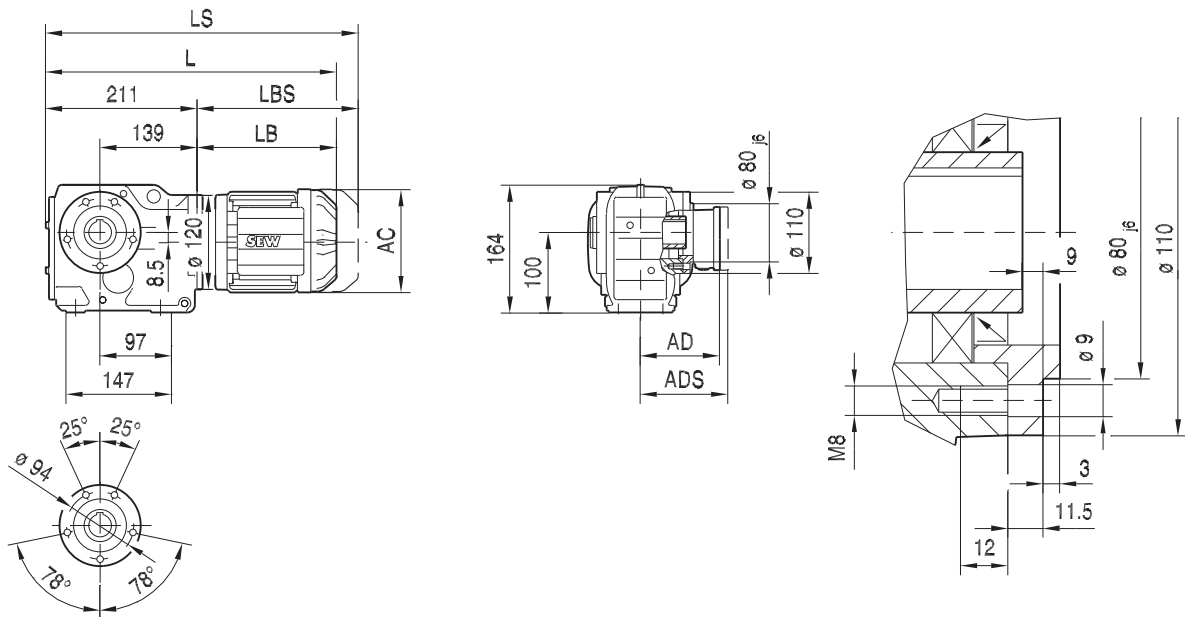


(→ 163)	DR63	DRS71S	DRS71M	DRN80M	DRN90S	DRN90L	DRN100L/LM
AC	132	139	139	156	179	179	197
AD	105	119	119	128	140	140	157
ADS	105	129	129	139	150	150	158
L	402	413	438	493	494	526	575
LS	457	481	506	574	588	620	669
LB	191	202	227	282	283	315	364
LBS	246	270	295	363	377	409	458

Dimensions in mm unless noted as inch. For all available output shaft diameters, see page 718. For tolerances, see page 163.

33 292 00 16

KAZ37..

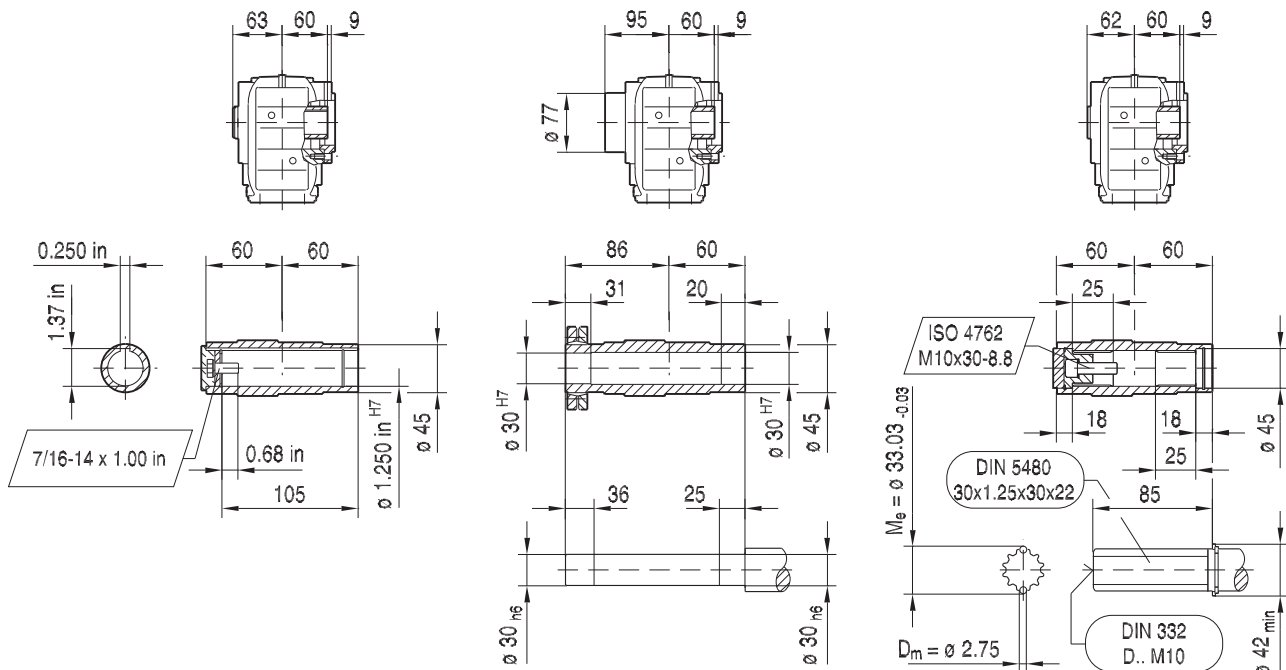


10

KAZ37..

KHZ37..

KVZ37..

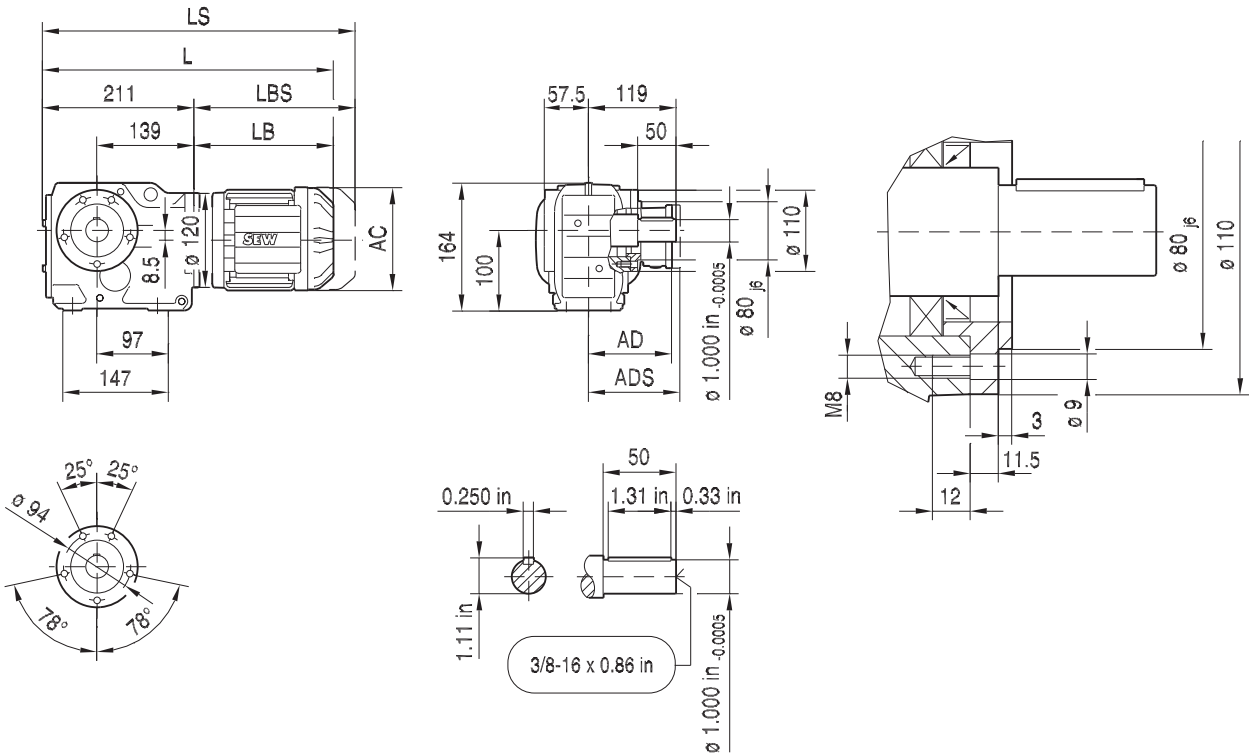


21933480/EN-US - 04/2018

(→ 163)	DR63	DRS71S	DRS71M	DRN80M	DRN90S	DRN90L	DRN100L/LM
AC	132	139	139	156	179	179	197
AD	105	119	119	128	140	140	157
ADS	105	129	129	139	150	150	158
L	402	413	438	493	494	526	575
LS	457	481	506	574	588	620	669
LB	191	202	227	282	283	315	364
LBS	246	270	295	363	377	409	458

Dimensions in mm unless noted as inch. For all available output shaft diameters, see page 718. For tolerances, see page 163.

KZ37..

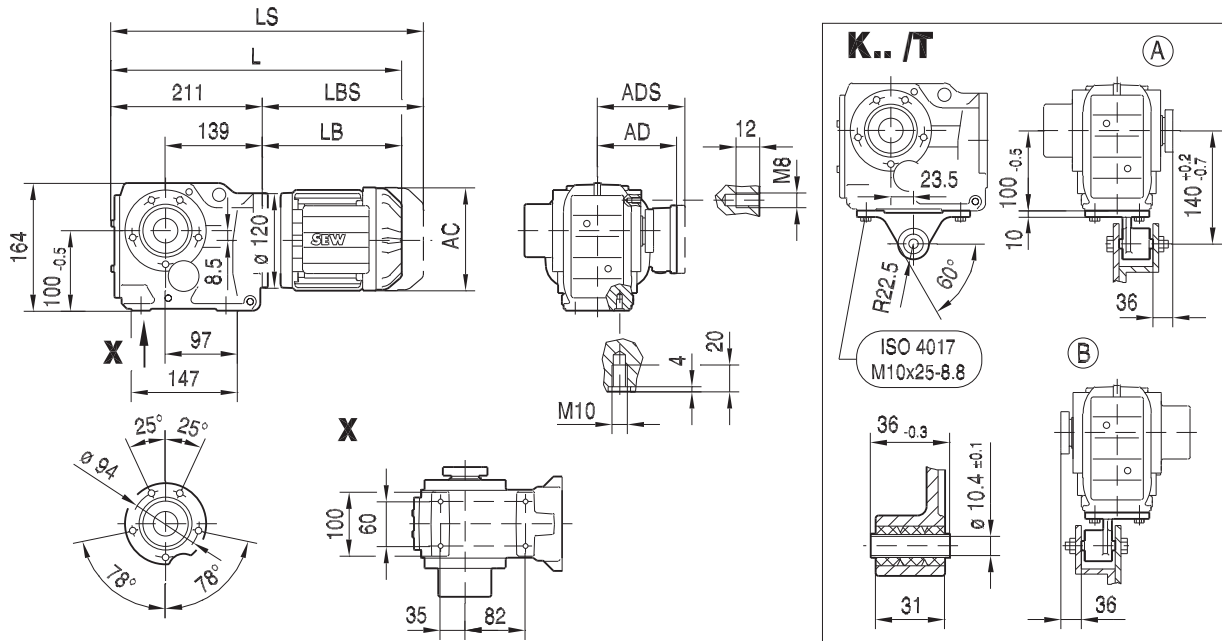


(→ 163)	DR63	DRS71S	DRS71M	DRN80M	DRN90S	DRN90L	DRN100L/LM	
AC	132	139	139	156	179	179	197	
AD	105	119	119	128	140	140	157	
ADS	105	129	129	139	150	150	158	
L	402	413	438	493	494	526	575	
LS	457	481	506	574	588	620	669	
LB	191	202	227	282	283	315	364	
LBS	246	270	295	363	377	409	458	

Dimensions in mm unless noted as inch. For all available output shaft diameters, see page 716. For tolerances, see page 163.

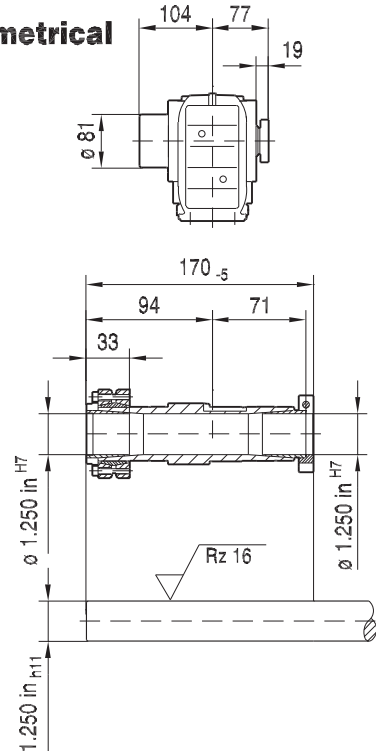
KT37..

33 294 00 16

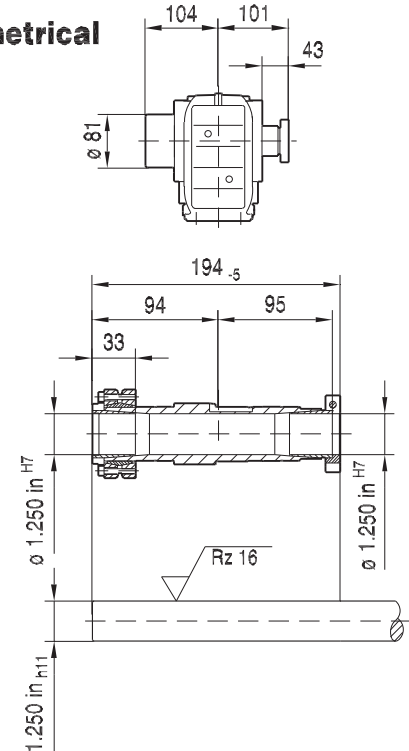


10

NON-Symmetrical



Symmetrical



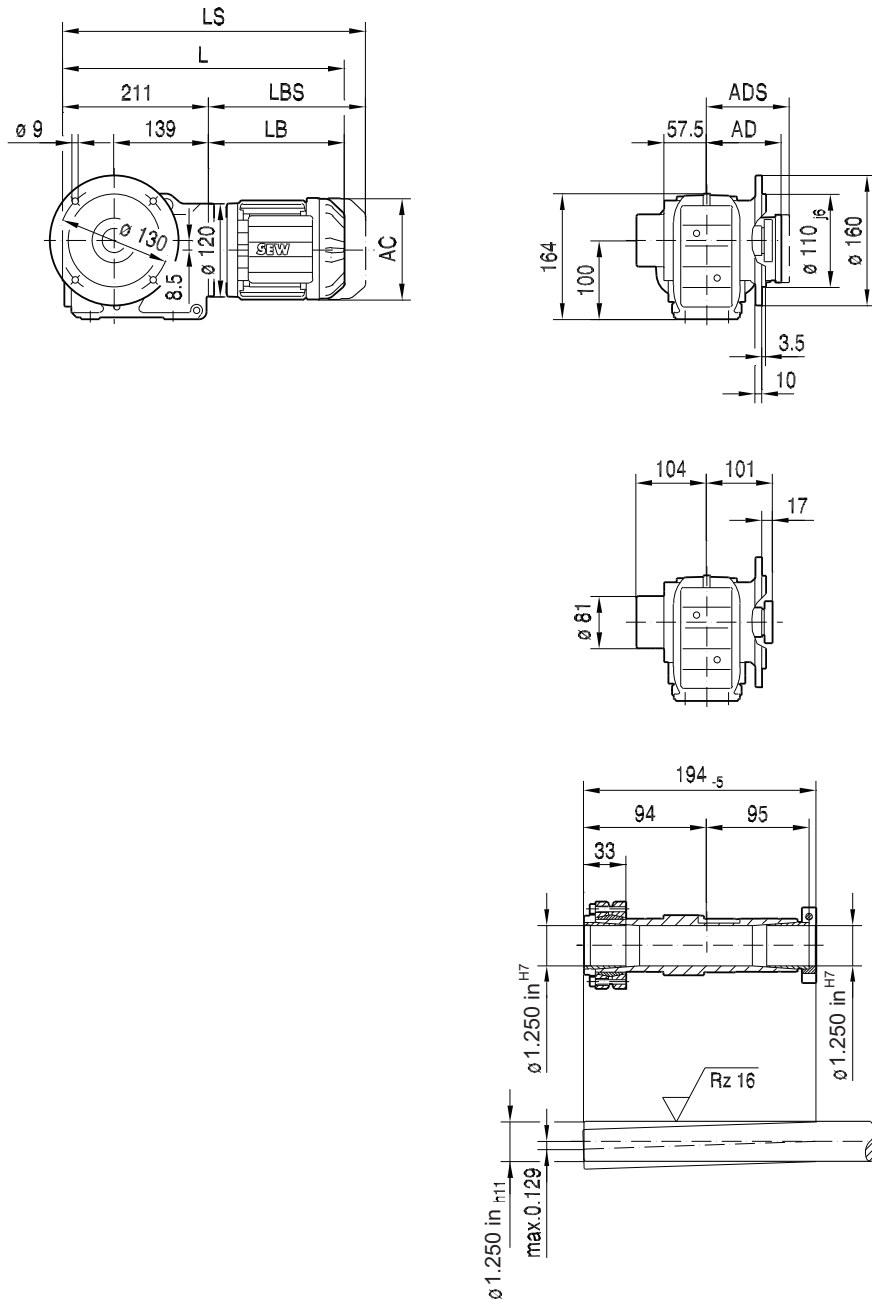
(→ 163)	DR63	DRS71S	DRS71M	DRN80M	DRN90S	DRN90L	DRN100L/LM
AC	132	139	139	156	179	179	197
AD	105	119	119	128	140	140	157
ADS	105	129	129	139	150	150	158
L	402	413	438	493	494	526	575
LS	457	481	506	574	588	620	669
LB	191	202	227	282	283	315	364
LBS	246	270	295	363	377	409	458

Dimensions in mm unless noted as inch. For all available output shaft diameters, see page 720. For tolerances, see page 163.

21933480/EN-US - 04/2018

33 095 02 13 US

KTF37..

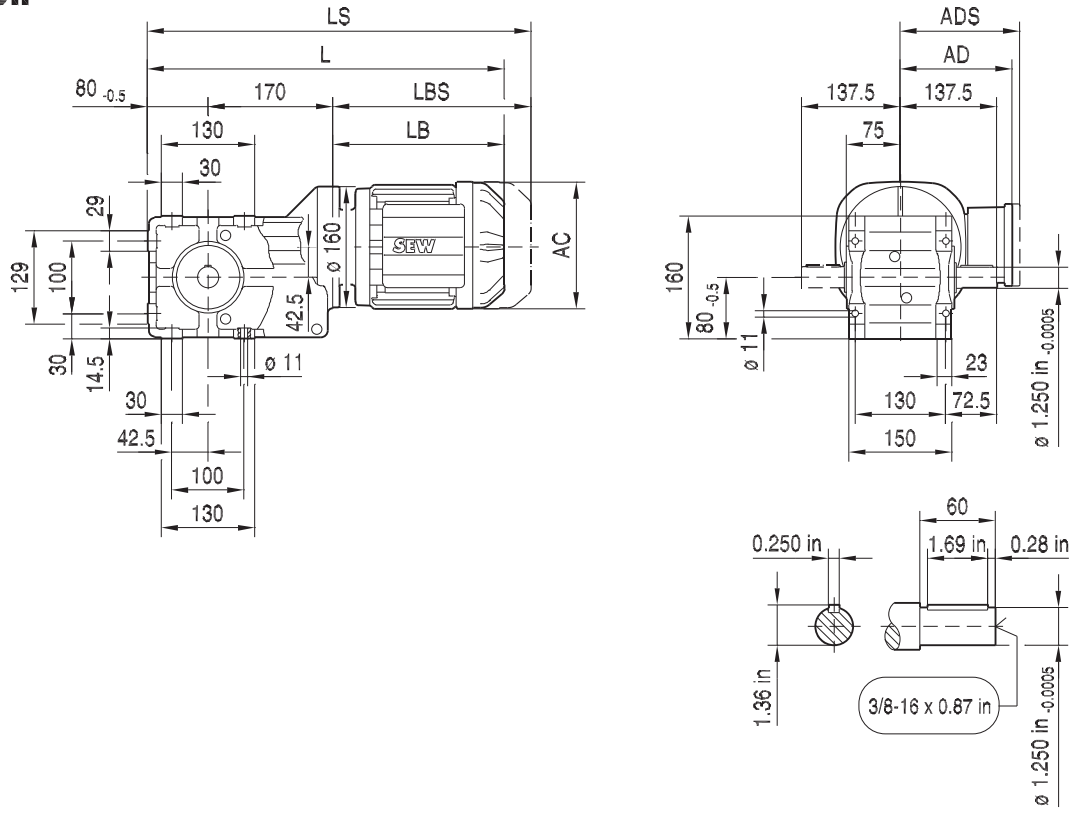


(→ 163)	DR63	DRS71S	DRS71M	DRN80M	DRN90S	DRN90L	DRN100L/LM
AC	132	139	139	156	179	179	197
AD	105	119	119	128	140	140	157
ADS	105	129	129	139	150	150	158
L	402	413	438	493	494	526	575
LS	457	481	506	574	588	620	669
LB	191	202	227	282	283	315	364
LBS	246	270	295	363	377	409	458

Dimensions in mm unless noted as inch. For all available output shaft diameters, see page 720. For tolerances, see page 163.

K39..

33 308 00 16



10

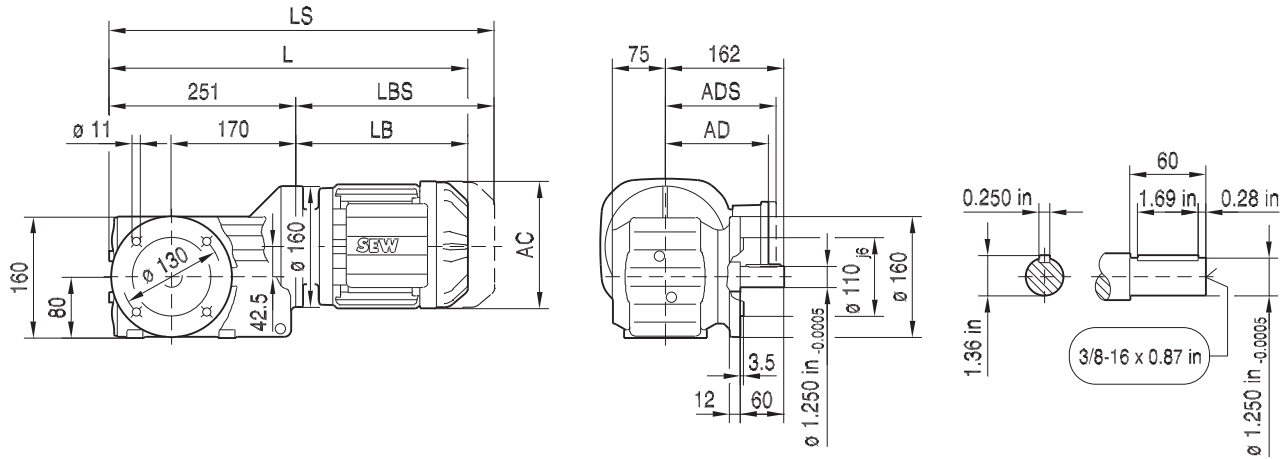
21933480/EN-US - 04/2018

(→ 163)	DR63	DRS71S	DRS71M	DRN80M	DRN90S	DRN90L	DRN100L/LM	DRN112M
AC	132	139	139	156	179	179	197	221
AD	105	119	119	128	140	140	157	170
ADS	105	129	129	139	150	150	158	172
L	435	446	471	525	527	559	605	636
LS	490	514	539	606	620	652	699	748
LB	185	196	221	275	277	309	355	386
LBS	240	264	289	356	370	402	449	498

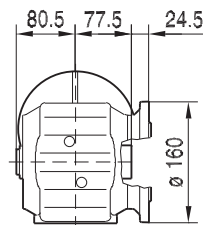
Dimensions in mm unless noted as inch. For all available output shaft diameters, see page 716. For tolerances, see page 163.

33 309 00 16

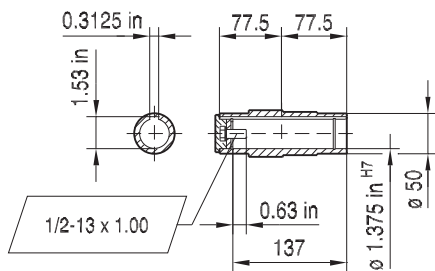
KF39..



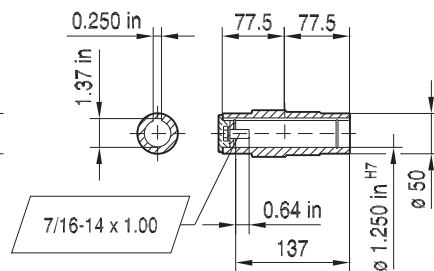
KAF39..



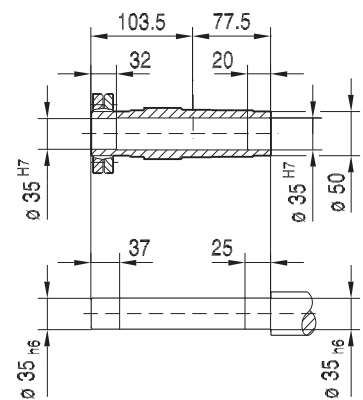
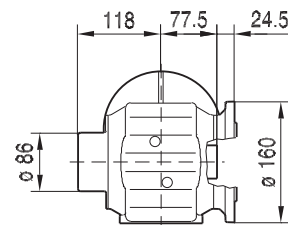
$\phi 1.375 \text{ in H7}$



$\phi 1.250 \text{ in H7}$



KHF39..

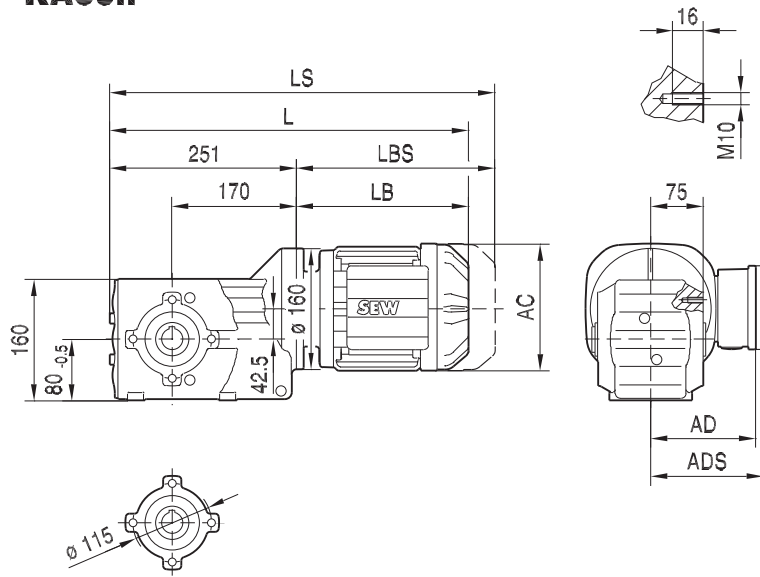


(→ 163)	DR63	DRS71S	DRS71M	DRN80M	DRN90S	DRN90L	DRN100L/LM	DRN112M
AC	132	139	139	156	179	179	197	221
AD	105	119	119	128	140	140	157	170
ADS	105	129	129	139	150	150	158	172
L	436	447	472	526	528	560	606	637
LS	491	515	540	607	621	653	700	749
LB	185	196	221	275	277	309	355	386
LBS	240	264	289	356	370	402	449	498

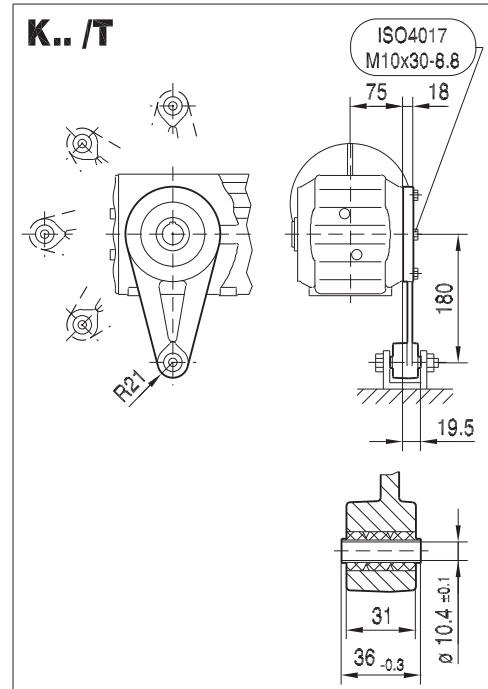
Dimensions in mm unless noted as inch. For all available output shaft diameters, see page 716. For tolerances, see page 163.

221933480/EN-US - 04/2018

KA39..

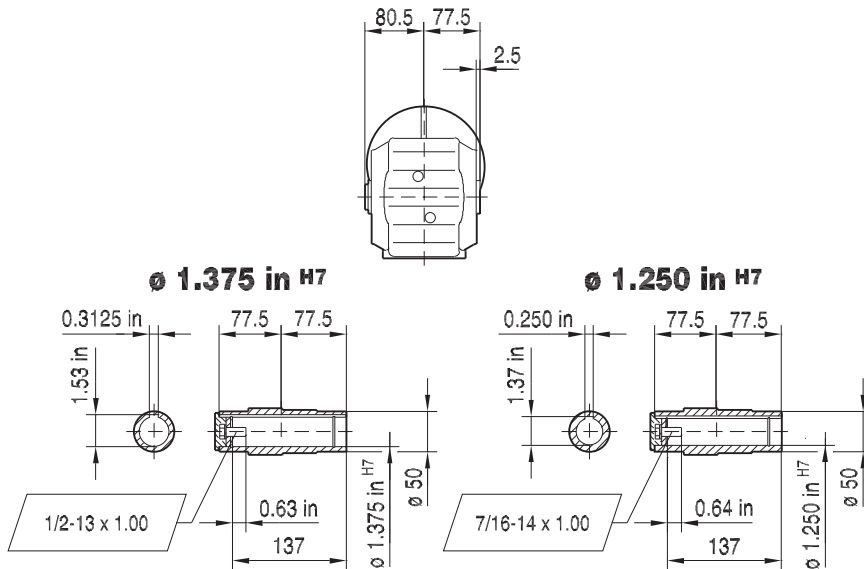


33 310 00 16

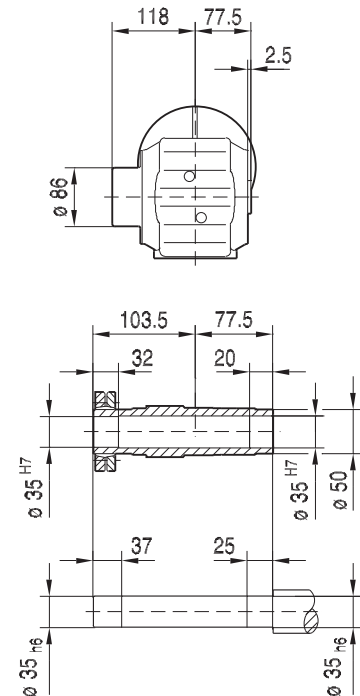


10

KA39..



KH39..



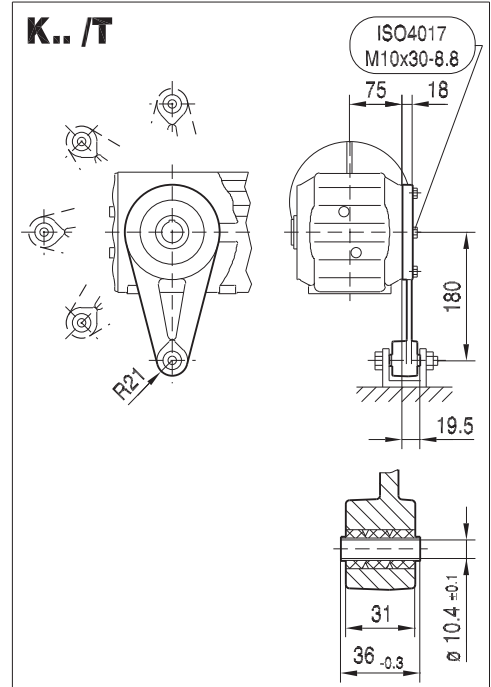
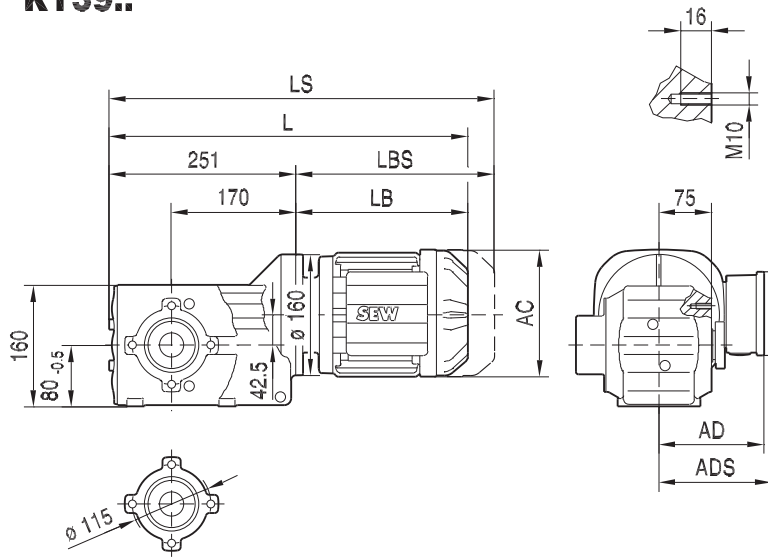
21933480/EN-US - 04/2018

(→ 163)	DR63	DRS71S	DRS71M	DRN80M	DRN90S	DRN90L	DRN100L/LM	DRN112M
AC	132	139	139	156	179	179	197	221
AD	105	119	119	128	140	140	157	170
ADS	105	129	129	139	150	150	158	172
L	436	447	472	526	528	560	606	637
LS	491	515	540	607	621	653	700	749
LB	185	196	221	275	277	309	355	386
LBS	240	264	289	356	370	402	449	498

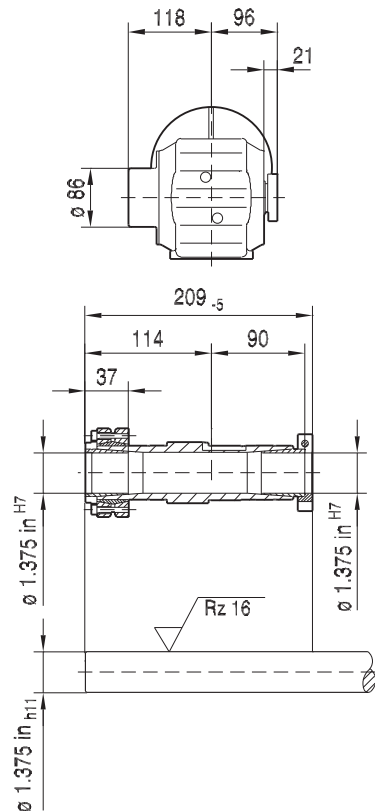
Dimensions in mm unless noted as inch. For all available output shaft diameters, see page 718. For tolerances, see page 163.

33 311 00 16

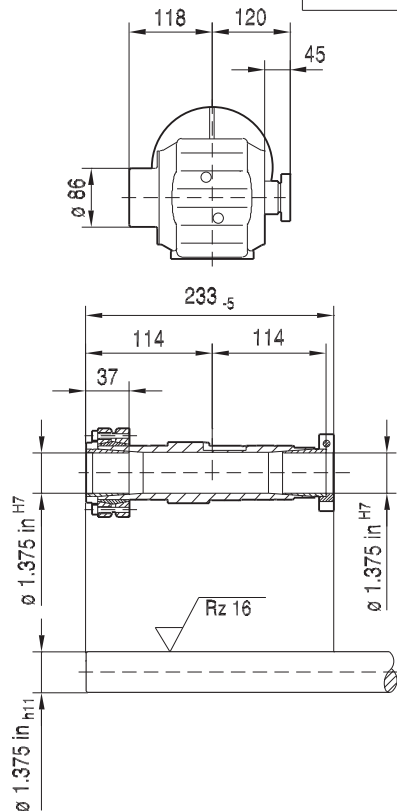
KT39..



NON-Symmetrical



Symmetrical



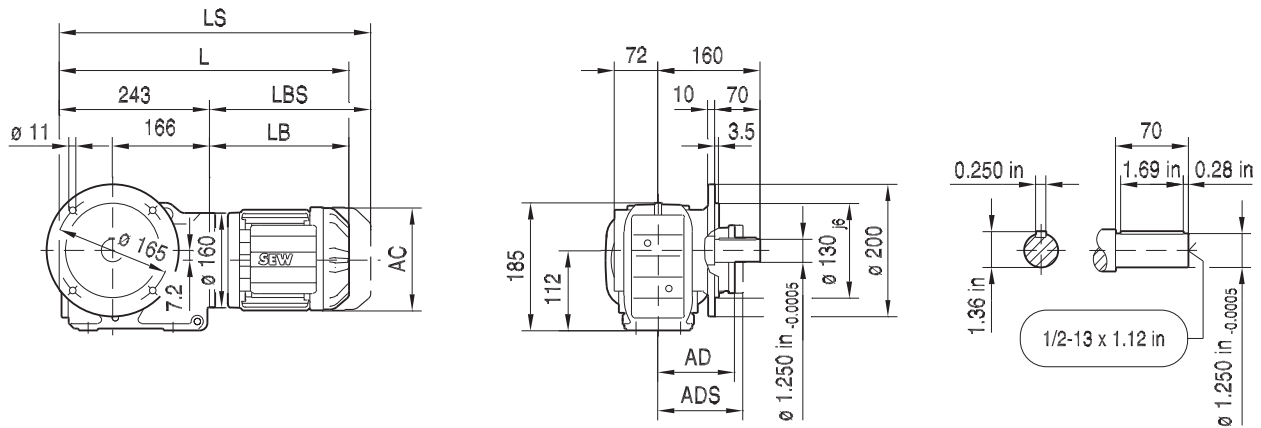
(→ 163)	DR63	DRS71S	DRS71M	DRN80M	DRN90S	DRN90L	DRN100L/LM	DRN112M
AC	132	139	139	156	179	179	197	221
AD	105	119	119	128	140	140	157	170
ADS	105	129	129	139	150	150	158	172
L	436	447	472	526	528	560	606	637
LS	491	515	540	607	621	653	700	749
LB	185	196	221	275	277	309	355	386
LBS	240	264	289	356	370	402	449	498

Dimensions in mm unless noted as inch. For all available output shaft diameters, see page 720. For tolerances, see page 163.

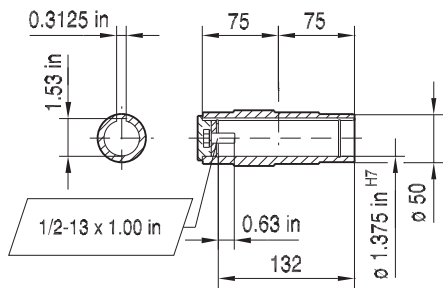
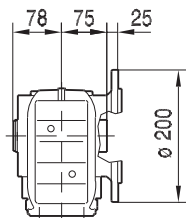
221933480/EN-US - 04/2018

33 313 00 16

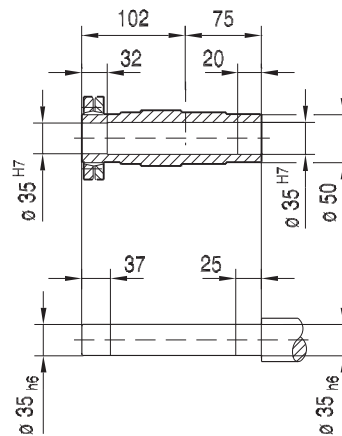
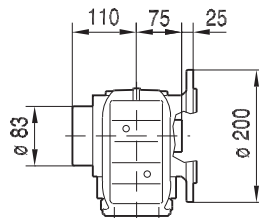
KF47..



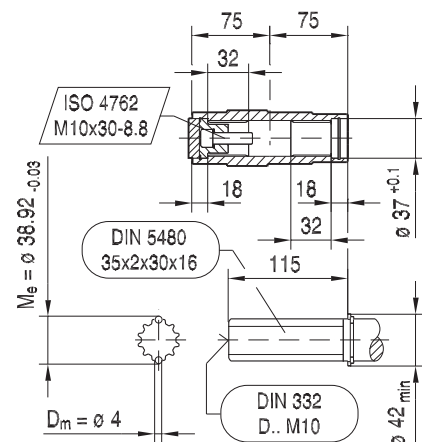
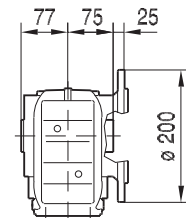
KAF47..



KHF47..



KVF47..



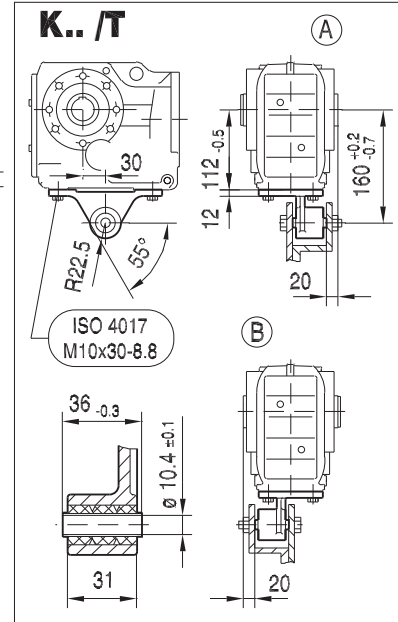
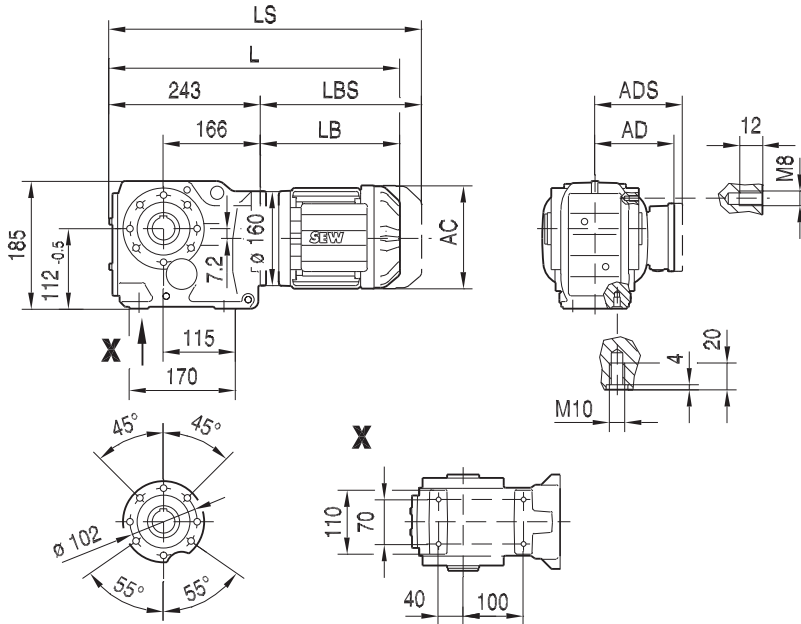
(→ 163)	DR63	DRS71S	DRS71M	DRN80M	DRN90S	DRN90L	DRN100L/LM
AC	132	139	139	156	179	179	197
AD	105	119	119	128	140	140	157
ADS	105	129	129	139	150	150	158
L	428	439	464	518	520	552	598
LS	483	507	532	599	613	645	692
LB	185	196	221	275	277	309	355
LBS	240	264	289	356	370	402	449

Dimensions in mm unless noted as inch. For all available output shaft diameters, see page 716. For tolerances, see page 163.

221933480/EN-US - 04/2018

KA47..

33 314 00 16

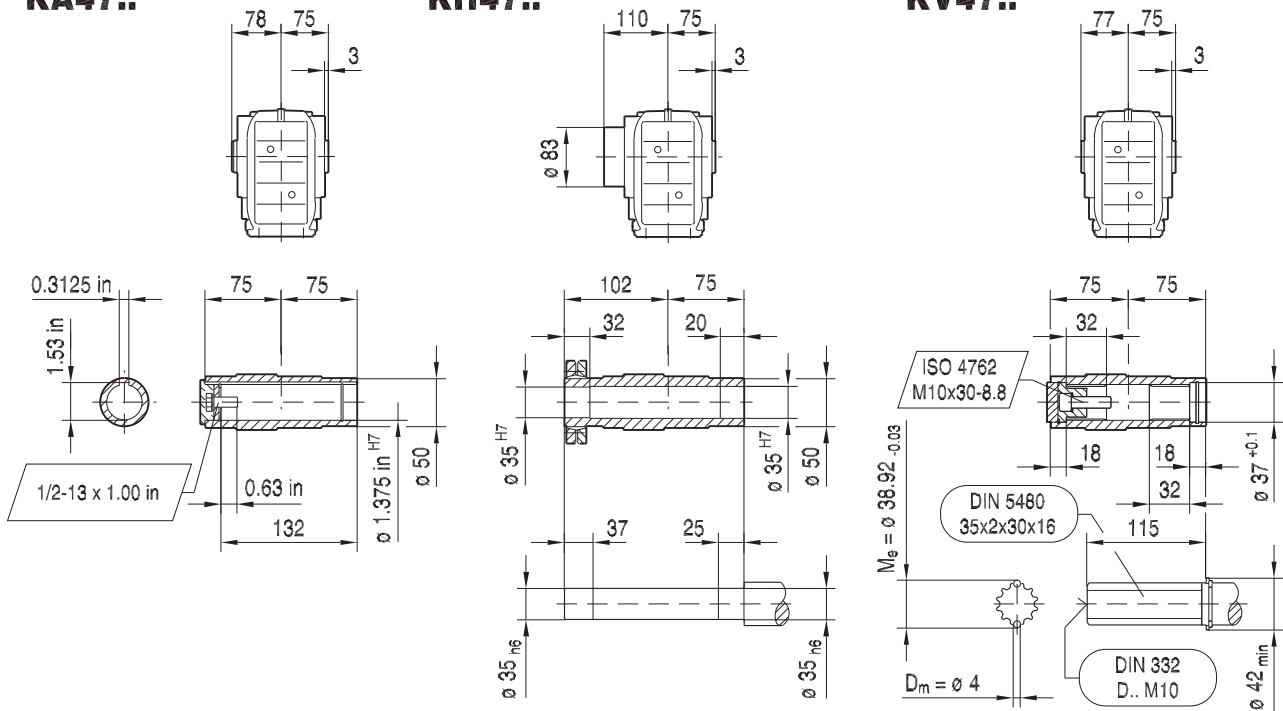


10

KA47..

KH47..

KV47..



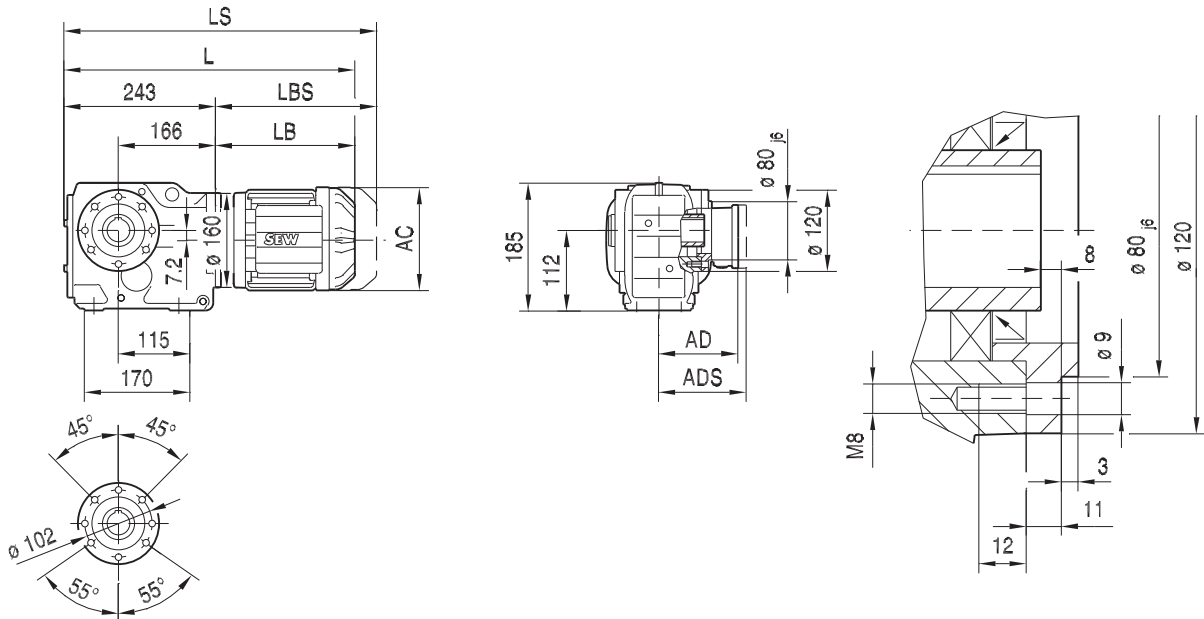
21933480/EN-US - 04/2018

(→ 163)	DR63	DRS71S	DRS71M	DRN80M	DRN90S	DRN90L	DRN100L/LM
AC	132	139	139	156	179	179	197
AD	105	119	119	128	140	140	157
ADS	105	129	129	139	150	150	158
L	428	439	464	518	520	552	598
LS	483	507	532	599	613	645	692
LB	185	196	221	275	277	309	355
LBS	240	264	289	356	370	402	449

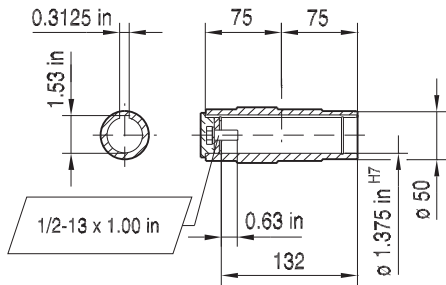
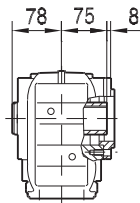
Dimensions in mm unless noted as inch. For all available output shaft diameters, see page 718. For tolerances, see page 163.

33 315 00 16

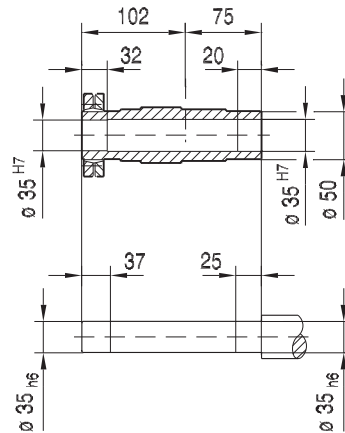
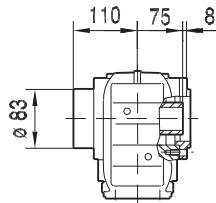
KAZ47..



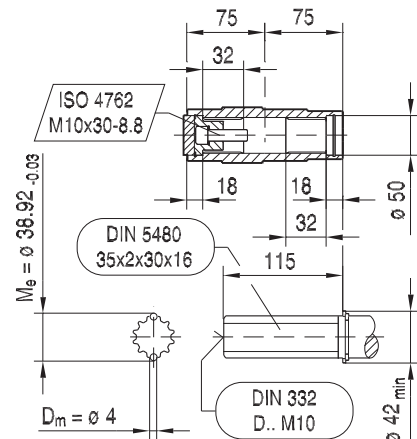
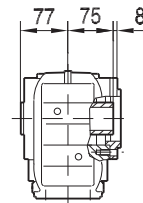
KAZ47..



KHZ47..



KVZ47..



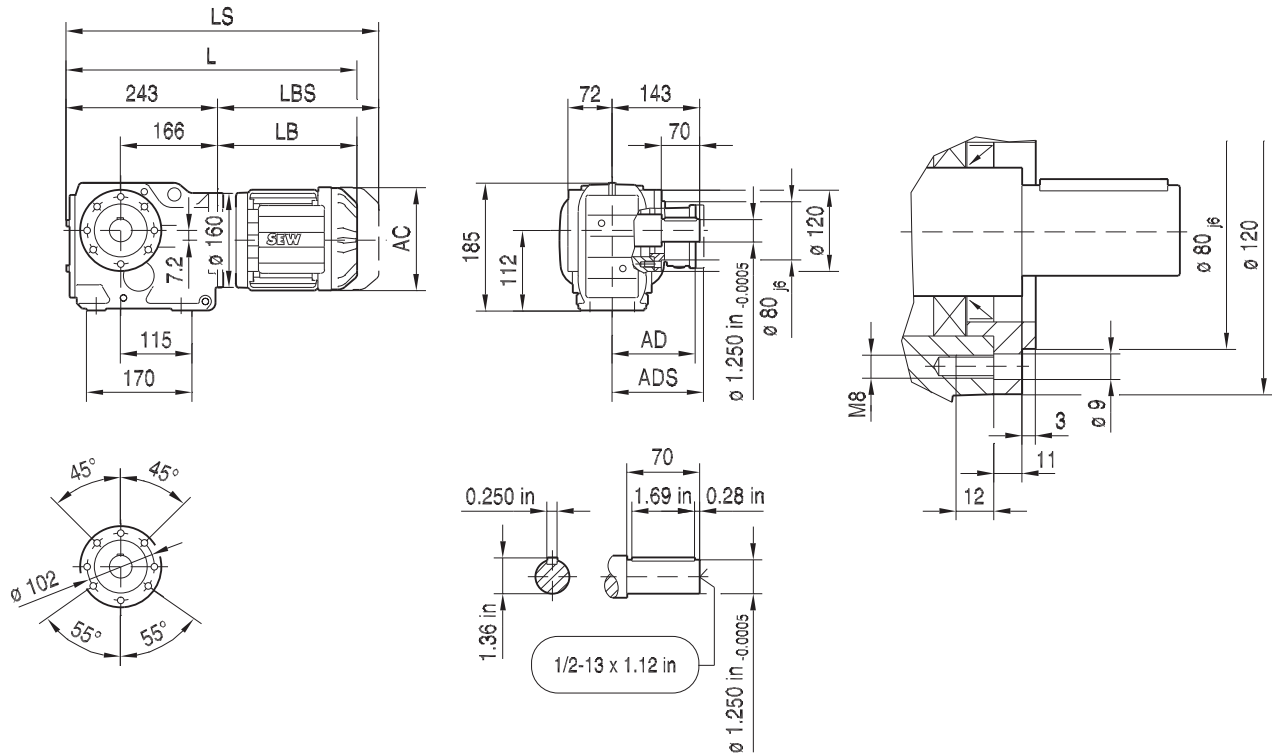
(→ 163)	DR63	DRS71S	DRS71M	DRN80M	DRN90S	DRN90L	DRN100L/LM
AC	132	139	139	156	179	179	197
AD	105	119	119	128	140	140	157
ADS	105	129	129	139	150	150	158
L	428	439	464	518	520	552	598
LS	483	507	532	599	613	645	692
LB	185	196	221	275	277	309	355
LBS	240	264	289	356	370	402	449

Dimensions in mm unless noted as inch. For all available output shaft diameters, see page 718. For tolerances, see page 163.

221933480/EN-US - 04/2018

KZ47..

33 316 00 16



10

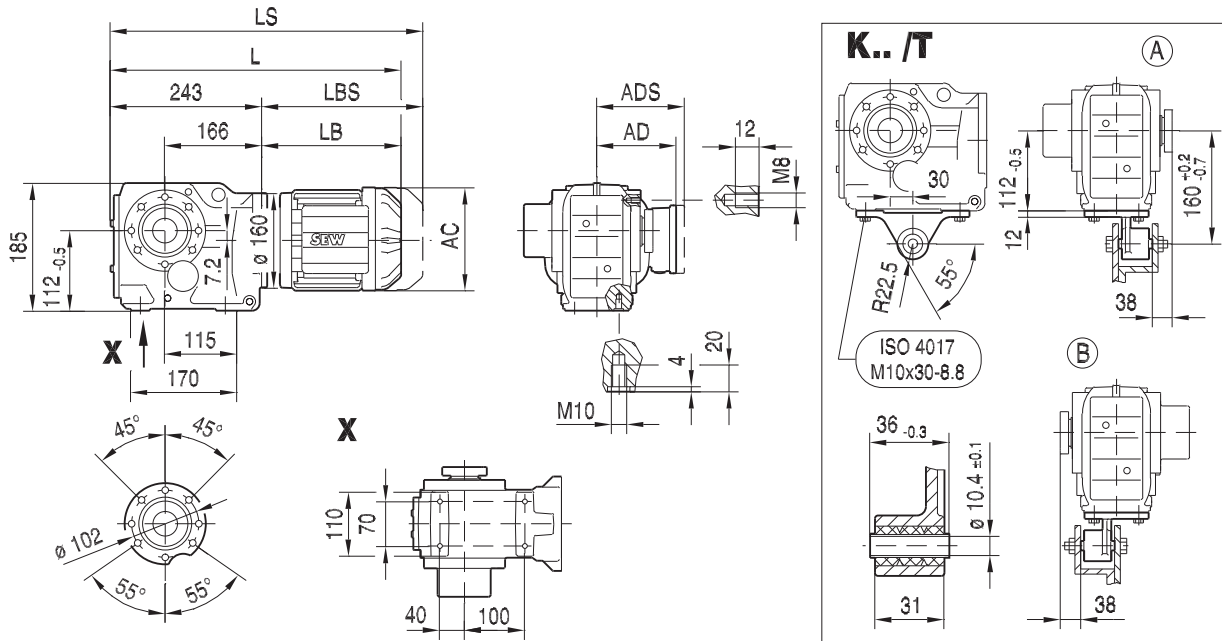
21933480/EN-US - 04/2018

(→ 163)	DR63	DRS71S	DRS71M	DRN80M	DRN90S	DRN90L	DRN100L/LM
AC	132	139	139	156	179	179	197
AD	105	119	119	128	140	140	157
ADS	105	129	129	139	150	150	158
L	428	439	464	518	520	552	598
LS	483	507	532	599	613	645	692
LB	185	196	221	275	277	309	355
LBS	240	264	289	356	370	402	449

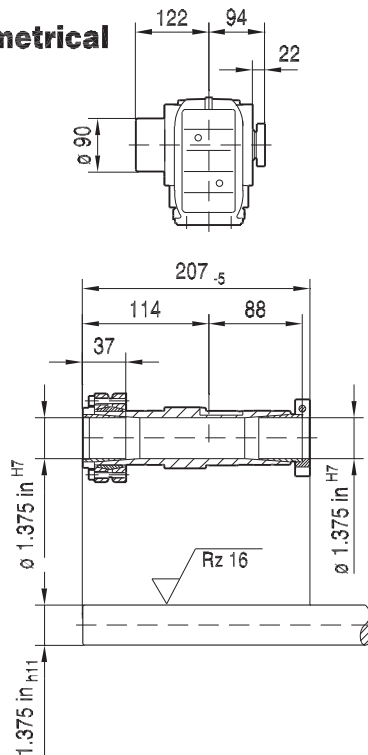
Dimensions in mm unless noted as inch. For all available output shaft diameters, see page 716. For tolerances, see page 163.

33 317 00 16

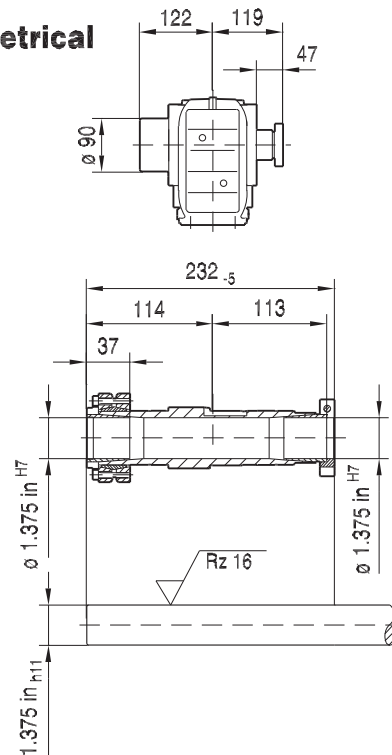
KT47..



NON-Symmetrical



Symmetrical

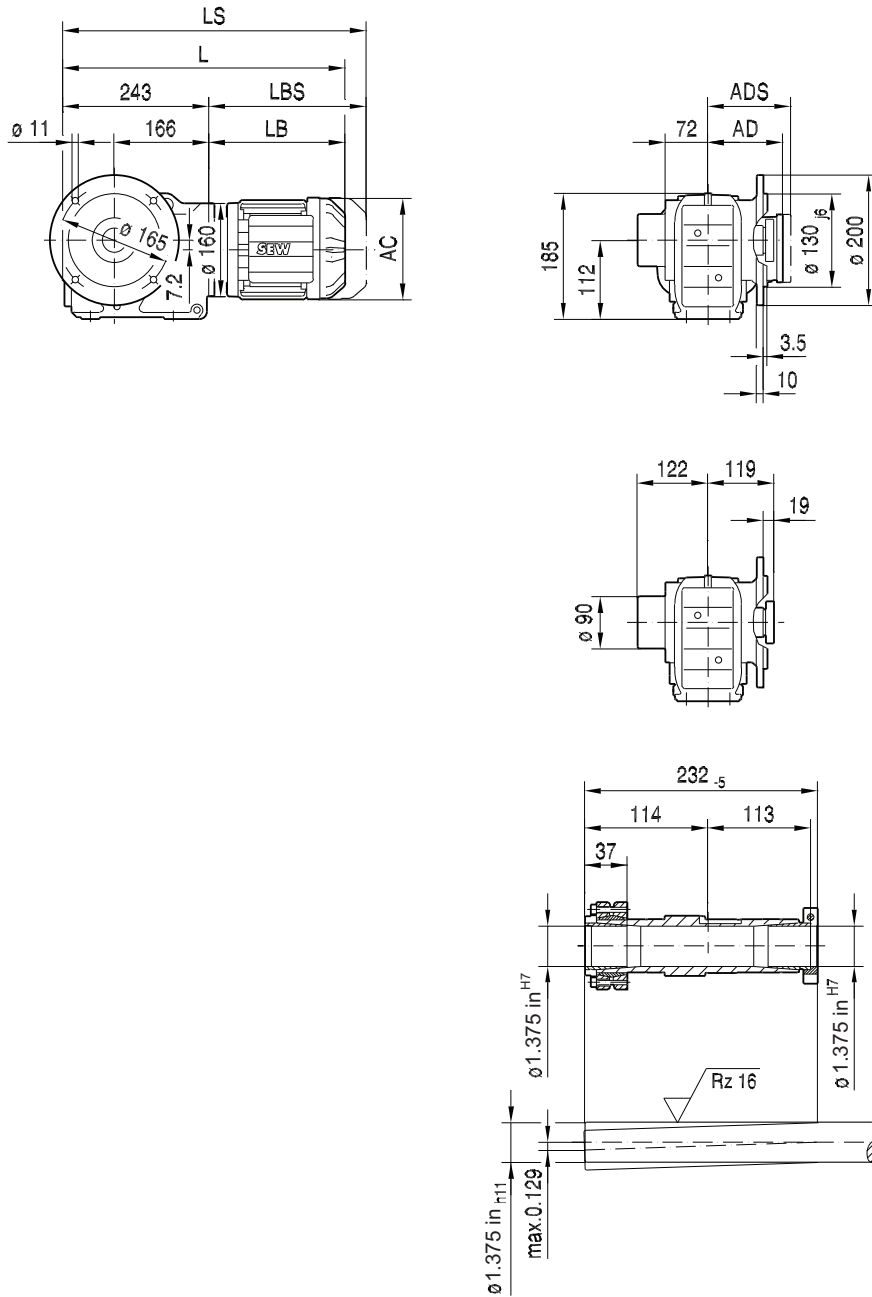


(→ 163)	DR63	DRS71S	DRS71M	DRN80M	DRN90S	DRN90L	DRN100L/LM
AC	132	139	139	156	179	179	197
AD	105	119	119	128	140	140	157
ADS	105	129	129	139	150	150	158
L	428	439	464	518	520	552	598
LS	483	507	532	599	613	645	692
LB	185	196	221	275	277	309	355
LBS	240	264	289	356	370	402	449

Dimensions in mm unless noted as inch. For all available output shaft diameters, see page 720. For tolerances, see page 163.

KTF47..

33 096 02 13 US



10

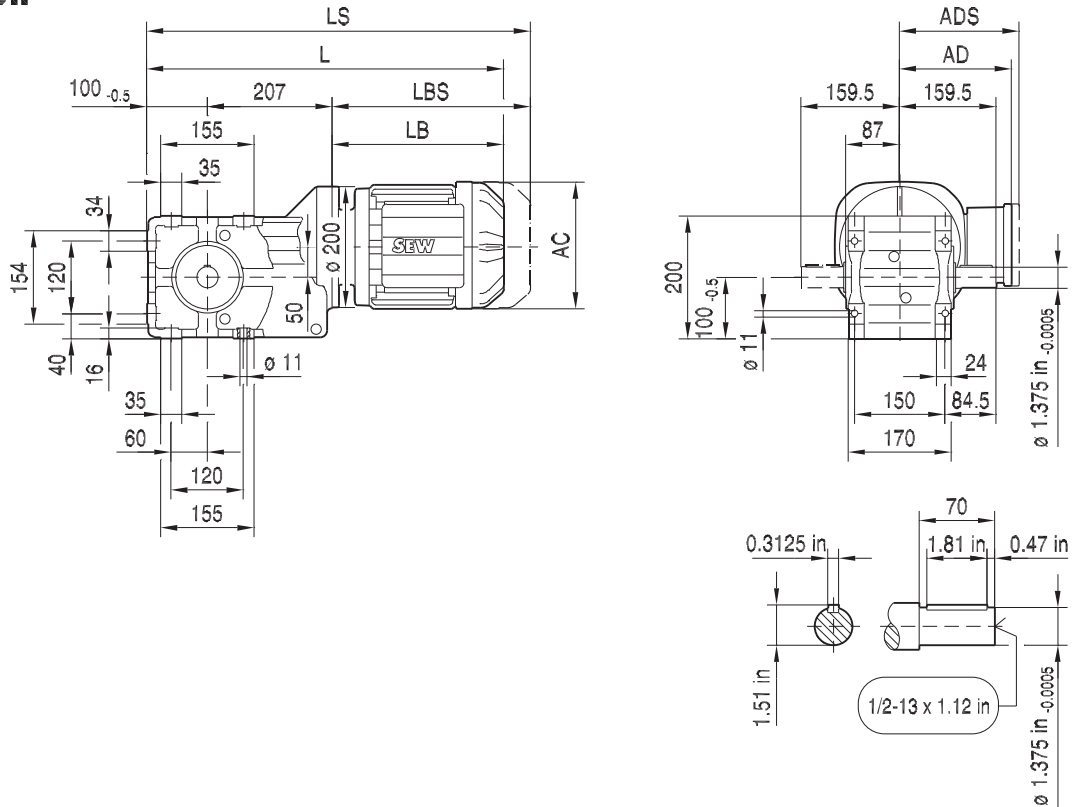
21933480/EN-US - 04/2018

(→ 163)	DR63	DRS71S	DRS71M	DRN80M	DRN90S	DRN90L	DRN100L/LM
AC	132	139	139	156	179	179	197
AD	105	119	119	128	140	140	157
ADS	105	129	129	139	150	150	158
L	428	439	464	518	520	552	598
LS	483	507	532	599	613	645	692
LB	185	196	221	275	277	309	355
LBS	240	264	289	356	370	402	449

Dimensions in mm unless noted as inch. For all available output shaft diameters, see page 720. For tolerances, see page 163.

33 318 00 16

K49..

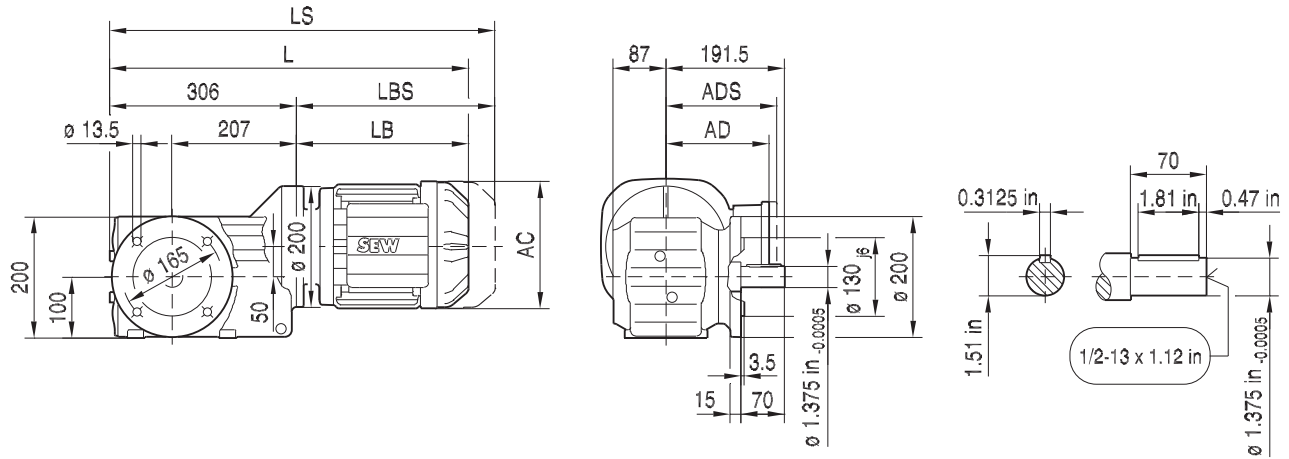


(→ 163)	DR63	DRS71S	DRS71M	DRN80M	DRN90S	DRN90L	DRN100L/LM	DRN112M	DRN132S	DRN132M
AC	132	139	139	156	179	179	197	221	221	261
AD	105	119	119	128	140	140	157	170	170	228
ADS	105	129	129	139	150	150	158	172	172	228
L	485	496	521	575	577	609	655	686	736	754
LS	540	564	589	656	670	702	749	798	848	892
LB	178	189	214	268	270	302	348	379	429	447
LBS	233	257	282	349	363	395	442	491	541	585

Dimensions in mm unless noted as inch. For all available output shaft diameters, see page 716. For tolerances, see page 163.

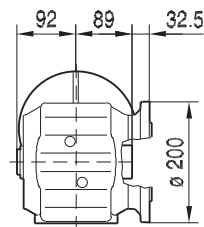
33 319 00 16

KF49..

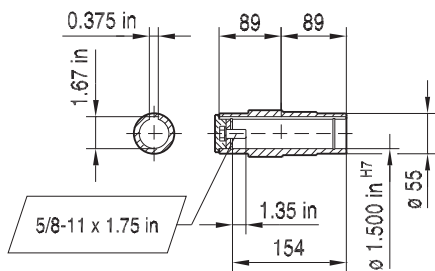


10

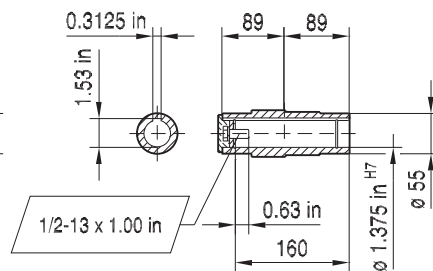
KAF49..



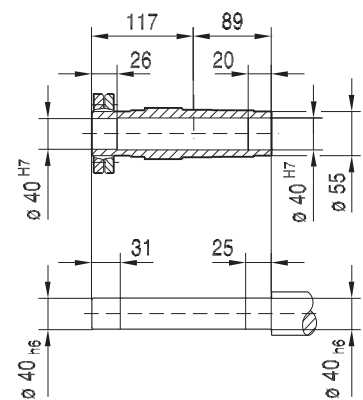
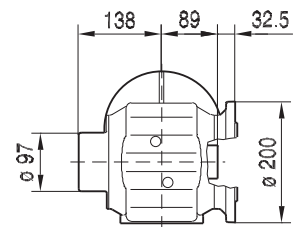
$\phi 1.500$ in H7



$\phi 1.375$ in H7



KHF49..

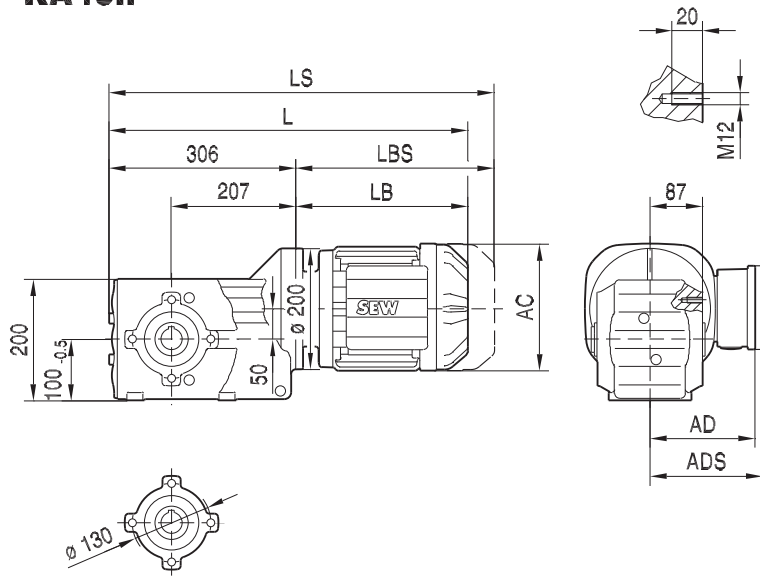


21933480/EN-US - 04/2018

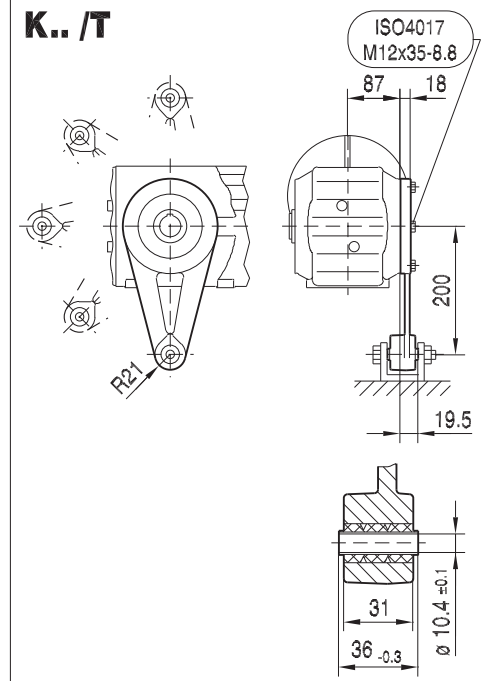
(→ 163)	DR63	DRS71S	DRS71M	DRN80M	DRN90S	DRN90L	DRN100L/LM	DRN112M	DRN132S	DRN132M
AC	132	139	139	156	179	179	197	221	221	261
AD	105	119	119	128	140	140	157	170	170	228
ADS	105	129	129	139	150	150	158	172	172	228
L	484	495	520	574	576	608	654	685	735	753
LS	539	563	588	655	669	701	748	797	847	891
LB	178	189	214	268	270	302	348	379	429	447
LBS	233	257	282	349	363	395	442	491	541	585

Dimensions in mm unless noted as inch. For all available output shaft diameters, see page 716. For tolerances, see page 163.

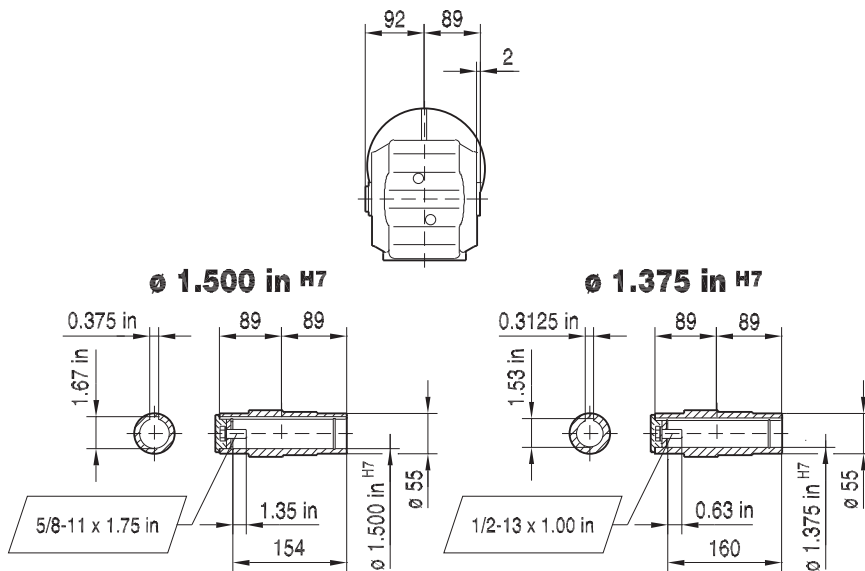
KA49..



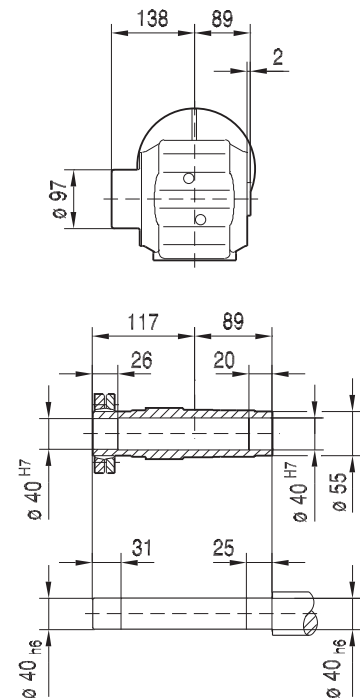
33 320 00 16



KA49..



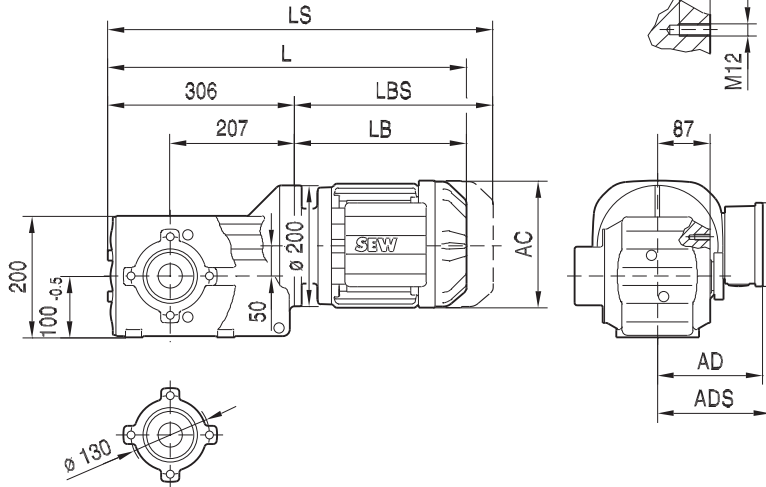
KH49..



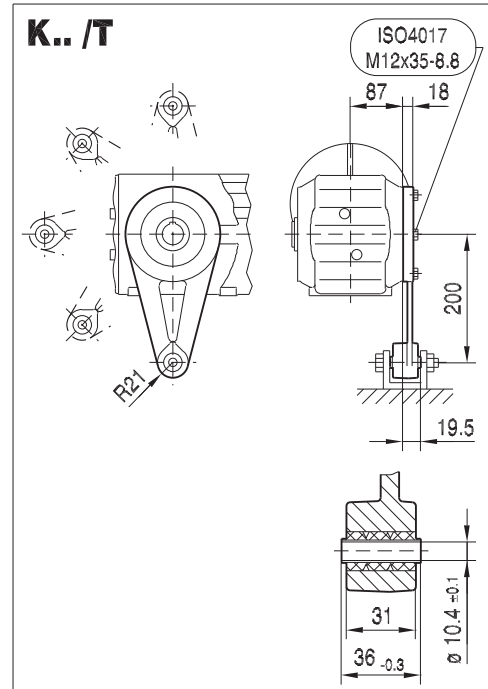
(→ 163)	DR63	DRS71S	DRS71M	DRN80M	DRN90S	DRN90L	DRN100L/LM	DRN112M	DRN132S	DRN132M
AC	132	139	139	156	179	179	197	221	221	261
AD	105	119	119	128	140	140	157	170	170	228
ADS	105	129	129	139	150	150	158	172	172	228
L	484	495	520	574	576	608	654	685	735	753
LS	539	563	588	655	669	701	748	797	847	891
LB	178	189	214	268	270	302	348	379	429	447
LBS	233	257	282	349	363	395	442	491	541	585

Dimensions in mm unless noted as inch. For all available output shaft diameters, see page 718. For tolerances, see page 163.

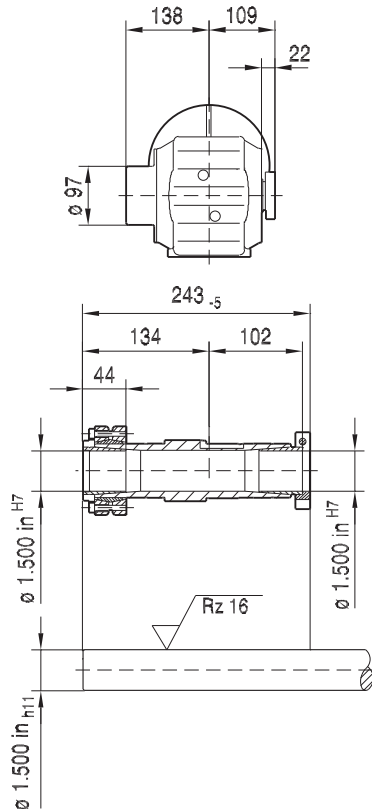
KT49..



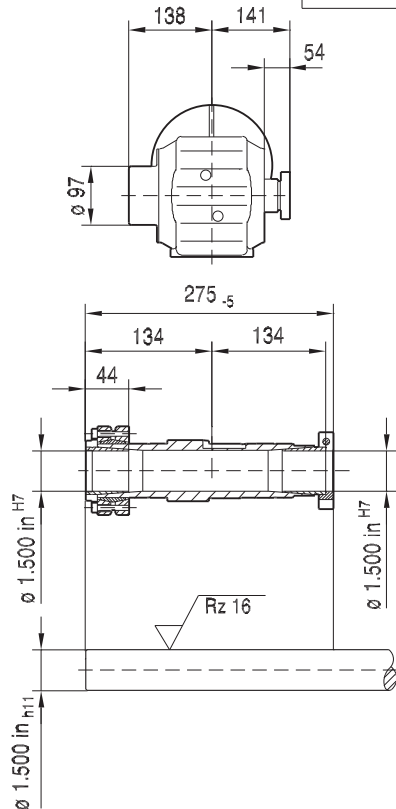
33 321 00 16



NON-Symmetrical



Symmetrical



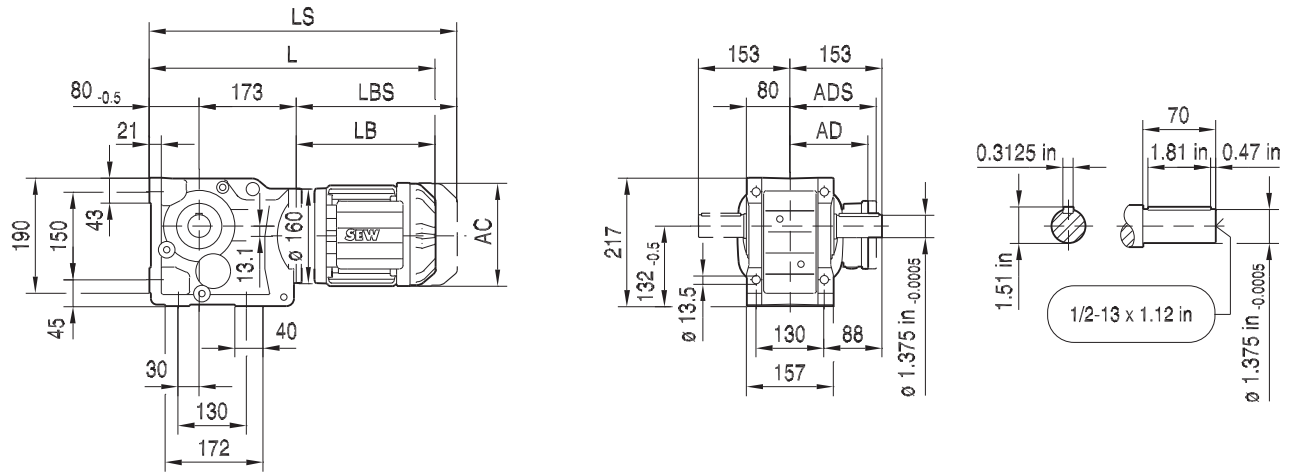
(→ 163)	DR63	DRS71S	DRS71M	DRN80M	DRN90S	DRN90L	DRN100L/LM	DRN112M	DRN132S	DRN132M
AC	132	139	139	156	179	179	197	221	221	261
AD	105	119	119	128	140	140	157	170	170	228
ADS	105	129	129	139	150	150	158	172	172	228
L	484	495	520	574	576	608	654	685	735	753
LS	539	563	588	655	669	701	748	797	847	891
LB	178	189	214	268	270	302	348	379	429	447
LBS	233	257	282	349	363	395	442	491	541	585

Dimensions in mm unless noted as inch. For all available output shaft diameters, see page 720. For tolerances, see page 163.

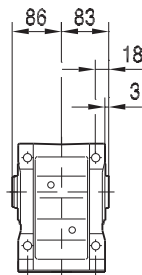
21933480/EN-US - 04/2018

33 322 00 16

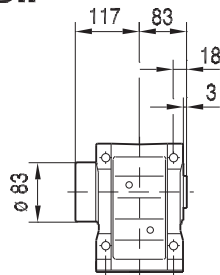
K57..



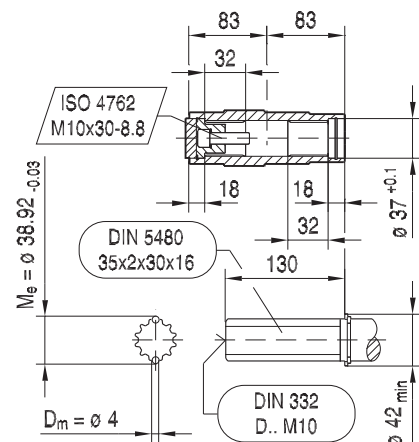
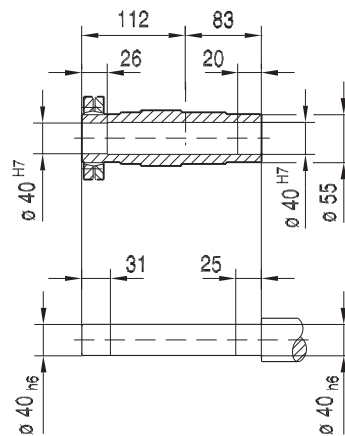
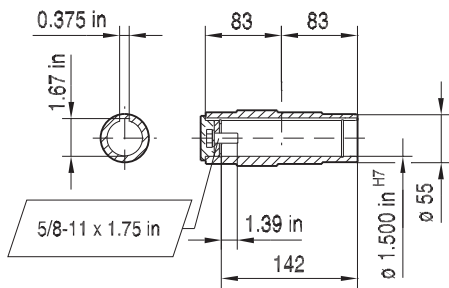
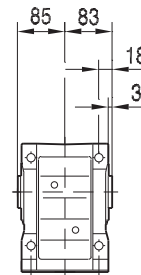
KA57B..



KH57B..



KV57B..

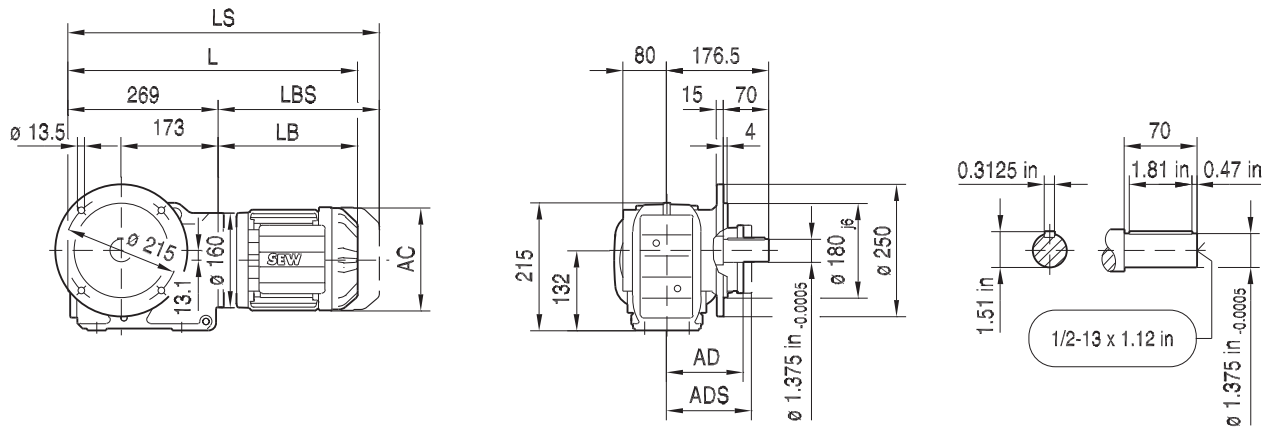


(→ 163)	DRS71S	DRS71M	DRN80M	DRN90S	DRN90L	DRN100L/LM	DRN112M	DRN132S	DRN132M
AC	139	139	156	179	179	197	221	221	261
AD	119	119	128	140	140	157	170	170	228
ADS	129	129	139	150	150	158	172	172	228
L	449	474	528	530	562	608	639	693	711
LS	517	542	609	623	655	702	751	805	849
LB	196	221	275	277	309	355	386	440	458
LBS	264	289	356	370	402	449	498	552	596

Dimensions in mm unless noted as inch. For all available output shaft diameters, see page 716. For tolerances, see page 163.

33 323 00 16

KF57..

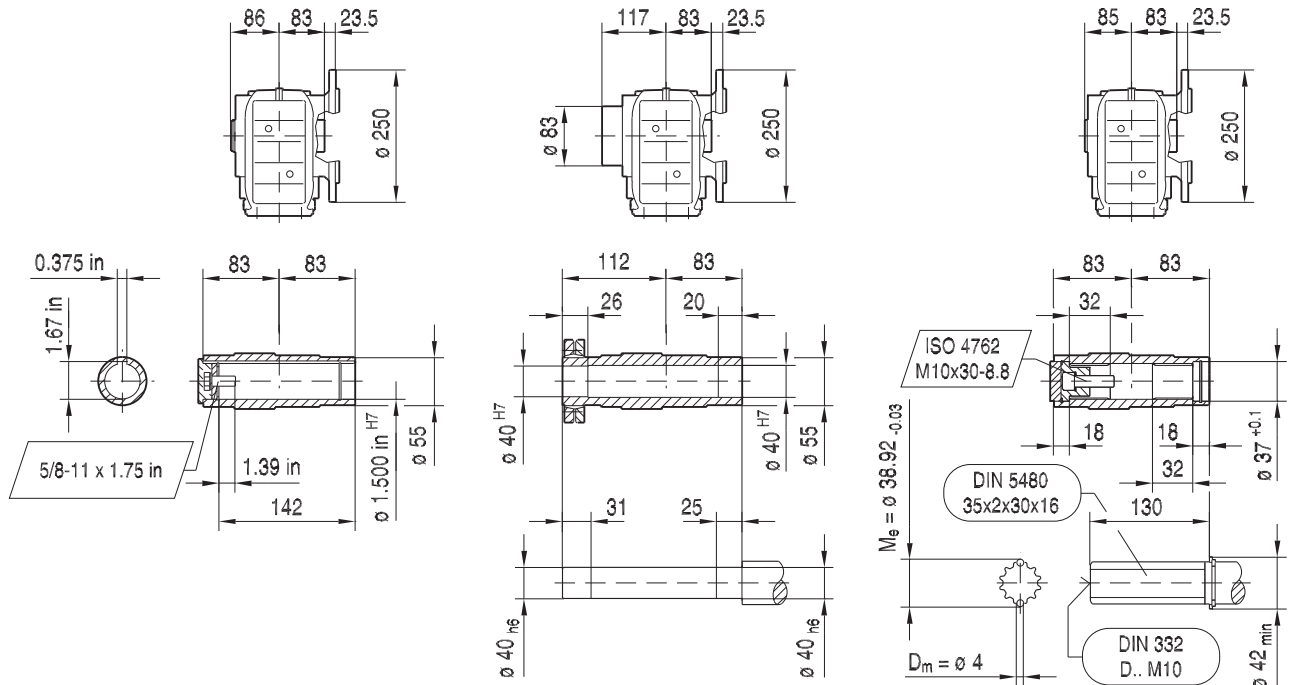


10

KAF57..

KHF57..

KVF57..



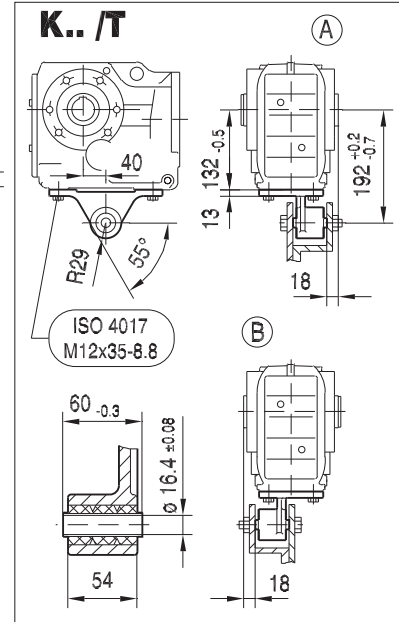
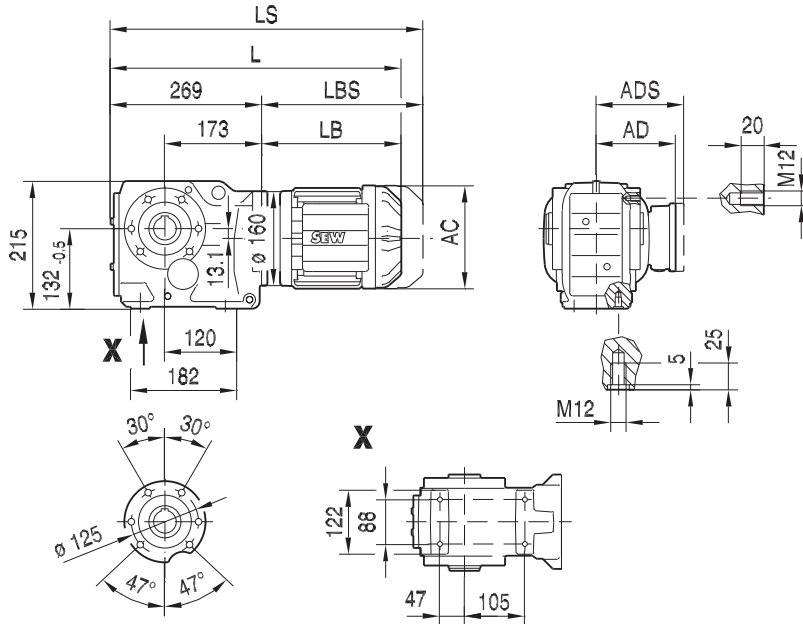
21933480/EN-US - 04/2018

(→ 163)	DRS71S	DRS71M	DRN80M	DRN90S	DRN90L	DRN100L/LM	DRN112M	DRN132S	DRN132M
AC	139	139	156	179	179	197	221	221	261
AD	119	119	128	140	140	157	170	170	228
ADS	129	129	139	150	150	158	172	172	228
L	465	490	544	546	578	624	655	709	727
LS	533	558	625	639	671	718	767	821	865
LB	196	221	275	277	309	355	386	440	458
LBS	264	289	356	370	402	449	498	552	596

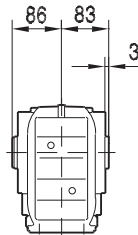
Dimensions in mm unless noted as inch. For all available output shaft diameters, see page 716. For tolerances, see page 163.

33 324 00 16

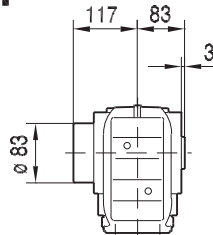
KA57..



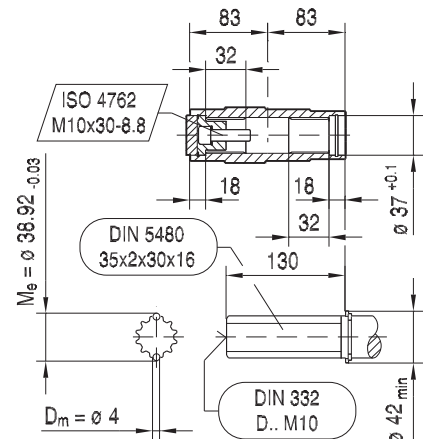
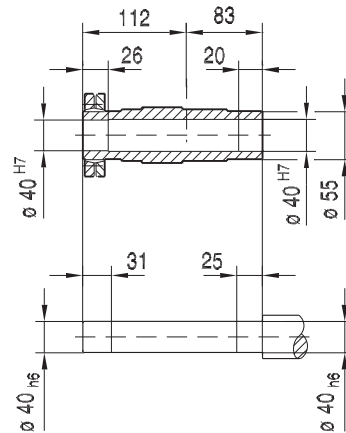
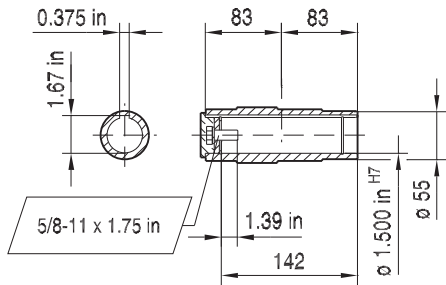
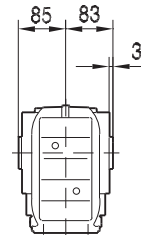
KA57..



KH57..



KV57..

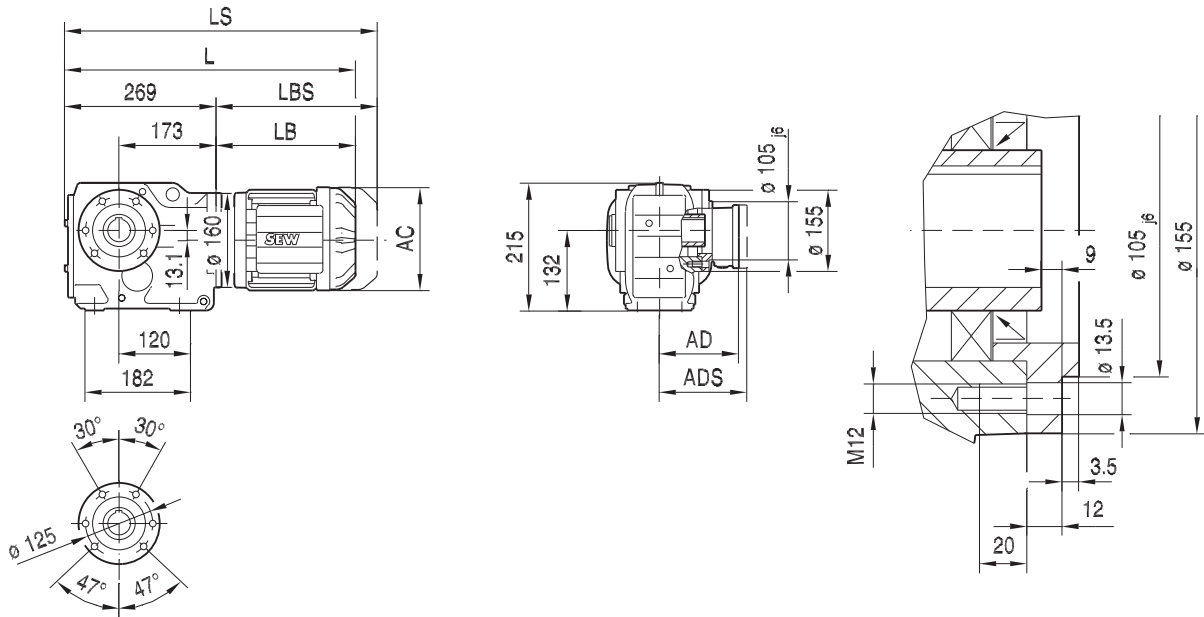


(→ 163)	DRS71S	DRS71M	DRN80M	DRN90S	DRN90L	DRN100L/LM	DRN112M	DRN132S	DRN132M
AC	139	139	156	179	179	197	221	221	261
AD	119	119	128	140	140	157	170	170	228
ADS	129	129	139	150	150	158	172	172	228
L	465	490	544	546	578	624	655	709	727
LS	533	558	625	639	671	718	767	821	865
LB	196	221	275	277	309	355	386	440	458
LBS	264	289	356	370	402	449	498	552	596

Dimensions in mm unless noted as inch. For all available output shaft diameters, see page 718. For tolerances, see page 163.

KAZ57..

33 325 00 16

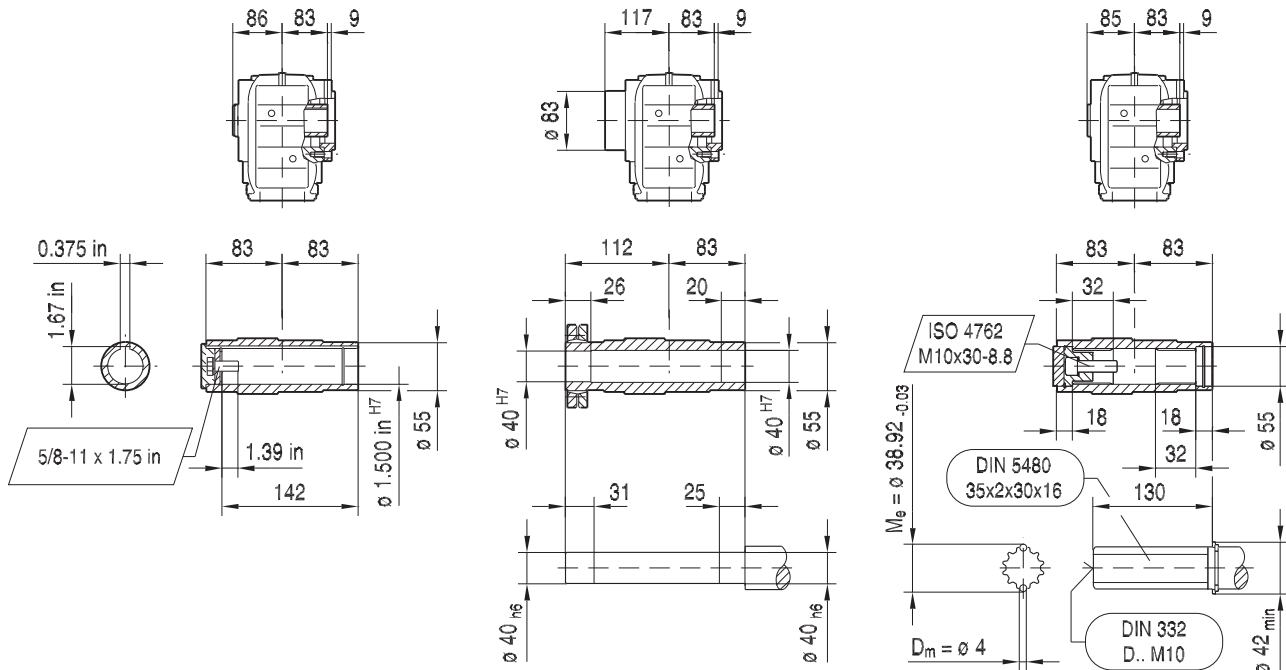


10

KAZ57..

KHZ57..

KVZ57..



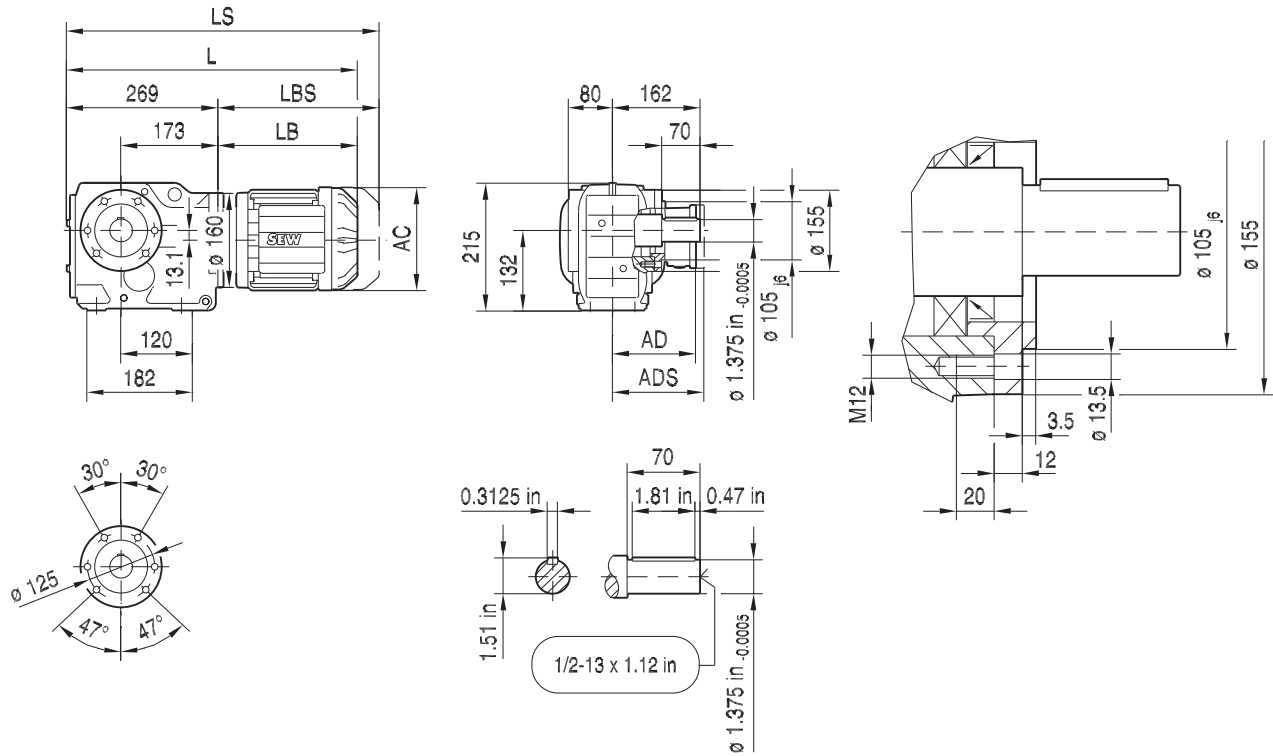
21933480/EN-US - 04/2018

(→ 163)	DRS71S	DRS71M	DRN80M	DRN90S	DRN90L	DRN100L/LM	DRN112M	DRN132S	DRN132M
AC	139	139	156	179	179	197	221	221	261
AD	119	119	128	140	140	157	170	170	228
ADS	129	129	139	150	150	158	172	172	228
L	465	490	544	546	578	624	655	709	727
LS	533	558	625	639	671	718	767	821	865
LB	196	221	275	277	309	355	386	440	458
LBS	264	289	356	370	402	449	498	552	596

Dimensions in mm unless noted as inch. For all available output shaft diameters, see page 718. For tolerances, see page 163.

33 326 00 16

KZ57..

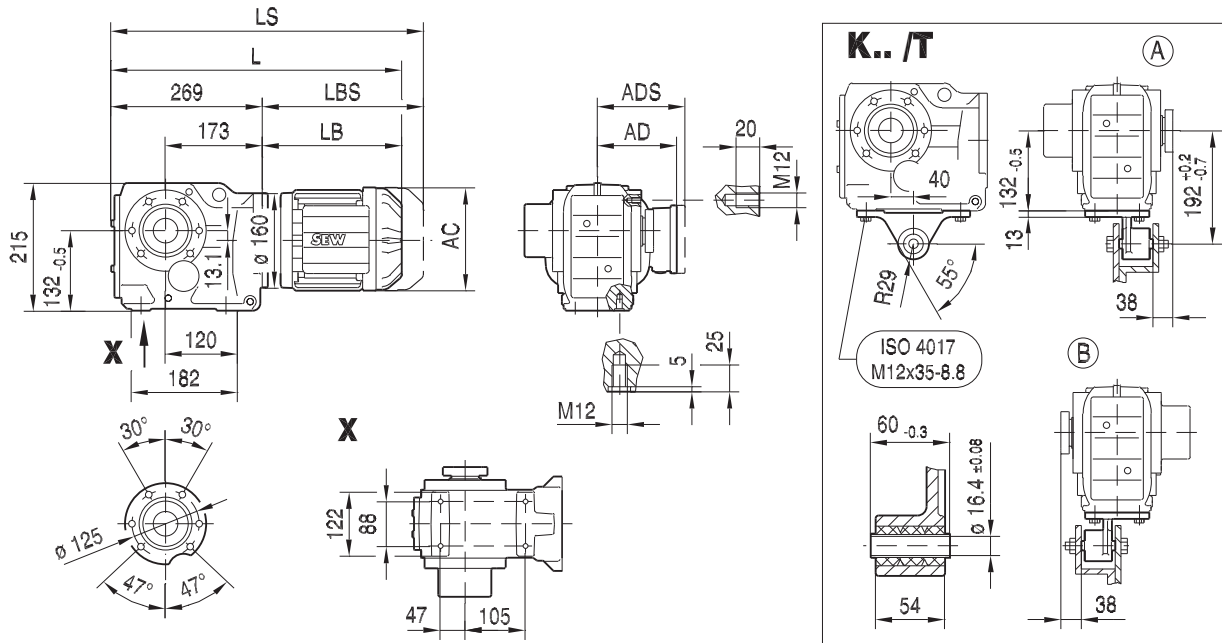


(→ 163)	DRS71S	DRS71M	DRN80M	DRN90S	DRN90L	DRN100L/LM	DRN112M	DRN132S	DRN132M
AC	139	139	156	179	179	197	221	221	261
AD	119	119	128	140	140	157	170	170	228
ADS	129	129	139	150	150	158	172	172	228
L	465	490	544	546	578	624	655	709	727
LS	533	558	625	639	671	718	767	821	865
LB	196	221	275	277	309	355	386	440	458
LBS	264	289	356	370	402	449	498	552	596

Dimensions in mm unless noted as inch. For all available output shaft diameters, see page 716. For tolerances, see page 163.

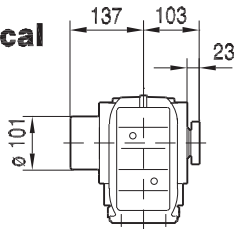
KT57..

33 327 00 16

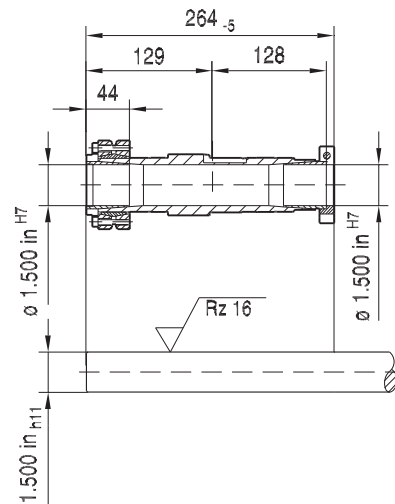
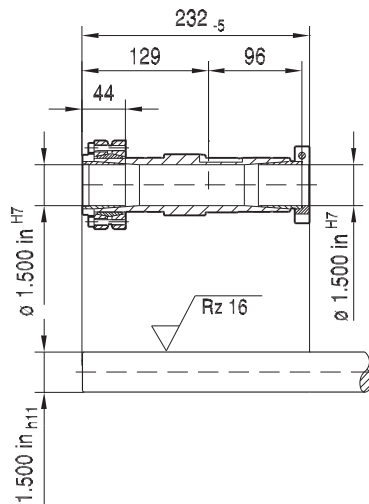
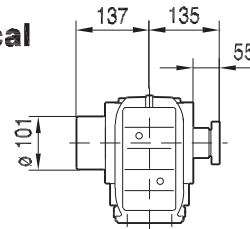


10

NON-Symmetrical



Symmetrical



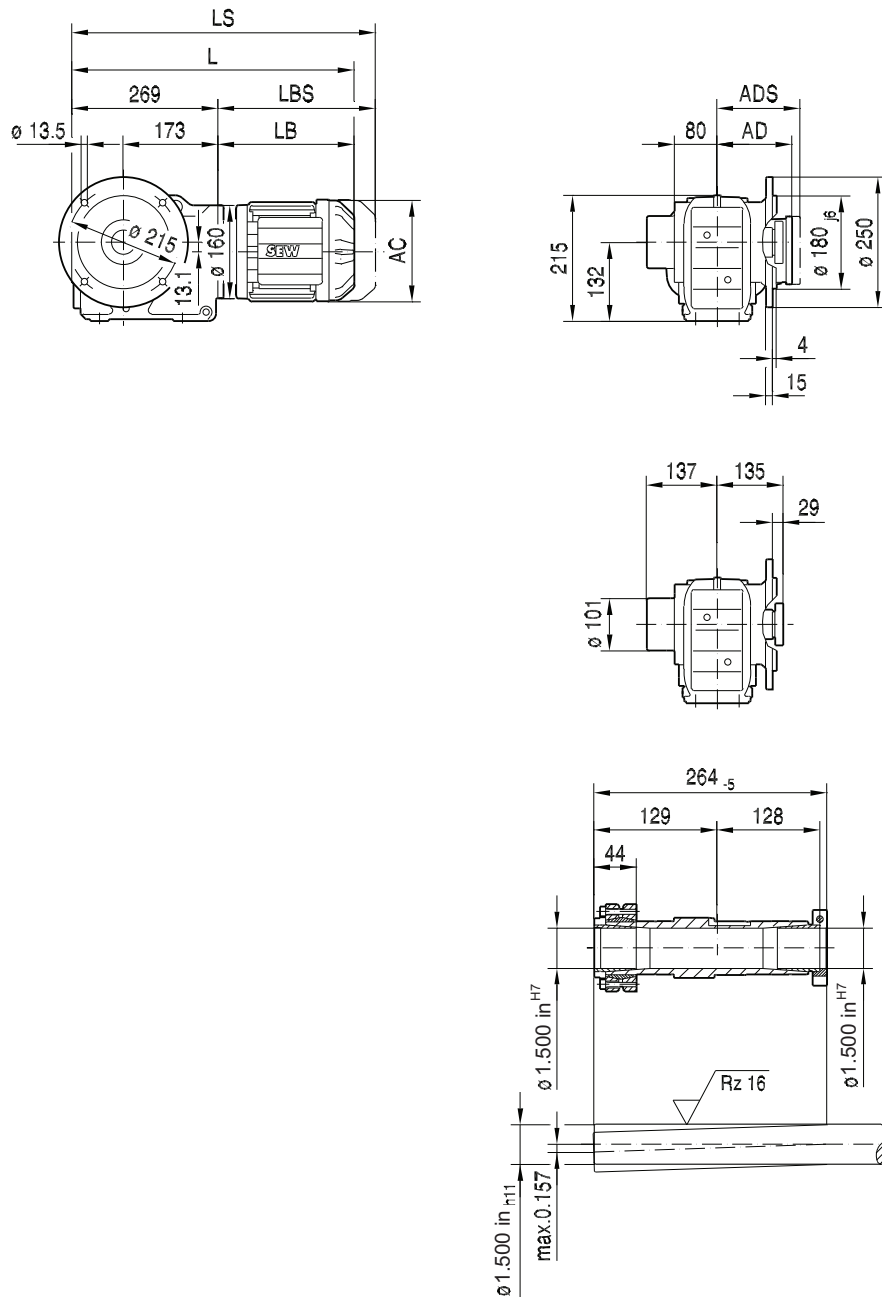
(→ 163)	DRS71S	DRS71M	DRN80M	DRN90S	DRN90L	DRN100L/LM	DRN112M	DRN132S	DRN132M
AC	139	139	156	179	179	197	221	221	261
AD	119	119	128	140	140	157	170	170	228
ADS	129	129	139	150	150	158	172	172	228
L	465	490	544	546	578	624	655	709	727
LS	533	558	625	639	671	718	767	821	865
LB	196	221	275	277	309	355	386	440	458
LBS	264	289	356	370	402	449	498	552	596

Dimensions in mm unless noted as inch. For all available output shaft diameters, see page 720. For tolerances, see page 163.

21933480/EN-US - 04/2018

33 097 02 13 US

KTF57..

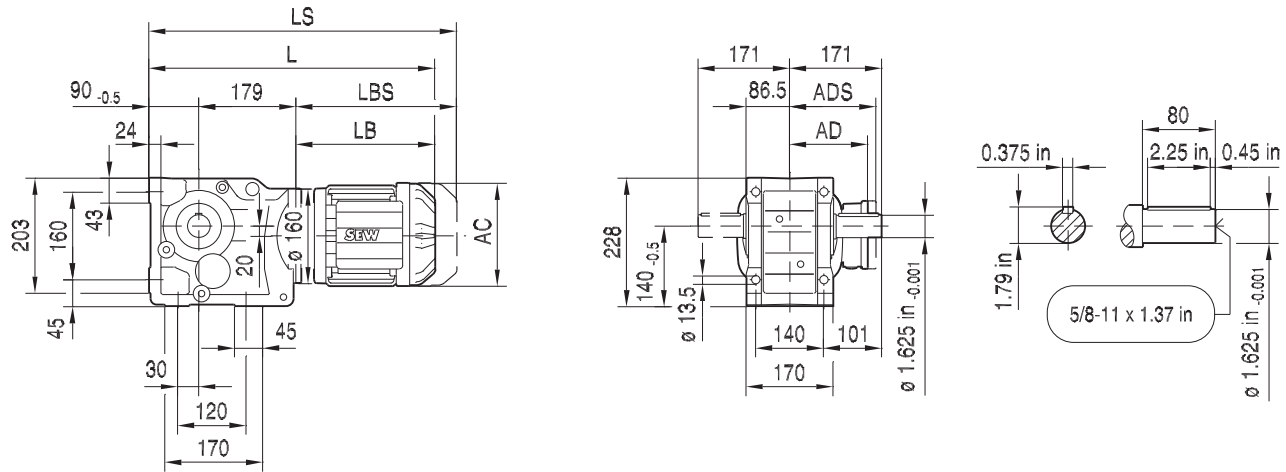


(→ 163)	DRS71S	DRS71M	DRN80M	DRN90S	DRN90L	DRN100L/LM	DRN112M	DRN132S	DRN132M
AC	139	139	156	179	179	197	221	221	261
AD	119	119	128	140	140	157	170	170	228
ADS	129	129	139	150	150	158	172	172	228
L	465	490	544	546	578	624	655	709	727
LS	533	558	625	639	671	718	767	821	865
LB	196	221	275	277	309	355	386	440	458
LBS	264	289	356	370	402	449	498	552	596

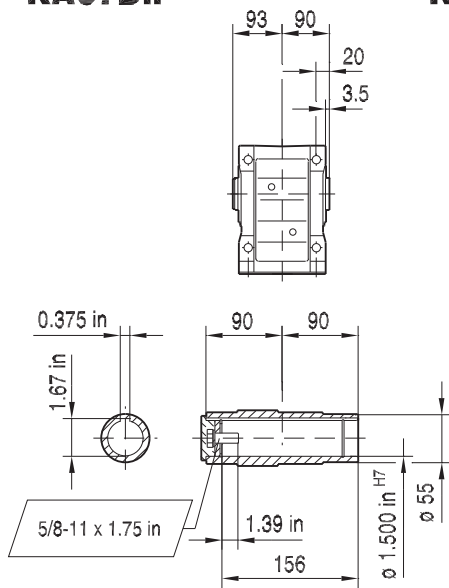
Dimensions in mm unless noted as inch. For all available output shaft diameters, see page 720. For tolerances, see page 163.

33 328 00 16

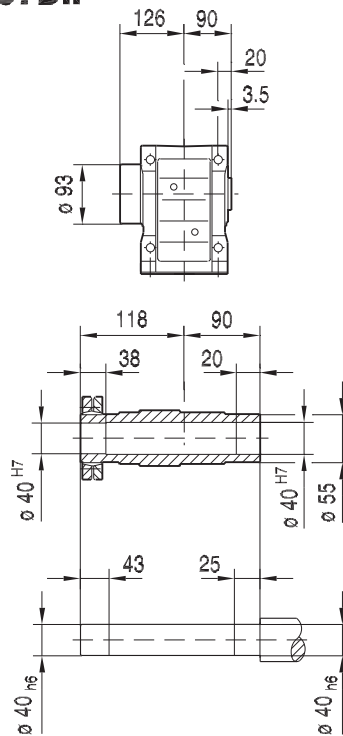
K67..



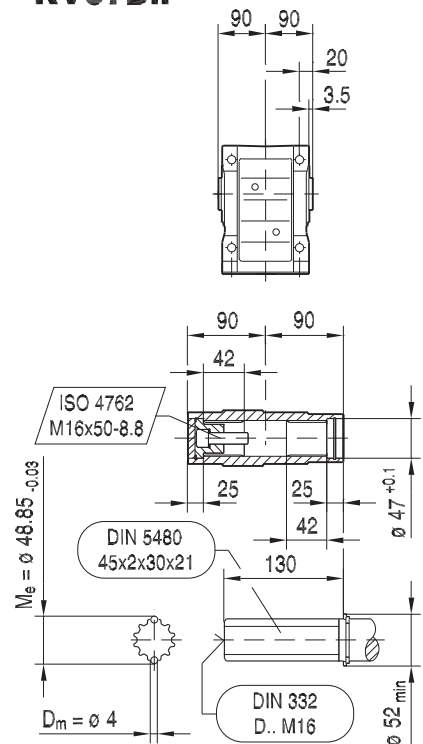
KA67B..



KH67B..



KV67B..



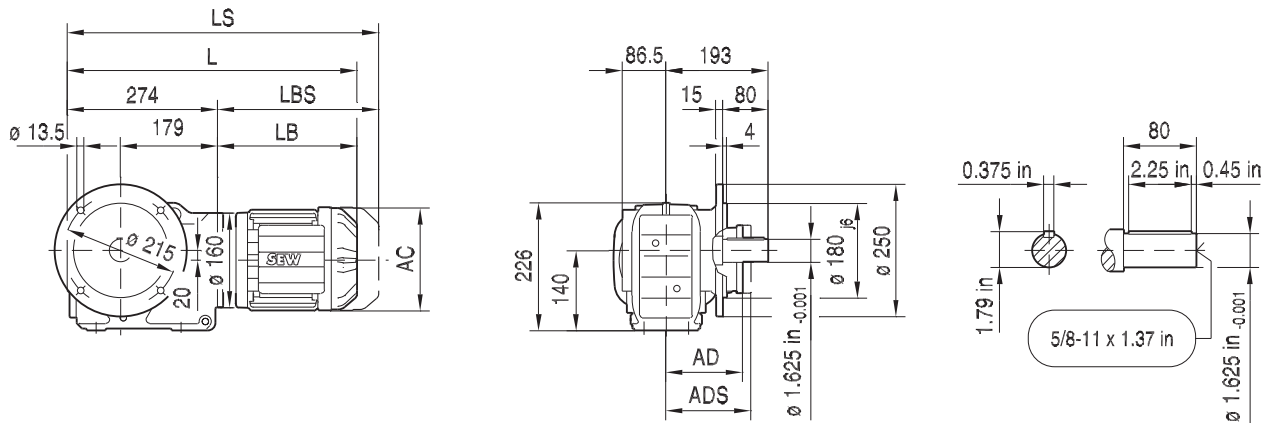
(→ 163)	DR63	DRS71S	DRS71M	DRN80M	DRN90S	DRN90L	DRN100L/LM	DRN112M	DRN132S	DRN132M
AC	132	139	139	156	179	179	197	221	221	261
AD	105	119	119	128	140	140	157	170	170	228
ADS	105	129	129	139	150	150	158	172	172	228
L	454	465	490	544	546	578	624	655	709	727
LS	509	533	558	625	639	671	718	767	821	865
LB	185	196	221	275	277	309	355	386	440	458
LBS	240	264	289	356	370	402	449	498	552	596

Dimensions in mm unless noted as inch. For all available output shaft diameters, see page 716. For tolerances, see page 163.

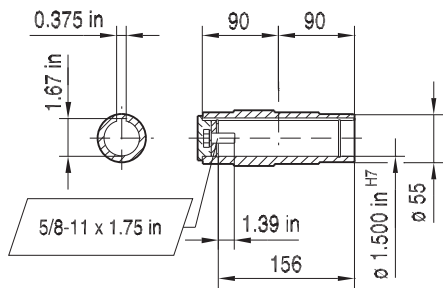
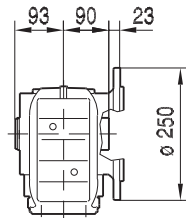
21933480/EN-US - 04/2018

33 329 00 16

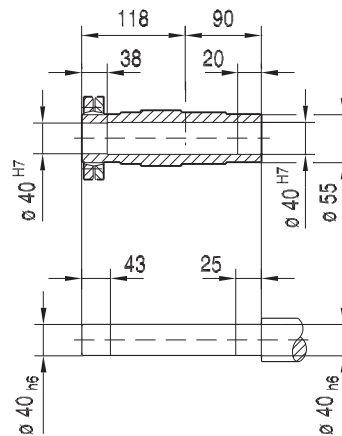
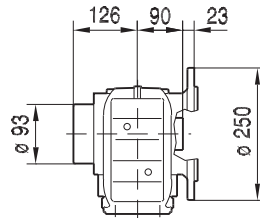
KF67..



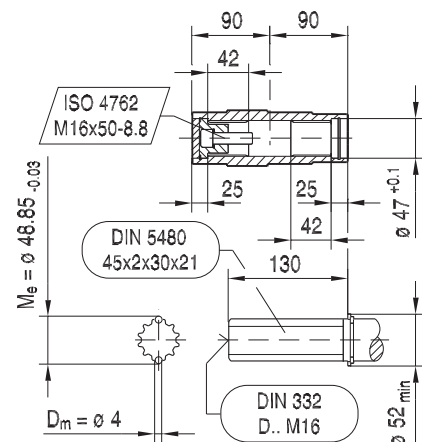
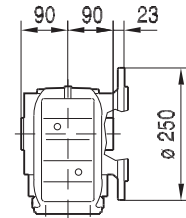
KAF67..



KHF67..



KVF67..

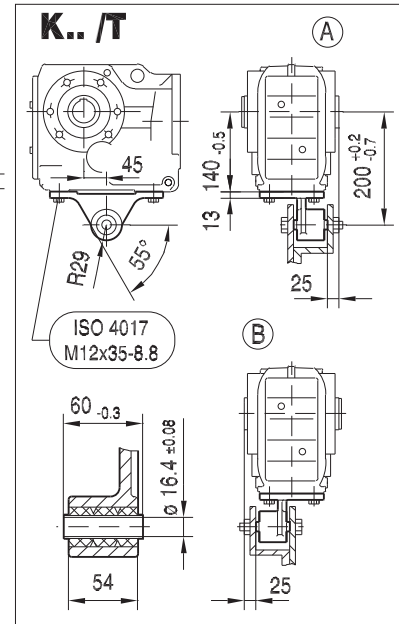
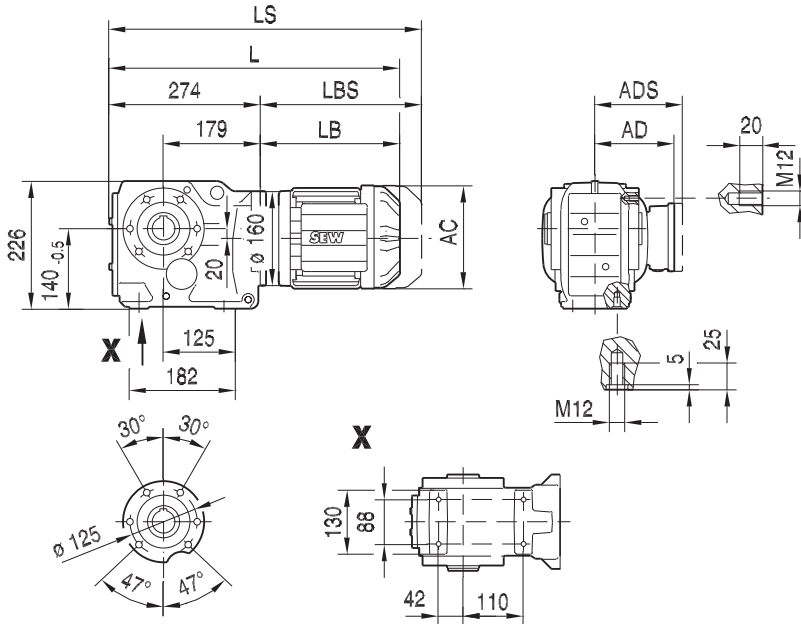


(→ 163)	DR63	DRS71S	DRS71M	DRN80M	DRN90S	DRN90L	DRN100L/LM	DRN112M	DRN132S	DRN132M
AC	132	139	139	156	179	179	197	221	221	261
AD	105	119	119	128	140	140	157	170	170	228
ADS	105	129	129	139	150	150	158	172	172	228
L	459	470	495	549	551	583	629	660	714	732
LS	514	538	563	630	644	676	723	772	826	870
LB	185	196	221	275	277	309	355	386	440	458
LBS	240	264	289	356	370	402	449	498	552	596

Dimensions in mm unless noted as inch. For all available output shaft diameters, see page 716. For tolerances, see page 163.

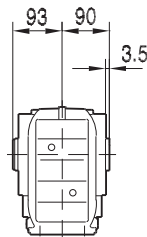
33 330 00 16

KA67..

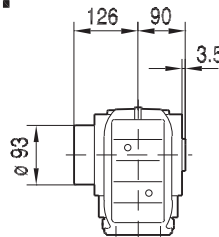


10

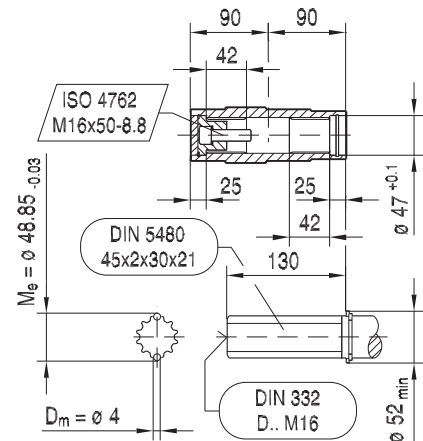
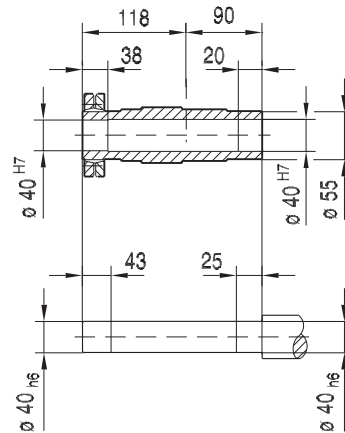
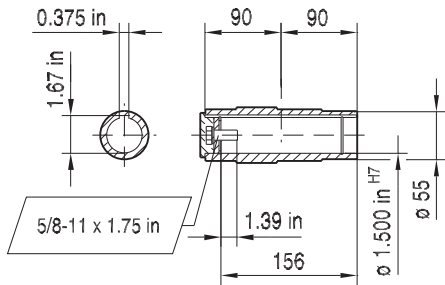
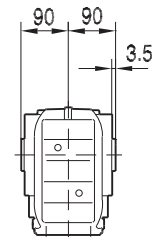
KA67..



KH67..



KV67..

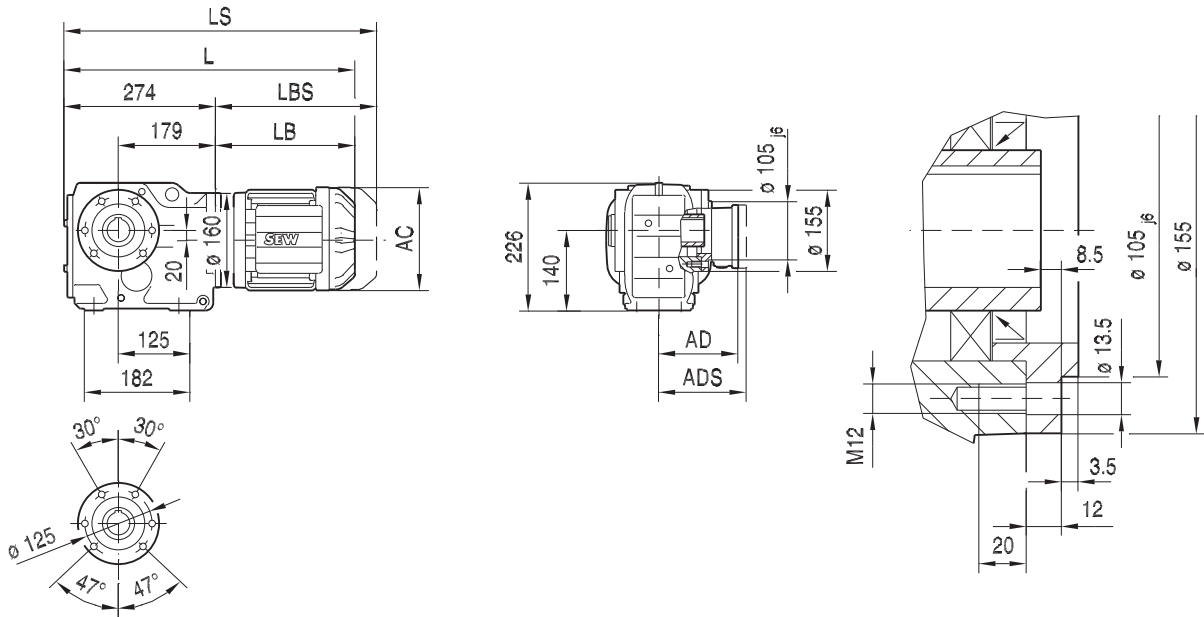


(→ 163)	DR63	DRS71S	DRS71M	DRN80M	DRN90S	DRN90L	DRN100L/LM	DRN112M	DRN132S	DRN132M
AC	132	139	139	156	179	179	197	221	221	261
AD	105	119	119	128	140	140	157	170	170	228
ADS	105	129	129	139	150	150	158	172	172	228
L	459	470	495	549	551	583	629	660	714	732
LS	514	538	563	630	644	676	723	772	826	870
LB	185	196	221	275	277	309	355	386	440	458
LBS	240	264	289	356	370	402	449	498	552	596

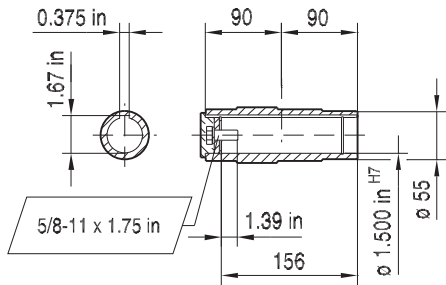
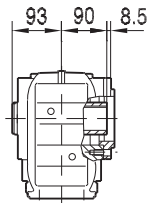
Dimensions in mm unless noted as inch. For all available output shaft diameters, see page 718. For tolerances, see page 163.

21933480/EN-US - 04/2018

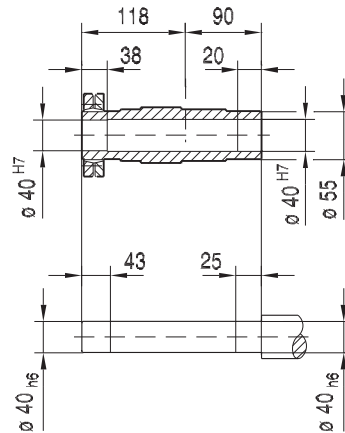
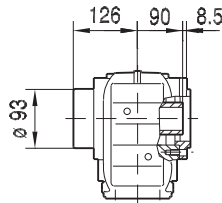
KAZ67..



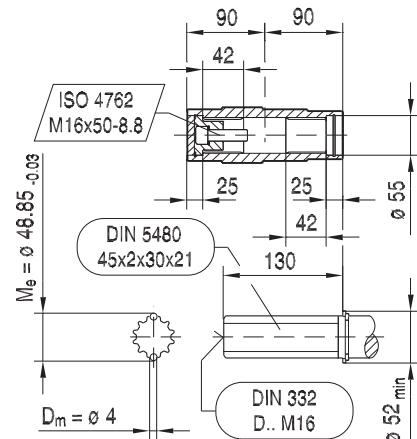
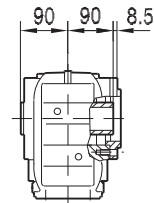
KAZ67..



KHZ67..



KVZ67..

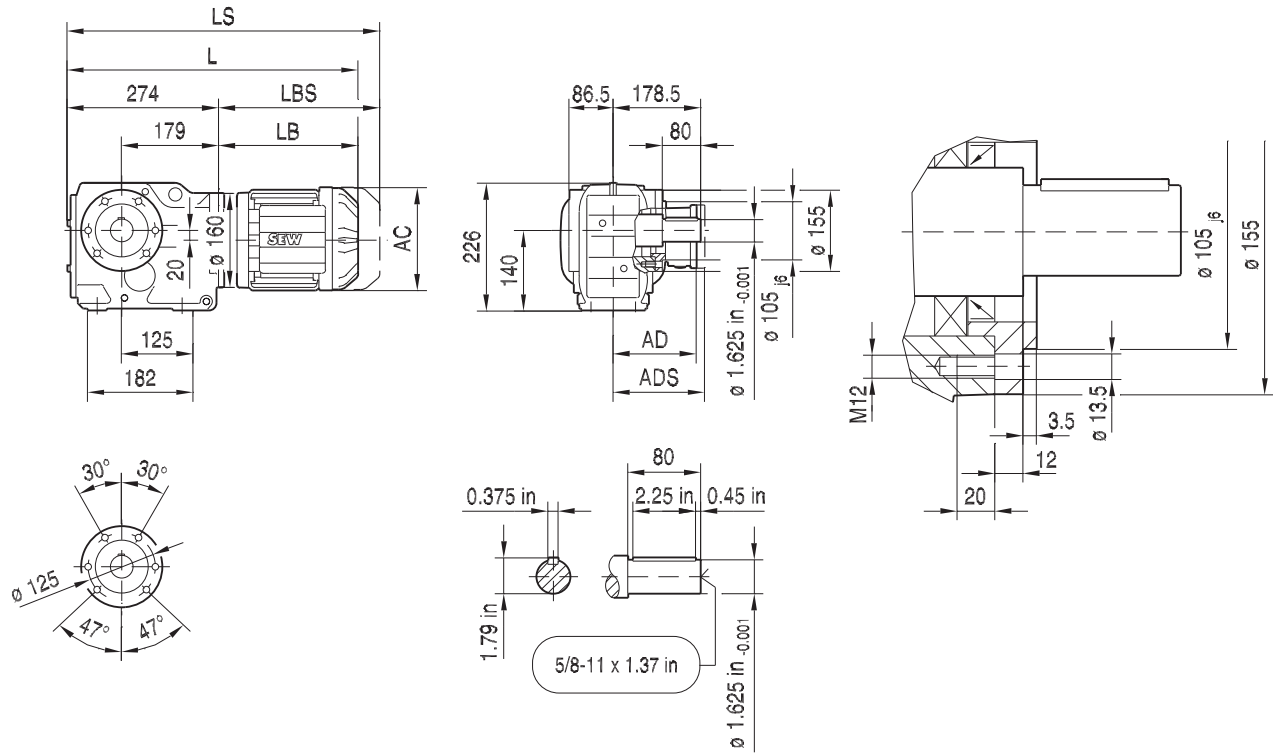


(→ 163)	DR63	DRS71S	DRS71M	DRN80M	DRN90S	DRN90L	DRN100L/LM	DRN112M	DRN132S	DRN132M
AC	132	139	139	156	179	179	197	221	221	261
AD	105	119	119	128	140	140	157	170	170	228
ADS	105	129	129	139	150	150	158	172	172	228
L	459	470	495	549	551	583	629	660	714	732
LS	514	538	563	630	644	676	723	772	826	870
LB	185	196	221	275	277	309	355	386	440	458
LBS	240	264	289	356	370	402	449	498	552	596

Dimensions in mm unless noted as inch. For all available output shaft diameters, see page 718. For tolerances, see page 163.

KZ67..

33 332 00 16



10

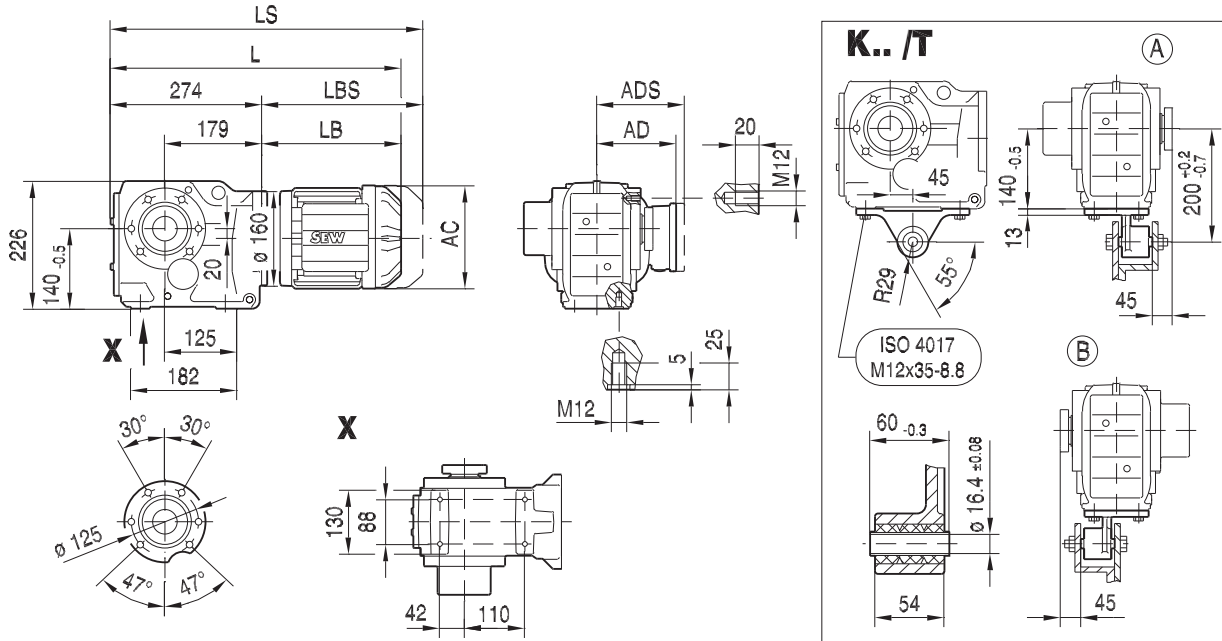
21933480/EN-US - 04/2018

(→ 163)	DR63	DRS71S	DRS71M	DRN80M	DRN90S	DRN90L	DRN100L/LM	DRN112M	DRN132S	DRN132M
AC	132	139	139	156	179	179	197	221	221	261
AD	105	119	119	128	140	140	157	170	170	228
ADS	105	129	129	139	150	150	158	172	172	228
L	459	470	495	549	551	583	629	660	714	732
LS	514	538	563	630	644	676	723	772	826	870
LB	185	196	221	275	277	309	355	386	440	458
LBS	240	264	289	356	370	402	449	498	552	596

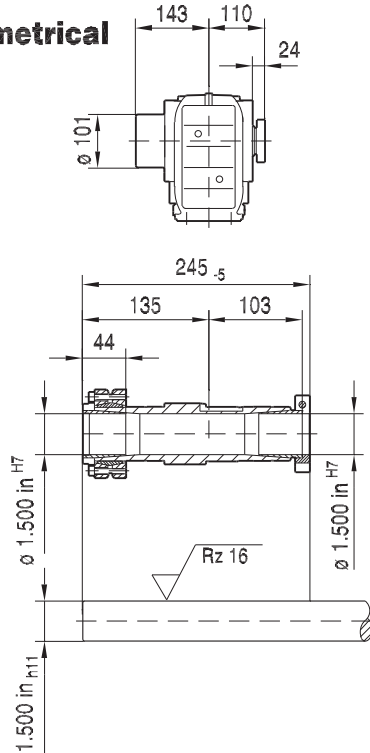
Dimensions in mm unless noted as inch. For all available output shaft diameters, see page 716. For tolerances, see page 163.

33 333 00 16

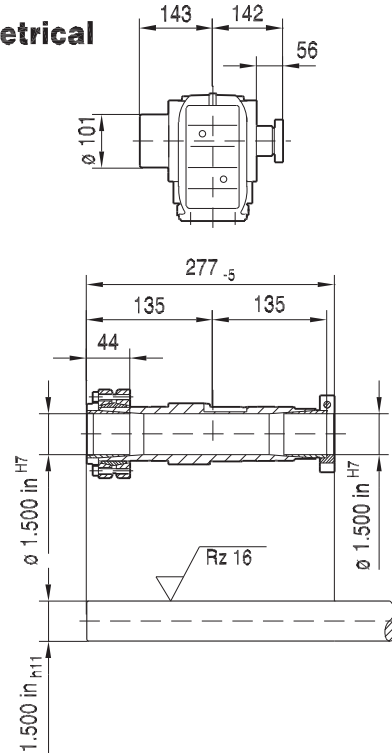
KT67..



NON-Symmetrical



Symmetrical

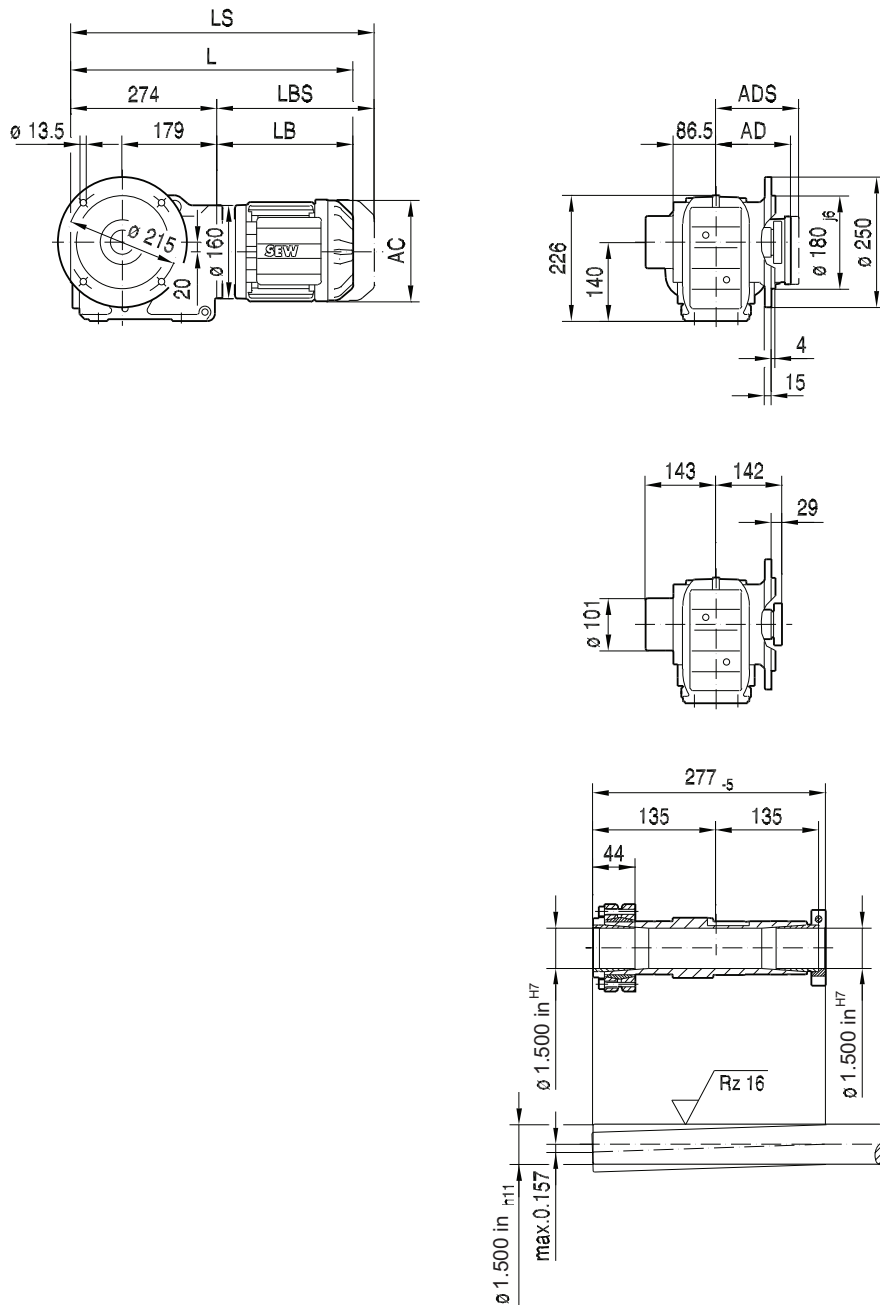


(→ 163)	DR63	DRS71S	DRS71M	DRN80M	DRN90S	DRN90L	DRN100L/LM	DRN112M	DRN132S	DRN132M
AC	132	139	139	156	179	179	197	221	221	261
AD	105	119	119	128	140	140	157	170	170	228
ADS	105	129	129	139	150	150	158	172	172	228
L	459	470	495	549	551	583	629	660	714	732
LS	514	538	563	630	644	676	723	772	826	870
LB	185	196	221	275	277	309	355	386	440	458
LBS	240	264	289	356	370	402	449	498	552	596

Dimensions in mm unless noted as inch. For all available output shaft diameters, see page 720. For tolerances, see page 163.

KTF67..

33 098 02 13 US



10

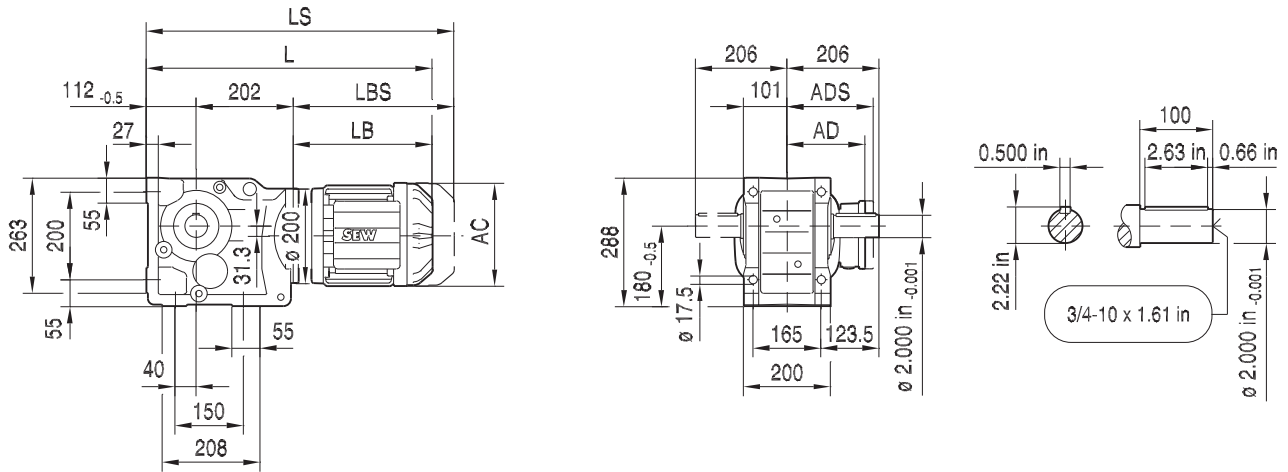
21933480/EN-US - 04/2018

(→ 163)	DR63	DRS71S	DRS71M	DRN80M	DRN90S	DRN90L	DRN100L/LM	DRN112M	DRN132S	DRN132M
AC	132	139	139	156	179	179	197	221	221	261
AD	105	119	119	128	140	140	157	170	170	228
ADS	105	129	129	139	150	150	158	172	172	228
L	459	470	495	549	551	583	629	660	714	732
LS	514	538	563	630	644	676	723	772	826	870
LB	185	196	221	275	277	309	355	386	440	458
LBS	240	264	289	356	370	402	449	498	552	596

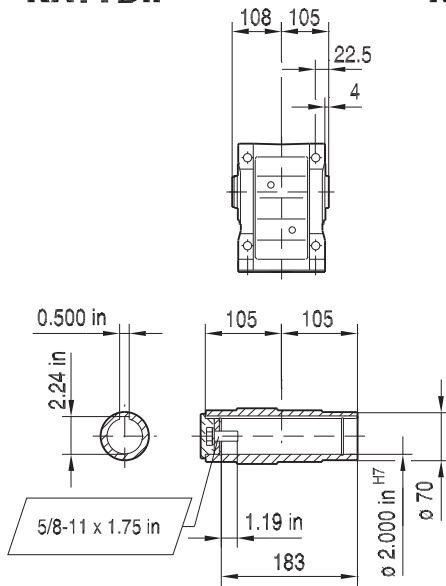
Dimensions in mm unless noted as inch. For all available output shaft diameters, see page 720. For tolerances, see page 163.

33 334 00 16

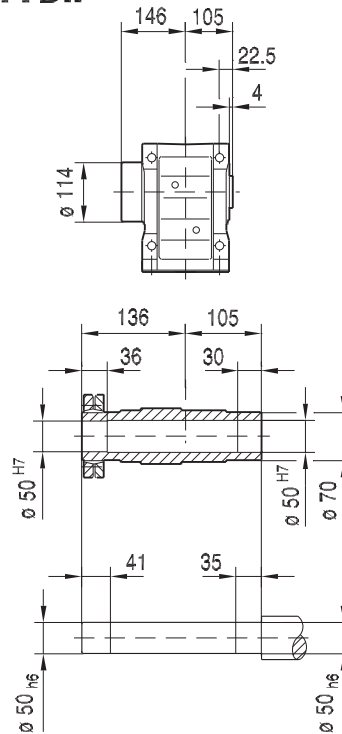
K77..



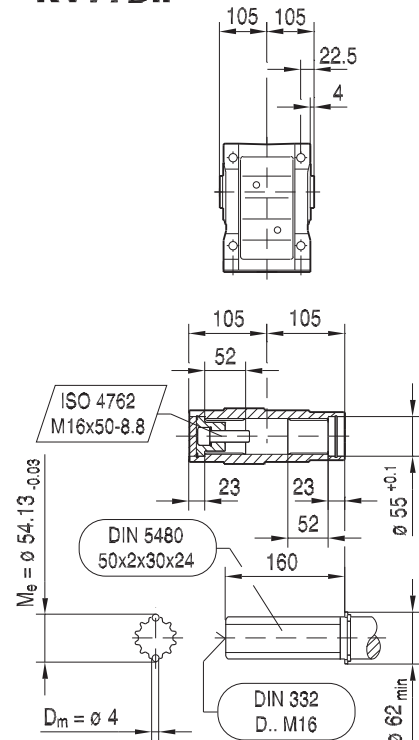
KA77B..



KH77B..



KV77B..



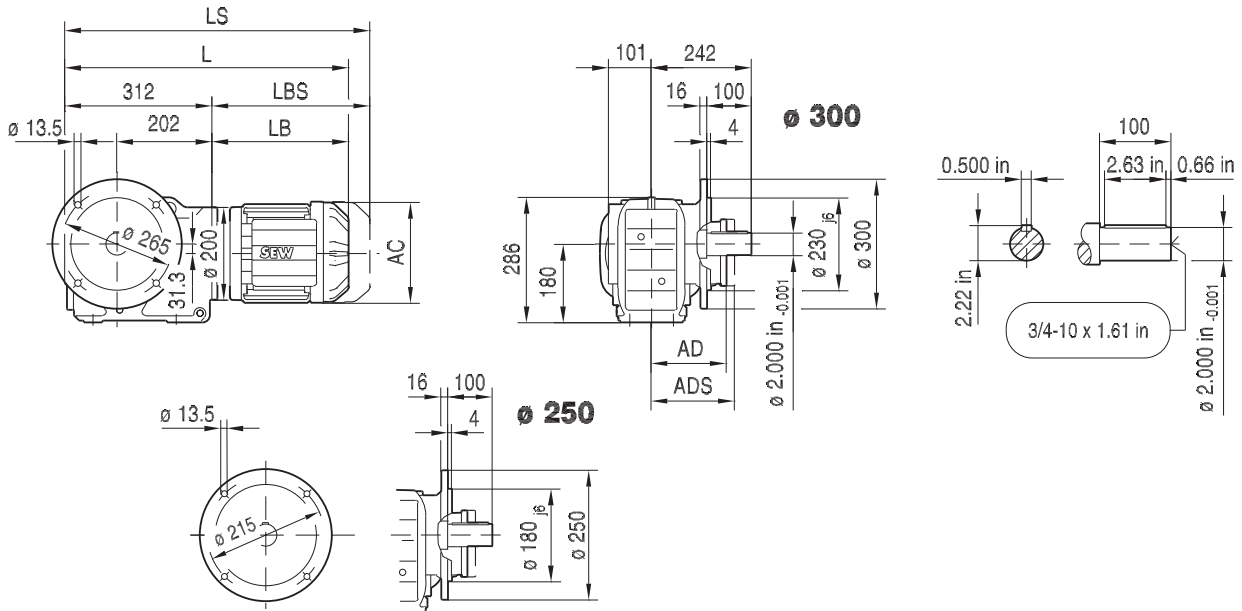
(→ 163)	DRN80M	DRN90S	DRN90L	DRN100L/LM	DRN112M	DRN132S	DRN132M	DRN132L	DRN160
AC	156	179	179	197	221	221	261	261	314
AD	128	140	140	157	170	170	228	228	253
ADS	139	150	150	158	172	172	228	228	253
L	582	584	616	662	693	743	761	787	853
LS	663	677	709	756	805	855	899	924	1042
LB	268	270	302	348	379	429	447	473	539
LBS	349	363	395	442	491	541	585	610	728

Dimensions in mm unless noted as inch. For all available output shaft diameters, see page 716. For tolerances, see page 163.

221933480/EN-US - 04/2018

33 335 00 16US

KF77..

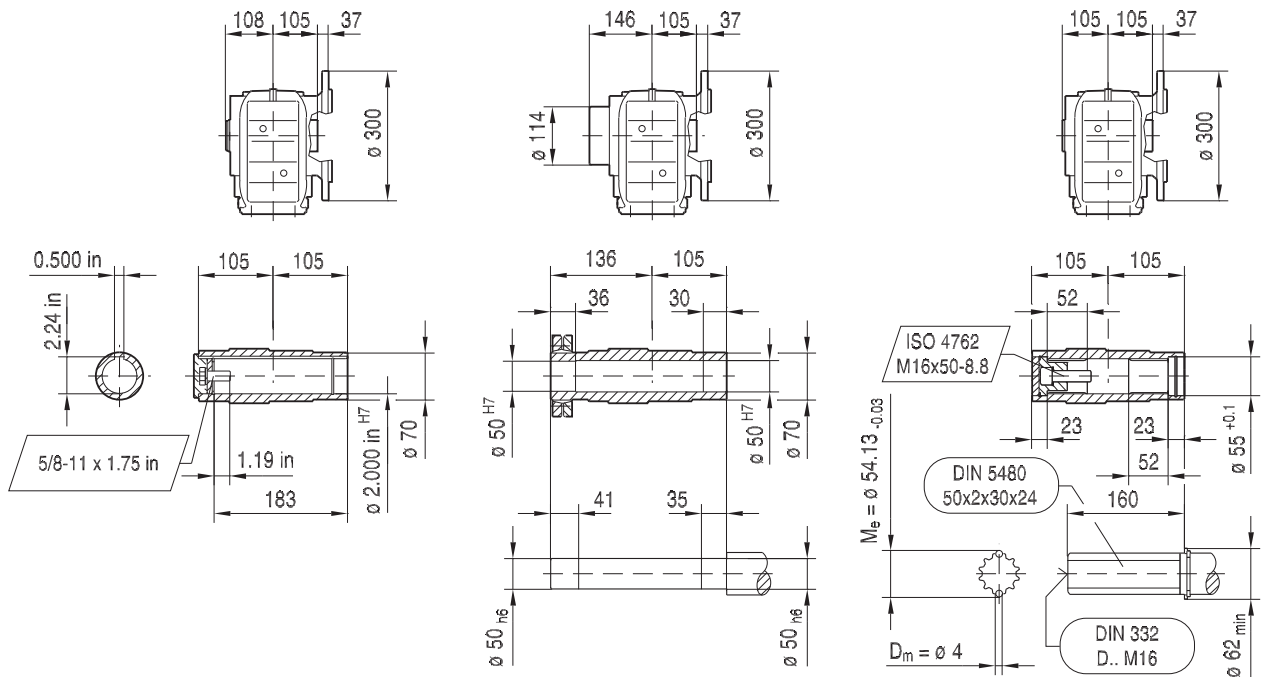


10

KAF77..

KHF77..

KVF77..



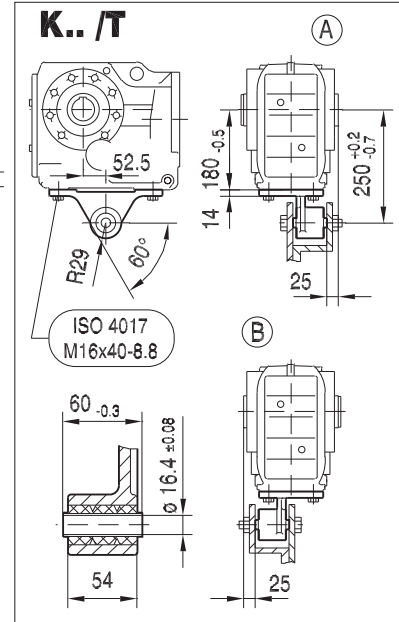
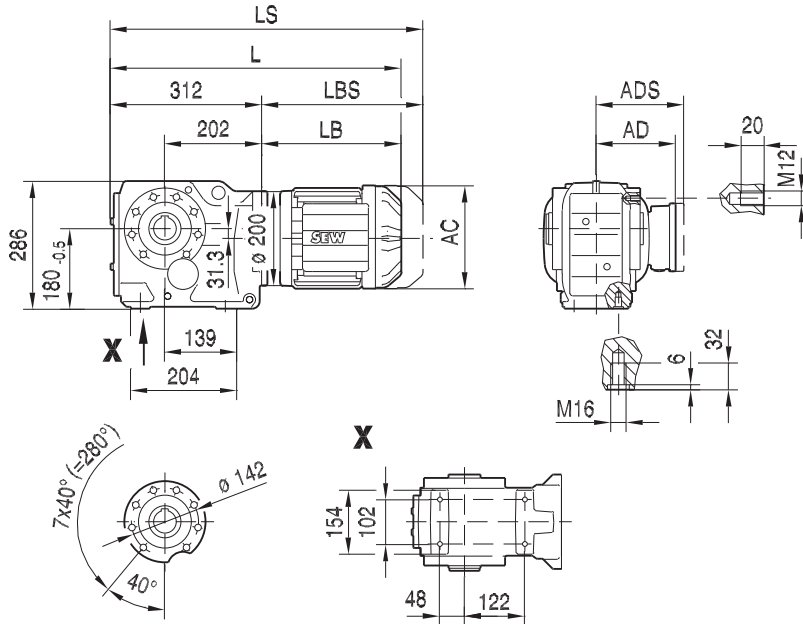
21933480/EN-US - 04/2018

(→ 163)	DRN80M	DRN90S	DRN90L	DRN100L/LM	DRN112M	DRN132S	DRN132M	DRN132L	DRN160
AC	156	179	179	197	221	221	261	261	314
AD	128	140	140	157	170	170	228	228	253
ADS	139	150	150	158	172	172	228	228	253
L	580	582	614	660	691	741	759	785	851
LS	661	675	707	754	803	853	897	922	1040
LB	268	270	302	348	379	429	447	473	539
LBS	349	363	395	442	491	541	585	610	728

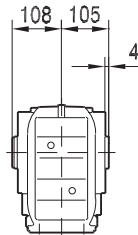
Dimensions in mm unless noted as inch. For all available output shaft diameters, see page 716. For tolerances, see page 163.

33 336 00 16

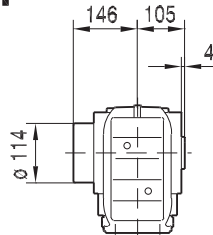
KA77..



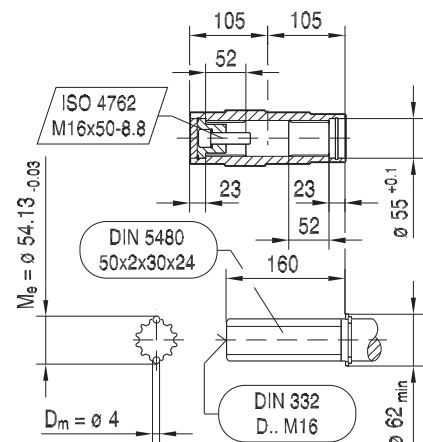
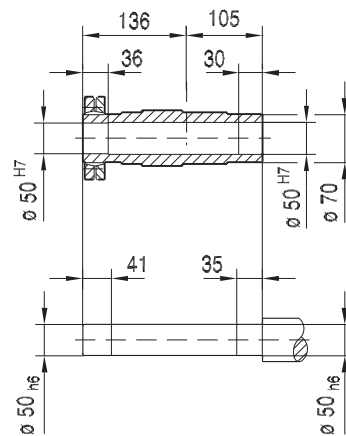
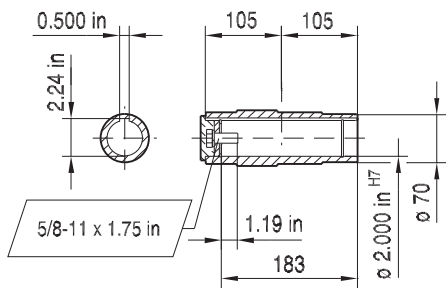
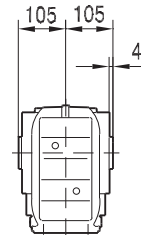
KA77..



KH77..



KV77..

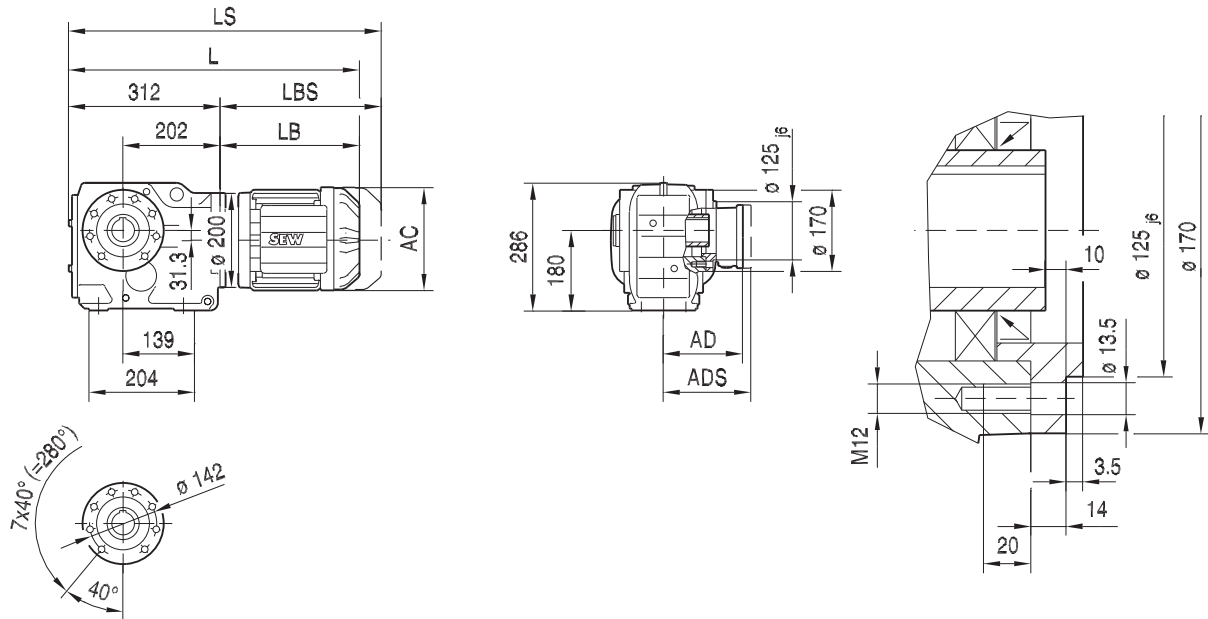


(→ 163)	DRN80M	DRN90S	DRN90L	DRN100L/LM	DRN112M	DRN132S	DRN132M	DRN132L	DRN160
AC	156	179	179	197	221	221	261	261	314
AD	128	140	140	157	170	170	228	228	253
ADS	139	150	150	158	172	172	228	228	253
L	580	582	614	660	691	741	759	785	851
LS	661	675	707	754	803	853	897	922	1040
LB	268	270	302	348	379	429	447	473	539
LBS	349	363	395	442	491	541	585	610	728

Dimensions in mm unless noted as inch. For all available output shaft diameters, see page 718. For tolerances, see page 163.

KAZ77..

33 337 00 16

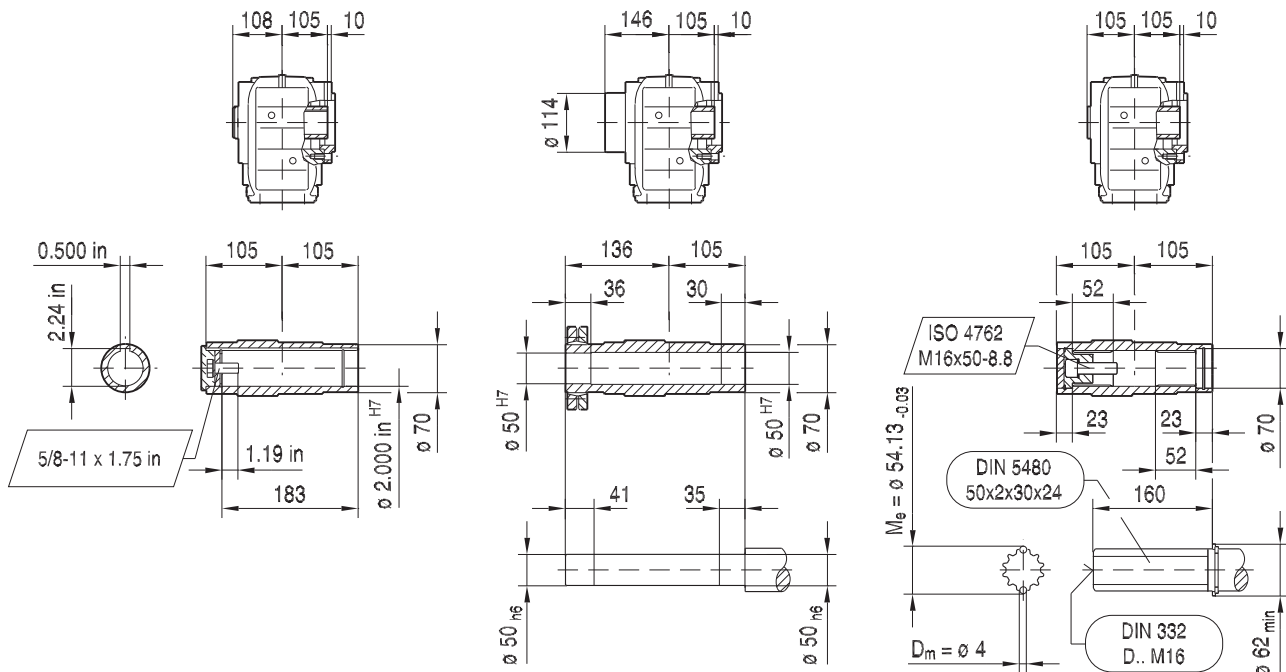


10

KAZ77..

KHZ77..

KVZ77..



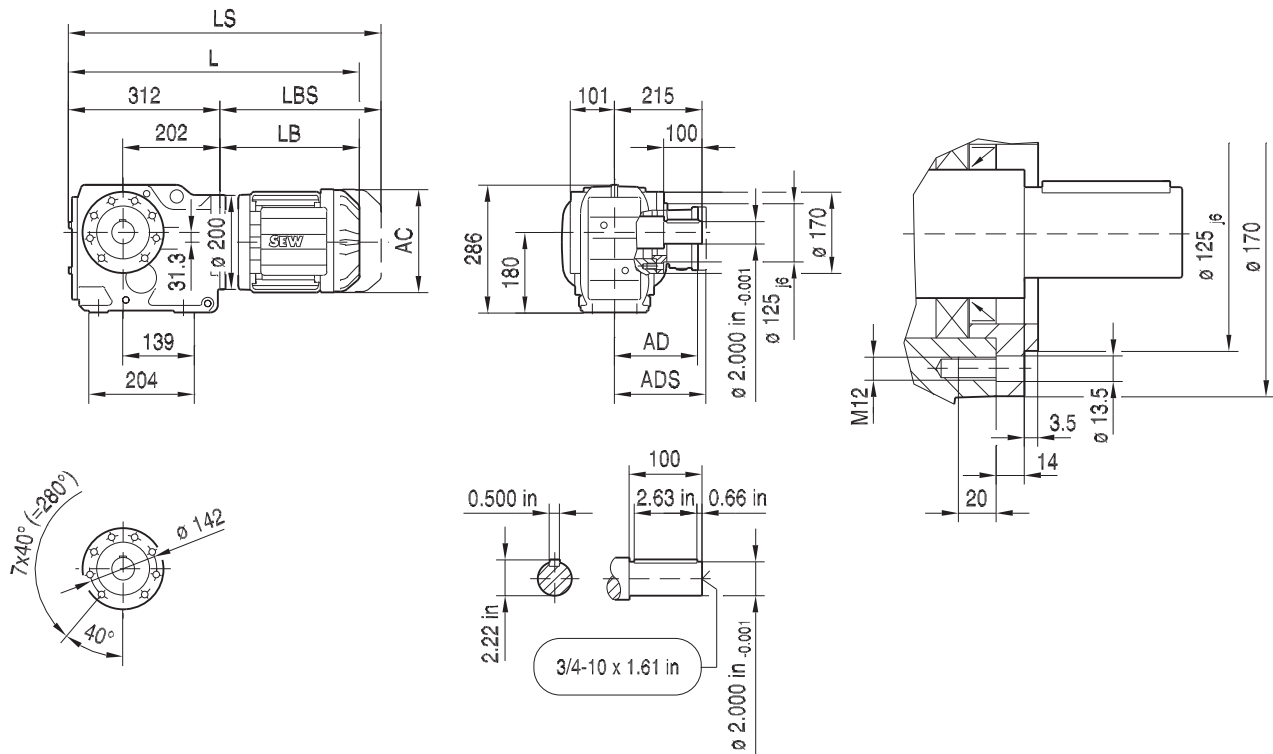
(→ 163)	DRN80M	DRN90S	DRN90L	DRN100L/LM	DRN112M	DRN132S	DRN132M	DRN132L	DRN160
AC	156	179	179	197	221	221	261	261	314
AD	128	140	140	157	170	170	228	228	253
ADS	139	150	150	158	172	172	228	228	253
L	580	582	614	660	691	741	759	785	851
LS	661	675	707	754	803	853	897	922	1040
LB	268	270	302	348	379	429	447	473	539
LBS	349	363	395	442	491	541	585	610	728

Dimensions in mm unless noted as inch. For all available output shaft diameters, see page 718. For tolerances, see page 163.

21933480/EN-US - 04/2018

33 338 00 16

KZ77..

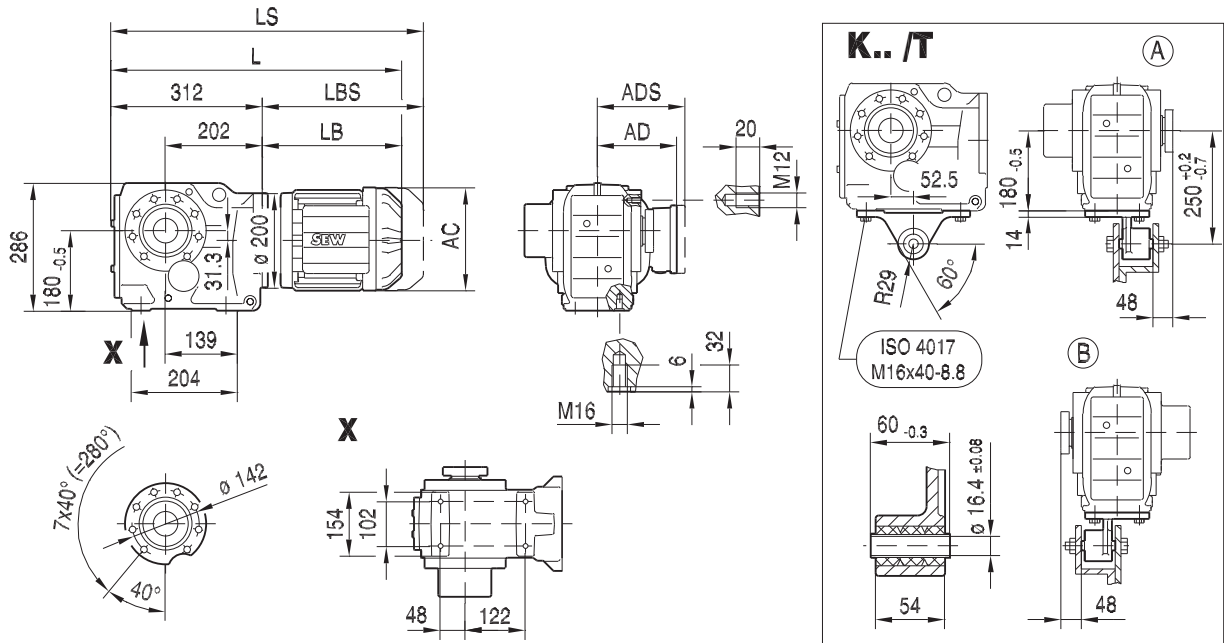


(→ 163)	DRN80M	DRN90S	DRN90L	DRN100L/LM	DRN112M	DRN132S	DRN132M	DRN132L	DRN160
AC	156	179	179	197	221	221	261	261	314
AD	128	140	140	157	170	170	228	228	253
ADS	139	150	150	158	172	172	228	228	253
L	580	582	614	660	691	741	759	785	851
LS	661	675	707	754	803	853	897	922	1040
LB	268	270	302	348	379	429	447	473	539
LBS	349	363	395	442	491	541	585	610	728

Dimensions in mm unless noted as inch. For all available output shaft diameters, see page 716. For tolerances, see page 163.

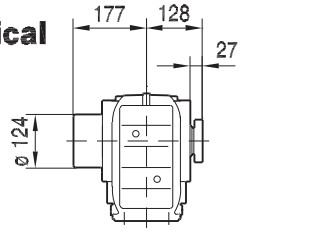
KT77..

33 339 00 16

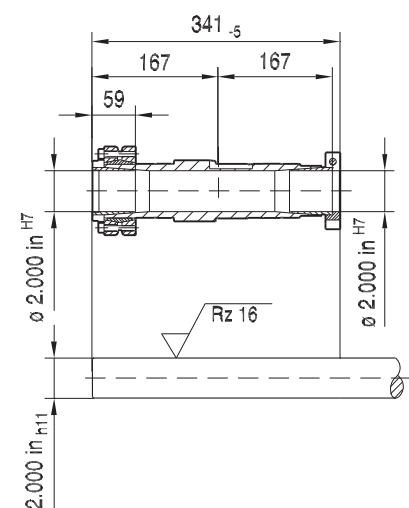
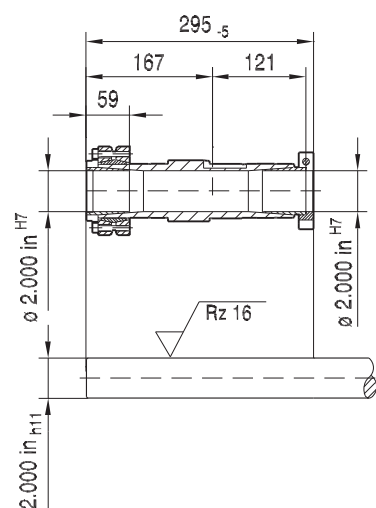
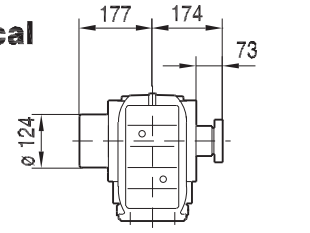


10

NON-Symmetrical



Symmetrical



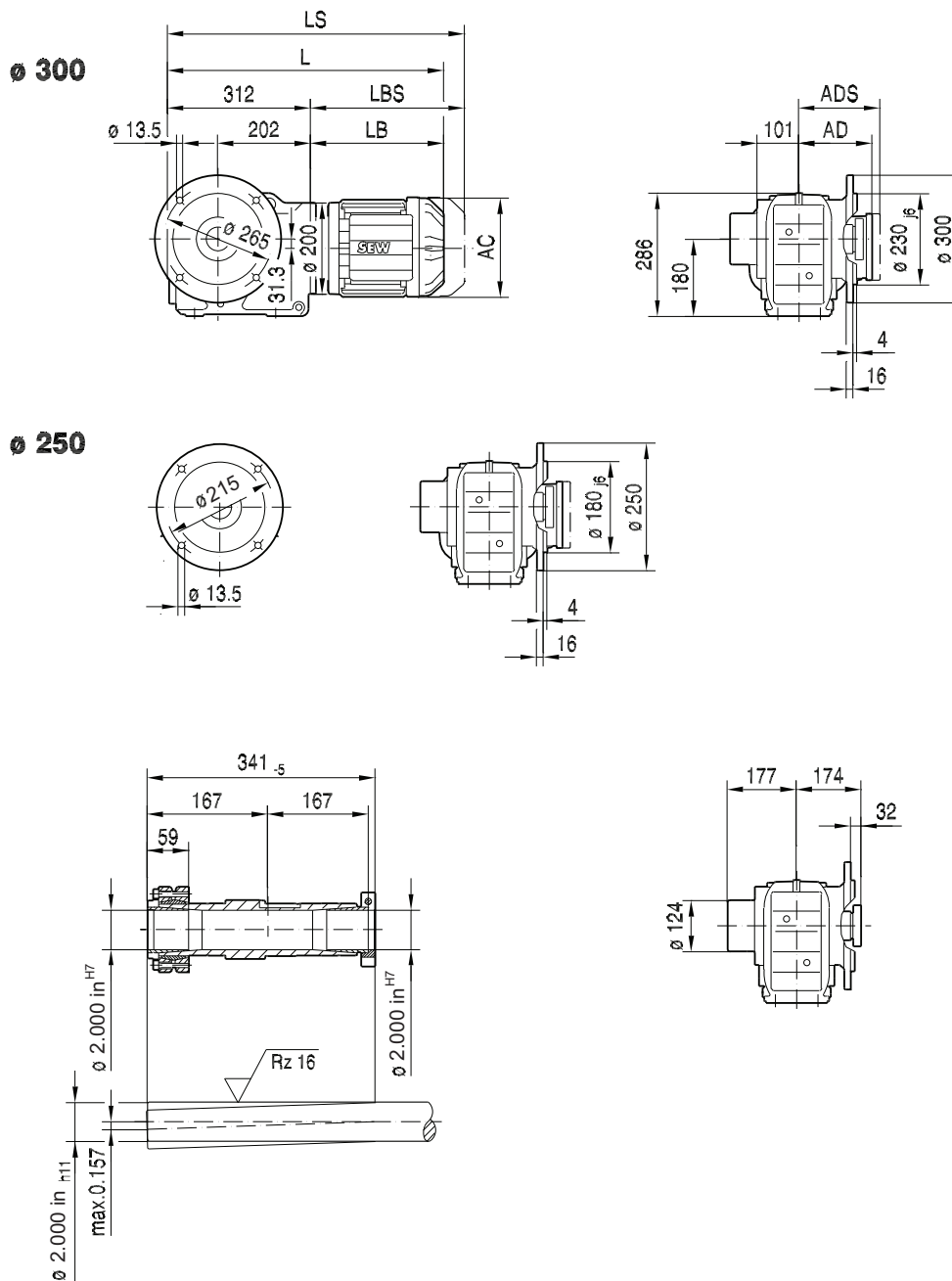
(→ 163)	DRN80M	DRN90S	DRN90L	DRN100L/LM	DRN112M	DRN132S	DRN132M	DRN132L	DRN160
AC	156	179	179	197	221	221	261	261	314
AD	128	140	140	157	170	170	228	228	253
ADS	139	150	150	158	172	172	228	228	253
L	580	582	614	660	691	741	759	785	851
LS	661	675	707	754	803	853	897	922	1040
LB	268	270	302	348	379	429	447	473	539
LBS	349	363	395	442	491	541	585	610	728

Dimensions in mm unless noted as inch. For all available output shaft diameters, see page 720. For tolerances, see page 163.

21933480/EN-US - 04/2018

33 099 02 13 US

KTF77..

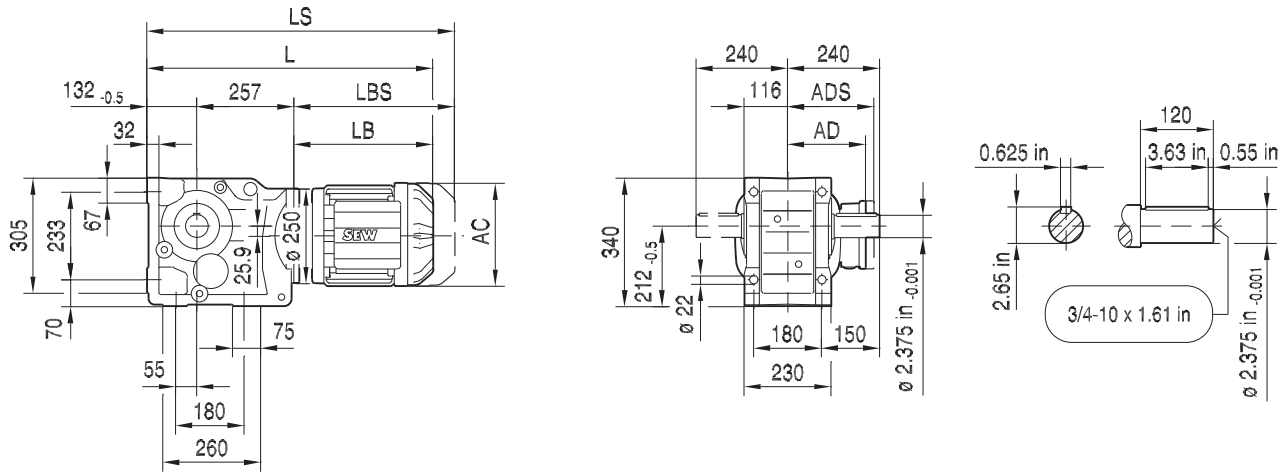


(→ 163)	DRN80M	DRN90S	DRN90L	DRN100L/LM	DRN112M	DRN132S	DRN132M	DRN132L	DRN160
AC	156	179	179	197	221	221	261	261	314
AD	128	140	140	157	170	170	228	228	253
ADS	139	150	150	158	172	172	228	228	253
L	580	582	614	660	691	741	759	785	851
LS	661	675	707	754	803	853	897	922	1040
LB	268	270	302	348	379	429	447	473	539
LBS	349	363	395	442	491	541	585	610	728

Dimensions in mm unless noted as inch. For all available output shaft diameters, see page 720. For tolerances, see page 163.

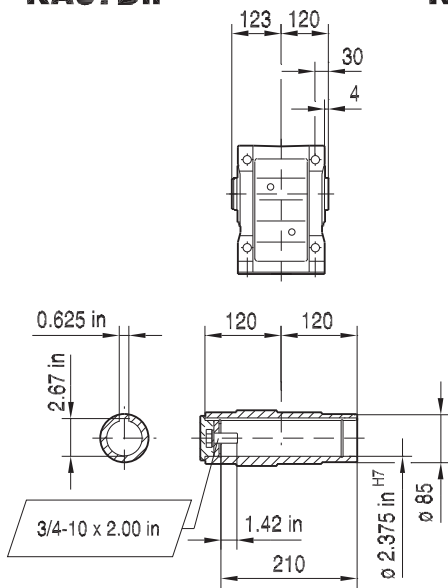
33 340 00 16

K87..

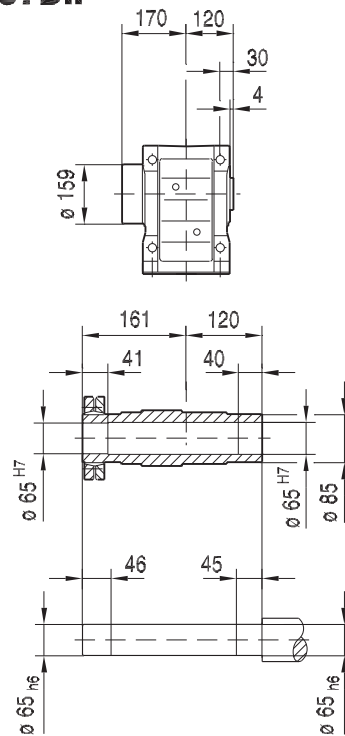


10

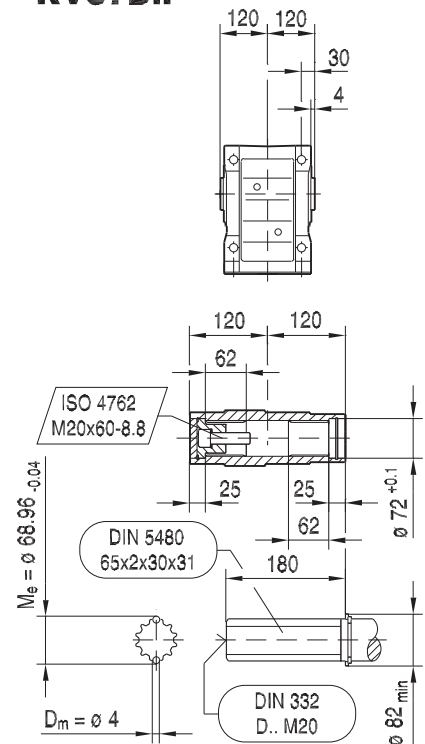
KA87B..



KH87B..



KV87B..



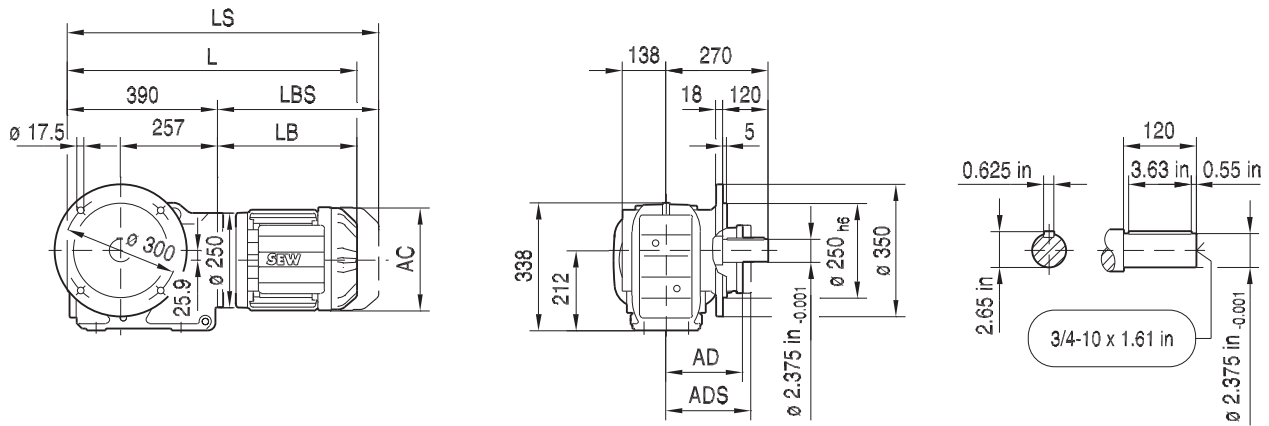
21933480/EN-US - 04/2018

(→ 163)	DRN90S	DRN90L	DRN100L/LM	DRN112M	DRN132S	DRN132M	DRN132L	DRN160	DRN180
AC	179	179	197	221	221	261	261	314	357
AD	140	140	157	170	170	228	228	253	268
ADS	150	150	158	172	172	228	228	253	268
L	654	686	732	763	813	831	857	923	946
LS	747	779	826	875	925	969	994	1112	1135
LB	265	297	343	374	424	442	468	534	557
LBS	358	390	437	486	536	580	605	723	746

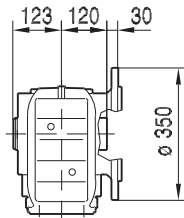
Dimensions in mm unless noted as inch. For all available output shaft diameters, see page 716. For tolerances, see page 163.

33 341 00 16

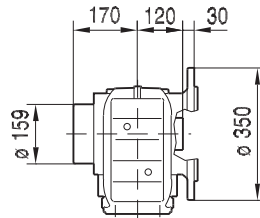
KF87..



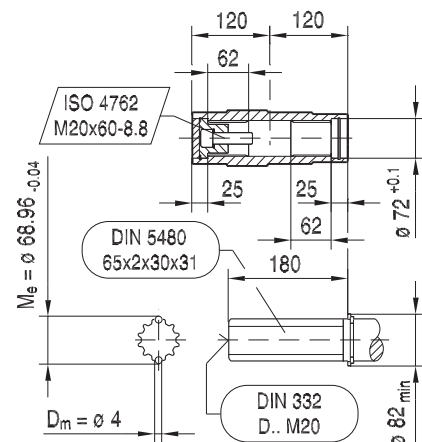
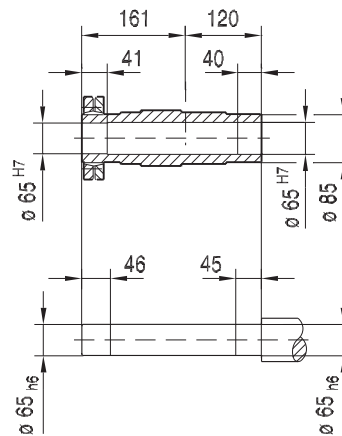
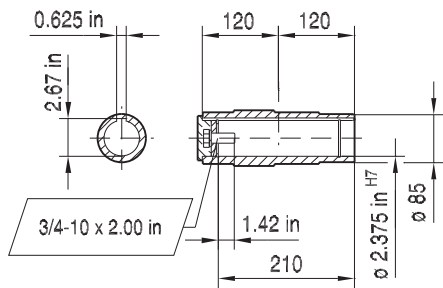
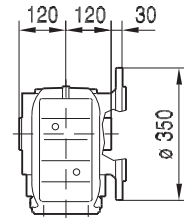
KAF87..



KHF87..



KVF87..



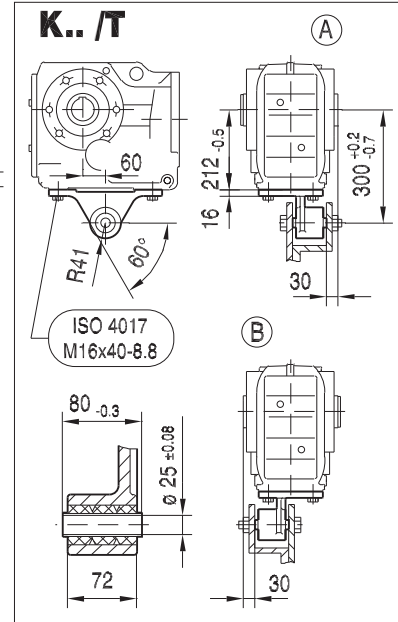
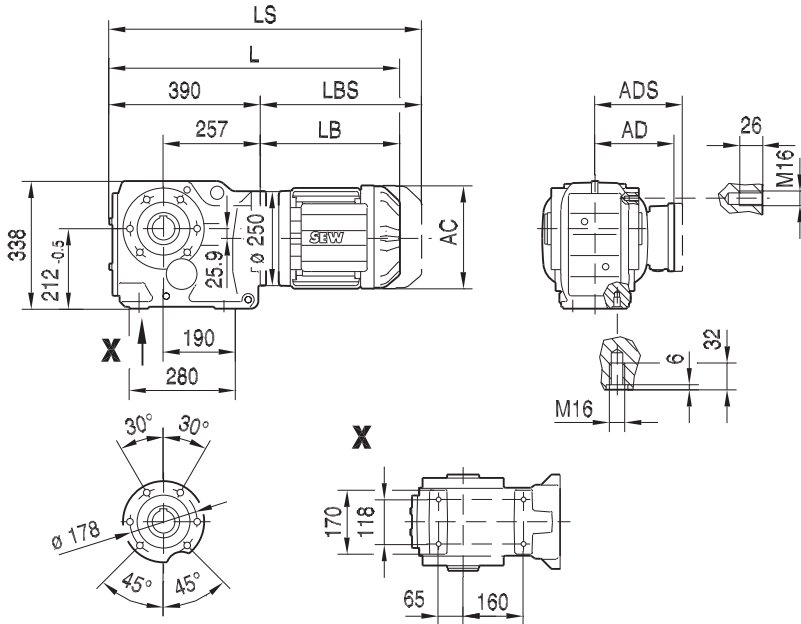
(→ 163)	DRN90S	DRN90L	DRN100L/LM	DRN112M	DRN132S	DRN132M	DRN132L	DRN160	DRN180
AC	179	179	197	221	221	261	261	314	357
AD	140	140	157	170	170	228	228	253	268
ADS	150	150	158	172	172	228	228	253	268
L	655	687	733	764	814	832	858	924	947
LS	748	780	827	876	926	970	995	1113	1136
LB	265	297	343	374	424	442	468	534	557
LBS	358	390	437	486	536	580	605	723	746

Dimensions in mm unless noted as inch. For all available output shaft diameters, see page 716. For tolerances, see page 163.

221933480/EN-US - 04/2018

KA87..

33 342 00 16

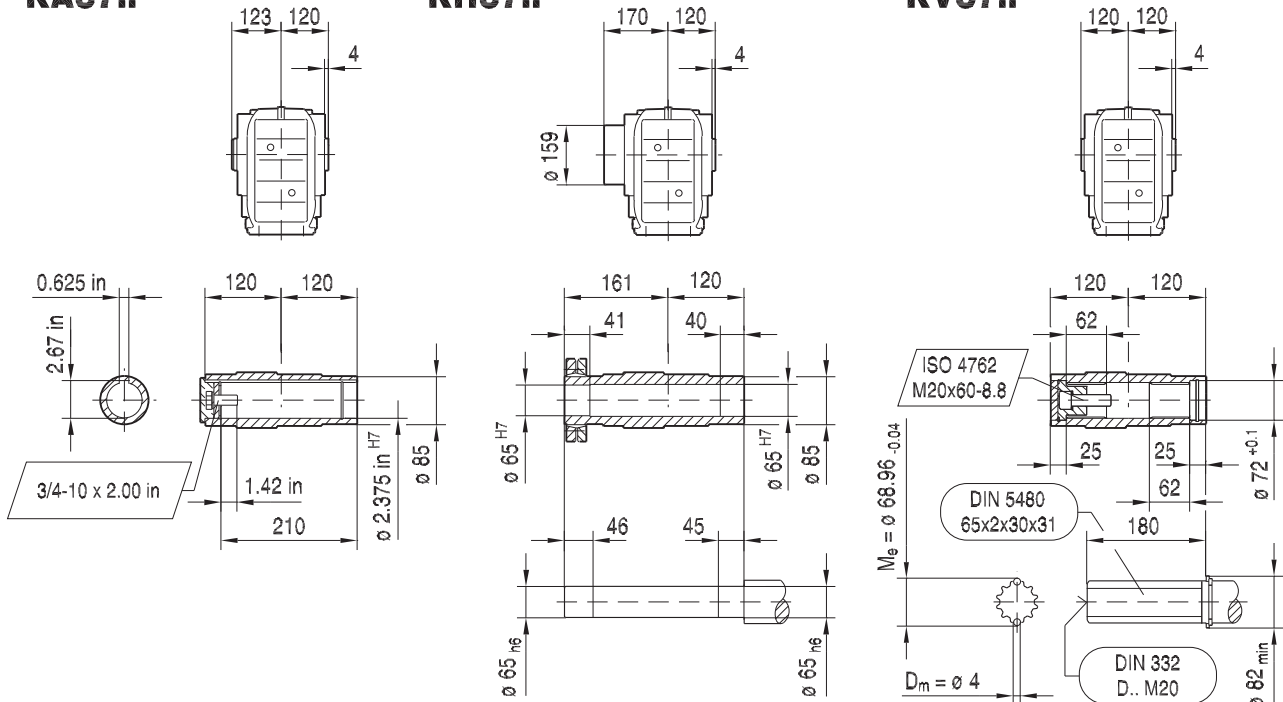


10

KA87..

KH87..

KV87..



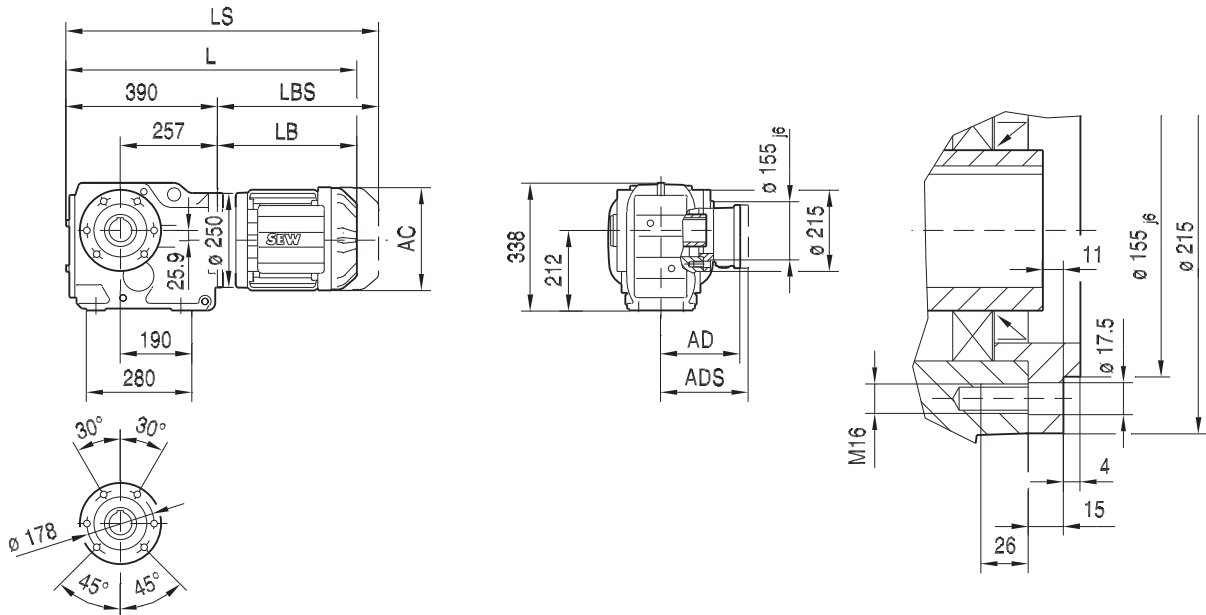
(→ 163)	DRN90S	DRN90L	DRN100L/LM	DRN112M	DRN132S	DRN132M	DRN132L	DRN160	DRN180
AC	179	179	197	221	221	261	261	314	357
AD	140	140	157	170	170	228	228	253	268
ADS	150	150	158	172	172	228	228	253	268
L	655	687	733	764	814	832	858	924	947
LS	748	780	827	876	926	970	995	1113	1136
LB	265	297	343	374	424	442	468	534	557
LBS	358	390	437	486	536	580	605	723	746

Dimensions in mm unless noted as inch. For all available output shaft diameters, see page 718. For tolerances, see page 163.

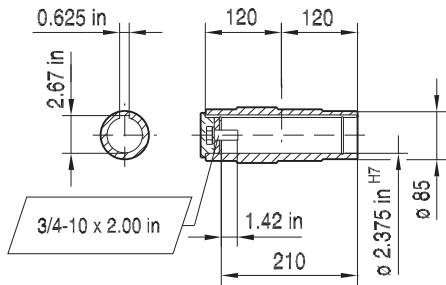
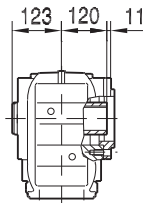
21933480/EN-US - 04/2018

33 343 00 16

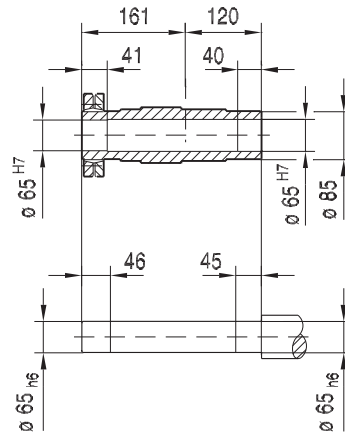
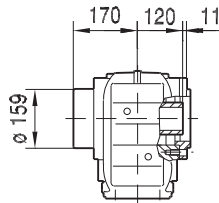
KAZ87..



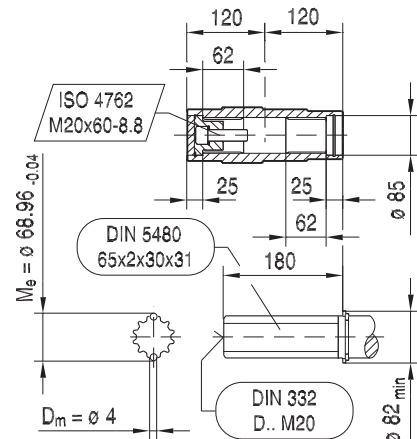
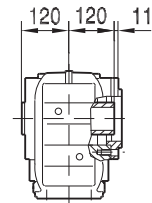
KAZ87..



KHZ87..



KVZ87..

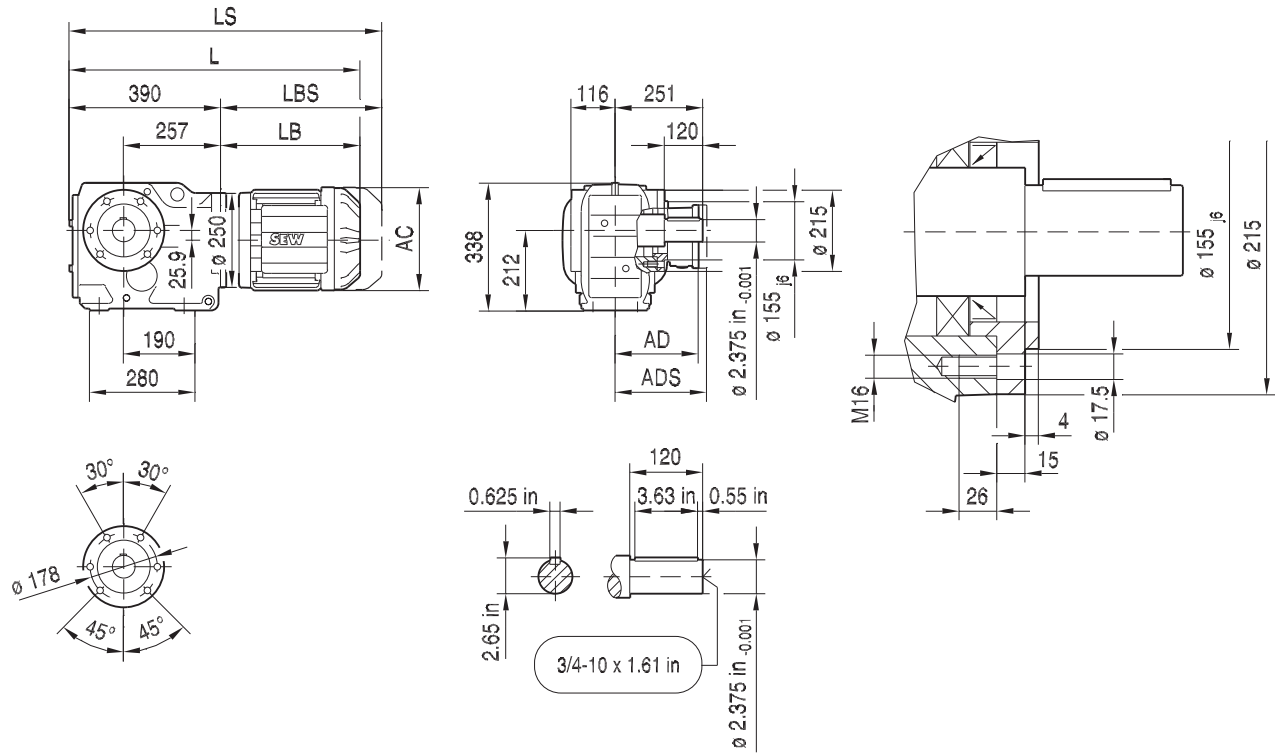


(→ 163)	DRN90S	DRN90L	DRN100L/LM	DRN112M	DRN132S	DRN132M	DRN132L	DRN160	DRN180
AC	179	179	197	221	221	261	261	314	357
AD	140	140	157	170	170	228	228	253	268
ADS	150	150	158	172	172	228	228	253	268
L	655	687	733	764	814	832	858	924	947
LS	748	780	827	876	926	970	995	1113	1136
LB	265	297	343	374	424	442	468	534	557
LBS	358	390	437	486	536	580	605	723	746

Dimensions in mm unless noted as inch. For all available output shaft diameters, see page 718. For tolerances, see page 163.

33 344 00 16

KZ87..



10

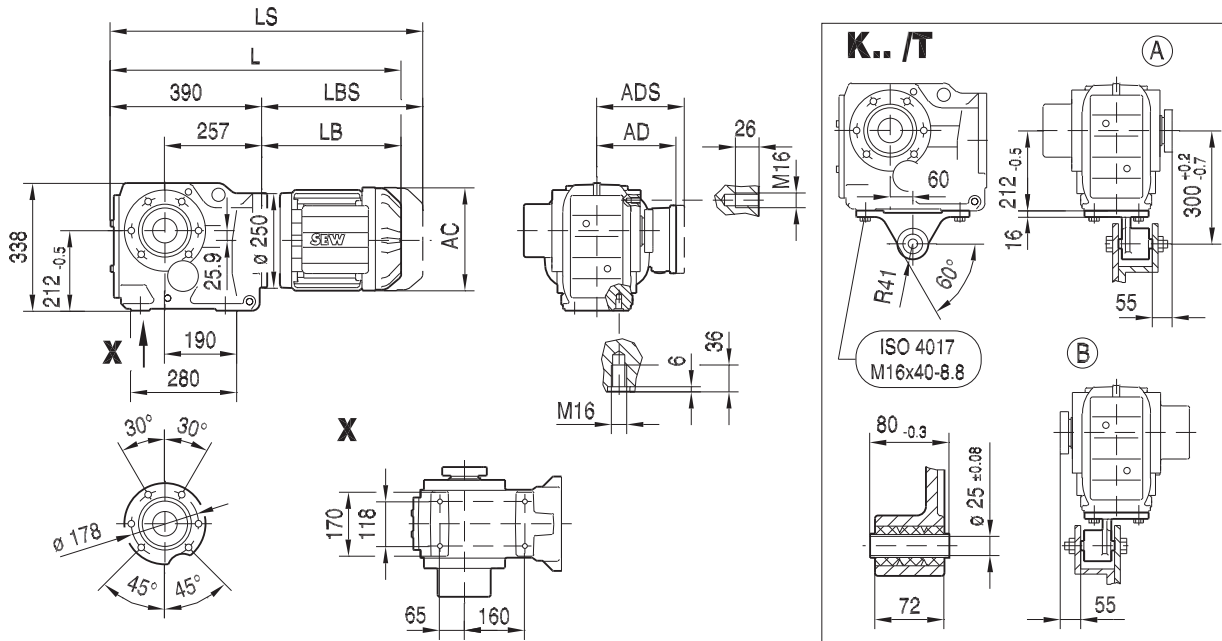
21933480/EN-US - 04/2018

(→ 163)	DRN90S	DRN90L	DRN100L/LM	DRN112M	DRN132S	DRN132M	DRN132L	DRN160	DRN180
AC	179	179	197	221	221	261	261	314	357
AD	140	140	157	170	170	228	228	253	268
ADS	150	150	158	172	172	228	228	253	268
L	655	687	733	764	814	832	858	924	947
LS	748	780	827	876	926	970	995	1113	1136
LB	265	297	343	374	424	442	468	534	557
LBS	358	390	437	486	536	580	605	723	746

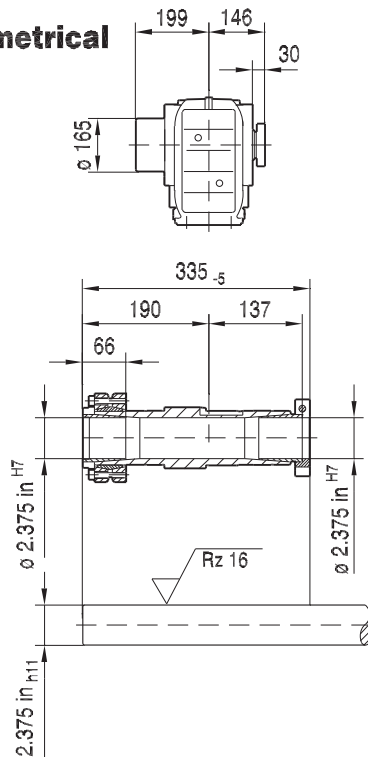
Dimensions in mm unless noted as inch. For all available output shaft diameters, see page 716. For tolerances, see page 163.

33 345 00 16

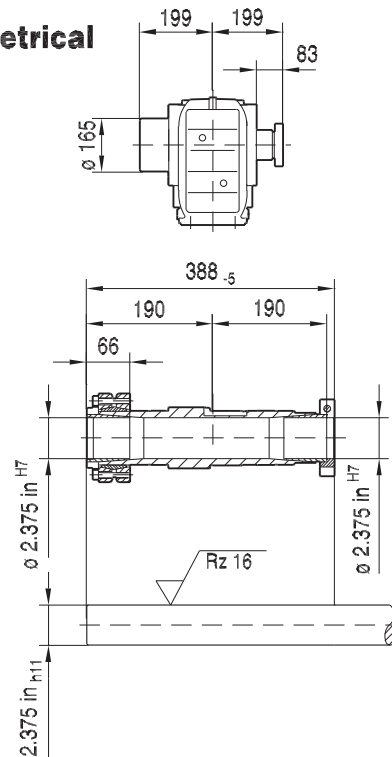
KT87..



NON-Symmetrical



Symmetrical

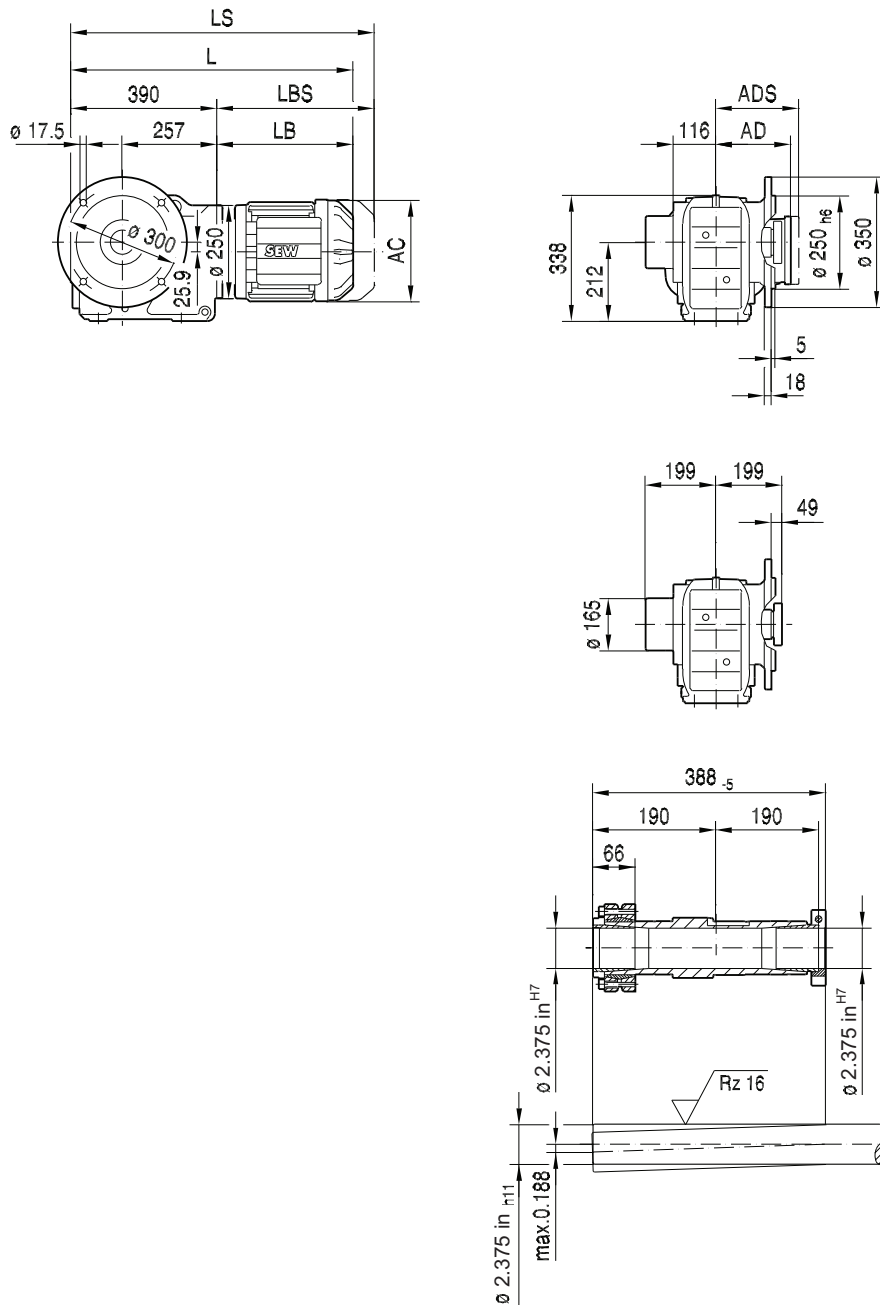


(→ 163)	DRN90S	DRN90L	DRN100L/LM	DRN112M	DRN132S	DRN132M	DRN132L	DRN160	DRN180
AC	179	179	197	221	221	261	261	314	357
AD	140	140	157	170	170	228	228	253	268
ADS	150	150	158	172	172	228	228	253	268
L	655	687	733	764	814	832	858	924	947
LS	748	780	827	876	926	970	995	1113	1136
LB	265	297	343	374	424	442	468	534	557
LBS	358	390	437	486	536	580	605	723	746

Dimensions in mm unless noted as inch. For all available output shaft diameters, see page 720. For tolerances, see page 163.

KTF87..

33 100 02 13 US



10

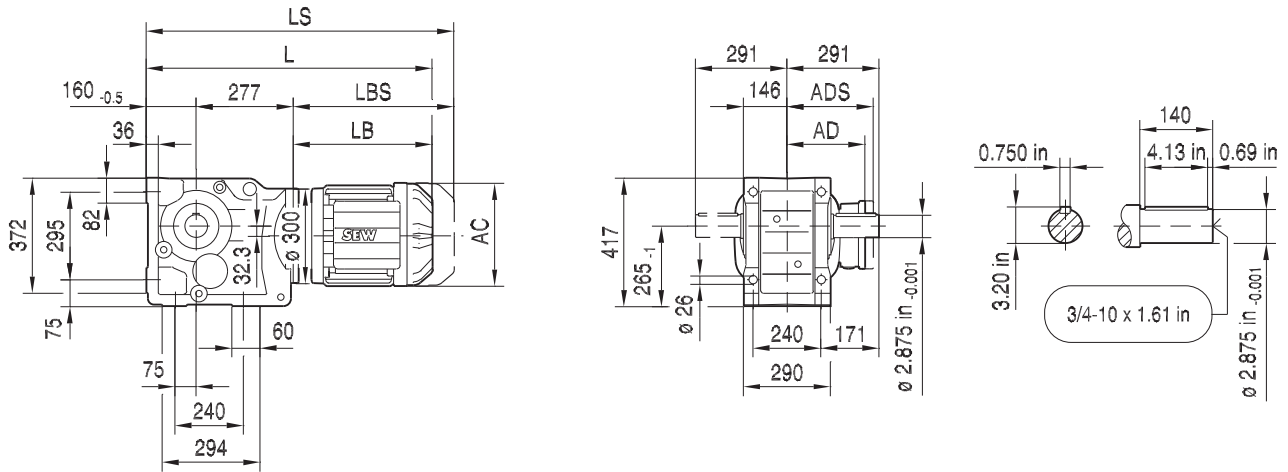
21933480/EN-US - 04/2018

(→ 163)	DRN90S	DRN90L	DRN100L/LM	DRN112M	DRN132S	DRN132M	DRN132L	DRN160	DRN180
AC	179	179	197	221	221	261	261	314	357
AD	140	140	157	170	170	228	228	253	268
ADS	150	150	158	172	172	228	228	253	268
L	655	687	733	764	814	832	858	924	947
LS	748	780	827	876	926	970	995	1113	1136
LB	265	297	343	374	424	442	468	534	557
LBS	358	390	437	486	536	580	605	723	746

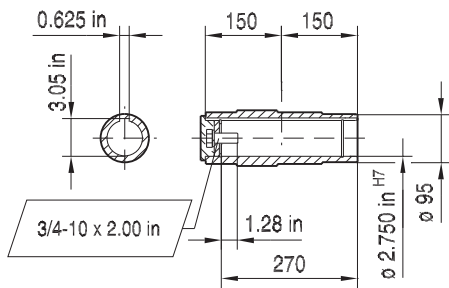
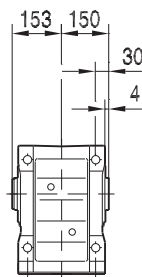
Dimensions in mm unless noted as inch. For all available output shaft diameters, see page 720. For tolerances, see page 163.

33 346 00 16

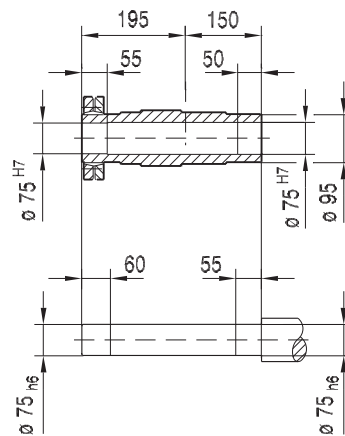
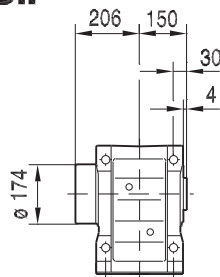
K97..



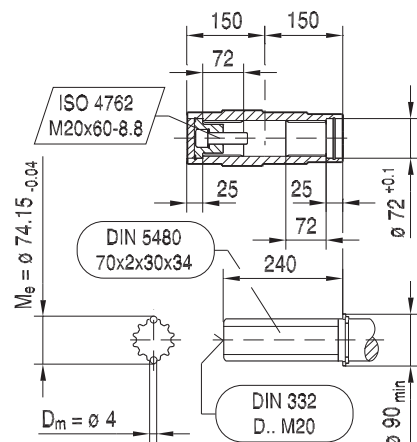
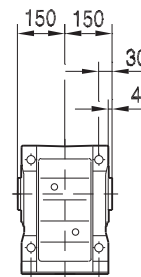
KA97B..



KH97B..



KV97B..



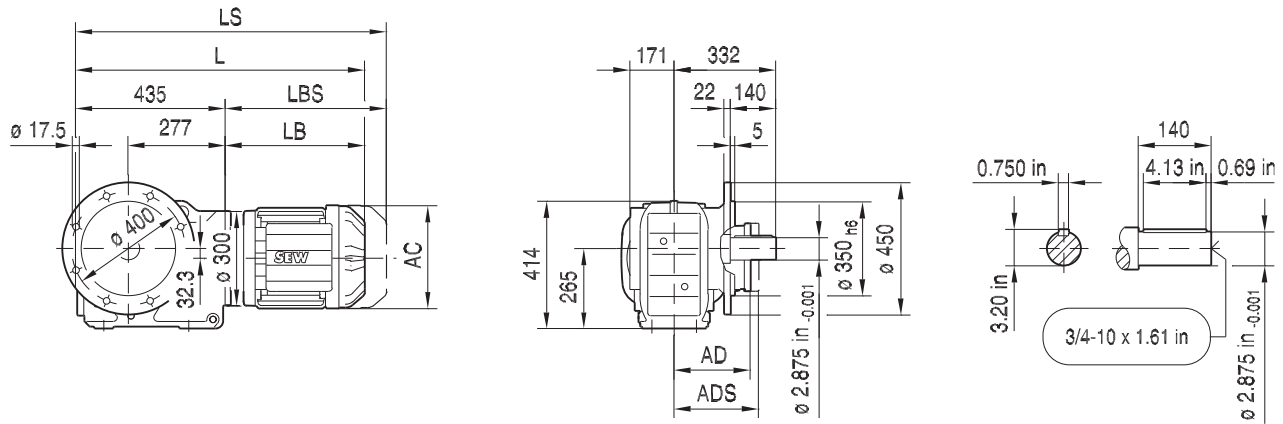
(→ 163)	DRN100L/LM	DRN112M	DRN132S	DRN132M	DRN132L	DRN160	DRN180	DRN200L	DRN225
AC	197	221	221	261	261	314	357	394	434
AD	157	170	170	228	228	253	268	283	305
ADS	158	172	172	228	228	253	268	283	305
L	775	806	856	874	900	966	989	1099	1073
LS	869	918	968	1012	1037	1155	1178	1304	1278
LB	338	369	419	437	463	529	552	662	636
LBS	432	481	531	575	600	718	741	867	841

Dimensions in mm unless noted as inch. For all available output shaft diameters, see page 716. For tolerances, see page 163.

221933480/EN-US - 04/2018

33 347 00 16

KF97..

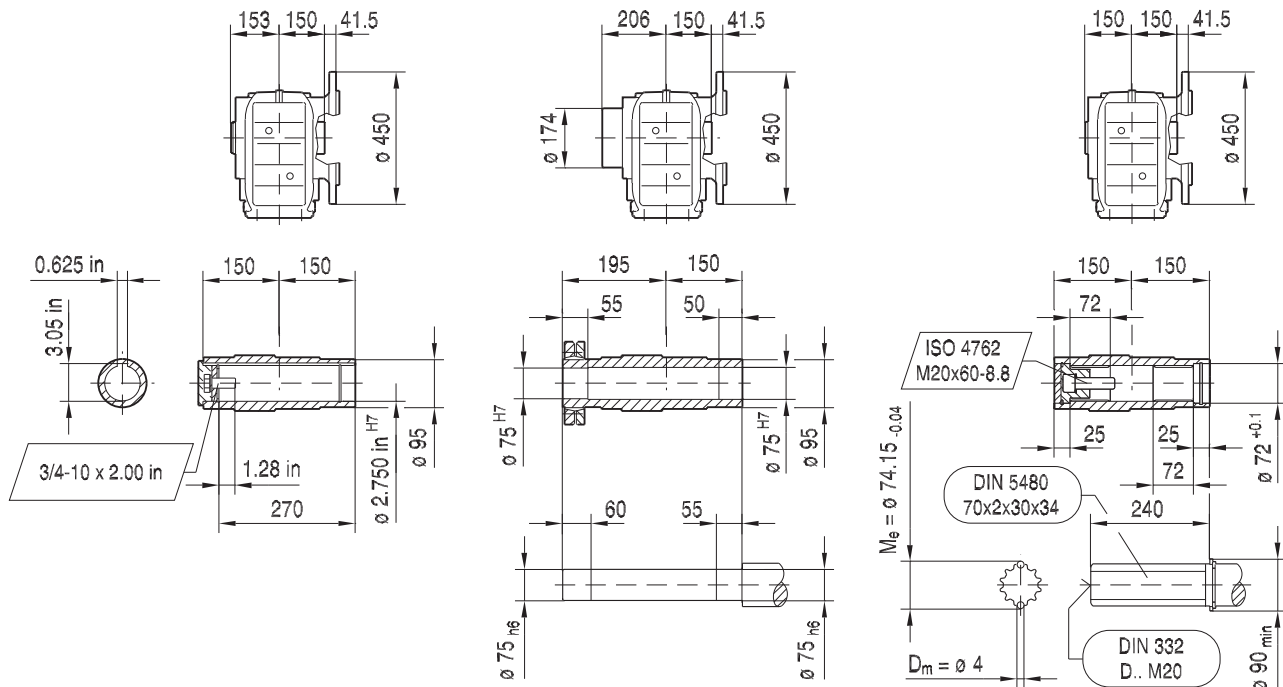


10

KAF97..

KHF97..

KVF97..



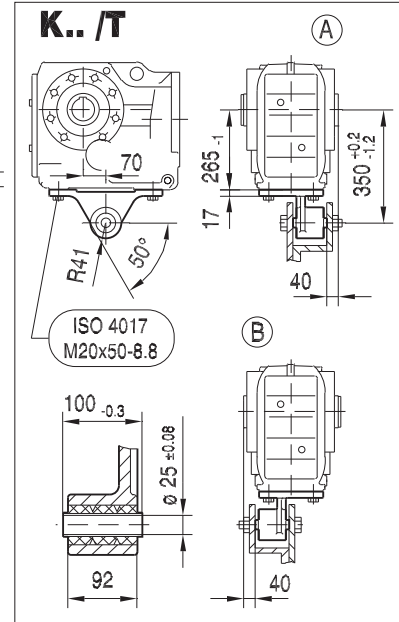
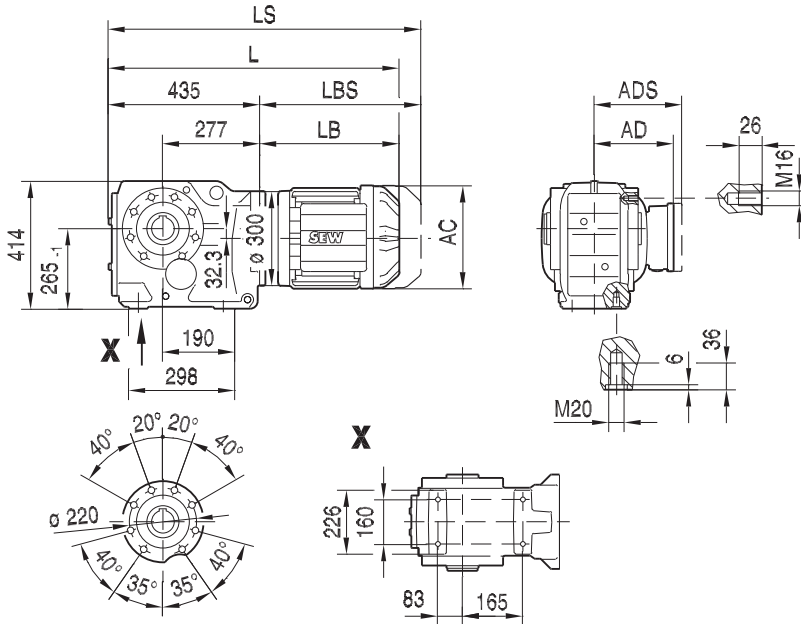
(→ 163)	DRN100L/LM	DRN112M	DRN132S	DRN132M	DRN132L	DRN160	DRN180	DRN200L	DRN225
AC	197	221	221	261	261	314	357	394	434
AD	157	170	170	228	228	253	268	283	305
ADS	158	172	172	228	228	253	268	283	305
L	773	804	854	872	898	964	987	1097	1071
LS	867	916	966	1010	1035	1153	1176	1302	1276
LB	338	369	419	437	463	529	552	662	636
LBS	432	481	531	575	600	718	741	867	841

Dimensions in mm unless noted as inch. For all available output shaft diameters, see page 716. For tolerances, see page 163.

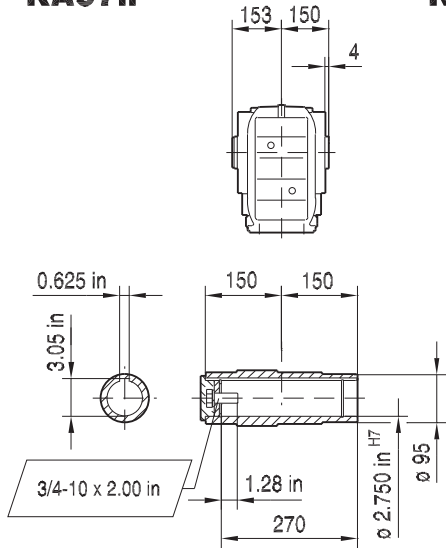
21933480/EN-US - 04/2018

33 348 00 16

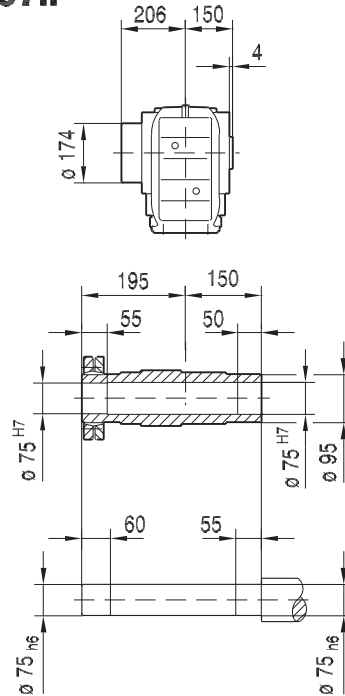
KA97..



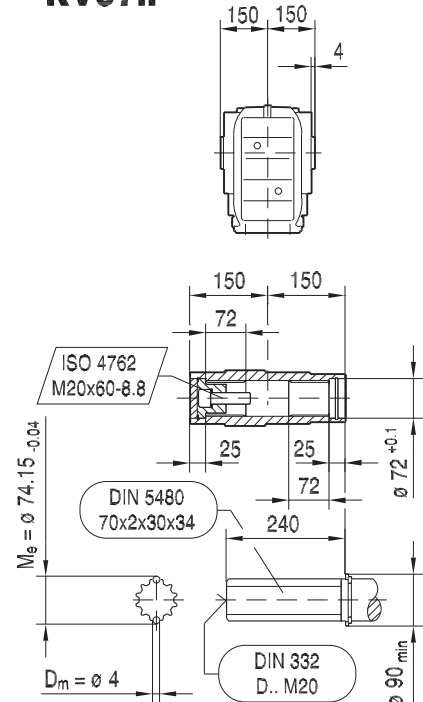
KA97..



KH97..



KV97..

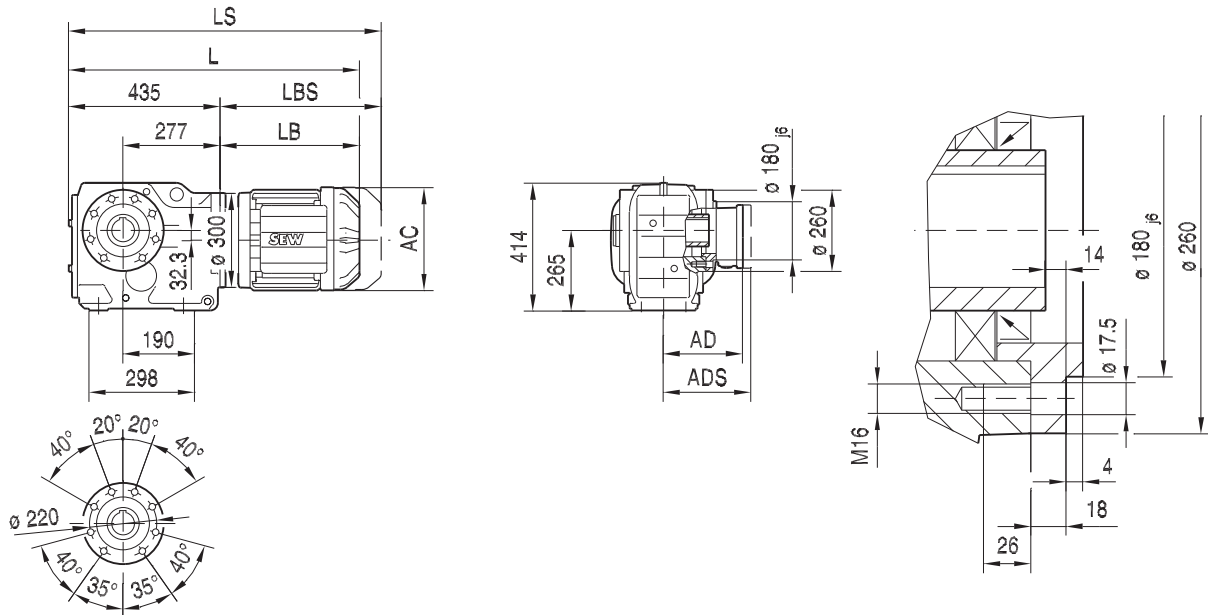


(→ 163)	DRN100L/LM	DRN112M	DRN132S	DRN132M	DRN132L	DRN160	DRN180	DRN200L	DRN225
AC	197	221	221	261	261	314	357	394	434
AD	157	170	170	228	228	253	268	283	305
ADS	158	172	172	228	228	253	268	283	305
L	773	804	854	872	898	964	987	1097	1071
LS	867	916	966	1010	1035	1153	1176	1302	1276
LB	338	369	419	437	463	529	552	662	636
LBS	432	481	531	575	600	718	741	867	841

Dimensions in mm unless noted as inch. For all available output shaft diameters, see page 718. For tolerances, see page 163.

KAZ97..

33 349 00 16

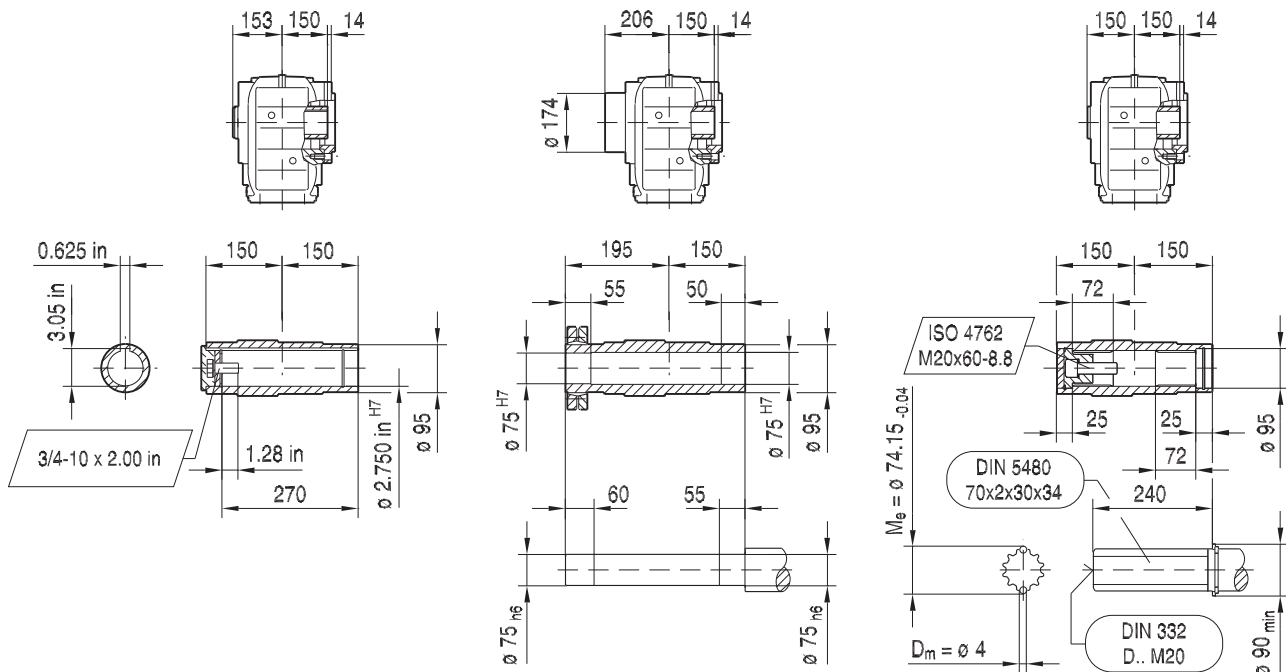


10

KAZ97..

KHZ97..

KVZ97..



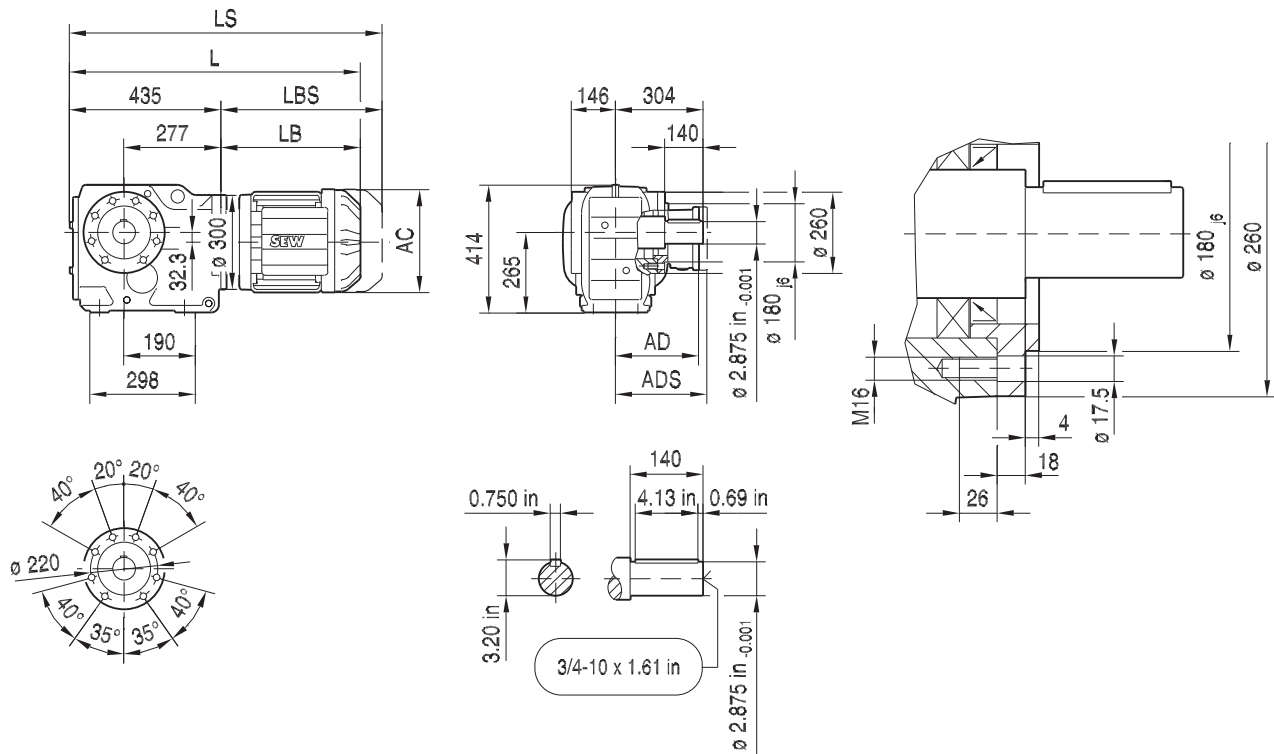
21933480/EN-US - 04/2018

(→ 163)	DRN100L/LM	DRN112M	DRN132S	DRN132M	DRN132L	DRN160	DRN180	DRN200L	DRN225
AC	197	221	221	261	261	314	357	394	434
AD	157	170	170	228	228	253	268	283	305
ADS	158	172	172	228	228	253	268	283	305
L	773	804	854	872	898	964	987	1097	1071
LS	867	916	966	1010	1035	1153	1176	1302	1276
LB	338	369	419	437	463	529	552	662	636
LBS	432	481	531	575	600	718	741	867	841

Dimensions in mm unless noted as inch. For all available output shaft diameters, see page 718. For tolerances, see page 163.

33 350 00 16

KZ97..

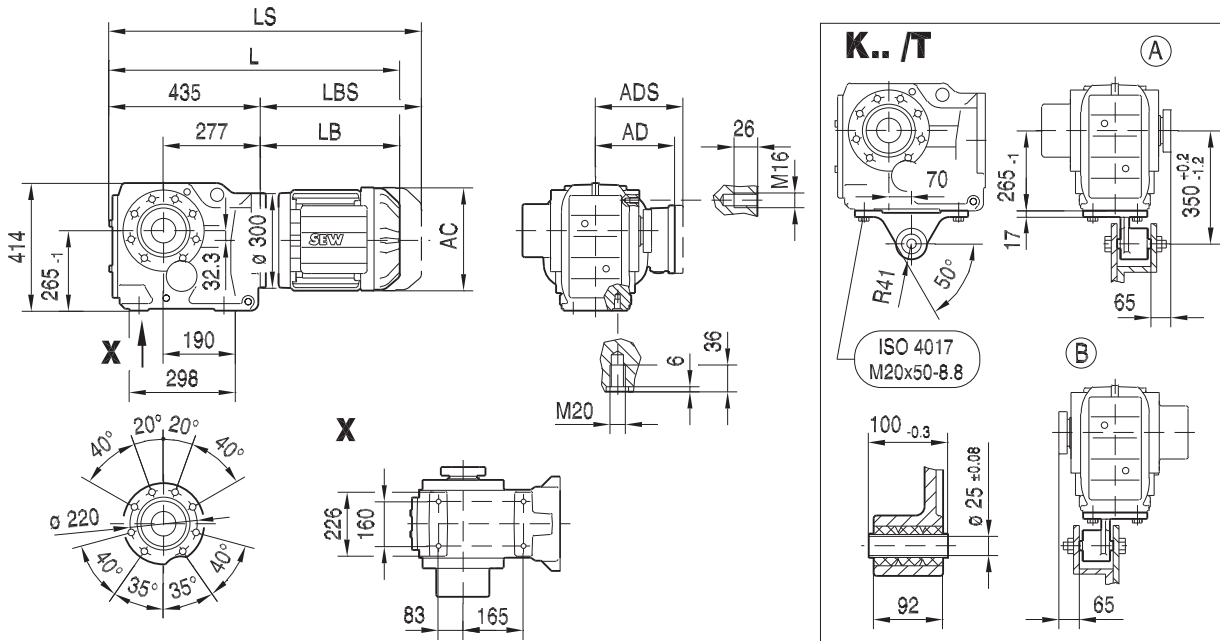


(→ 163)	DRN100L/LM	DRN112M	DRN132S	DRN132M	DRN132L	DRN160	DRN180	DRN200L	DRN225
AC	197	221	221	261	261	314	357	394	434
AD	157	170	170	228	228	253	268	283	305
ADS	158	172	172	228	228	253	268	283	305
L	773	804	854	872	898	964	987	1097	1071
LS	867	916	966	1010	1035	1153	1176	1302	1276
LB	338	369	419	437	463	529	552	662	636
LBS	432	481	531	575	600	718	741	867	841

Dimensions in mm unless noted as inch. For all available output shaft diameters, see page 716. For tolerances, see page 163.

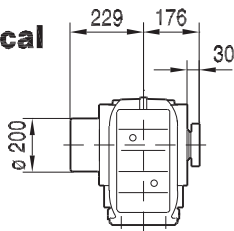
KT97..

33 351 00 16

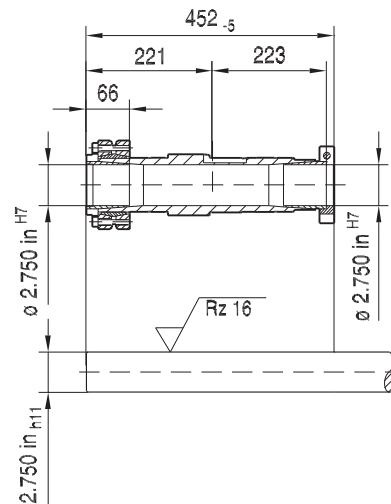
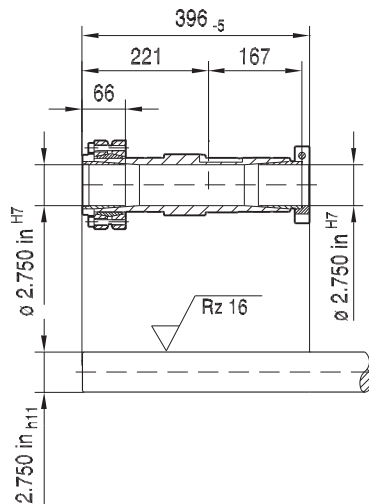
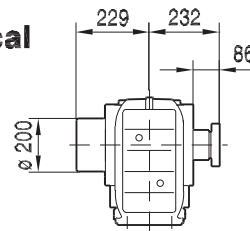


10

NON-Symmetrical



Symmetrical



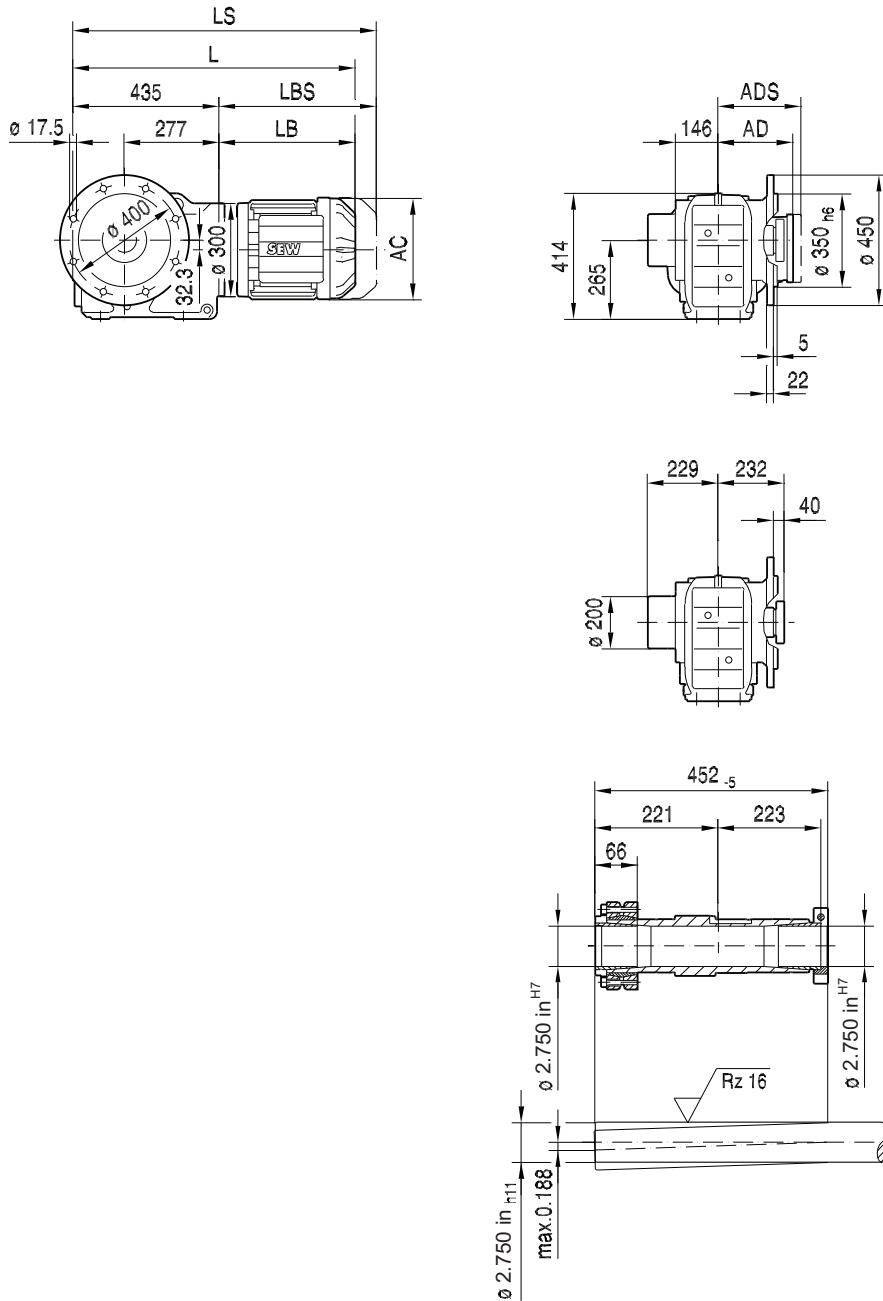
(→ 163)	DRN100L/LM	DRN112M	DRN132S	DRN132M	DRN132L	DRN160	DRN180	DRN200L	DRN225
AC	197	221	221	261	261	314	357	394	434
AD	157	170	170	228	228	253	268	283	305
ADS	158	172	172	228	228	253	268	283	305
L	773	804	854	872	898	964	987	1097	1071
LS	867	916	966	1010	1035	1153	1176	1302	1276
LB	338	369	419	437	463	529	552	662	636
LBS	432	481	531	575	600	718	741	867	841

Dimensions in mm unless noted as inch. For all available output shaft diameters, see page 720. For tolerances, see page 163.

21933480/EN-US - 04/2018

KTF97..

33 101 02 13 US

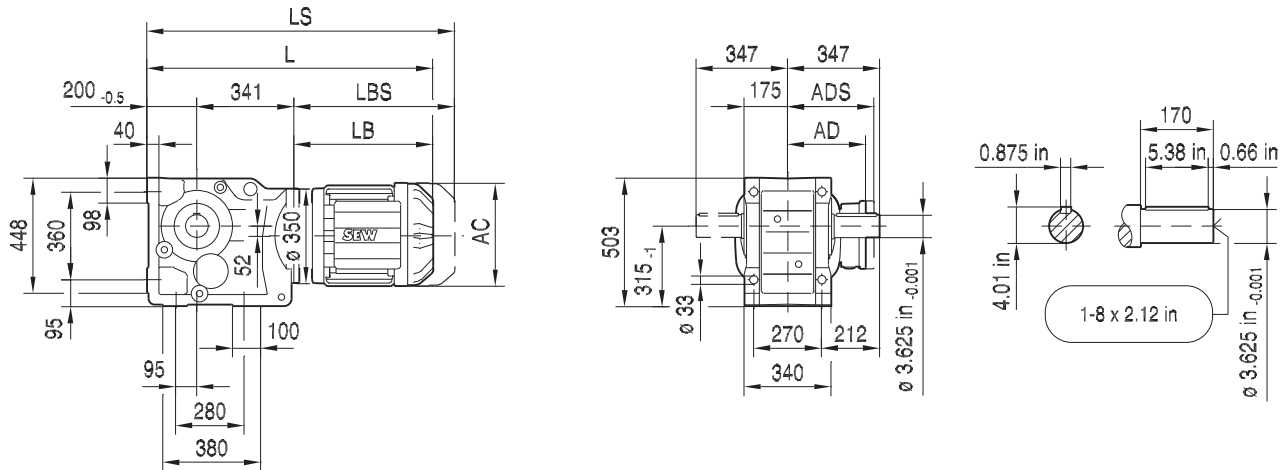


(→ 163)	DRN100L/LM	DRN112M	DRN132S	DRN132M	DRN132L	DRN160	DRN180	DRN200L	DRN225
AC	197	221	221	261	261	314	357	394	434
AD	157	170	170	228	228	253	268	283	305
ADS	158	172	172	228	228	253	268	283	305
L	773	804	854	872	898	964	987	1097	1071
LS	867	916	966	1010	1035	1153	1176	1302	1276
LB	338	369	419	437	463	529	552	662	636
LBS	432	481	531	575	600	718	741	867	841

Dimensions in mm unless noted as inch. For all available output shaft diameters, see page 720. For tolerances, see page 163.

33 352 00 16

K107..

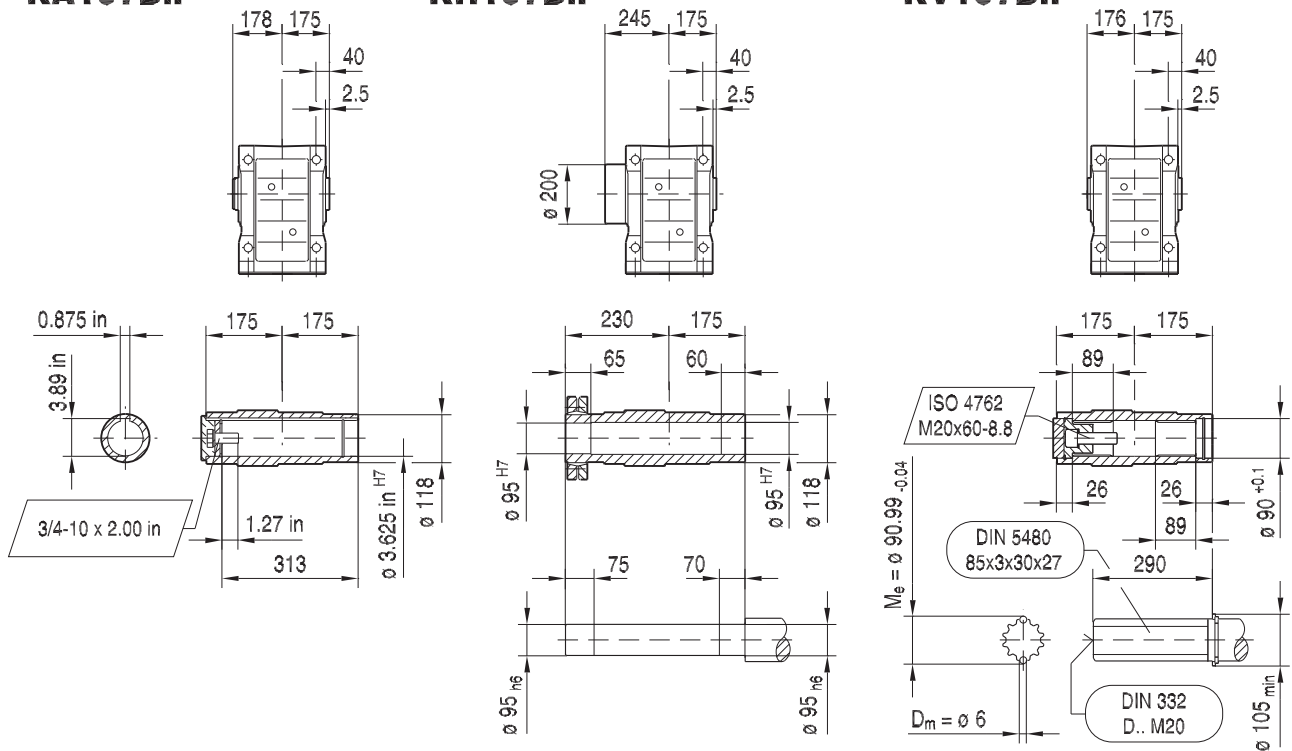


10

KA107B..

KH107B..

KV107B..



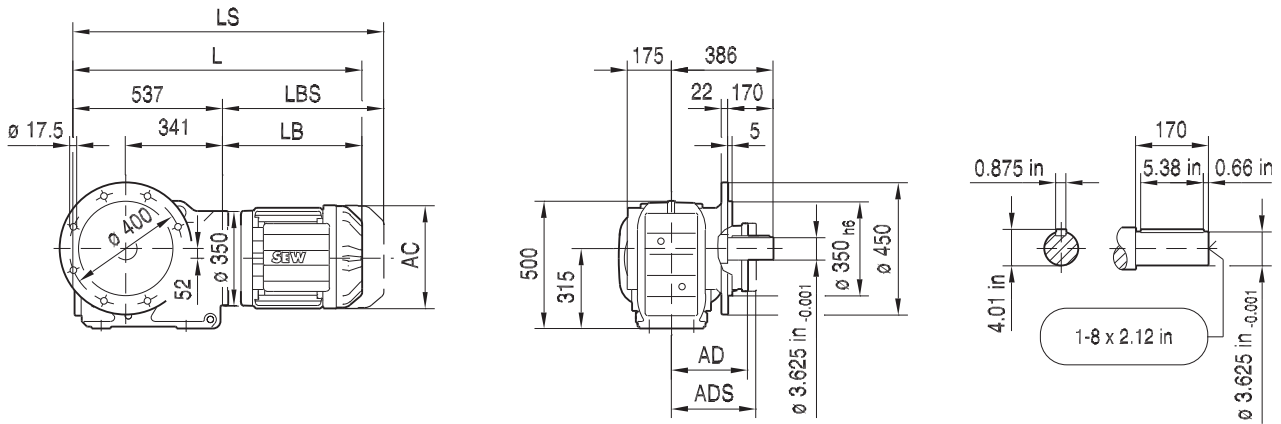
21933480/EN-US - 04/2018

(→ 163)	DRN100L/LM	DRN112M	DRN132S	DRN132M	DRN132L	DRN160	DRN180	DRN200L	DRN225
AC	197	221	221	261	261	314	357	394	434
AD	157	170	170	228	228	253	268	283	305
ADS	158	172	172	228	228	253	268	283	305
L	873	904	954	972	998	1064	1087	1197	1171
LS	967	1016	1066	1110	1135	1253	1276	1402	1376
LB	332	363	413	431	457	523	546	656	630
LBS	426	475	525	569	594	712	735	861	835

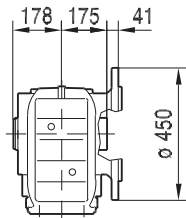
Dimensions in mm unless noted as inch. For all available output shaft diameters, see page 716. For tolerances, see page 163.

33 353 00 16

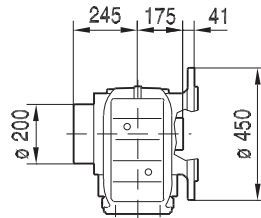
KF107..



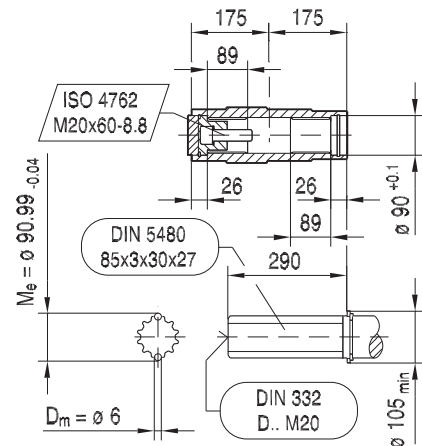
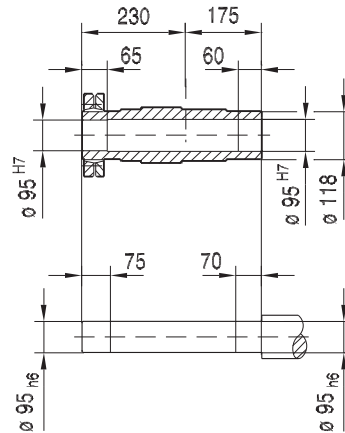
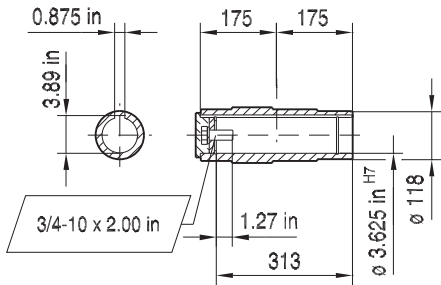
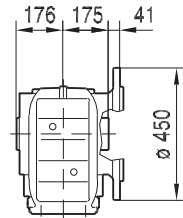
KAF107..



KHF107..



KVF107..



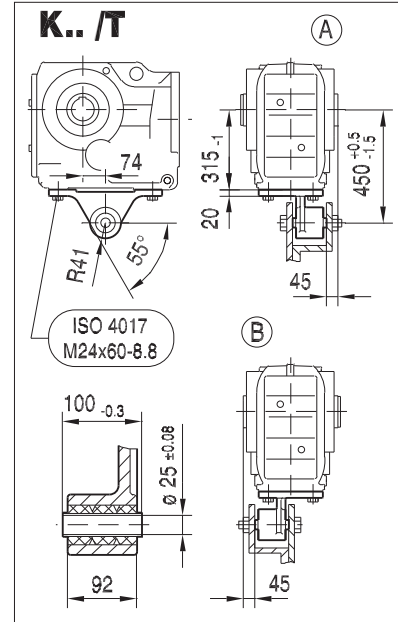
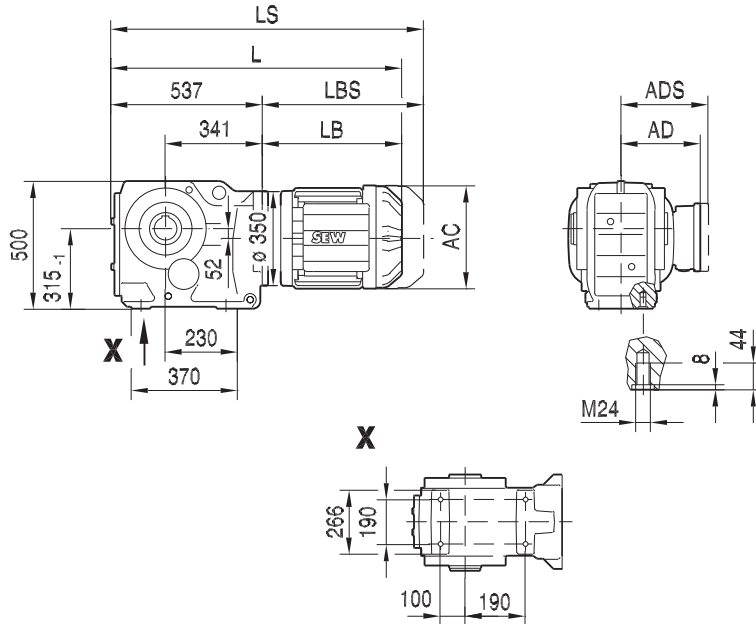
(→ 163)	DRN100L/LM	DRN112M	DRN132S	DRN132M	DRN132L	DRN160	DRN180	DRN200L	DRN225
AC	197	221	221	261	261	314	357	394	434
AD	157	170	170	228	228	253	268	283	305
ADS	158	172	172	228	228	253	268	283	305
L	869	900	950	968	994	1060	1083	1193	1167
LS	963	1012	1062	1106	1131	1249	1272	1398	1372
LB	332	363	413	431	457	523	546	656	630
LBS	426	475	525	569	594	712	735	861	835

Dimensions in mm unless noted as inch. For all available output shaft diameters, see page 716. For tolerances, see page 163.

221933480/EN-US - 04/2018

KA107..

33 354 00 16

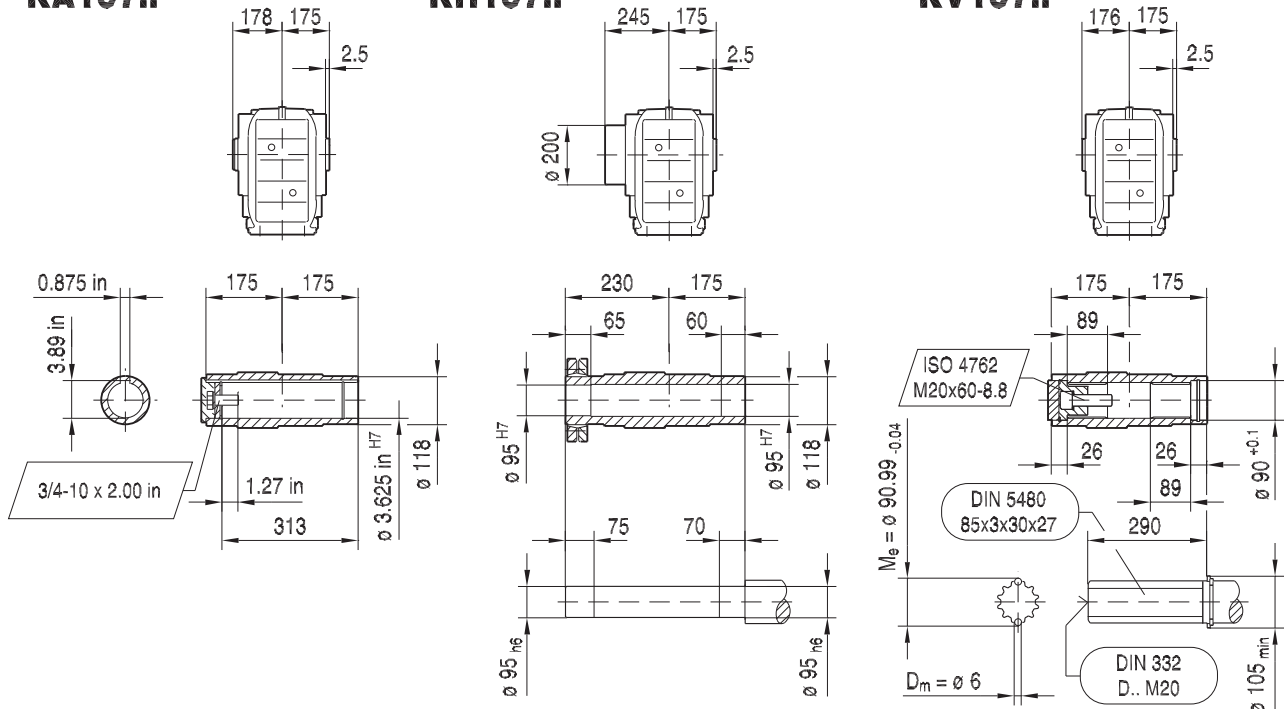


10

KA107..

KH107..

KV107..



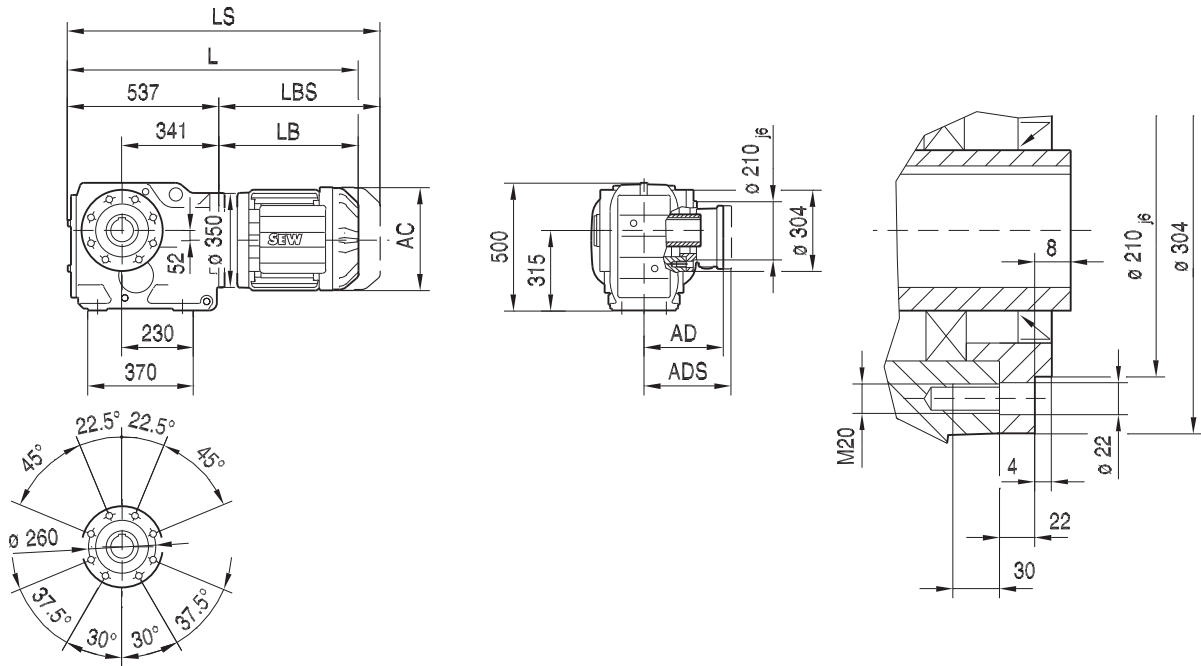
(→ 163)	DRN100L/LM	DRN112M	DRN132S	DRN132M	DRN132L	DRN160	DRN180	DRN200L	DRN225
AC	197	221	221	261	261	314	357	394	434
AD	157	170	170	228	228	253	268	283	305
ADS	158	172	172	228	228	253	268	283	305
L	869	900	950	968	994	1060	1083	1193	1167
LS	963	1012	1062	1106	1131	1249	1272	1398	1372
LB	332	363	413	431	457	523	546	656	630
LBS	426	475	525	569	594	712	735	861	835

Dimensions in mm unless noted as inch. For all available output shaft diameters, see page 718. For tolerances, see page 163.

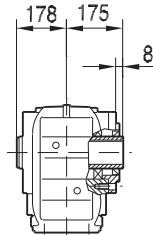
21933480/EN-US - 04/2018

33 355 00 16

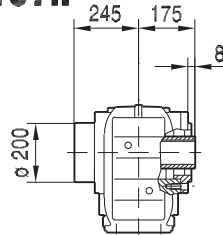
KAZ107..



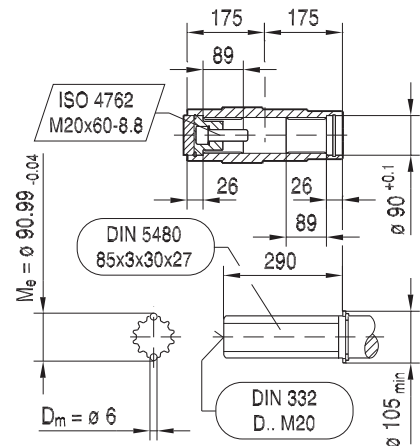
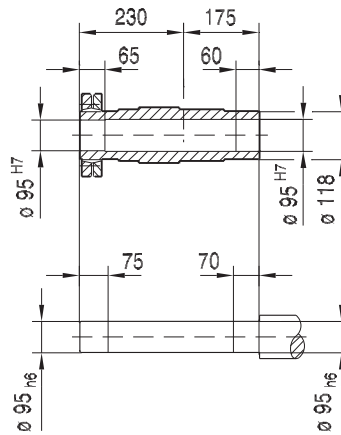
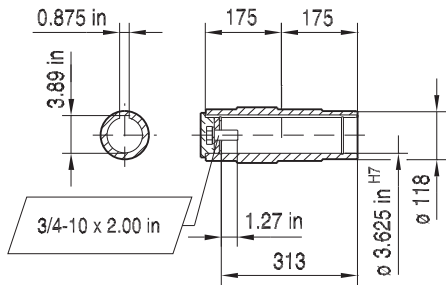
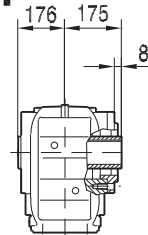
KAZ107..



KHZ107..



KVZ107..

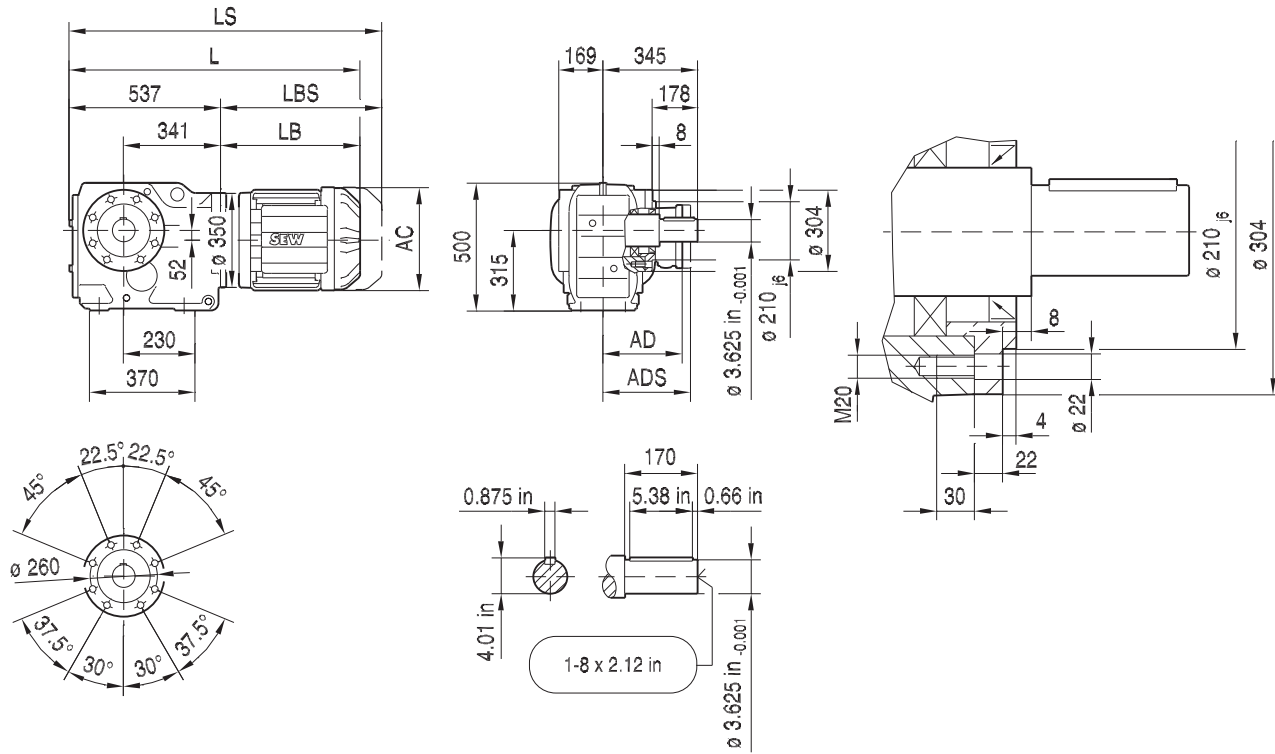


(→ 163)	DRN100L/LM	DRN112M	DRN132S	DRN132M	DRN132L	DRN160	DRN180	DRN200L	DRN225
AC	197	221	221	261	261	314	357	394	434
AD	157	170	170	228	228	253	268	283	305
ADS	158	172	172	228	228	253	268	283	305
L	869	900	950	968	994	1060	1083	1193	1167
LS	963	1012	1062	1106	1131	1249	1272	1398	1372
LB	332	363	413	431	457	523	546	656	630
LBS	426	475	525	569	594	712	735	861	835

Dimensions in mm unless noted as inch. For all available output shaft diameters, see page 718. For tolerances, see page 163.

KZ107..

33 356 00 16



10

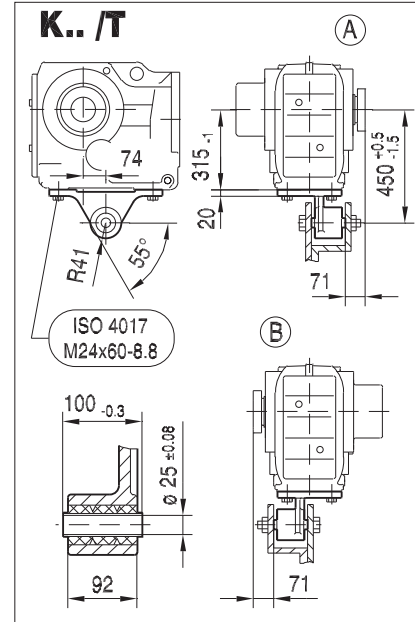
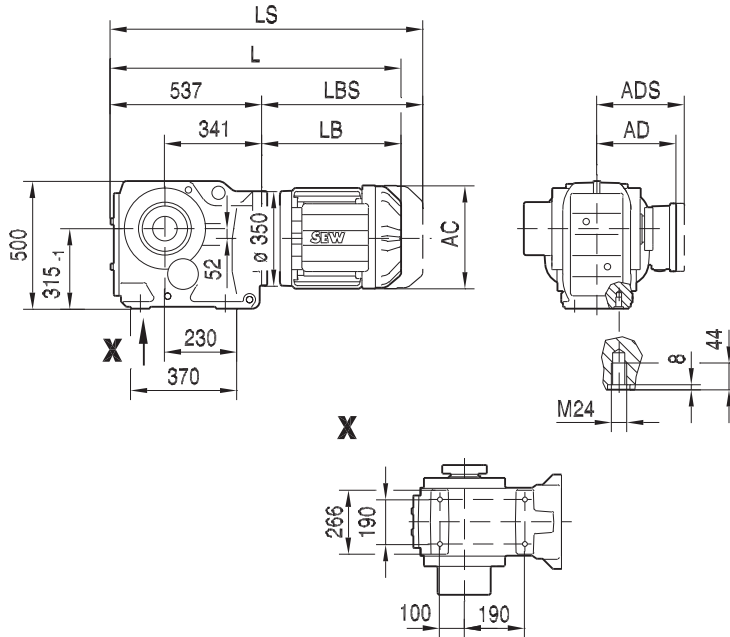
21933480/EN-US - 04/2018

(→ 163)	DRN100L/LM	DRN112M	DRN132S	DRN132M	DRN132L	DRN160	DRN180	DRN200L	DRN225
AC	197	221	221	261	261	314	357	394	434
AD	157	170	170	228	228	253	268	283	305
ADS	158	172	172	228	228	253	268	283	305
L	869	900	950	968	994	1060	1083	1193	1167
LS	963	1012	1062	1106	1131	1249	1272	1398	1372
LB	332	363	413	431	457	523	546	656	630
LBS	426	475	525	569	594	712	735	861	835

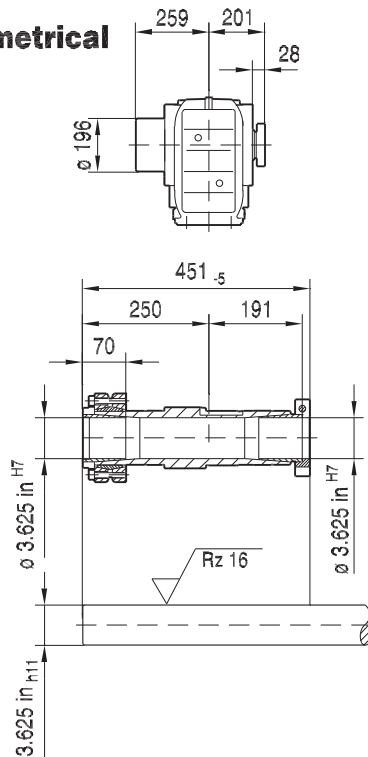
Dimensions in mm unless noted as inch. For all available output shaft diameters, see page 716. For tolerances, see page 163.

33 357 00 16

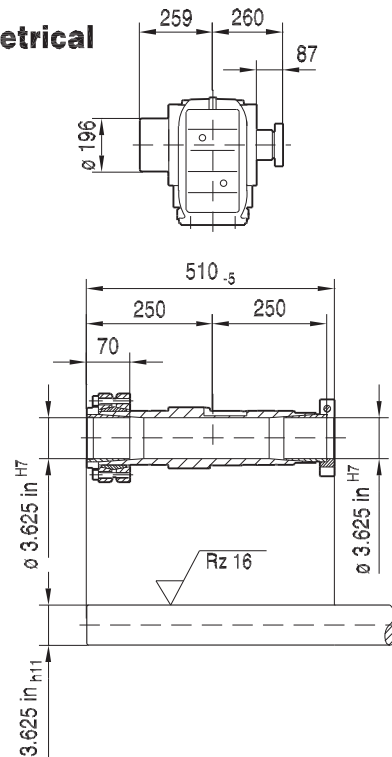
KT107..



NON-Symmetrical



Symmetrical

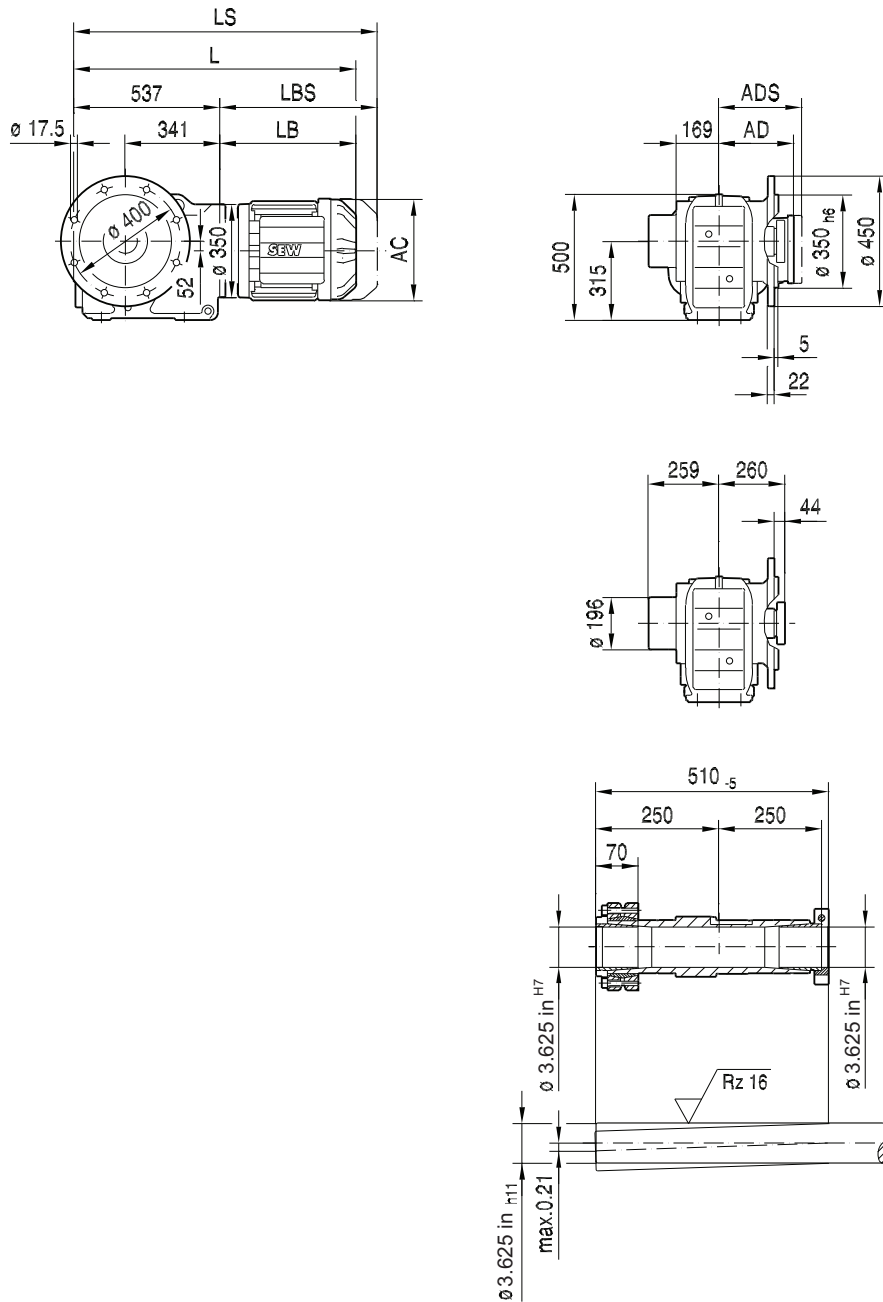


(→ 163)	DRN100L/LM	DRN112M	DRN132S	DRN132M	DRN132L	DRN160	DRN180	DRN200L	DRN225
AC	197	221	221	261	261	314	357	394	434
AD	157	170	170	228	228	253	268	283	305
ADS	158	172	172	228	228	253	268	283	305
L	869	900	950	968	994	1060	1083	1193	1167
LS	963	1012	1062	1106	1131	1249	1272	1398	1372
LB	332	363	413	431	457	523	546	656	630
LBS	426	475	525	569	594	712	735	861	835

Dimensions in mm unless noted as inch. For all available output shaft diameters, see page 720. For tolerances, see page 163.

KTF107..

33 102 02 13 US



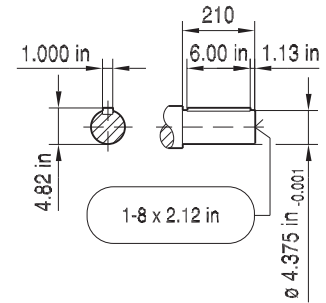
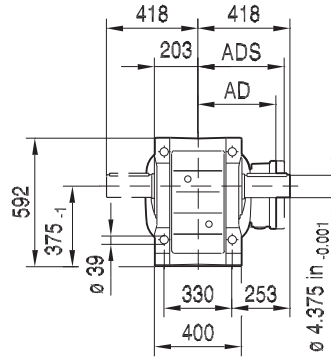
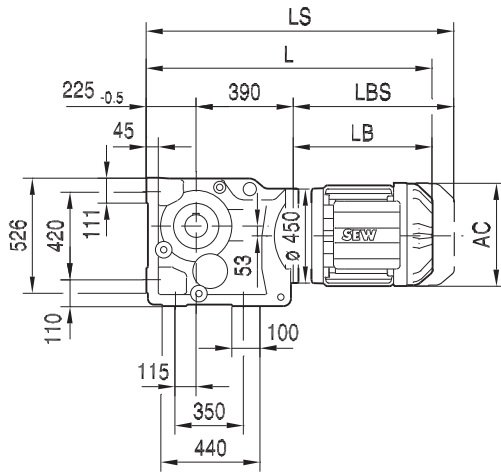
21933480/EN-US - 04/2018

(→ 163)	DRN100L/LM	DRN112M	DRN132S	DRN132M	DRN132L	DRN160	DRN180	DRN200L	DRN225
AC	197	221	221	261	261	314	357	394	434
AD	157	170	170	228	228	253	268	283	305
ADS	158	172	172	228	228	253	268	283	305
L	869	900	950	968	994	1060	1083	1193	1167
LS	963	1012	1062	1106	1131	1249	1272	1398	1372
LB	332	363	413	431	457	523	546	656	630
LBS	426	475	525	569	594	712	735	861	835

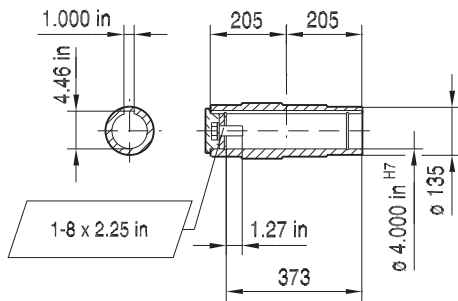
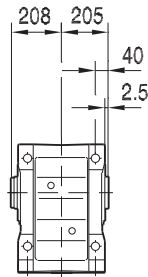
Dimensions in mm unless noted as inch. For all available output shaft diameters, see page 720. For tolerances, see page 163.

33 358 00 16

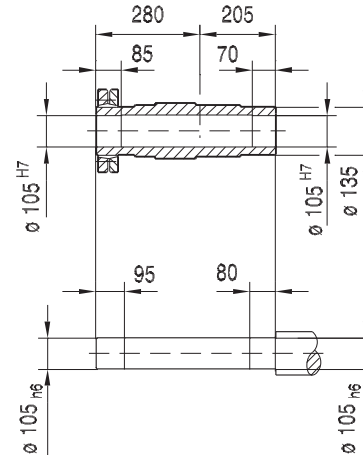
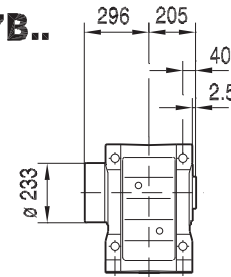
K127..



KA127B..



KH127B..



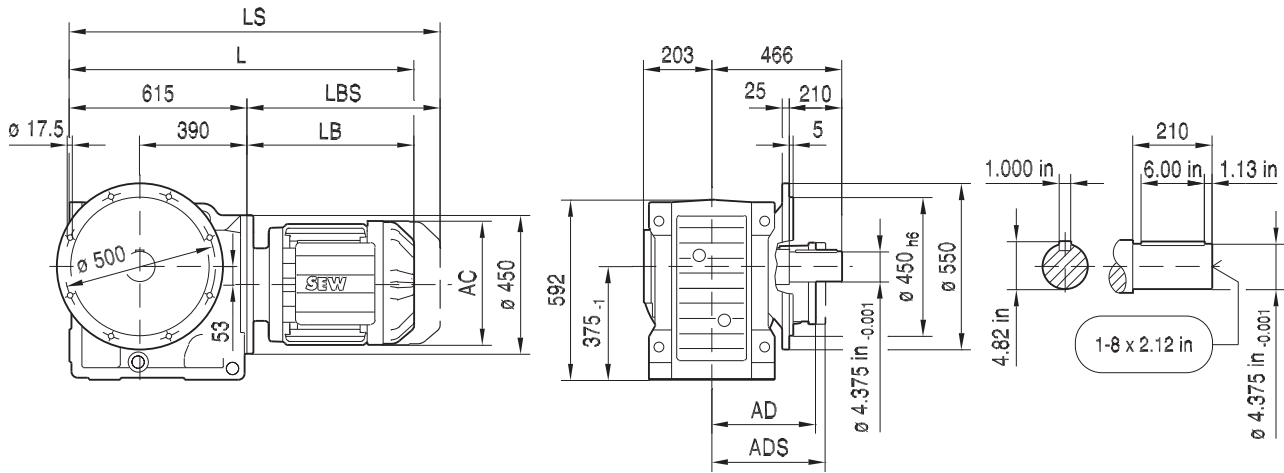
(→ 163)	DRN132S	DRN132M	DRN132L	DRN160	DRN180	DRN200L	DRN225	DRN250M	DRN280S	DRN280M
AC	221	261	261	314	357	394	434	495	495	495
AD	170	228	228	253	268	283	305	394	394	394
ADS	172	228	228	253	268	283	305	394	394	394
L	1013	1031	1057	1123	1146	1256	1230	1367	1367	1462
LS	1125	1169	1194	1312	1335	1461	1435	1607	1607	1702
LB	398	416	442	508	531	641	615	752	752	847
LBS	510	554	579	697	720	846	820	992	992	1087

Dimensions in mm unless noted as inch. For all available output shaft diameters, see page 716. For tolerances, see page 163.

221933480/EN-US - 04/2018

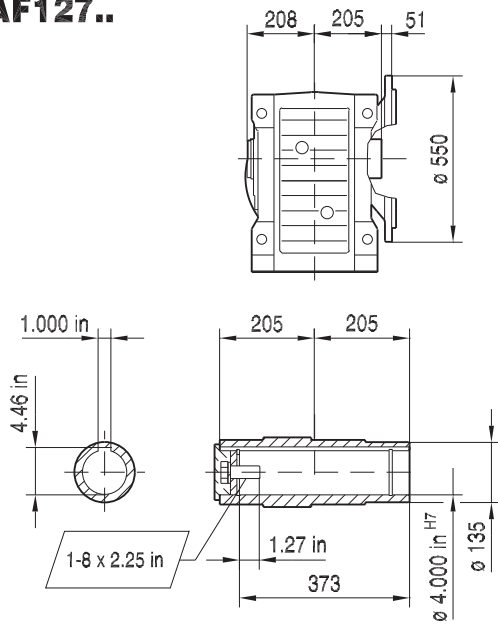
33 359 00 16

KF127..

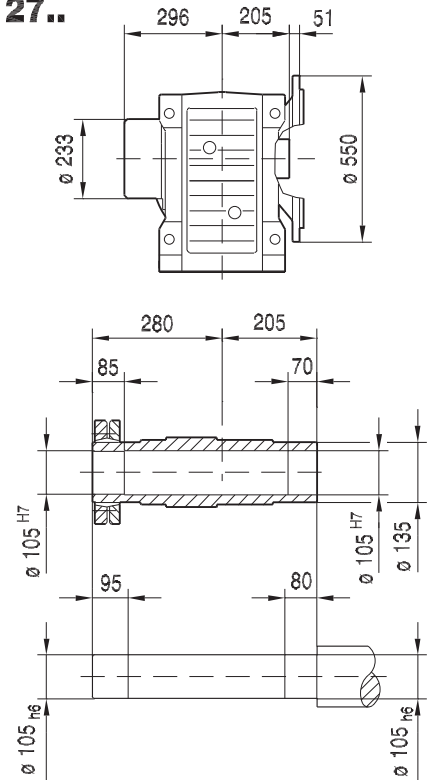


10

KAF127..



KHF127..

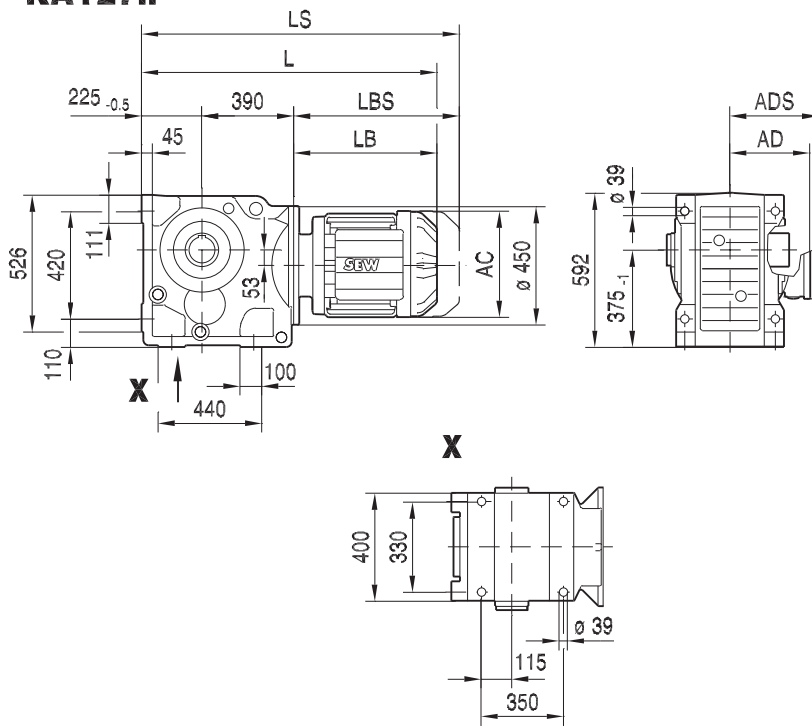


21933480/EN-US - 04/2018

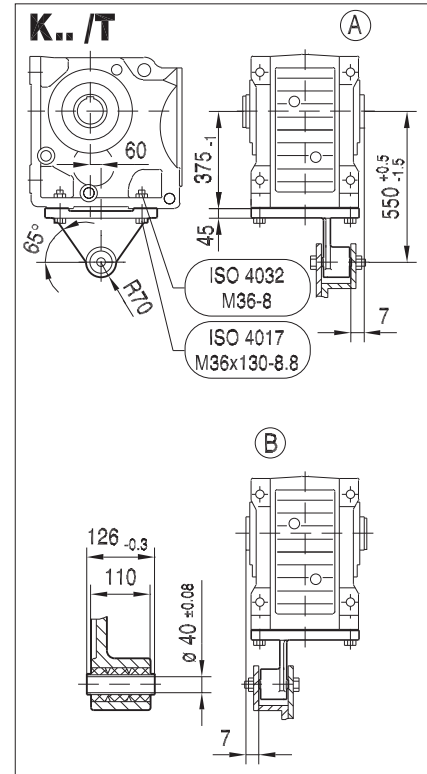
(→ 163)	DRN132S	DRN132M	DRN132L	DRN160	DRN180	DRN200L	DRN225	DRN250M	DRN280S	DRN280M
AC	221	261	261	314	357	394	434	495	495	495
AD	170	228	228	253	268	283	305	394	394	394
ADS	172	228	228	253	268	283	305	394	394	394
L	1013	1031	1057	1123	1146	1256	1230	1367	1367	1462
LS	1125	1169	1194	1312	1335	1461	1435	1607	1607	1702
LB	398	416	442	508	531	641	615	752	752	847
LBS	510	554	579	697	720	846	820	992	992	1087

Dimensions in mm unless noted as inch. For all available output shaft diameters, see page 716. For tolerances, see page 163.

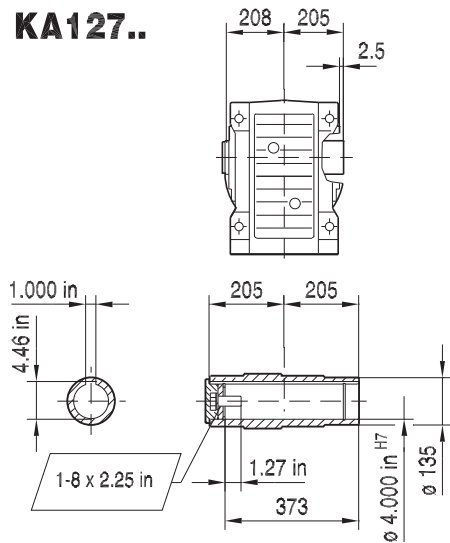
KA127..



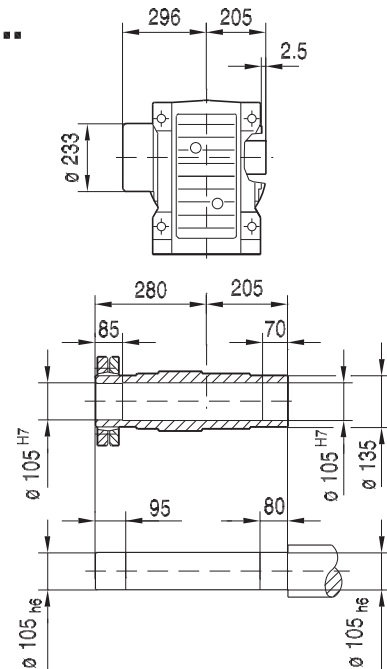
33 360 00 16



KA127..



KH127..

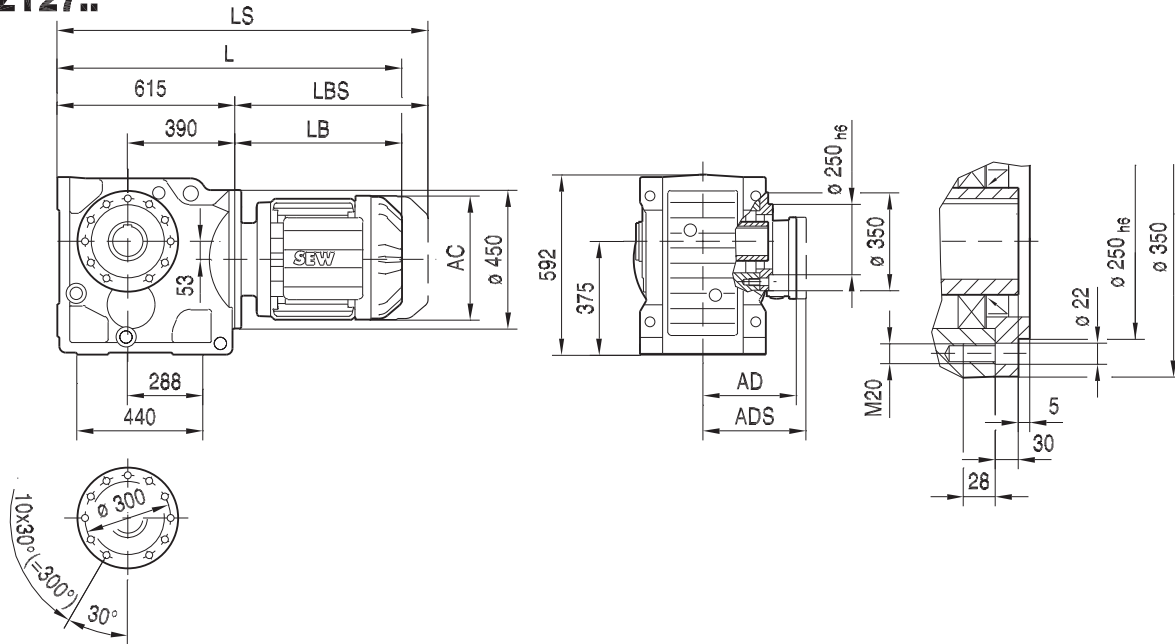


(→ 163)	DRN132S	DRN132M	DRN132L	DRN160	DRN180	DRN200L	DRN225	DRN250M	DRN280S	DRN280M
AC	221	261	261	314	357	394	434	495	495	495
AD	170	228	228	253	268	283	305	394	394	394
ADS	172	228	228	253	268	283	305	394	394	394
L	1013	1031	1057	1123	1146	1256	1230	1367	1367	1462
LS	1125	1169	1194	1312	1335	1461	1435	1607	1607	1702
LB	398	416	442	508	531	641	615	752	752	847
LBS	510	554	579	697	720	846	820	992	992	1087

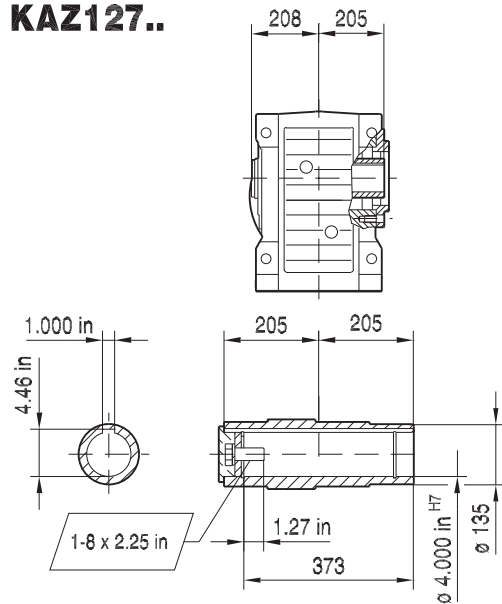
Dimensions in mm unless noted as inch. For all available output shaft diameters, see page 718. For tolerances, see page 163.

33 361 00 16

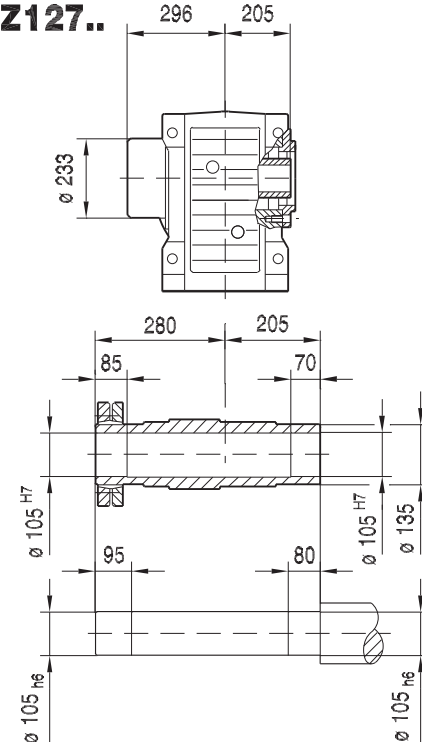
KAZ127..



KAZ127..



KHZ127..



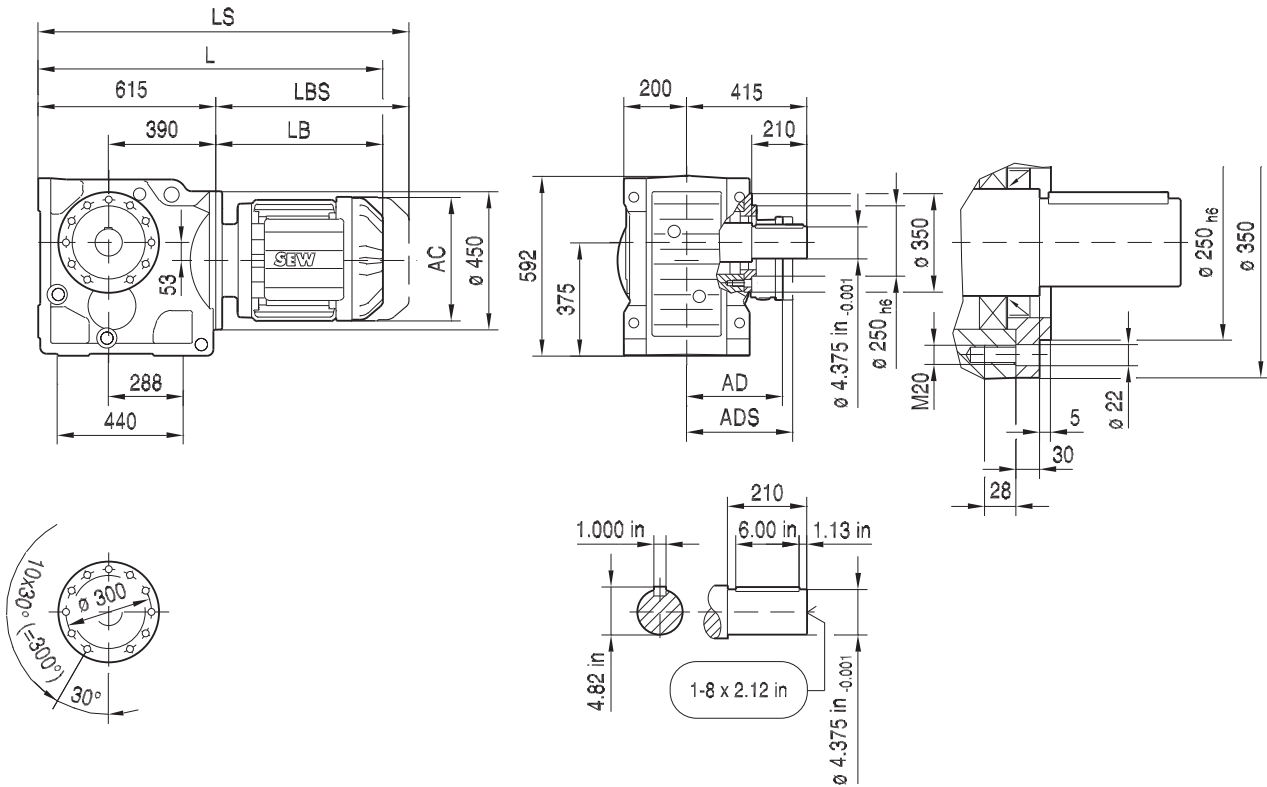
21933480/EN-US - 04/2018

(→ 163)	DRN132S	DRN132M	DRN132L	DRN160	DRN180	DRN200L	DRN225	DRN250M	DRN280S	DRN280M
AC	221	261	261	314	357	394	434	495	495	495
AD	170	228	228	253	268	283	305	394	394	394
ADS	172	228	228	253	268	283	305	394	394	394
L	1013	1031	1057	1123	1146	1256	1230	1367	1367	1462
LS	1125	1169	1194	1312	1335	1461	1435	1607	1607	1702
LB	398	416	442	508	531	641	615	752	752	847
LBS	510	554	579	697	720	846	820	992	992	1087

Dimensions in mm unless noted as inch. For all available output shaft diameters, see page 718. For tolerances, see page 163.

33 362 00 16

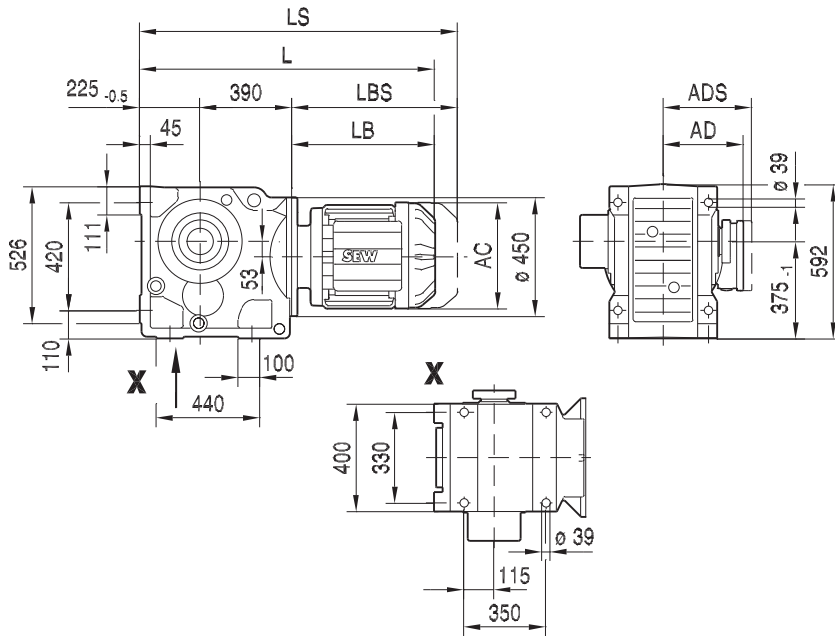
KZ127..



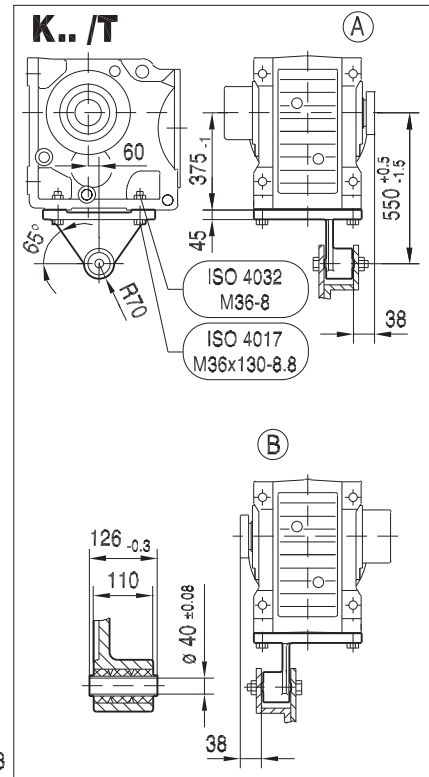
(→ 163)	DRN132S	DRN132M	DRN132L	DRN160	DRN180	DRN200L	DRN225	DRN250M	DRN280S	DRN280M
AC	221	261	261	314	357	394	434	495	495	495
AD	170	228	228	253	268	283	305	394	394	394
ADS	172	228	228	253	268	283	305	394	394	394
L	1013	1031	1057	1123	1146	1256	1230	1367	1367	1462
LS	1125	1169	1194	1312	1335	1461	1435	1607	1607	1702
LB	398	416	442	508	531	641	615	752	752	847
LBS	510	554	579	697	720	846	820	992	992	1087

Dimensions in mm unless noted as inch. For all available output shaft diameters, see page 716. For tolerances, see page 163.

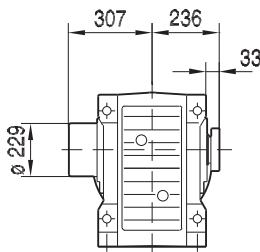
KT127..



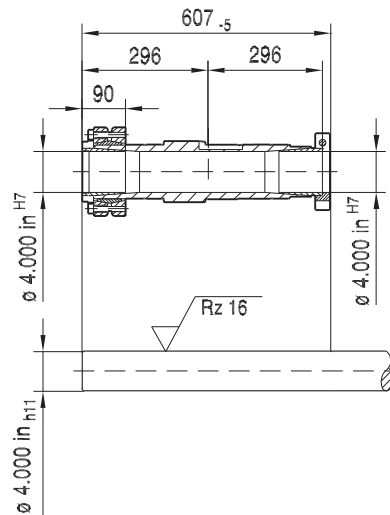
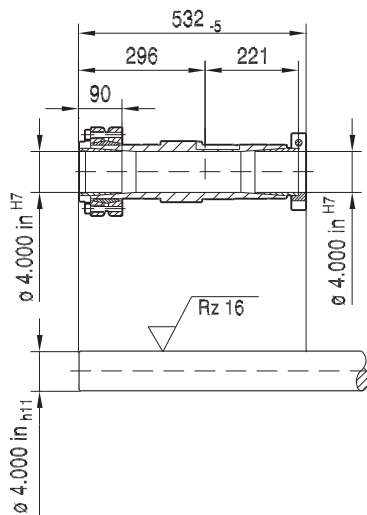
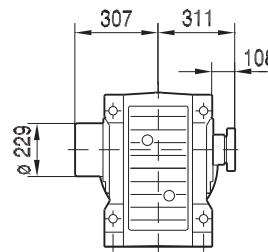
33 363 00 16



NON-Symmetrical



Symmetrical

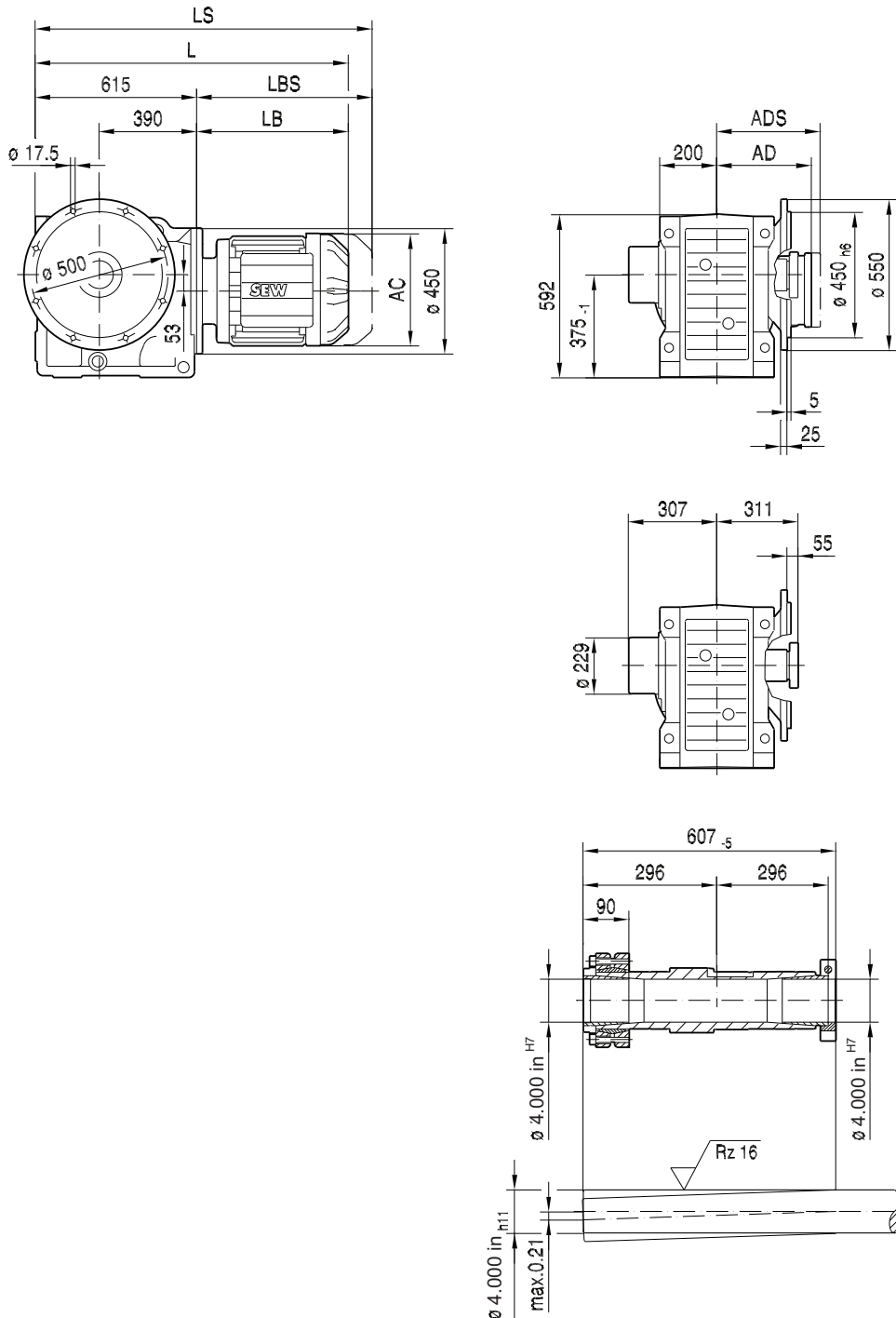


(→ 163)	DRN132S	DRN132M	DRN132L	DRN160	DRN180	DRN200L	DRN225	DRN250M	DRN280S	DRN280M
AC	221	261	261	314	357	394	434	495	495	495
AD	170	228	228	253	268	283	305	394	394	394
ADS	172	228	228	253	268	283	305	394	394	394
L	1013	1031	1057	1123	1146	1256	1230	1367	1367	1462
LS	1125	1169	1194	1312	1335	1461	1435	1607	1607	1702
LB	398	416	442	508	531	641	615	752	752	847
LBS	510	554	579	697	720	846	820	992	992	1087

Dimensions in mm unless noted as inch. For all available output shaft diameters, see page 720. For tolerances, see page 163.

33 103 02 13 US

KTF127..



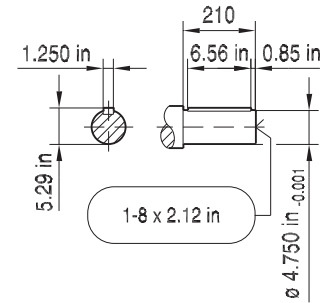
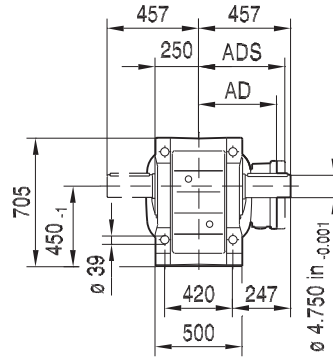
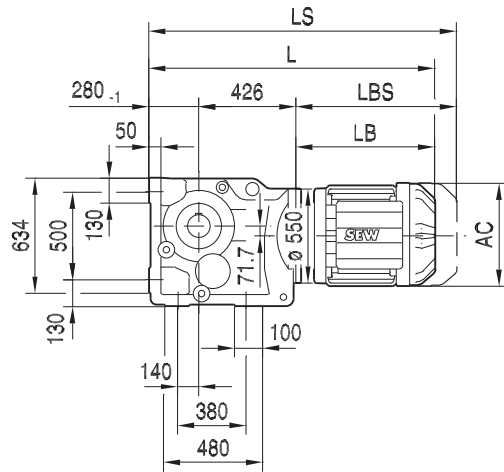
(→ 163)	DRN132S	DRN132M	DRN132L	DRN160	DRN180	DRN200L	DRN225	DRN250M	DRN280S	DRN280M
AC	221	261	261	314	357	394	434	495	495	495
AD	170	228	228	253	268	283	305	394	394	394
ADS	172	228	228	253	268	283	305	394	394	394
L	1013	1031	1057	1123	1146	1256	1230	1367	1367	1462
LS	1125	1169	1194	1312	1335	1461	1435	1607	1607	1702
LB	398	416	442	508	531	641	615	752	752	847
LBS	510	554	579	697	720	846	820	992	992	1087

Dimensions in mm unless noted as inch. For all available output shaft diameters, see page 720. For tolerances, see page 163.

221933480/EN-US - 04/2018

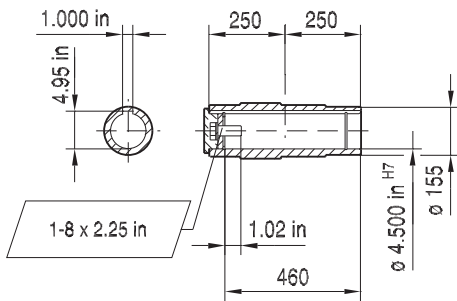
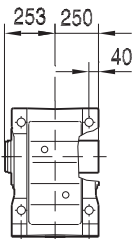
33 364 00 16

K157..

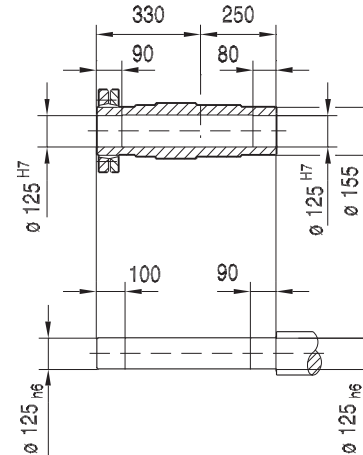
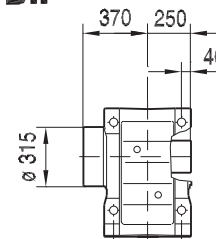


10

KA157B..



KH157B..

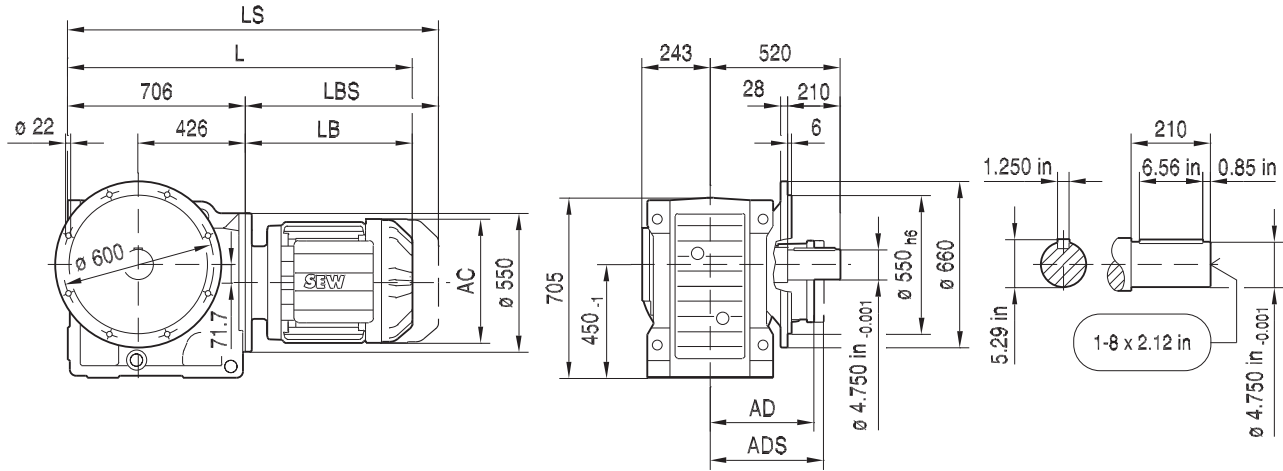


21933480/EN-US - 04/2018

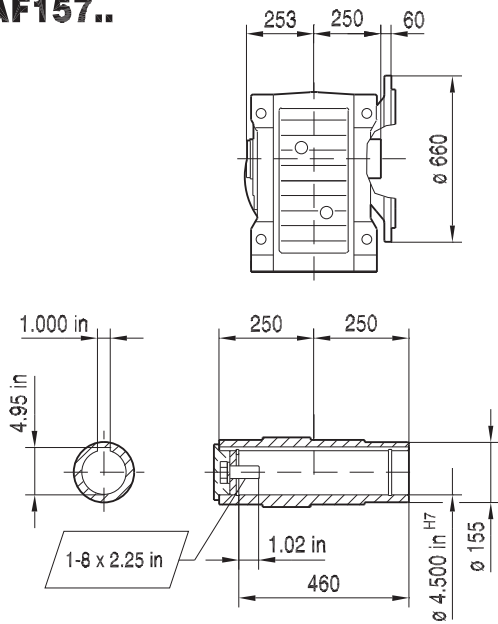
(→ 163)	DRN160	DRN180	DRN200L	DRN225	DRN250M	DRN280S	DRN280M	DRN315S/M	DRN315ME/H
AC	314	357	394	434	495	495	495	624	624
AD	253	268	283	305	394	394	394	506	506
ADS	253	268	283	305	394	394	394	506	506
L	1206	1229	1339	1313	1450	1450	1545	1647	1777
LS	1395	1418	1544	1518	1690	1690	1785	1898	2028
LB	500	523	633	607	744	744	839	941	1071
LBS	689	712	838	812	984	984	1079	1192	1322

Dimensions in mm unless noted as inch. For all available output shaft diameters, see page 716. For tolerances, see page 163.

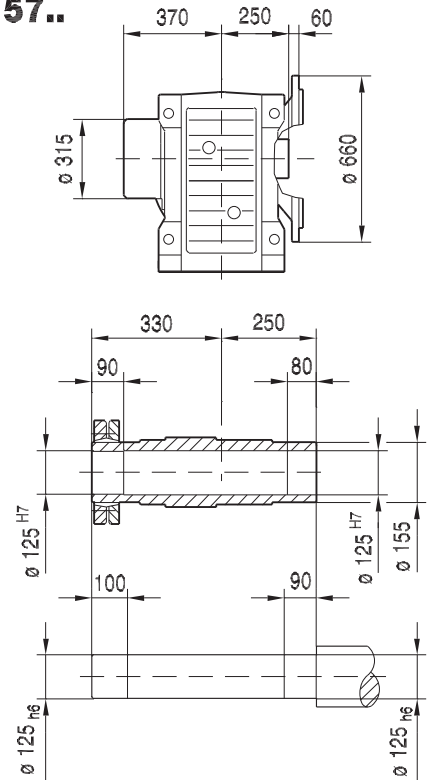
KF157..



KAF157..



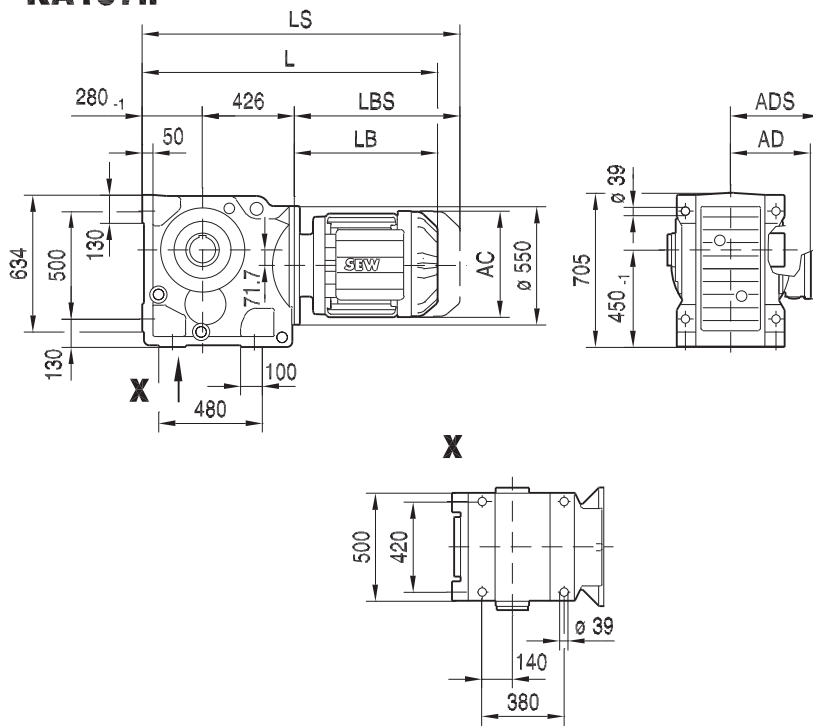
KHF157..



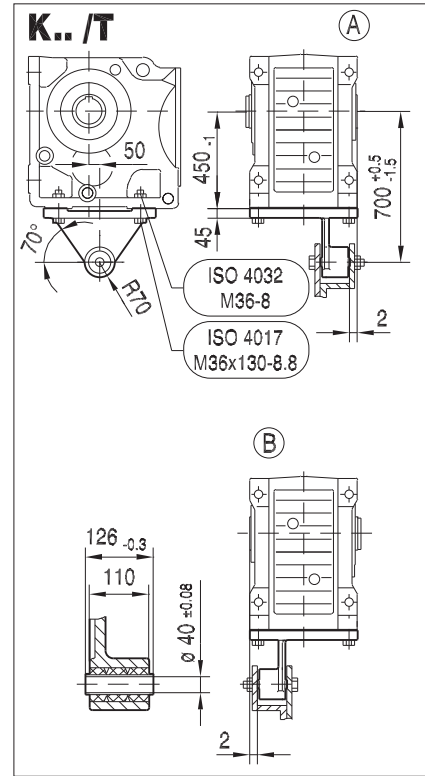
(→ 163)	DRN160	DRN180	DRN200L	DRN225	DRN250M	DRN280S	DRN280M	DRN315S/M	DRN315ME/H
AC	314	357	394	434	495	495	495	624	624
AD	253	268	283	305	394	394	394	506	506
ADS	253	268	283	305	394	394	394	506	506
L	1206	1229	1339	1313	1450	1450	1545	1647	1777
LS	1395	1418	1544	1518	1690	1690	1785	1898	2028
LB	500	523	633	607	744	744	839	941	1071
LBS	689	712	838	812	984	984	1079	1192	1322

Dimensions in mm unless noted as inch. For all available output shaft diameters, see page 716. For tolerances, see page 163.

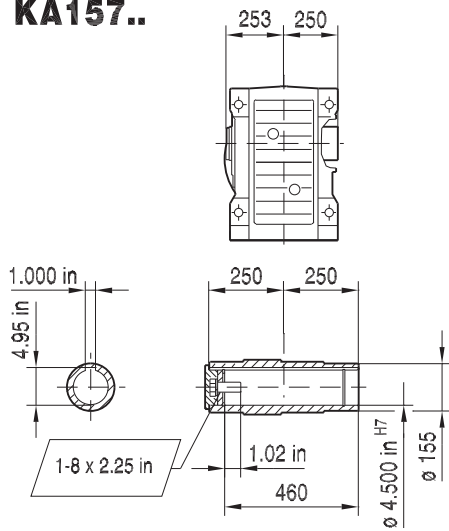
KA157..



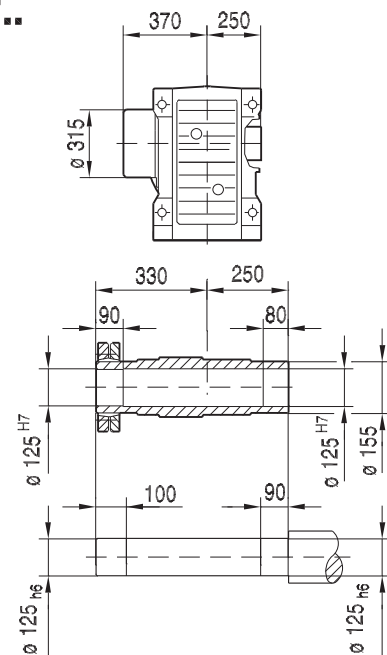
33 366 00 16



KA157..



KH157..

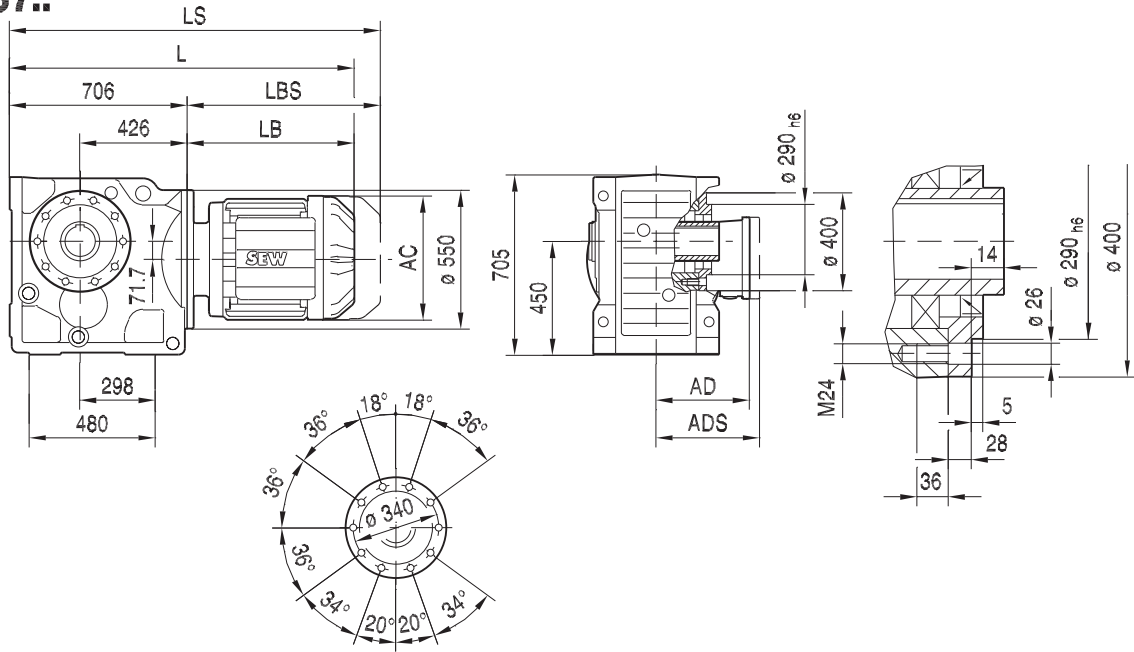


(→ 163)	DRN160	DRN180	DRN200L	DRN225	DRN250M	DRN280S	DRN280M	DRN315S/M	DRN315ME/H
AC	314	357	394	434	495	495	495	624	624
AD	253	268	283	305	394	394	394	506	506
ADS	253	268	283	305	394	394	394	506	506
L	1206	1229	1339	1313	1450	1450	1545	1647	1777
LS	1395	1418	1544	1518	1690	1690	1785	1898	2028
LB	500	523	633	607	744	744	839	941	1071
LBS	689	712	838	812	984	984	1079	1192	1322

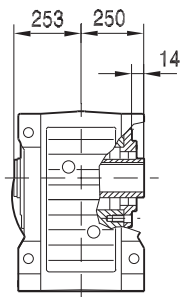
Dimensions in mm unless noted as inch. For all available output shaft diameters, see page 718. For tolerances, see page 163.

21933480/EN-US - 04/2018

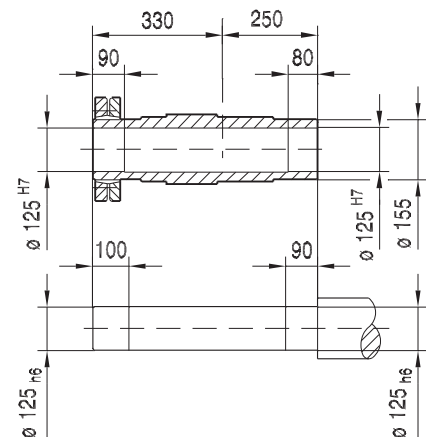
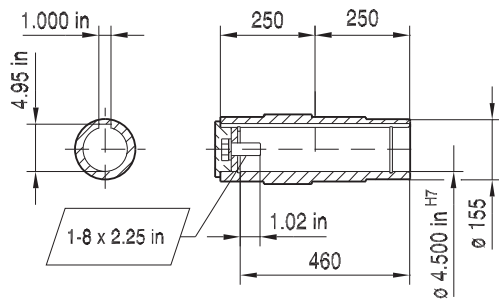
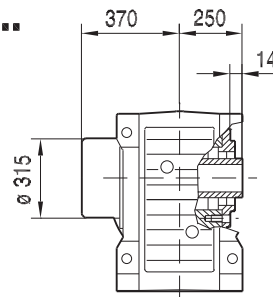
KAZ157..



KAZ157..



KHZ157..

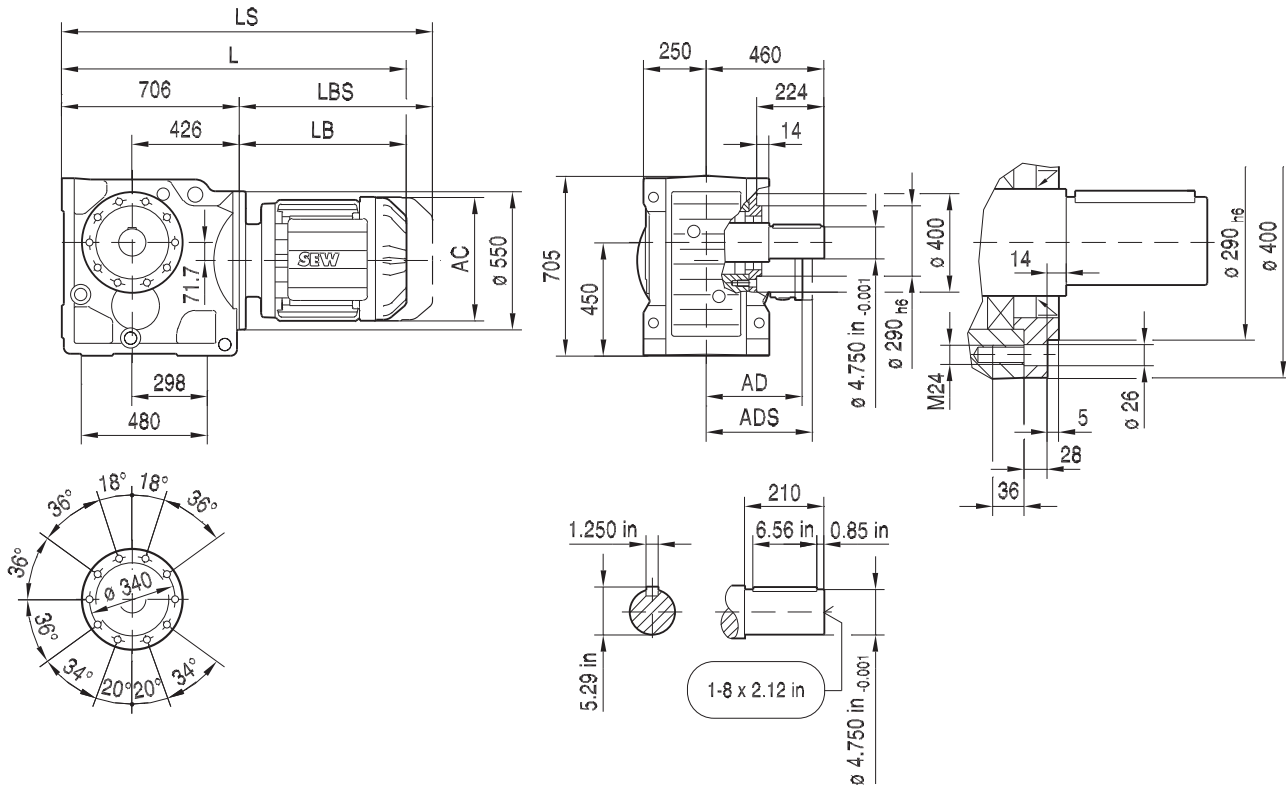


(→ 163)	DRN160	DRN180	DRN200L	DRN225	DRN250M	DRN280S	DRN280M	DRN315S/M	DRN315ME/H
AC	314	357	394	434	495	495	495	624	624
AD	253	268	283	305	394	394	394	506	506
ADS	253	268	283	305	394	394	394	506	506
L	1206	1229	1339	1313	1450	1450	1545	1647	1777
LS	1395	1418	1544	1518	1690	1690	1785	1898	2028
LB	500	523	633	607	744	744	839	941	1071
LBS	689	712	838	812	984	984	1079	1192	1322

Dimensions in mm unless noted as inch. For all available output shaft diameters, see page 718. For tolerances, see page 163.

33 368 00 16

KZ157..



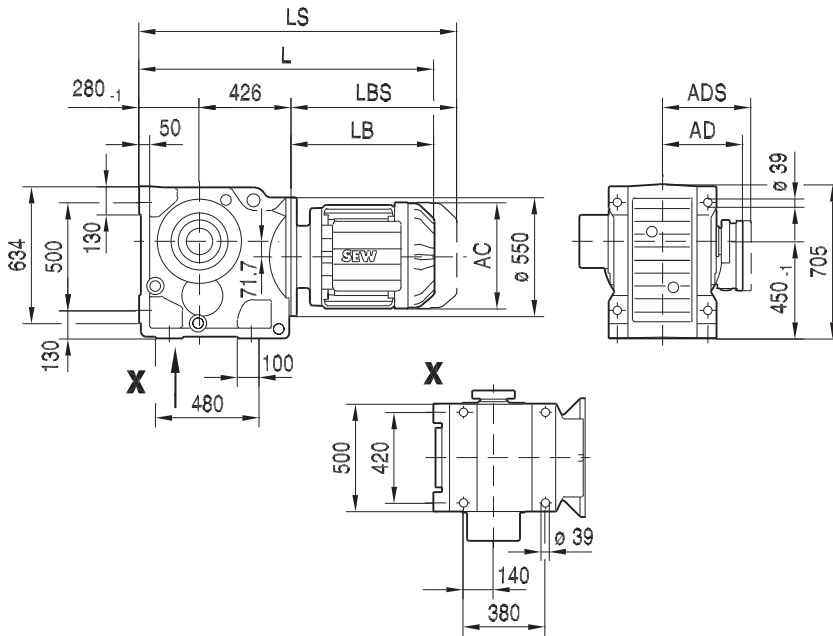
10

21933480/EN-US - 04/2018

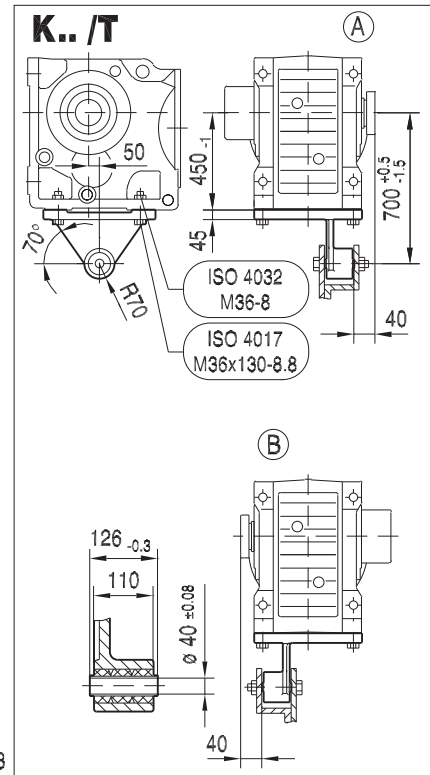
(→ 163)	DRN160	DRN180	DRN200L	DRN225	DRN250M	DRN280S	DRN280M	DRN315S/M	DRN315ME/H
AC	314	357	394	434	495	495	495	624	624
AD	253	268	283	305	394	394	394	506	506
ADS	253	268	283	305	394	394	394	506	506
L	1206	1229	1339	1313	1450	1450	1545	1647	1777
LS	1395	1418	1544	1518	1690	1690	1785	1898	2028
LB	500	523	633	607	744	744	839	941	1071
LBS	689	712	838	812	984	984	1079	1192	1322

Dimensions in mm unless noted as inch. For all available output shaft diameters, see page 716. For tolerances, see page 163.

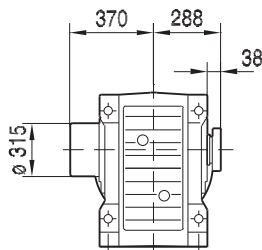
KT157..



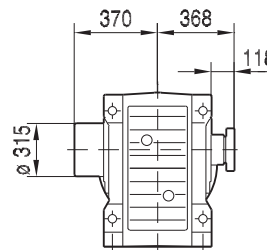
33 369 00 16



NON-Symmetrical



Symmetrical



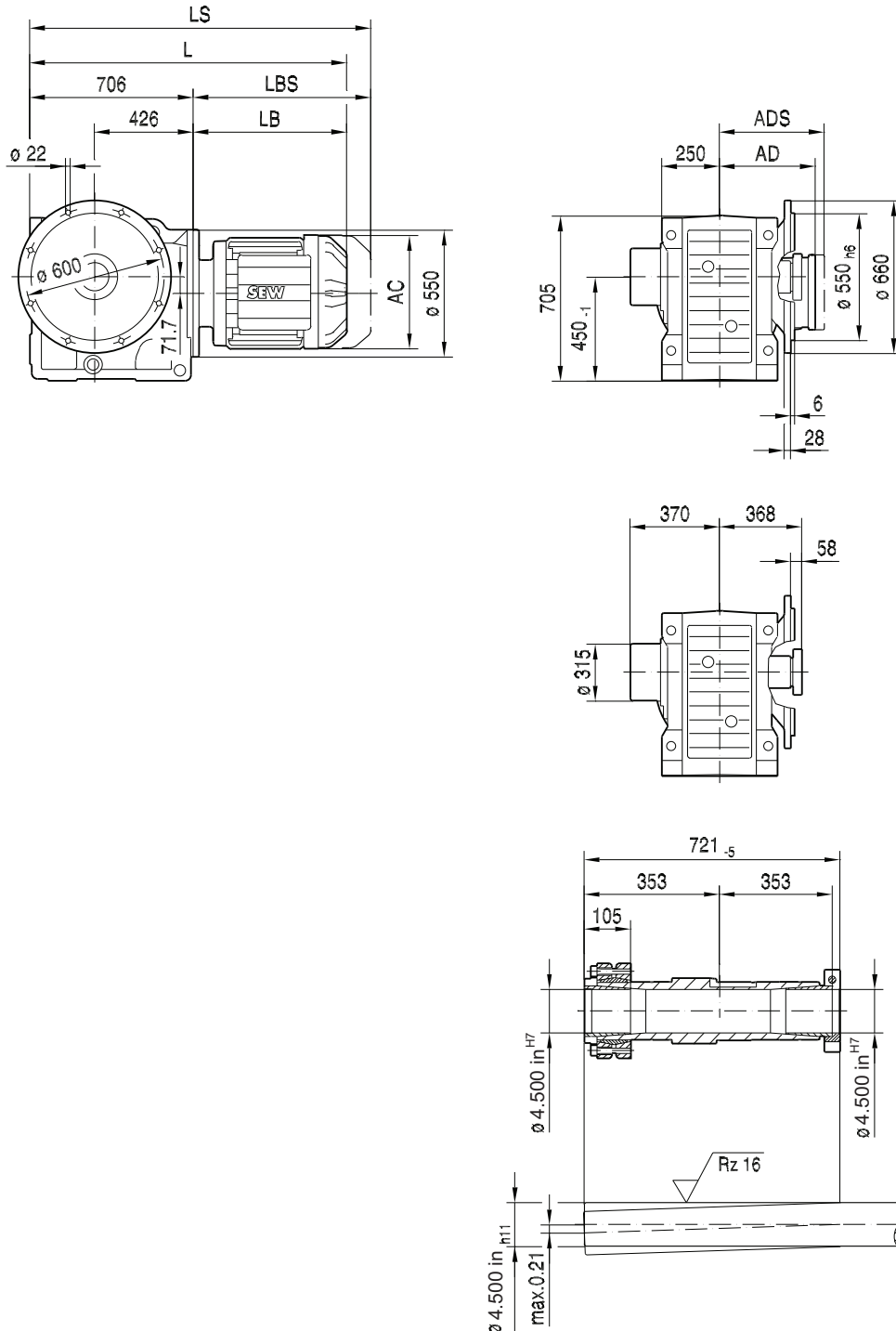
(→ 163)	DRN160	DRN180	DRN200L	DRN225	DRN250M	DRN280S	DRN280M	DRN315S/M	DRN315ME/H
AC	314	357	394	434	495	495	495	624	624
AD	253	268	283	305	394	394	394	506	506
ADS	253	268	283	305	394	394	394	506	506
L	1206	1229	1339	1313	1450	1450	1545	1647	1777
LS	1395	1418	1544	1518	1690	1690	1785	1898	2028
LB	500	523	633	607	744	744	839	941	1071
LBS	689	712	838	812	984	984	1079	1192	1322

Dimensions in mm unless noted as inch. For all available output shaft diameters, see page 720. For tolerances, see page 163.

221933480/EN-US - 04/2018

33 104 02 13 US

KTF157..



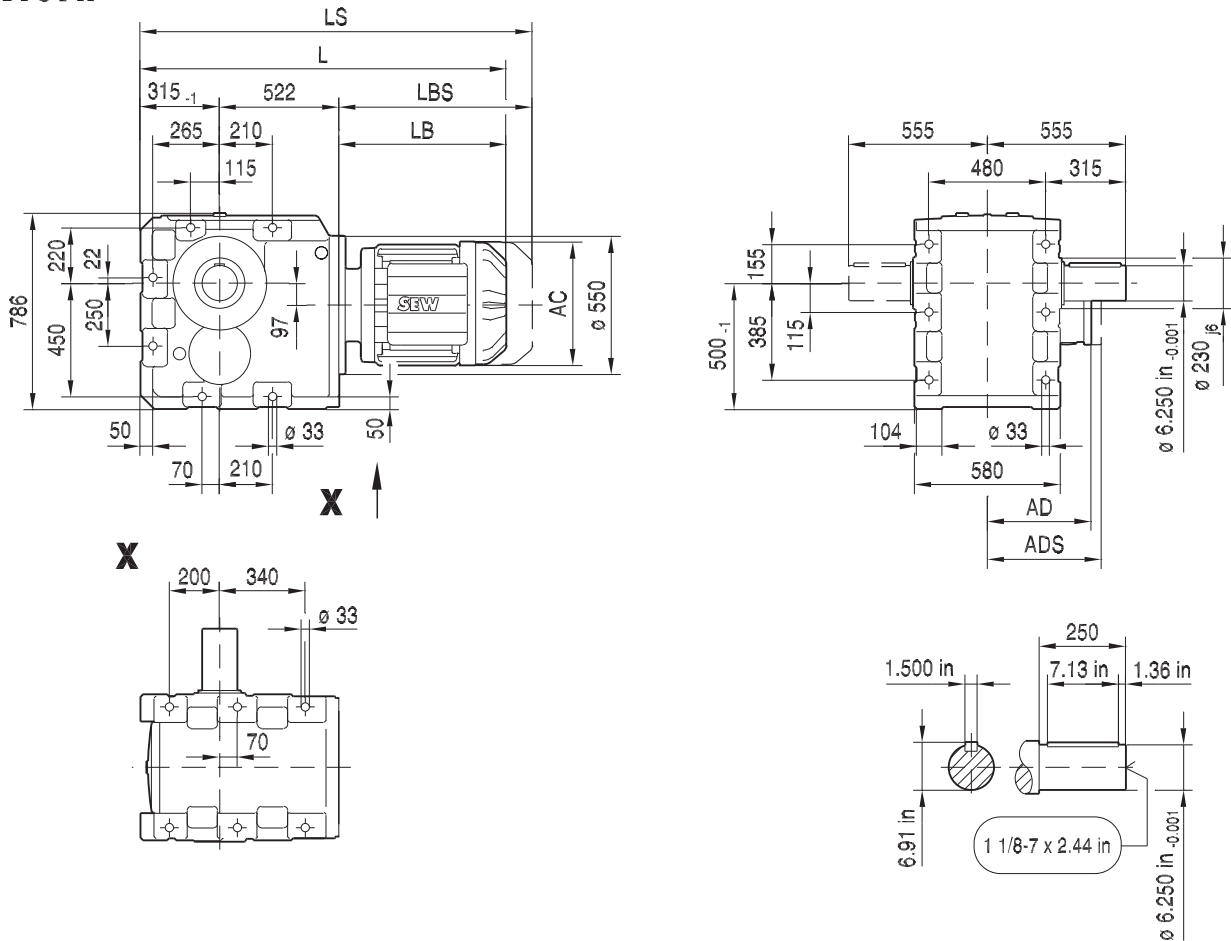
10

(→ 163)	DRN160	DRN180	DRN200L	DRN225	DRN250M	DRN280S	DRN280M	DRN315S/M	DRN315ME/H
AC	314	357	394	434	495	495	495	624	624
AD	253	268	283	305	394	394	394	506	506
ADS	253	268	283	305	394	394	394	506	506
L	1206	1229	1339	1313	1450	1450	1545	1647	1777
LS	1395	1418	1544	1518	1690	1690	1785	1898	2028
LB	500	523	633	607	744	744	839	941	1071
LBS	689	712	838	812	984	984	1079	1192	1322

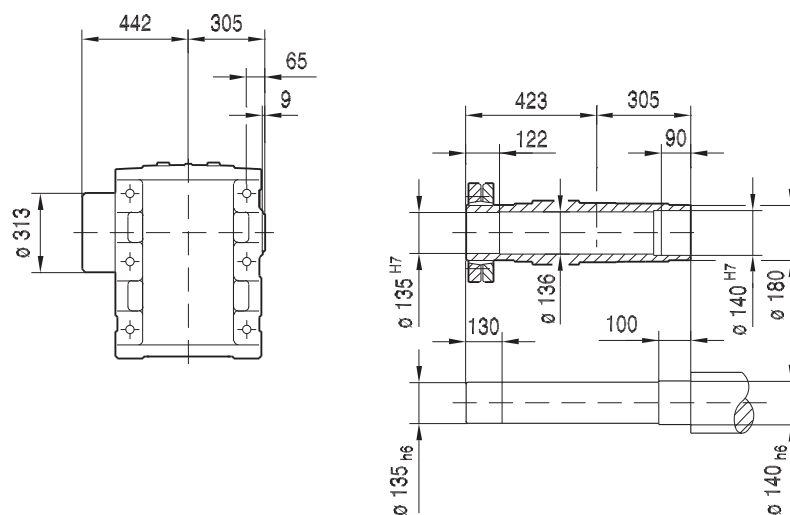
Dimensions in mm unless noted as inch. For all available output shaft diameters, see page 720. For tolerances, see page 163.

21933480/EN-US - 04/2018

K167..



KH167B..

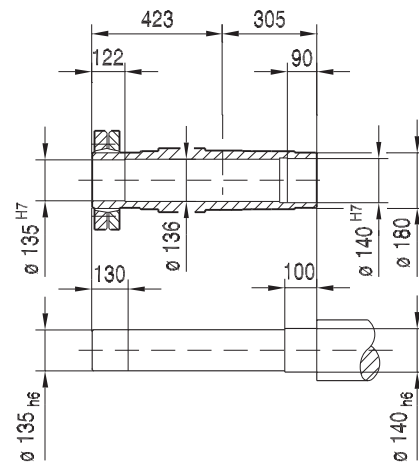
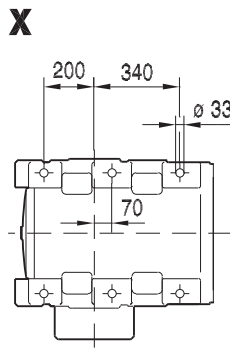
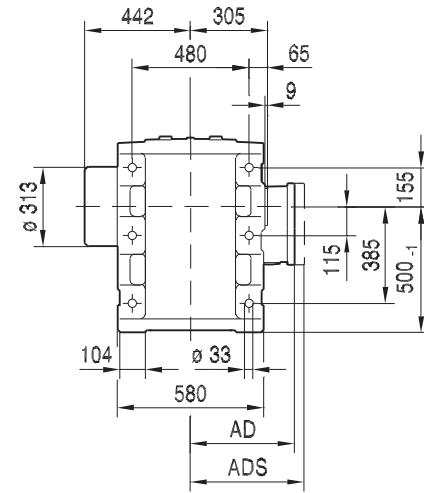
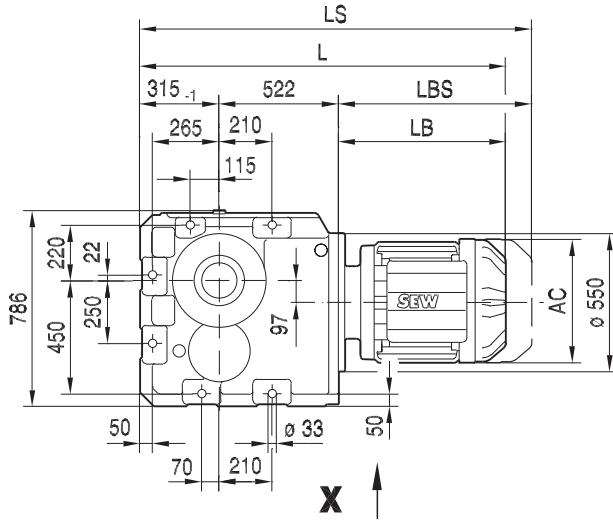


(→ 163)	DRN160	DRN180	DRN200L	DRN225	DRN250M	DRN280S	DRN280M	DRN315S/M	DRN315ME/H
AC	314	357	394	434	495	495	495	624	624
AD	253	268	283	305	394	394	394	506	506
ADS	253	268	283	305	394	394	394	506	506
L	1337	1360	1470	1444	1581	1581	1676	1778	1908
LS	1526	1549	1675	1649	1821	1821	1916	2029	2159
LB	500	523	633	607	744	744	839	941	1071
LBS	689	712	838	812	984	984	1079	1192	1322

Dimensions in mm unless noted as inch. For all available output shaft diameters, see page 716. For tolerances, see page 163.

33 371 00 16

KH167..



10

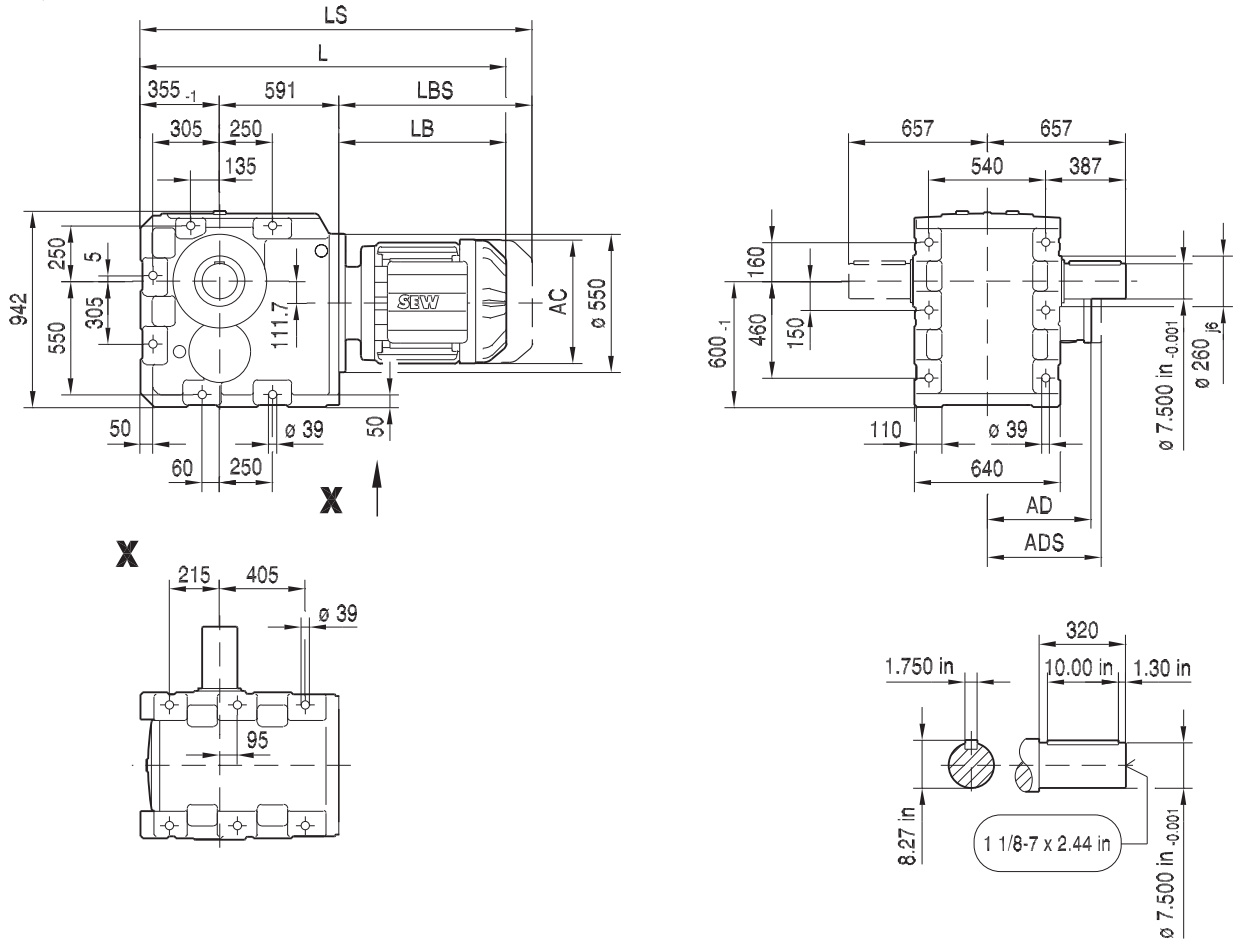
21933480/EN-US - 04/2018

(→ 163)	DRN160	DRN180	DRN200L	DRN225	DRN250M	DRN280S	DRN280M	DRN315S/M	DRN315ME/H
AC	314	357	394	434	495	495	495	624	624
AD	253	268	283	305	394	394	394	506	506
ADS	253	268	283	305	394	394	394	506	506
L	1337	1360	1470	1444	1581	1581	1676	1778	1908
LS	1526	1549	1675	1649	1821	1821	1916	2029	2159
LB	500	523	633	607	744	744	839	941	1071
LBS	689	712	838	812	984	984	1079	1192	1322

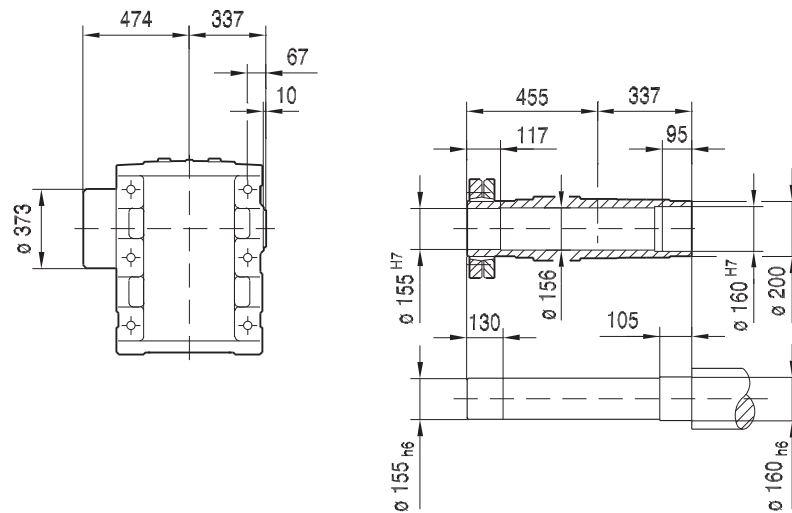
Dimensions in mm unless noted as inch. For tolerances, see page 163.

33 372 00 16

K187..



KH187B..



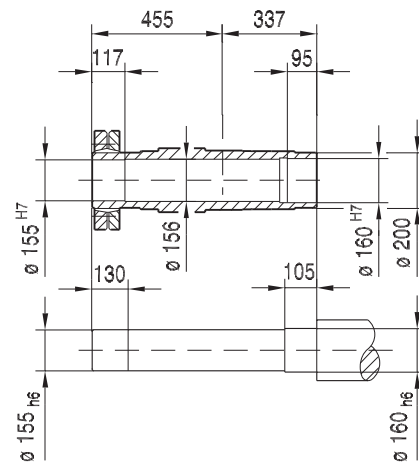
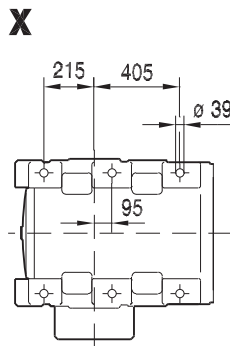
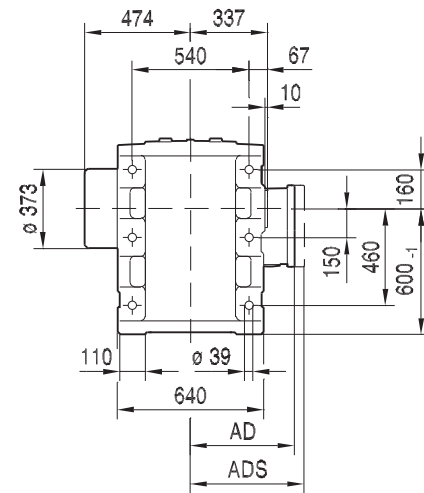
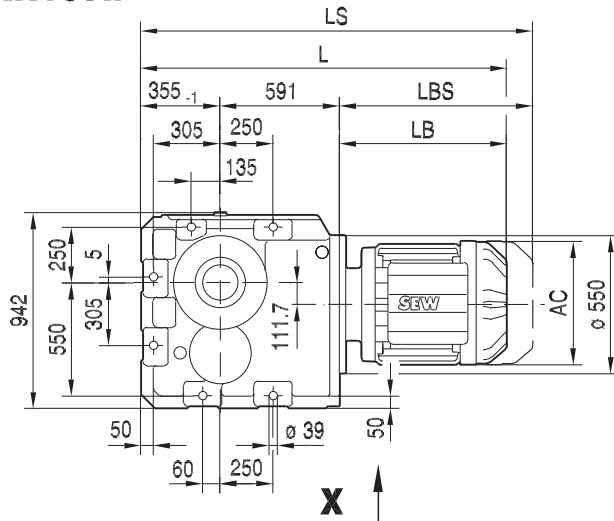
(→ 163)	DRN180	DRN200L	DRN225	DRN250M	DRN280S	DRN280M	DRN315S/M	DRN315ME/H
AC	357	394	434	495	495	495	624	624
AD	268	283	305	394	394	394	506	506
ADS	268	283	305	394	394	394	506	506
L	1469	1579	1553	1690	1690	1785	1887	2017
LS	1658	1784	1758	1930	1930	2025	2138	2268
LB	523	633	607	744	744	839	941	1071
LBS	712	838	812	984	984	1079	1192	1322

Dimensions in mm unless noted as inch. For all available output shaft diameters, see page 716. For tolerances, see page 163.

221933480/EN-US - 04/2018

33 373 00 16

KH187..



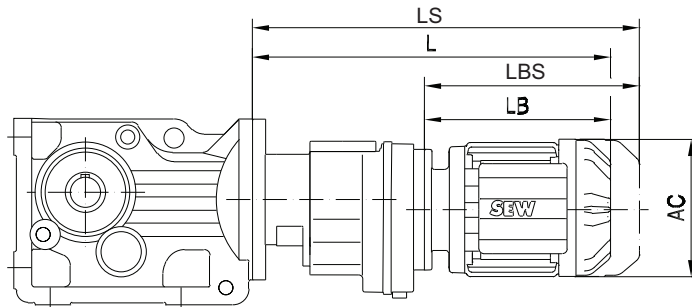
10

21933480/EN-US - 04/2018

(→ 163)	DRN180	DRN200L	DRN225	DRN250M	DRN280S	DRN280M	DRN315S/M	DRN315ME/H
AC	357	394	434	495	495	495	624	624
AD	268	283	305	394	394	394	506	506
ADS	268	283	305	394	394	394	506	506
L	1469	1579	1553	1690	1690	1785	1887	2017
LS	1658	1784	1758	1930	1930	2025	2138	2268
LB	523	633	607	744	744	839	941	1071
LBS	712	838	812	984	984	1079	1192	1322

Dimensions in mm unless noted as inch. For tolerances, see page 163.

10.6 K..R.. DRS/DRN.. Compound dimensions



33 133 00 06

All dimensions shown in mm.

Gear	Motor	AC	L	LS	LB	LBS
K..37R17	DR63	132	324	329	149	204
	DRS71S	139	335	403	160	228
	DRS71M	139	360	428	185	229
K..39R17	DR63	132	324	379	149	204
	DRS71S	139	335	403	160	204
	DRS71M	139	360	428	185	229
K..47R37	DR63	132	356	411	191	246
	DRS71S	139	368	434	202	269
	DRS71M	139	392	459	227	294
	DRN80M	156	446	527	281	362
K..49R37	DRN90S	179	448	561	283	376
	DR63	132	348	403	191	246
	DRS71S	139	359	426	202	269
	DRS71M	139	384	451	227	294
	DRN80M	156	438	519	281	362
K..57R37	DRN90S	179	440	553	283	376
	DR63	132	356	411	191	246
	DRS71S	139	367	434	202	269
	DRS71M	139	392	459	227	294
	DRN80M	156	446	527	281	362
	DRN90S	179	448	541	283	376
K..67R37	DRN90L	179	480	573	315	408
	DR63	132	356	411	191	246
	DRS71S	139	367	434	202	269
	DRS71M	139	392	459	227	294
	DRN80M	156	446	527	281	362
	DRN90S	179	448	541	283	376
	DRN90L	179	480	573	315	408
K..77R37	DR63	132	348	403	191	246
	DRS71S	139	359	426	202	269
	DRS71M	139	384	451	227	294
	DRN80M	156	438	519	281	362
	DRN90S	179	440	533	283	376
	DRN90L	179	472	565	315	408
	DRN100L/LM	197	520	613	363	456
K..87R57	DR63	132	412	467	185	240
	DRS71S	139	423	491	196	264
	DRS71M	139	448	516	221	289
	DRN80M	156	502	583	275	356
	DRN90S	179	504	597	277	370
	DRN90L	179	536	629	309	402
	DRN100L/LM	197	583	676	355	448

Gear	Motor	AC	L	LS	LB	LBS
K..97R57	DR63	132	407	462	185	240
	DRS71S	139	418	486	196	264
	DRS71M	139	443	511	221	289
	DRN80M	156	497	578	275	356
	DRN90S	179	499	592	277	370
	DRN90L	179	531	624	309	402
	DRN100L/LM	197	578	671	355	448
	DRN112M	221	608	720	386	498
	DRN132S	221	662	774	440	552
K..107R77	DR63	132	425	480	178	233
	DRS71S	139	436	504	189	257
	DRS71M	139	461	529	214	282
	DRN80M	156	515	596	268	349
	DRN90S	179	517	610	270	363
	DRN90L	179	549	642	302	395
	DRN100L/LM	197	595	688	348	441
	DRN112M	221	626	738	379	491
	DRN132S	221	676	788	429	541
	DRN132M	261	692	831	445	584
K..127R77	DRN132L	261	717	856	470	609
	DR63	132	410	465	178	233
	DRS71S	139	421	489	189	257
	DRS71M	139	446	514	214	282
	DRN80M	156	500	581	268	349
	DRN90S	179	502	595	270	363
	DRN90L	179	534	627	302	395
	DRN100LS	197	530	623	298	391
	DRN100L/LM	197	580	673	348	441
	DRN112M	221	611	723	379	491
	DRN132S	221	661	773	429	541
K..127R87	DRN132M	261	679	817	447	585
	DRN90L	179	577	670	297	390
	DRN100L/LM	197	623	716	343	436
	DRN112M	221	654	766	374	486
	DRN132S	221	704	816	424	536
	DRN132M	261	720	859	440	579
	DRN132L	261	745	884	465	604
	DRN160M	314	814	1003	534	723
	DRN160L	314	814	1003	534	723

221933480/EN-US - 04/2018

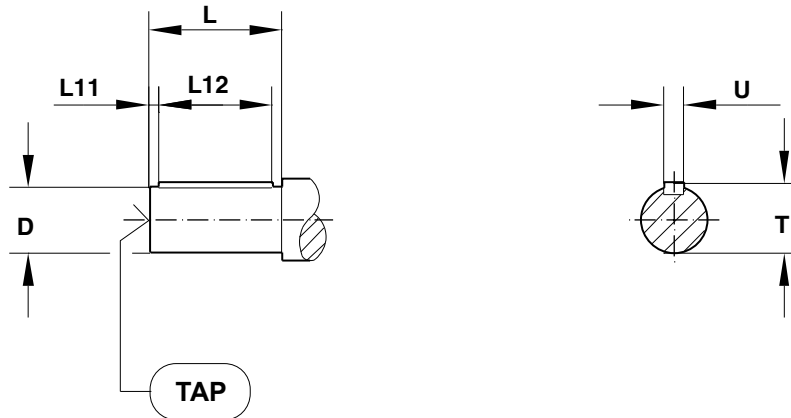
Gear	Motor	AC	L	LS	LB	LB
K..157R97	DRS71M	139	529	597	204	272
	DRN80M	156	583	664	258	339
	DRN90S	179	585	678	260	353
	DRN90L	179	617	710	292	385
	DRN100L/LM	197	663	756	338	431
	DRN112M	221	694	806	369	481
	DRN132S	221	744	856	419	531
	DRN132M	261	760	899	435	574
	DRN132L	261	785	924	460	599
	DRN160M	314	854	1043	529	718
	DRN160L	314	854	1043	529	718
	K..157R107	DRN132L	261	836	975	454
DRN160M		314	905	1094	523	712
DRN160L		314	905	1094	523	712
DRN180M		357	930	1119	548	737
DRN180L		357	930	1119	548	737
DRN200L		394	1038	1243	656	861
DRN225S		434	1012	1217	630	835
DRN225M		434	1012	1217	630	835
K..167R97	DRS71M	139	529	597	204	272
	DRN80M	156	583	664	258	339
	DRN90S	179	585	678	260	353
	DRN90L	179	617	710	292	385
	DRN100L/LM	197	663	756	338	431
	DRN112M	221	694	806	369	481
	DRN132S	221	744	856	419	531
	DRN132M	261	760	899	435	574
	DRN132L	261	785	924	460	599
	DRN160M	314	854	1043	529	718
	DRN160L	314	854	1043	529	718
	DRN180M	357	877	1066	552	741

Gear	Motor	AC	L	LS	LB	LB	
K..167R107	DRN132L	261	836	975	454	593	
	DRN160M	314	905	1094	523	712	
	DRN160L	304	905	1094	523	712	
	DRN180M	357	930	1119	548	737	
	DRN180L	357	930	1119	548	737	
	DRN200L	394	1038	1243	656	861	
	DRN225S	434	993	1198	611	816	
	DRN225M	434	1083	1288	701	906	
	DRN250ME	495	1220	1460	838	1078	
	K..187R97	DRS71M	139	529	597	204	272
		DRN80M	156	583	664	258	339
		DRN90S	179	585	678	260	353
DRN90L		179	617	710	292	385	
DRN100L/LM		197	663	756	338	431	
DRN112M		221	694	806	369	481	
DRN132S		221	744	856	419	531	
DRN132M		261	760	899	435	574	
DRN132L		261	785	924	460	599	
DRN160M		314	851	1042	526	717	
DRN160L		314	851	1042	526	717	
DRN180M		357	874	1065	549	740	
K..187R107	DRN112M	221	745	857	363	475	
	DRN132M	261	811	950	429	568	
	DRN132L	261	836	975	454	593	
	DRN160M	314	905	1094	523	712	
	DRN160L	314	905	1094	523	712	
	DRN180M	357	930	1119	548	737	
	DRN180L	357	930	1119	548	737	
	DRN200L	394	1038	1243	656	861	
	DRN225S	434	993	1198	611	816	
	DRN225M	434	1083	1288	701	906	
	DRN250ME	495	1149	1389	767	1007	

10

10.7 Output shaft sizes

10.7.1 Solid Shaft – Inch

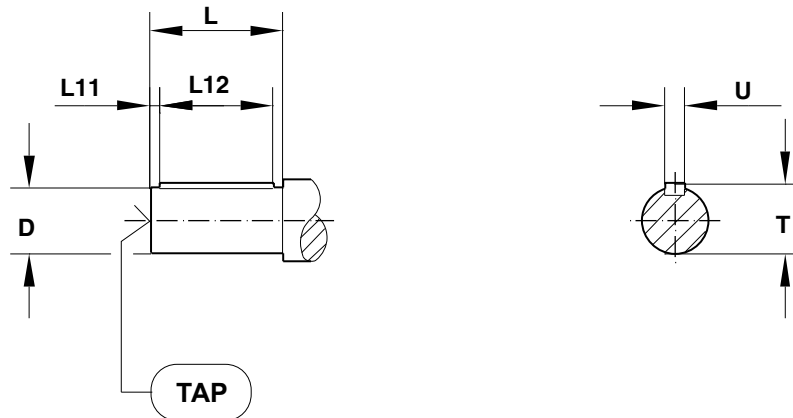


Model	All dimensions in inches							Change ²
	D	T	U	L ¹	L11	L12	TAP	
K..19	0.75	0.83	3/16	1.57	0.25	1-1/16	1/4 - 20 x 0.63	0
K..29	1.00	1.11	1/4	1.97	0.32	1-5/16	3/8 - 16 x 0.87	0
K..37	1.00	1.11	1/4	1.97	0.32	1-5/16	3/8 - 16 x 0.87	0
K..39	1.00	1.11	1/4	1.97	0.32	1-5/16	3/8 - 16 x 0.87	-0.39
	1.25	1.36	1/4	2.36	0.26	1-11/16	1/2 - 13 x 1.12	0
K..47	1.25	1.36	1/4	2.36	0.26	1-11/16	1/2 - 13 x 1.12	0
K..49	1.375	1.51	5/16	2.76	0.43	1-13/16	1/2 - 13 x 1.12	0
K..57 ..	1.375	1.51	5/16	2.76	0.43	1-13/16	1/2 - 13 x 1.12	0
K..67	1.375	1.51	5/16	2.76	0.47	1-13/16	1/2 - 13 x 1.12	-0.39
	1.625	1.79	3/8	3.15	0.38	2-3/8	5/8 - 11 x 1.38	0
K..77	1.75	1.92	3/8	3.54	0.4	2-3/4	5/8 - 11 x 1.38	-0.40
	2	2.22	1/2	3.94	0.64	2-5/8	3/4 - 10 x 1.61	0
K..87	2.375	2.65	5/8	4.72	0.51	3-5/8	3/4 - 10 x 1.61	0
K..97	2.875	3.2	3/4	5.51	0.67	4-1/8	3/4 - 10 x 1.61	0
K..107	3.625	4.01	7/8	6.69	0.63	5-3/8	1 - 8 x 2.13	0
K..127	4.375	4.82	1	8.27	1.09	6	1 - 8 x 2.13	0
K..157	4.75	5.29	1-1/4	8.27	0.82	6-9/16	1 - 8 x 2.13	0
K167	6.25	6.65	1-1/2	9.84	0.59	7-1/8	1-1/8 - 7 x 2.13	0
K187	7.5	8.27	1-3/4	12.6	0.39	10	1-1/8 - 7 x 2.13	0

¹Longer shafts to match obsolete gear unit designs are available for flanged units.

²The change in length, L, when compared to the standard shaft that is shown in dimension pages.

10.7.2 Solid Shaft – Metric



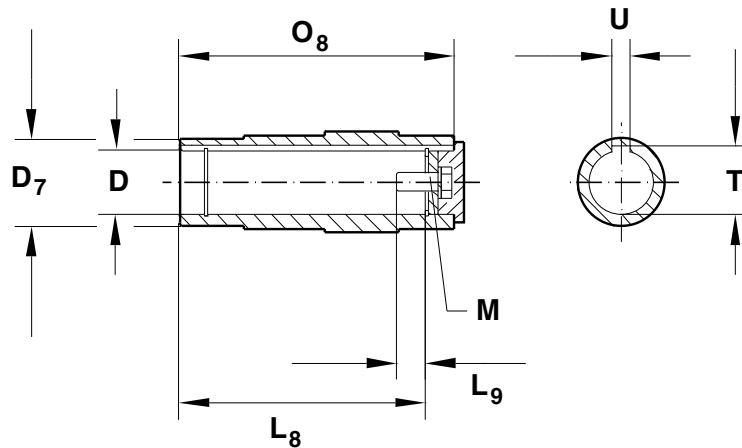
10

Model	All dimensions in mm						
	D	T	U	L ¹	L11	L12	TAP
K..19	20	22.5	6	40	4	32	M6 x 16
K..29	25	28	8	50	5	40	M10 x 22
K..37	25	28	8	50	5	40	M10 x 22
K..39	30	33	8	60	3.5	50	M10 x 22
K..47	30	33	8	60	3.5	50	M10 x 22
K..49	35	38	10	70	7	56	M12 x 28
K..57	35	38	10	70	7	56	M12 x 28
K..67	35	38	10	70	7	56	M12 x 28
	40	43	12	80	5	70	M16 x 36
K..77	45	48.5	14	90	5	80	M16 x 36
	50	53.5	14	100	10	80	M16 x 36
K..87	60	64	18	120	5	110	M20 x 42
K..97	70	74.5	20	140	7.5	125	M20 x 42
K..107	90	95	25	170	5	160	M24 x 50
K..127	110	116	28	210	15	180	M24 x 50
K..157	120	127	32	210	5	200	M24 x 50
K167	160	169	40	250	15	220	M30 x 63
K187	190	200	45	320	10	300	M30 x 63

21933480/EN-US – 04/2018

¹Longer shafts to match obsolete gear unit designs are available for flanged units.

10.7.3 Hollow Shaft – Inch

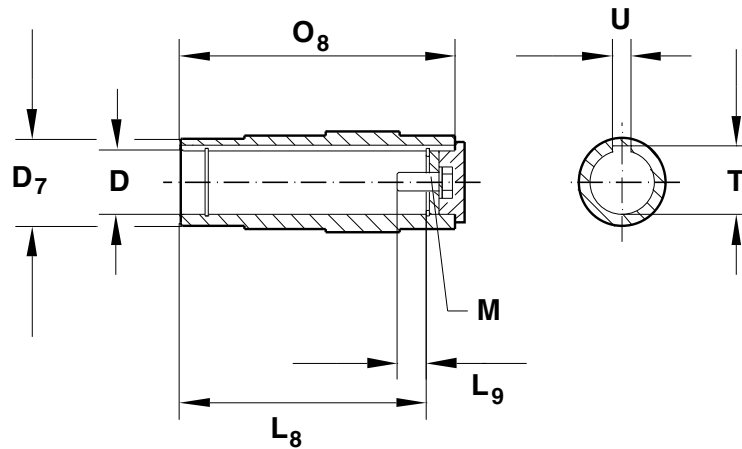


Note:

To aid in the future removal of your machine's solid shaft from a hollow shaft gear unit, please see SEW-EURODRIVE design recommendations on page 121.

Model	All dimensions in inch							
	D	D7	O8	T	U	L8	L9	M
KA..19	0.75	1.18	4.25	0.85	3/16	3.62	0.39	1/4 - 20 x 5/8
KA..29	1.00	1.57	4.80	1.12	1/4	4.21	0.69	3/8 - 16 x 1
KA..37	1.25	1.77	4.72	1.37	1/4	4.13	0.67	7/16 - 14 x 1
KA..39	1.25	1.97	6.10	1.37	1/4	5.39	0.67	7/16 - 14 x 1
	1.375	1.97	6.10	1.52	5/16	5.39	0.65	1/2 - 13 x 1
KA..47	1.1875	1.97	5.91	1.30	1/4	5.2	0.67	3/8 - 16 x 1
	1.25	1.97	5.91	1.37	1/4	5.2	0.67	7/16 - 14 x 1
	1.375	1.97	5.91	1.52	5/16	5.2	0.65	1/2 - 13 x 1
	1.4375	1.97	5.91	1.61	3/8	5.2	0.65	5/8 - 11 x 1-3/4
KA..49	1.375	2.17	7.01	1.52	5/16	6.3	0.65	1/2 - 13 x 1
	1.50	2.17	7.01	1.67	3/8	6.3	1.36	5/8 - 11 x 1-3/4
KA..57	1.4375	2.17	6.54	1.61	3/8	5.59	1.36	5/8 - 11 x 1-3/4
	1.50	2.17	6.54	1.67	3/8	5.59	1.36	5/8 - 11 x 1-3/4
KA..67	1.4375	2.17	7.09	1.61	3/8	6.14	1.36	5/8 - 11 x 1-3/4
	1.50	2.17	7.09	1.67	3/8	6.14	1.36	5/8 - 11 x 1-3/4
KA..77	1.9375	2.76	8.27	2.16	1/2	7.2	1.16	5/8 - 11 x 1-3/4
	2.00	2.76	8.27	2.22	1/2	7.2	1.16	5/8 - 11 x 1-3/4
KA..87	2.375	3.35	9.45	2.65	5/8	8.27	1.39	3/4 - 10 x 2
	2.4375	3.35	9.45	2.62	5/8	8.27	1.39	3/4 - 10 x 2
KA..97	2.75	3.74	11.81	3.03	5/8	10.63	1.24	3/4 - 10 x 2
	2.9375	3.74	11.81	3.14	3/4	10.63	1.24	3/4 - 10 x 2
KA..107	3.25	4.65	13.78	3.59	3/4	12.32	1.24	3/4 - 10 x 2
	3.4375	4.65	13.78	3.7	7/8	12.32	1.24	3/4 - 10 x 2
	3.625	4.65	13.78	3.89	7/8	12.32	1.24	3/4 - 10 x 2
KA..127	4.00	5.31	16.14	4.44	1	14.69	1.26	1 - 8 x 2-1/4
KA..157	4.50	6.1	19.69	4.95	1	18.11	1.26	1 - 8 x 2-1/4

10.7.4 Hollow Shaft – Metric



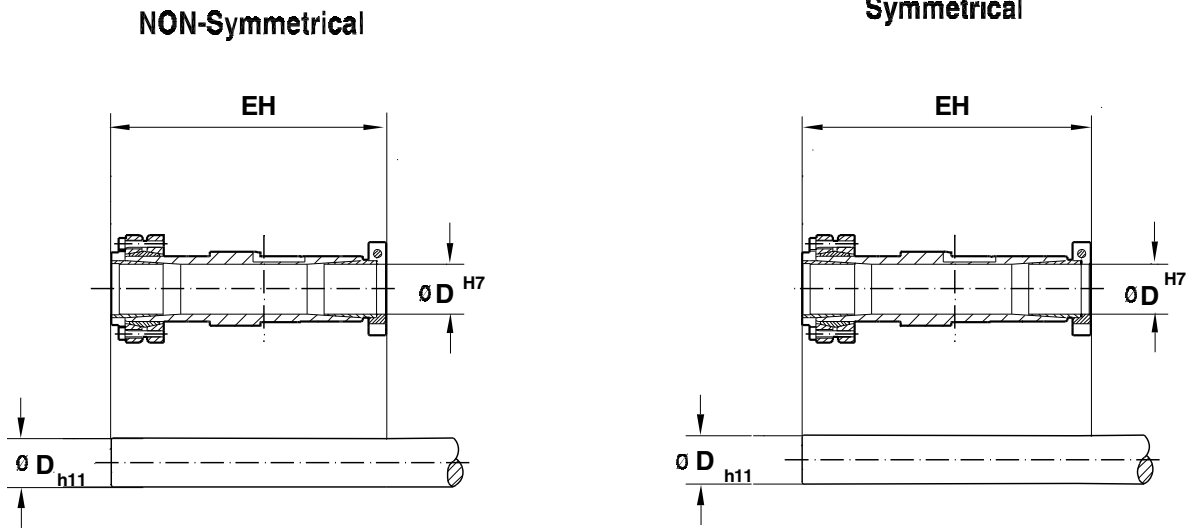
Note:

To aid in the future removal of your machine's solid shaft from a hollow shaft gear unit, please see SEW-EURODRIVE design recommendations on page 121.

Model	All dimensions in mm							
	D	D7	O8	T	U	L8	L9	M
KA..19	20	30	108	22.8	6	92	8	M6 x 16
KA..29	25	40	122	27	8	107	17	M10 x 25
KA..37	30	45	120	33.3	8	105	17	M10 x 25
KA..39	30	50	155	33.3	8	137	17	M10 x 25
	35	50	155	38.3	10	137	17	M12 x 30
KA..47	30	50	150	33.3	8	132	16	M10 x 25
	35	50	150	38.3	10	132	22	M12 x 30
KA..49	35	55	178	38.3	10	160	22	M12 x 30
	40	55	178	43.3	12	160	22	M12 x 30
KA..57	40	55	166	43.3	12	142	29	M16 x 40
KA..67	40	55	180	43.3	12	156	29	M16 x 40
KA..77	50	70	210	53.8	14	183	32	M16 x 45
KA..87	60	85	240	64.4	18	210	36	M20 x 50
KA..97	70	95	300	74.9	20	270	34	M20 x 50
KA..107	80	118	350	85.4	22	313	30	M20 x 50
	90	118	350	95.4	25	313	40	M24 x 60
KA..127	100	135	410	106.4	28	373	38	M24 x 60
KA..157	120	155	500	127.4	32	460	36	M24 x 60

21933480/EN-US – 04/2018

10.7.5 TorqLOC® keyless hollow shaft



Model	D (in)					D (mm)						EH (in)	
	Inch Bores					Metric Bores						NON Symmetrical	Symmetrical
KT37	1.00	1.1875	1.25	-	-	25	30	-	-	-	-	6.69	7.63
KT39	1.1875	1.25	1.375	1.4375	-	30	35	-	-	-	-	8.23	-
KT47	1.1875	1.25	1.375	1.4375	-	30	35	-	-	-	-	8.15	9.13
KT49	1.375	1.4375	1.50	1.625	1.6875	35	40	-	-	-	-	9.57	-
KT57	1.375	1.4375	1.50	1.625	-	35	38	40	-	-	-	9.13	10.39
KT67	1.375	1.4375	1.50	1.625	1.6875	35	38	40	-	-	-	9.65	10.91
KT77	1.625	1.6875	1.75	1.9375	2.00	40	45	50	-	-	-	11.61	13.34
KT87	1.9375	2.00	2.375	2.4375	-	50	51	55	60	62	65	13.19	15.28
KT97	2.4375	2.75	2.9375	-	-	60	62	65	70	75	-	15.59	17.79
KT107	3.250	3.4375	3.625	3.750	-	80	85	90	95	-	-	17.76	20.08
KT127	3.4375	3.750	4.00	4.1875	-	90	95	100	105	-	-	20.94	23.89
KT157	4.4375	4.50	4.9375	5.00	-	110	120	125	-	-	-	25.24	28.39