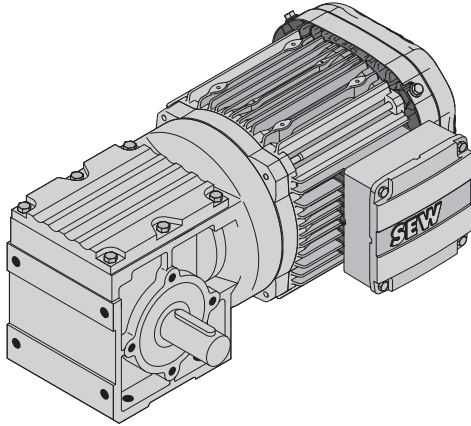
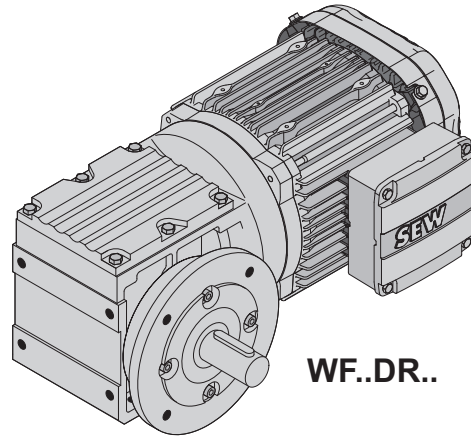


## 12 SPIROPLAN® gearmotors

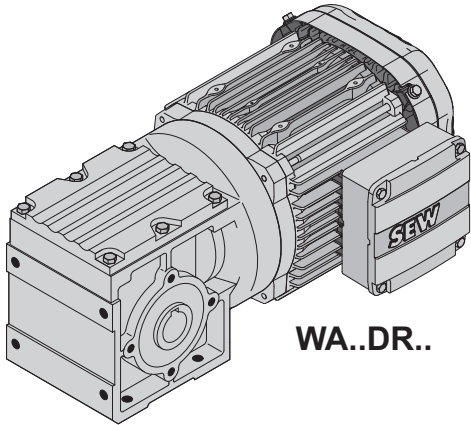
### 12.1 W.. DRS/DRN.. Designs



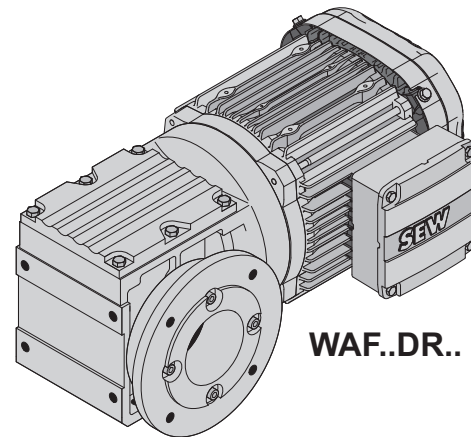
**W..DR..**



**WF..DR..**



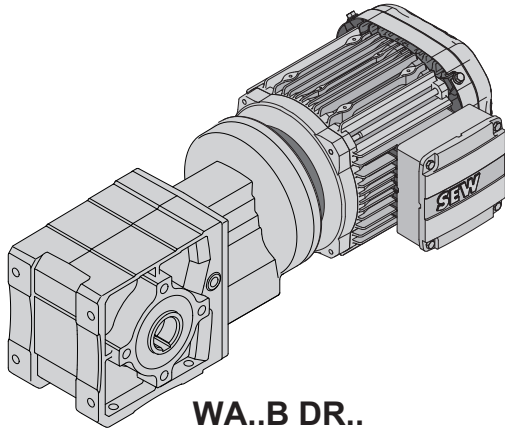
**WA..DR..**



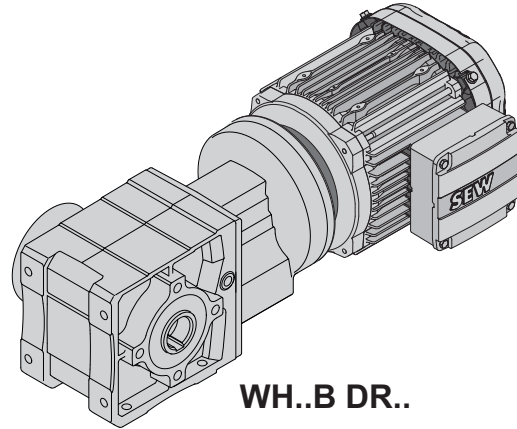
**WAF..DR..**

8665099019

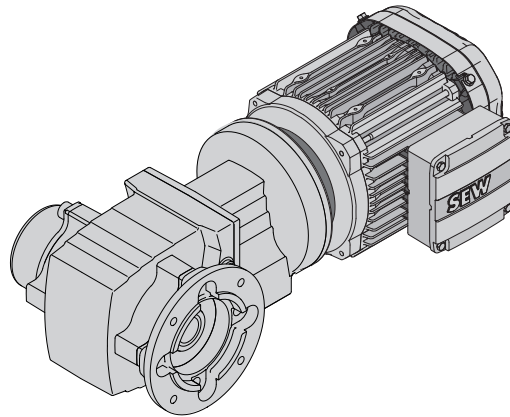
21933480/EN-US – 04/2018



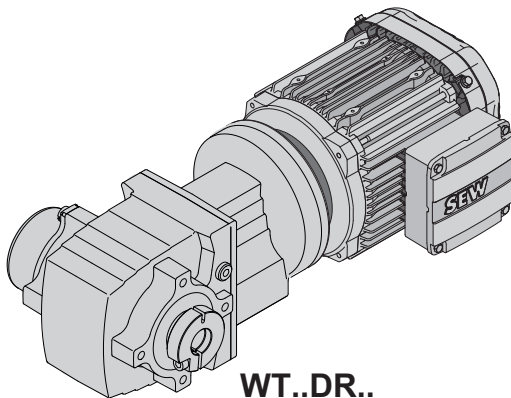
WA..B DR..



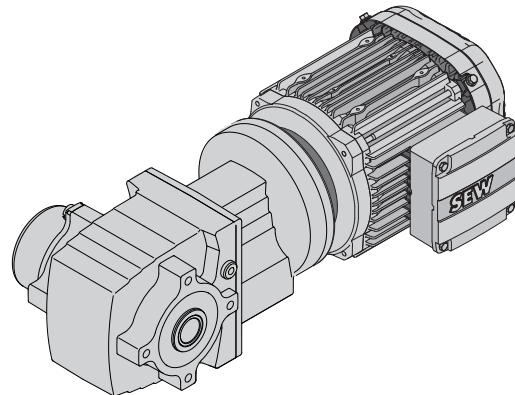
WH..B DR..



WHF..DR..




WT..DR..





WH..DR..

8665100939


## 12.2 W.. DRS/DRN.. Possible combinations



W10, $n_e=1700$ rpm					220 lb-in
$n_a$ rpm	$T_{aMax}$ lb-in	$F_{Ra}$ lb	$\Phi_{(R)}$ '	i	DT56M DT56L
 1					
23	220	405	-	75.00*	
28	220	405	-	60.00*	
35	220	405	-	48.00*	
44	220	405	-	39.00*	
52	220	405	-	32.50*	
62	210	405	-	27.50*	
69	220	405	-	24.50*	
87	220	405	-	19.50*	
103	177	405	-	16.50*	
119	195	405	-	14.33	
166	115	405	-	10.25*	
207	106	390	-	8.20*	
259	106	365	-	6.57	

W20, $n_e=1700$ rpm					350 lb-in
$n_a$ rpm	$T_{aMax}$ lb-in	$F_{Ra}$ lb	$\Phi_{(R)}$ '	i	DR63S DRS71S DRS71M
 1					
23	350	495	-	75.00*	
28	350	495	-	60.00*	
35	350	495	-	48.00*	
44	350	495	-	39.00*	
52	350	495	-	32.50*	
62	350	495	-	27.50*	
69	350	495	-	24.50*	
87	305	475	-	19.50*	
103	265	455	-	16.50*	
119	265	440	-	14.33	
166	220	400	-	10.25*	
207	177	380	-	8.20*	
259	177	360	-	6.57	



W30, $n_e=1700$ rpm					615 lb-in	
$n_a$ rpm	$T_{aMax}$ lb-in	$F_{Ra}$ lb	$\Phi_{(R)}$ '	i	DR63S DRS71S DRS71M	DRN80M
 1						
23	615	675	-	75.00*		
28	615	675	-	60.00*		
35	615	675	-	48.00*		
44	615	675	-	39.00*		
52	615	675	-	32.50*		
62	615	675	-	27.50*		
69	615	675	-	24.50*		
87	615	675	-	19.50*		
104	530	675	-	16.33		
119	530	675	-	14.33		


<b>W30, n<sub>e</sub>=1700 rpm</b>					<b>615 lb-in</b>	
n <sub>a</sub> rpm	T <sub>aMax</sub> lb-in	F <sub>Ra</sub> lb	Φ <sub>(/R)</sub> '	i	DR63S DRS71S DRS71M	DRN80M
166	440	620	-	10.25*		
207	350	585	-	8.20*		
259	350	545	-	6.57		

<b>W37, n<sub>e</sub>=1700 rpm</b>					<b>970 lb-in</b>			
n <sub>a</sub> rpm	T <sub>aMax</sub> lb-in	F <sub>Ra</sub> lb	Φ <sub>(/R)</sub> '	i	DR63S DRS71S DRS71M	DRN80M DRN90S	DRN90L	DRN100LM
					 2			
25	970	745	-	69.05				
27	970	745	-	63.33				
32	970	745	-	53.92				
37	970	745	-	46.49				
45	970	745	-	37.88				
49	795	810	-	34.52				
54	795	810	-	31.67				
54	970	745	-	31.33				
61	970	745	-	27.78				
63	795	810	-	26.96				
73	795	810	-	23.25				
80	970	695	-	21.33				
90	795	770	-	18.94				
108	795	705	-	15.67				
122	795	670	-	13.89				
134	615	795	-	12.70				
146	615	770	-	11.65				
159	795	590	-	10.67				
171	615	720	-	9.92				
199	615	680	-	8.55				
244	615	630	-	6.97				
295	615	585	-	5.77				
333	615	560	-	5.11				
433	615	500	-	3.93				
531	615	460	-	3.20*				

<b>W37R17, n<sub>e</sub>=1700 rpm</b>					<b>970 lb-in</b>	
n <sub>a</sub> rpm	T <sub>aMax</sub> lb-in	F <sub>Ra</sub> lb	Φ <sub>(/R)</sub> '	i	DR63S DRS71S DRS71M	
					 2  3	
0.39	970	745	-	4402		
0.45	970	745	-	3795		
0.52	970	745	-	3272		
0.59	970	745	-	2899		
0.66	970	745	-	2558		
0.71	970	745	-	2382		
0.78	970	745	-	2172		
0.87	970	745	-	1952		
0.95	970	745	-	1795		
1.1	970	745	-	1593		
1.2	970	745	-	1463		

21933480/EN-US - 04/2018

W37R17, n <sub>e</sub> =1700 rpm					970 lb-in
n <sub>a</sub> rpm	T <sub>aMax</sub> lb-in	F <sub>Ra</sub> lb	Φ <sub>(/R)</sub> '	i	DR63S DRS71S DRS71M
1.3	970	745	-	1298	
2.3	970	745	-	754	
2.5	970	745	-	669	
 2  2					
1.4	970	745	-	1173	
1.6	970	745	-	1063	
1.8	970	745	-	956	
2.0	970	745	-	854	
2.8	970	745	-	600	
3.2	970	745	-	532	
3.6	970	745	-	472	
3.9	970	745	-	434	
4.4	970	745	-	384	
4.7	970	745	-	359	
5.2	970	745	-	327	
5.9	970	745	-	286	
6.4	970	745	-	267	
7.3	970	745	-	233	
8.2	970	745	-	207	
9.2	970	745	-	184	
11	970	745	-	160	
12	970	745	-	141	
14	970	745	-	125	
16	970	745	-	109	
18	970	745	-	96	
21	970	745	-	82	
23	795	810	-	73	
27	795	810	-	63	
32	795	810	-	53	
35	795	810	-	48	

W47, n <sub>e</sub> =1700 rpm					1590 lb-in				
n <sub>a</sub> rpm	T <sub>aMax</sub> lb-in	F <sub>Ra</sub> lb	Φ <sub>(/R)</sub> '	i	DR63S DRS71S DRS71M	DRN80M DRN90S	DRN90L	DRN100LM DRN100L	DRN112M
 2									
23	1590	1440	-	74.98					
25	1590	1440	-	68.93					
29	1590	1370	-	58.98					
33	1590	1280	-	51.12					
36	1590	1240	-	47.78					
41	1590	1160	-	41.30					
48	1590	1070	-	35.09					
54	1410	1150	-	31.62					
54	1590	1010	-	31.33					
62	1410	1080	-	27.41					
64	1590	930	-	26.76					
66	1410	1040	-	25.62					
68	1590	900	-	25.07					
77	1410	980	-	22.15					
90	1410	900	-	18.82					

21933480/EN-US - 04/2018

W47, n <sub>e</sub> =1700 rpm					1590 lb-in				
n <sub>a</sub> rpm	T <sub>aMax</sub> lb-in	F <sub>Ra</sub> lb	φ <sub>(/R)</sub> '	i	DR63S DRS71S DRS71M	DRN80M DRN90S	DRN90L	DRN100LM DRN100L	DRN112M
101	1410	860	-	16.80					
118	1410	795	-	14.35					
126	1410	770	-	13.44					
138	970	950	-	12.30					
150	1410	705	-	11.32					
159	970	900	-	10.66					
171	970	870	-	9.96					
197	970	820	-	8.61					
232	970	770	-	7.32					
260	970	735	-	6.53					
305	970	690	-	5.58					
325	970	670	-	5.23					
386	970	625	-	4.40					
437	970	595	-	3.89					
520	970	550	-	3.27					



12

W47R17, n <sub>e</sub> =1700 rpm					1590 lb-in				
n <sub>a</sub> rpm	T <sub>aMax</sub> lb-in	F <sub>Ra</sub> lb	φ <sub>(/R)</sub> '	i	DR63S DRS71S DRS71M	DRN80M			
					2 3				
0.35	1590	1440	-	4815					
0.41	1590	1440	-	4173					
0.44	1590	1440	-	3870					
0.47	1590	1440	-	3598					
0.51	1590	1440	-	3354					
0.54	1590	1440	-	3171					
0.62	1590	1440	-	2748					
0.70	1590	1440	-	2425					
0.75	1590	1440	-	2258					
0.81	1590	1440	-	2111					
0.87	1590	1440	-	1959					
0.95	1590	1440	-	1797					
1.1	1590	1440	-	1595					
1.1	1590	1440	-	1486					
1.2	1590	1440	-	1448					
1.5	1590	1440	-	1170					
2.3	1590	1440	-	754					
					2 2				
1.3	1590	1440	-	1290					
1.4	1590	1440	-	1183					
1.6	1590	1440	-	1042					
1.8	1590	1440	-	956					
2.0	1590	1440	-	869					
2.6	1590	1440	-	661					
2.9	1590	1440	-	596					
3.2	1590	1440	-	536					
3.6	1590	1440	-	473					
3.9	1590	1440	-	434					
4.4	1590	1440	-	386					
4.7	1590	1440	-	359					

21933480/EN-US - 04/2018

W47R17, n <sub>e</sub> =1700 rpm					1590 lb-in	
n <sub>a</sub> rpm	T <sub>aMax</sub> lb-in	F <sub>Ra</sub> lb	Φ <sub>(/R)</sub> '	i	DR63S DRS71S DRS71M	DRN80M
5.3	1590	1440	-	318		
5.8	1590	1440	-	291		
6.3	1590	1440	-	270		
6.4	1590	1440	-	265		
7.2	1590	1440	-	237		
8.1	1590	1440	-	210		
9.3	1590	1440	-	183		
11	1590	1440	-	159		
12	1590	1440	-	141		
14	1410	1500	-	124		
14	1590	1440	-	120		
16	1410	1500	-	105		
18	1410	1500	-	95		
20	1410	1500	-	85		
22	1410	1500	-	77		
24	1410	1500	-	72		

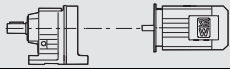

12.3 W.. DRS/DRN.. Selections by HP

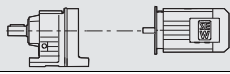

<b>P<sub>m</sub> = 0.16 HP</b>											
<b>n<sub>a</sub></b> rpm	<b>T<sub>a</sub></b> lb-in	<b>i</b> ratio	<b>F<sub>Ra</sub><sup>1)</sup></b> lb	<b>SEW SF</b> <b>f<sub>B</sub></b>	<b>HazLoc</b> <b>-NA®</b>					<b>m</b> lbs	
5.1	920	327	765	1.05							
5.9	800	286	810	1.20							
6.3	770	267	820	1.25							
7.2	675	233	850	1.45							
8.1	570	207	870	1.70							
9.1	515	184	880	1.85							
10	490	160	890	2.0		W	37R17	DR	63S4	29	871/882
12	430	141	900	2.2		WF	37R17	DR	63S4	29	872/882
13	385	125	900	2.5		WA	37R17	DR	63S4	29	874/882
15	345	109	910	2.8		WAF	37R17	DR	63S4	29	872/882
17	305	96	910	3.2							
21	260	82	920	3.7							
23	270	73	920	3.0							
27	240	63	920	3.3							
32	200	53	920	3.9							
35	190	48	920	4.2							
24	285	69.05	920	3.4							
27	265	63.33	920	3.7		W	37	DR	63S4	22	871
31	230	53.92	920	4.2		WF	37	DR	63S4	22	872
36	200	46.49	920	4.8		WA	37	DR	63S4	22	874
44	168	37.88	930	5.8		WAF	37	DR	63S4	22	872
49	173	34.52	930	4.6							
53	160	31.67	930	5.0							
15	295	75.00*	675	2.1		W	30	DR	63M6	20	867
18	275	60.00*	675	2.2		WF	30	DR	63M6	21	868
34	185	32.50*	675	3.4		WA	30	DR	63M6	19	870
40	173	27.50*	675	3.6		WAF	30	DR	63M6	20	869
22	205	75.00*	675	3.0							
28	191	60.00*	675	3.2		W	30	DR	63S4	20	867
35	166	48.00*	675	3.7		WF	30	DR	63S4	21	868
43	150	39.00*	675	4.1		WA	30	DR	63S4	19	870
52	126	32.50*	675	4.9		WAF	30	DR	63S4	20	869
15	265	75.00*	495	1.30		W	20	DR	63M6	15	864
18	235	60.00*	495	1.50		WF	20	DR	63M6	15	865
34	196	32.50*	495	1.80		WA	20	DR	63M6	14	866
40	165	27.50*	495	2.1		WAF	20	DR	63M6	14	865
22	187	75.00*	495	1.90							
28	164	60.00*	495	2.2							
35	150	48.00*	495	2.4							
43	137	39.00*	495	2.6							
52	133	32.50*	495	2.7							
61	112	27.50*	495	3.1		W	20	DR	63S4	15	864
69	101	24.50*	495	3.5		WF	20	DR	63S4	15	865
86	87	19.50*	495	3.6		WA	20	DR	63S4	14	866
102	76	16.50*	495	3.5		WAF	20	DR	63S4	14	865
117	70	14.33	495	3.8							
164	52	10.25*	455	4.2							
205	43	8.20*	425	4.1							
256	36	6.57	400	4.9							

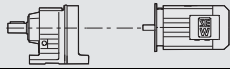

12

21933480/EN-US - 04/2018

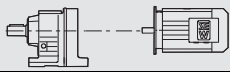



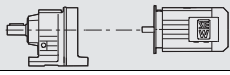

<b>P<sub>m</sub> = 0.25 HP</b>											
<b>n<sub>a</sub></b> rpm	<b>T<sub>a</sub></b> lb-in	<b>i</b> ratio	<b>F<sub>Ra</sub><sup>1)</sup></b> lb	<b>SEW SF</b> f <sub>B</sub>	<b>HazLoc</b> -NA®					<b>m</b> lbs	
5.3	1600	318	1440	1.00							
6.3	1350	270	1480	1.15	X						
7.2	1270	237	1490	1.25	X						
8.1	1110	210	1510	1.45	X						
9.3	950	183	1540	1.65	X						
11	860	159	1550	1.85	X	W	47R17	(E)DRS	71S4	46	877/882
12	770	141	1560	2.1	X	WF	47R17	(E)DRS	71S4	47	878/882
14	795	124	1580	1.80	X	WA	47R17	(E)DRS	71S4	43	879/882
14	655	120	1580	2.4	X	WAF	47R17	(E)DRS	71S4	45	878/882
16	670	105	1590	2.1	X						
18	635	95	1600	2.2	X						
20	555	85	1600	2.5	X						
22	515	77	1610	2.7	X						
24	465	72	1610	3.0	X						
8.2	950	207	755	1.00	X						
9.2	860	184	790	1.10	X						
11	800	160	810	1.20	X						
12	710	141	840	1.35	X						
14	635	125	860	1.55	X	W	37R17	(E)DRS	71S4	34	871/882
16	570	109	870	1.70	X	WF	37R17	(E)DRS	71S4	34	872/882
18	505	96	880	1.90	X	WA	37R17	(E)DRS	71S4	34	874/882
21	435	82	900	2.2	X	WAF	37R17	(E)DRS	71S4	34	872/882
23	450	73	890	1.75	X						
27	400	63	900	2.0	X						
32	335	53	910	2.4	X						
35	310	48	910	2.5	X						
23	510	74.98	1600	3.1	X						
25	470	68.93	1600	3.4	X	W	47	(E)DRS	71S4	40	877
29	410	58.98	1610	3.9	X	WF	47	(E)DRS	71S4	41	878
33	360	51.12	1620	4.4	X	WA	47	(E)DRS	71S4	37	879
36	340	47.78	1620	4.7	X	WAF	47	(E)DRS	71S4	38	878
41	295	41.30	1570	5.3	X						
54	250	31.62	1460	5.6	X						
25	440	69.05	900	2.2	X						
27	410	63.33	900	2.4	X						
32	355	53.92	910	2.7	X						
37	310	46.49	910	3.1	X						
45	260	37.88	920	3.7	X	W	37	(E)DRS	71S4	28	871
49	265	34.52	920	3.0	X	WF	37	(E)DRS	71S4	28	872
54	245	31.67	920	3.2	X	WA	37	(E)DRS	71S4	28	874
61	197	27.78	920	4.9	X	WAF	37	(E)DRS	71S4	28	872
63	210	26.96	920	3.8	X						
73	185	23.25	930	4.3	X						
80	155	21.33	930	6.3	X						
90	152	18.94	930	5.2	X						
23	320	75.00*	675	1.95	X						
28	295	60.00*	675	2.1	X						
35	255	48.00*	675	2.4	X						
44	230	39.00*	675	2.7	X						
52	196	32.50*	675	3.2	X						
62	181	27.50*	675	3.4	X	W	30	(E)DRS	71S4	25	867
69	168	24.50*	675	3.7	X	WF	30	(E)DRS	71S4	26	868
87	142	19.50*	675	4.4	X	WA	30	(E)DRS	71S4	25	870
104	122	16.33	675	4.3	X	WAF	30	(E)DRS	71S4	26	869
119	111	14.33	675	4.8	X						
166	83	10.25*	675	5.3	X						
207	68	8.20*	660	5.2	X						
259	57	6.57	615	6.2	X						
14	480	75.00*	675	1.30		W	30	DR	63L6	21	867
18	440	60.00*	675	1.40		WF	30	DR	63L6	22	868
33	295	32.50*	675	2.1		WA	30	DR	63L6	21	870
39	275	27.50*	675	2.2		WAF	30	DR	63L6	22	869

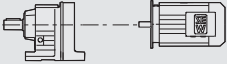

<b>P<sub>m</sub> = 0.25 HP</b>							<b>m lbs</b>	
<b>n<sub>a</sub> rpm</b>	<b>T<sub>a</sub> lb-in</b>	<b>i ratio</b>	<b>F<sub>Ra</sub><sup>1)</sup> lb</b>	<b>SEW SF f<sub>B</sub></b>	<b>HazLoc -NA®</b>			
23	290	75.00*	495	1.20	X			
28	250	60.00*	495	1.40	X			
35	230	48.00*	495	1.50	X			
44	210	39.00*	495	1.65	X			
52	205	32.50*	495	1.70	X			
62	174	27.50*	495	2.0	X	W 20	(E)DRS 71S4	20 864
69	157	24.50*	495	2.2	X	WF 20	(E)DRS 71S4	20 865
87	134	19.50*	495	2.3	X	WA 20	(E)DRS 71S4	19 866
103	117	16.50*	495	2.3	X	WAF 20	(E)DRS 71S4	19 865
119	108	14.33	490	2.5	X			
166	81	10.25*	445	2.7	X			
207	66	8.20*	415	2.7	X			
259	56	6.57	395	3.2	X			

<b>P<sub>m</sub> = 0.33 HP</b>							<b>m lbs</b>	
<b>n<sub>a</sub> rpm</b>	<b>T<sub>a</sub> lb-in</b>	<b>i ratio</b>	<b>F<sub>Ra</sub><sup>1)</sup> lb</b>	<b>SEW SF f<sub>B</sub></b>	<b>HazLoc -NA®</b>			
9.3	1300	183	1480	1.20	X			
11	1170	159	1500	1.35	X			
12	1040	141	1520	1.50	X			
14	1080	124	1540	1.30	X	W 47R17	(E)DRS 71S4	46 877/882
14	890	120	1550	1.75	X	WF 47R17	(E)DRS 71S4	47 878/882
16	910	105	1560	1.55	X	WA 47R17	(E)DRS 71S4	43 879/882
18	850	95	1570	1.65	X	WAF 47R17	(E)DRS 71S4	45 878/882
20	750	85	1580	1.90	X			
22	700	77	1590	2.0	X			
24	635	72	1600	2.2	X			
14	860	125	790	1.10	X			
16	770	109	820	1.25	X			
18	690	96	840	1.40	X	W 37R17	(E)DRS 71S4	34 871/882
21	590	82	870	1.65	X	WF 37R17	(E)DRS 71S4	34 872/882
23	610	73	860	1.30	X	WA 37R17	(E)DRS 71S4	34 874/882
27	540	63	880	1.45	X	WAF 37R17	(E)DRS 71S4	34 872/882
32	460	53	890	1.70	X			
35	425	48	900	1.85	X			
15	990	74.98	1530	1.60		W 47	DRS 71S6	40 877
16	920	68.93	1540	1.75		WF 47	DRS 71S6	41 878
						WA 47	DRS 71S6	37 879
						WAF 47	DRS 71S6	38 878
23	670	74.98	1580	2.4	X	W 47	(E)DRS 71S4	40 877
25	625	68.93	1580	2.5	X	WF 47	(E)DRS 71S4	41 878
29	540	58.98	1600	2.9	X	WA 47	(E)DRS 71S4	37 879
33	475	51.12	1600	3.3	X	WAF 47	(E)DRS 71S4	38 878
36	445	47.78	1610	3.5	X			
25	580	69.05	870	1.65	X			
27	540	63.33	880	1.80	X			
32	470	53.92	890	2.1	X			
37	410	46.49	900	2.4	X			
45	340	37.88	910	2.8	X			
49	350	34.52	910	2.3	X			
54	325	31.67	910	2.4	X			
61	260	27.78	920	3.7	X	W 37	(E)DRS 71S4	28 871
63	280	26.96	920	2.8	X	WF 37	(E)DRS 71S4	28 872
73	240	23.25	920	3.3	X	WA 37	(E)DRS 71S4	28 874
80	200	21.33	920	4.8	X	WAF 37	(E)DRS 71S4	28 872
90	200	18.94	920	4.0	X			
109	168	15.67	910	4.7	X			
122	150	13.89	880	5.3	X			
134	144	12.70	870	4.3	X			
146	132	11.65	850	4.7	X			
159	116	10.67	810	6.8	X			
171	113	9.92	800	5.5	X			

21933480/EN-US - 04/2018

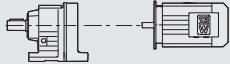

<b>P<sub>m</sub> = 0.33 HP</b>												
n <sub>a</sub> rpm	T <sub>a</sub> lb-in	i ratio	F <sub>Ra</sub> <sup>1)</sup> lb	SEW SF f <sub>B</sub>	HazLoc -NA®			m lbs				
15	615	75.00*	675	1.00		<b>W</b>	<b>30</b>	<b>DRS</b>	<b>71S6</b>	25	867	
18	570	60.00*	675	1.10			<b>WF</b>	<b>30</b>	<b>DRS</b>	<b>71S6</b>	26	868
34	380	32.50*	675	1.60			<b>WA</b>	<b>30</b>	<b>DRS</b>	<b>71S6</b>	25	870
45	330	24.50*	675	1.85			<b>WAF</b>	<b>30</b>	<b>DRS</b>	<b>71S6</b>	26	869
56	280	19.50*	675	2.2								
23	420	75.00*	675	1.45	X	<b>W</b>	<b>30</b>	<b>(E)DRS</b>	<b>71S4</b>	25	867	
28	390	60.00*	675	1.60	X		<b>WF</b>	<b>30</b>	<b>(E)DRS</b>	<b>71S4</b>	26	868
35	335	48.00*	675	1.85	X		<b>WA</b>	<b>30</b>	<b>(E)DRS</b>	<b>71S4</b>	25	870
44	305	39.00*	675	2.0	X		<b>WAF</b>	<b>30</b>	<b>(E)DRS</b>	<b>71S4</b>	26	869
52	255	32.50*	675	2.4	X							
62	235	27.50*	675	2.6	X							
69	220	24.50*	675	2.8	X							
87	188	19.50*	675	3.3	X							
104	161	16.33	675	3.3	X							
119	146	14.33	675	3.6	X							
166	110	10.25*	675	4.0	X							
207	90	8.20*	655	3.9	X							
259	75	6.57	615	4.7	X							
322	56	10.25*	360	4.0			<b>W</b>	<b>20</b>	<b>DRS</b>	<b>71S2</b>	20	864
402	46	8.20*	335	3.9			<b>WF</b>	<b>20</b>	<b>DRS</b>	<b>71S2</b>	20	865
502	38	6.57	315	4.6		<b>WA</b>	<b>20</b>	<b>DRS</b>	<b>71S2</b>	19	866	
						<b>WAF</b>	<b>20</b>	<b>DRS</b>	<b>71S2</b>	19	865	
40	340	27.50*	495	1.05		<b>W</b>	<b>20</b>	<b>DRS</b>	<b>71S6</b>	20	864	
45	305	24.50*	495	1.15			<b>WF</b>	<b>20</b>	<b>DRS</b>	<b>71S6</b>	20	865
56	265	19.50*	495	1.15			<b>WA</b>	<b>20</b>	<b>DRS</b>	<b>71S6</b>	19	866
77	210	14.33	495	1.25			<b>WAF</b>	<b>20</b>	<b>DRS</b>	<b>71S6</b>	19	865
107	161	10.25*	495	1.35								
134	133	8.20*	465	1.35								
167	112	6.57	445	1.60								
28	330	60.00*	495	1.05	X	<b>W</b>	<b>20</b>	<b>(E)DRS</b>	<b>71S4</b>	20	864	
35	305	48.00*	495	1.15	X		<b>WF</b>	<b>20</b>	<b>(E)DRS</b>	<b>71S4</b>	20	865
44	275	39.00*	495	1.25	X		<b>WA</b>	<b>20</b>	<b>(E)DRS</b>	<b>71S4</b>	19	866
52	270	32.50*	495	1.30	X		<b>WAF</b>	<b>20</b>	<b>(E)DRS</b>	<b>71S4</b>	19	865
62	225	27.50*	495	1.55	X							
69	205	24.50*	495	1.70	X							
87	177	19.50*	495	1.75	X							
103	155	16.50*	495	1.70	X							
119	142	14.33	480	1.85	X							
166	106	10.25*	435	2.1	X							
207	87	8.20*	410	2.0	X							
259	73	6.57	390	2.4	X							

<b>P<sub>m</sub> = 0.50 HP</b>												
n <sub>a</sub> rpm	T <sub>a</sub> lb-in	i ratio	F <sub>Ra</sub> <sup>1)</sup> lb	SEW SF f <sub>B</sub>	HazLoc -NA®			m lbs				
14	1400	120	1470	1.15	X	<b>W</b>	<b>47R17</b>	<b>(E)DRS</b>	<b>71S4</b>	46	877/882	
16	1430	105	1490	1.00	X		<b>WF</b>	<b>47R17</b>	<b>(E)DRS</b>	<b>71S4</b>	47	878/882
18	1320	95	1510	1.05	X		<b>WA</b>	<b>47R17</b>	<b>(E)DRS</b>	<b>71S4</b>	43	879/882
20	1170	85	1530	1.20	X		<b>WAF</b>	<b>47R17</b>	<b>(E)DRS</b>	<b>71S4</b>	45	878/882
22	1080	77	1540	1.30	X							
24	990	72	1550	1.40	X							
21	930	82	765	1.05	X		<b>W</b>	<b>37R17</b>	<b>(E)DRS</b>	<b>71S4</b>	34	871/882
32	720	53	830	1.10	X	<b>WF</b>	<b>37R17</b>	<b>(E)DRS</b>	<b>71S4</b>	34	872/882	
35	660	48	850	1.20	X	<b>WA</b>	<b>37R17</b>	<b>(E)DRS</b>	<b>71S4</b>	34	874/882	
						<b>WAF</b>	<b>37R17</b>	<b>(E)DRS</b>	<b>71S4</b>	34	872/882	
15	1500	74.98	1450	1.05		<b>W</b>	<b>47</b>	<b>DRS</b>	<b>71M6</b>	43	877	
16	1390	68.93	1470	1.15			<b>WF</b>	<b>47</b>	<b>DRS</b>	<b>71M6</b>	44	878
19	1210	58.98	1500	1.30			<b>WA</b>	<b>47</b>	<b>DRS</b>	<b>71M6</b>	39	879
22	1060	51.12	1520	1.50			<b>WAF</b>	<b>47</b>	<b>DRS</b>	<b>71M6</b>	41	878
23	1000	47.78	1530	1.60								

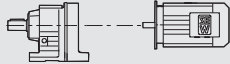

<b>P<sub>m</sub> = 0.50 HP</b>							<b>m lbs</b>	
<b>n<sub>a</sub> rpm</b>	<b>T<sub>a</sub> lb-in</b>	<b>i ratio</b>	<b>F<sub>Ra</sub><sup>1)</sup> lb</b>	<b>SEW SF f<sub>B</sub></b>	<b>HazLoc -NA®</b>			
23	1020	74.98	1530	1.55	X			
25	940	68.93	1540	1.70	X			
29	820	58.98	1560	1.95	X			
33	720	51.12	1560	2.2	X			
36	680	47.78	1530	2.3	X			
41	595	41.30	1480	2.7	X			
48	515	35.09	1420	3.1	X			
54	500	31.62	1390	2.8	X			
54	460	31.33	1370	3.4	X	W 47	(E)DRS 71S4	40 877
62	435	27.41	1340	3.2	X	WF 47	(E)DRS 71S4	41 878
64	400	26.76	1310	4.0	X	WA 47	(E)DRS 71S4	37 879
66	410	25.62	1310	3.4	X	WAF 47	(E)DRS 71S4	38 878
68	375	25.07	1290	4.2	X			
77	355	22.15	1260	3.9	X			
90	305	18.82	1200	4.6	X			
101	275	16.80	1160	5.1	X			
118	235	14.35	1110	6.0	X			
138	215	12.30	1080	4.5	X			
159	188	10.66	1030	5.2	X			
171	176	9.96	1010	5.5	X			
27	820	63.33	800	1.20	X			
32	710	53.92	840	1.35	X			
37	625	46.49	860	1.55	X			
45	520	37.88	880	1.85	X			
49	530	34.52	880	1.50	X			
54	490	31.67	890	1.60	X			
61	390	27.78	900	2.5	X			
63	420	26.96	900	1.90	X	W 37	(E)DRS 71S4	28 871
73	365	23.25	910	2.2	X	WF 37	(E)DRS 71S4	28 872
80	310	21.33	910	3.1	X	WA 37	(E)DRS 71S4	28 874
90	300	18.94	910	2.6	X	WAF 37	(E)DRS 71S4	28 872
109	250	15.67	880	3.1	X			
122	225	13.89	850	3.5	X			
134	215	12.70	850	2.8	X			
146	200	11.65	830	3.1	X			
159	176	10.67	790	4.5	X			
171	171	9.92	790	3.6	X			
199	148	8.55	755	4.2	X			
28	590	60.00*	675	1.05	X			
35	510	48.00*	675	1.20	X			
44	465	39.00*	675	1.35	X			
52	390	32.50*	675	1.60	X			
62	360	27.50*	675	1.70	X	W 30	(E)DRS 71S4	25 867
69	335	24.50*	675	1.85	X	WF 30	(E)DRS 71S4	26 868
87	280	19.50*	675	2.2	X	WA 30	(E)DRS 71S4	25 870
104	240	16.33	675	2.2	X	WAF 30	(E)DRS 71S4	26 869
119	220	14.33	675	2.4	X			
166	166	10.25*	675	2.7	X			
207	136	8.20*	645	2.6	X			
259	114	6.57	605	3.1	X			
135	169	24.50*	445	2.1				
169	144	19.50*	415	2.2		W 20	DRS 71S2	20 864
200	125	16.50*	400	2.1		WF 20	DRS 71S2	20 865
230	114	14.33	385	2.3		WA 20	DRS 71S2	19 866
322	85	10.25*	350	2.6		WAF 20	DRS 71S2	19 865
402	69	8.20*	330	2.5				
502	58	6.57	310	3.0				
62	345	27.50*	495	1.00	X			
69	310	24.50*	495	1.15	X			
87	265	19.50*	490	1.15	X	W 20	(E)DRS 71S4	20 864
103	230	16.50*	470	1.15	X	WF 20	(E)DRS 71S4	20 865
119	215	14.33	455	1.25	X	WA 20	(E)DRS 71S4	19 866
166	161	10.25*	420	1.35	X	WAF 20	(E)DRS 71S4	19 865
207	132	8.20*	395	1.35	X			
259	111	6.57	380	1.60	X			

21933480/EN-US - 04/2018

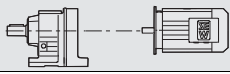

### P<sub>m</sub> = 0.75 HP

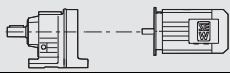

n <sub>a</sub> rpm	T <sub>a</sub> lb-in	i ratio	F <sub>Ra</sub> <sup>1)</sup> lb	SEW SF f <sub>B</sub>	HazLoc -NA®					m lbs	
22	1570	51.12	1440	1.00							
23	1480	47.78	1460	1.05							
27	1300	41.30	1480	1.20		W	47	DRS	80S6	48	877
32	1120	35.09	1450	1.40		WF	47	DRS	80S6	49	878
35	1120	31.62	1450	1.25		WA	47	DRS	80S6	45	879
36	1010	31.33	1420	1.55		WAF	47	DRS	80S6	46	878
41	970	27.41	1410	1.45							
44	910	25.62	1390	1.55							
23	1530	74.98	1450	1.05	X						
25	1420	68.93	1470	1.10	X						
29	1240	58.98	1480	1.30	X						
33	1090	51.12	1440	1.45	X						
35	1020	47.78	1430	1.55	X	W	47	(E)DRS	71M4	43	877
41	900	41.30	1380	1.75	X	WF	47	(E)DRS	71M4	44	878
48	775	35.09	1330	2.0	X	WA	47	(E)DRS	71M4	39	879
53	755	31.62	1330	1.85	X	WAF	47	(E)DRS	71M4	41	878
54	700	31.33	1300	2.3	X						
62	660	27.41	1280	2.1	X						
66	620	25.62	1260	2.3	X						
45	785	37.88	820	1.25	X						
53	740	31.67	830	1.05	X						
61	590	27.78	870	1.65	X						
63	640	26.96	860	1.25	X						
73	555	23.25	870	1.45	X						
79	465	21.33	890	2.1	X						
89	455	18.94	880	1.75	X						
108	380	15.67	840	2.1	X	W	37	(E)DRS	71M4	30	871
122	340	13.89	820	2.3	X	WF	37	(E)DRS	71M4	30	872
133	325	12.70	830	1.90	X	WA	37	(E)DRS	71M4	30	874
145	300	11.65	810	2.0	X	WAF	37	(E)DRS	71M4	30	872
158	265	10.67	765	3.0	X						
170	255	9.92	775	2.4	X						
198	220	8.55	740	2.8	X						
242	183	6.97	700	3.4	X						
293	152	5.77	660	4.1	X						
331	135	5.11	635	4.6	X						
431	104	3.93	585	5.9	X						
52	585	32.50*	675	1.05	X						
61	545	27.50*	675	1.15	X						
69	505	24.50*	675	1.20	X	W	30	(E)DRS	71M4	28	867
103	365	16.33	675	1.45	X	WF	30	(E)DRS	71M4	29	868
118	330	14.33	675	1.60	X	WA	30	(E)DRS	71M4	28	870
165	250	10.25*	670	1.75	X	WAF	30	(E)DRS	71M4	28	869
206	205	8.20*	630	1.70	X						
257	173	6.57	595	2.0	X						
105	305	32.50*	675	2.0							
124	275	27.50*	675	2.2							
140	255	24.50*	675	2.4							
175	215	19.50*	655	2.8		W	30	DRS	71M2	28	867
209	187	16.33	625	2.8		WF	30	DRS	71M2	29	868
239	169	14.33	600	3.1		WA	30	DRS	71M2	28	870
334	126	10.25*	550	3.5		WAF	30	DRS	71M2	28	869
417	103	8.20*	515	3.4							
520	87	6.57	480	4.1							

**P<sub>m</sub> = 1.0 HP**

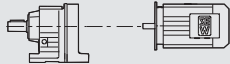

n <sub>a</sub> rpm	T <sub>a</sub> lb-in	i ratio	F <sub>Ra</sub> <sup>1)</sup> lb	SEW SF f <sub>B</sub>	HazLoc -NA®			m lbs			
33	1440	35.09	1330	1.10							
37	1300	31.33	1310	1.20							
42	1250	27.41	1310	1.15							
44	1130	26.76	1270	1.40							
45	1170	25.62	1300	1.20							
46	1060	25.07	1260	1.50							
53	1020	22.15	1260	1.40							
62	870	18.82	1220	1.60		W	47	DRN	90S6	67	877
69	785	16.80	1190	1.80		WF	47	DRN	90S6	68	878
81	680	14.35	1150	2.1		WA	47	DRN	90S6	64	879
87	635	13.44	1130	2.2		WAF	47	DRN	90S6	66	878
103	540	11.32	1080	2.6							
109	540	10.66	1110	1.80							
117	505	9.96	1090	1.90							
135	440	8.61	1050	2.2							
159	375	7.32	1000	2.6							
178	335	6.53	970	2.9							
30	1600	58.98	1350	1.00							
34	1400	51.12	1320	1.15	X						
37	1320	47.78	1310	1.20	X						
42	1160	41.30	1280	1.35	X						
50	1000	35.09	1240	1.60	X						
55	970	31.62	1250	1.45	X						
56	900	31.33	1220	1.75	X						
64	850	27.41	1210	1.65	X	W	47	(E)DRN	80M4	53	877
65	780	26.76	1180	2.0	X	WF	47	(E)DRN	80M4	54	878
68	800	25.62	1190	1.75	X	WA	47	(E)DRN	80M4	50	879
70	735	25.07	1160	2.2	X	WAF	47	(E)DRN	80M4	52	878
79	695	22.15	1160	2.0	X						
93	595	18.82	1110	2.4	X						
104	535	16.80	1080	2.6	X						
142	415	12.30	1030	2.3	X						
164	360	10.66	990	2.7	X						
176	340	9.96	970	2.9	X						
55	870	21.33	785	1.10							
74	725	15.67	830	1.10							
84	645	13.89	840	1.25		W	37	DRN	90S6	54	871
109	505	10.67	800	1.60		WF	37	DRN	90S6	54	872
136	425	8.55	800	1.45		WA	37	DRN	90S6	54	874
167	350	6.97	760	1.75		WAF	37	DRN	90S6	54	872
202	290	5.77	720	2.1							
228	255	5.11	700	2.4							
56	850	31.33	790	1.15	X						
63	765	27.78	820	1.25	X						
75	715	23.25	840	1.10	X						
82	600	21.33	830	1.60	X						
92	590	18.94	830	1.35	X						
112	490	15.67	795	1.60	X						
126	440	13.89	775	1.80	X	W	37	(E)DRN	80M4	41	871
164	340	10.67	730	2.3	X	WF	37	(E)DRN	80M4	41	872
176	330	9.92	750	1.85	X	WA	37	(E)DRN	80M4	41	874
205	285	8.55	720	2.1	X	WAF	37	(E)DRN	80M4	41	872
251	235	6.97	680	2.6	X						
304	196	5.77	645	3.2	X						
343	174	5.11	620	3.6	X						
446	134	3.93	575	4.6	X						
547	110	3.20*	540	5.7	X						
406	147	8.55	590	4.2							
499	120	6.97	555	5.2		W	37	DRN	80MS2	41	871
603	100	5.77	525	6.2		WF	37	DRN	80MS2	41	872
680	89	5.11	505	7.0		WA	37	DRN	80MS2	41	874
886	68	3.93	465	9.1		WAF	37	DRN	80MS2	41	872
1085	56	3.20*	435	11							

21933480/EN-US - 04/2018

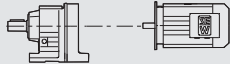

<b>P<sub>m</sub> = 1.0 HP</b>											
n <sub>a</sub> rpm	T <sub>a</sub> lb-in	i ratio	F <sub>Ra</sub> <sup>1)</sup> lb	SEW SF f <sub>B</sub>	HazLoc -NA®			m lbs			
107	470	16.33	675	1.10	X	<b>W</b>	<b>30</b>	<b>(E)DRN</b>	<b>80M4</b>	38	867
122	430	14.33	675	1.25	X						
171	320	10.25*	645	1.35	X						
214	260	8.20*	610	1.35	X						
266	220	6.57	575	1.60	X						
						<b>WF</b>	<b>30</b>	<b>(E)DRN</b>	<b>80M4</b>	39	868
						<b>WA</b>	<b>30</b>	<b>(E)DRN</b>	<b>80M4</b>	38	870
						<b>WAF</b>	<b>30</b>	<b>(E)DRN</b>	<b>80M4</b>	38	869

<b>P<sub>m</sub> = 1.5 HP</b>											
n <sub>a</sub> rpm	T <sub>a</sub> lb-in	i ratio	F <sub>Ra</sub> <sup>1)</sup> lb	SEW SF f <sub>B</sub>	HazLoc -NA®			m lbs			
50	1490	35.09	1080	1.05	X	<b>W</b>	<b>47</b>	<b>(E)DRN</b>	<b>90S4</b>	67	877
56	1340	31.33	1070	1.20	X						
64	1270	27.41	1100	1.10	X						
66	1160	26.76	1050	1.35	X						
69	1190	25.62	1090	1.20	X						
70	1090	25.07	1040	1.45	X						
80	1030	22.15	1060	1.35	X						
94	890	18.82	1030	1.60	X						
105	795	16.80	1010	1.75	X						
123	685	14.35	970	2.1	X						
131	645	13.44	960	2.2	X						
143	625	12.30	990	1.55	X						
156	545	11.32	920	2.6	X						
165	540	10.66	960	1.80	X						
177	505	9.96	940	1.90	X						
205	440	8.61	900	2.2	X						
241	375	7.32	860	2.6	X						
270	335	6.53	830	2.9	X						
83	890	21.33	710	1.10	X	<b>WF</b>	<b>37</b>	<b>(E)DRN</b>	<b>90S4</b>	54	871
112	735	15.67	715	1.10	X						
127	655	13.89	700	1.20	X						
165	510	10.67	675	1.55	X						
178	495	9.92	710	1.25	X						
206	425	8.55	685	1.45	X						
253	350	6.97	655	1.75	X						
306	290	5.77	620	2.1	X						
345	255	5.11	600	2.4	X						
449	200	3.93	560	3.1	X						
551	164	3.20*	525	3.8	X						
407	215	8.55	575	2.8		<b>WA</b>	<b>37</b>	<b>DRN</b>	<b>80M2</b>	41	871
500	180	6.97	540	3.4							
604	149	5.77	515	4.2							
682	133	5.11	495	4.7							
888	102	3.93	455	6.1							
1090	84	3.20*	430	7.4							
107	605	32.50*	665	1.00		<b>WAF</b>	<b>30</b>	<b>DRN</b>	<b>80M2</b>	38	867
127	545	27.50*	630	1.15							
142	505	24.50*	615	1.20							
213	365	16.33	570	1.45							
243	330	14.33	555	1.60							
340	245	10.25*	515	1.80							
425	200	8.20*	485	1.75							
530	171	6.57	460	2.1							

21933480/EN-US - 04/2018

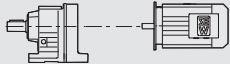

<b>P<sub>m</sub> = 2.0 HP</b>									
n <sub>a</sub> rpm	T <sub>a</sub> lb-in	i ratio	F <sub>Ra</sub> <sup>1)</sup> lb	SEW SF f <sub>B</sub>	HazLoc -NA®			m lbs	
66	1540	26.76	930	1.05	X				
70	1450	25.07	930	1.10	X				
80	1380	22.15	970	1.00	X				
94	1180	18.82	950	1.20	X				
105	1060	16.80	940	1.35	X				
123	910	14.35	910	1.55	X				
131	850	13.44	900	1.65	X	W	47	(E)DRN 90L4	74 877
156	725	11.32	870	1.95	X	WF	47	(E)DRN 90L4	75 878
166	720	10.66	930	1.35	X	WA	47	(E)DRN 90L4	71 879
177	675	9.96	910	1.45	X	WAF	47	(E)DRN 90L4	73 878
205	585	8.61	880	1.65	X				
241	495	7.32	840	1.95	X				
270	445	6.53	810	2.2	X				
317	380	5.58	780	2.5	X				
338	355	5.23	765	2.7	X				
166	675	10.67	615	1.15	X				
207	570	8.55	655	1.10	X	W	37	(E)DRN 90L4	61 871
254	465	6.97	625	1.35	X	WF	37	(E)DRN 90L4	61 872
306	385	5.77	600	1.60	X	WA	37	(E)DRN 90L4	61 874
346	340	5.11	580	1.80	X	WAF	37	(E)DRN 90L4	61 872
450	265	3.93	545	2.3	X				
552	215	3.20*	515	2.9	X				
410	290	8.55	555	2.1		W	37	DRN 90S2	54 871
503	235	6.97	530	2.6		WF	37	DRN 90S2	54 872
608	198	5.77	500	3.1		WA	37	DRN 90S2	54 874
686	176	5.11	485	3.5		WAF	37	DRN 90S2	54 872
893	135	3.93	450	4.6					
1095	111	3.20*	425	5.6					



12



<b>P<sub>m</sub> = 3.0 HP</b>									
n <sub>a</sub> rpm	T <sub>a</sub> lb-in	i ratio	F <sub>Ra</sub> <sup>1)</sup> lb	SEW SF f <sub>B</sub>	HazLoc -NA®			m lbs	
123	1370	14.35	790	1.05	X				
131	1290	13.44	790	1.10	X				
156	1090	11.32	780	1.30	X				
205	880	8.61	830	1.10	X				
241	750	7.32	800	1.30	X	W	47	(E)DRN 100LM4	98 877
270	670	6.53	775	1.45	X	WF	47	(E)DRN 100LM4	100 878
316	575	5.58	750	1.70	X	WA	47	(E)DRN 100LM4	95 879
337	535	5.23	735	1.80	X	WAF	47	(E)DRN 100LM4	97 878
400	455	4.40	705	2.1	X				
453	400	3.89	680	2.4	X				
539	335	3.27	650	2.9	X				
412	430	8.55	525	1.40		W	37	DRN 90L2	61 871
506	355	6.97	500	1.75		WF	37	DRN 90L2	61 872
611	295	5.77	480	2.1		WA	37	DRN 90L2	61 874
690	260	5.11	465	2.4		WAF	37	DRN 90L2	61 872
898	200	3.93	435	3.1					
1100	165	3.20*	410	3.8					

21933480/EN-US - 04/2018

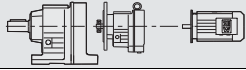



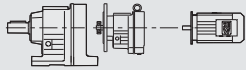

<b>P<sub>m</sub> = 4.0 HP</b>											
<b>n<sub>a</sub></b> rpm	<b>T<sub>a</sub></b> lb-in	<b>i</b> ratio	<b>F<sub>Ra</sub><sup>1)</sup></b> lb	<b>SEW SF</b> <b>f<sub>B</sub></b>	<b>HazLoc</b> <b>-NA®</b>					<b>m</b> <b>lbs</b>	
<b>270</b>	890	6.53	740	1.10	X						
<b>316</b>	765	5.58	715	1.25	X	<b>W</b>	<b>47</b>	<b>(E)DRN</b>	<b>100L4</b>	98	877
<b>337</b>	715	5.23	705	1.35	X	<b>WF</b>	<b>47</b>	<b>(E)DRN</b>	<b>100L4</b>	100	878
<b>400</b>	605	4.40	680	1.60	X	<b>WA</b>	<b>47</b>	<b>(E)DRN</b>	<b>100L4</b>	95	879
<b>453</b>	535	3.89	660	1.80	X	<b>WAF</b>	<b>47</b>	<b>(E)DRN</b>	<b>100L4</b>	97	878
<b>540</b>	450	3.27	630	2.1	X						
<b>505</b>	475	6.97	475	1.30		<b>W</b>	<b>37</b>	<b>DRN</b>	<b>100LM2</b>	85	871
<b>610</b>	390	5.77	460	1.55		<b>WF</b>	<b>37</b>	<b>DRN</b>	<b>100LM2</b>	85	872
<b>688</b>	350	5.11	445	1.75		<b>WA</b>	<b>37</b>	<b>DRN</b>	<b>100LM2</b>	85	874
<b>896</b>	270	3.93	420	2.3		<b>WAF</b>	<b>37</b>	<b>DRN</b>	<b>100LM2</b>	85	872
<b>1100</b>	220	3.20*	400	2.8							

<b>P<sub>m</sub> = 5.0 HP</b>											
<b>n<sub>a</sub></b> rpm	<b>T<sub>a</sub></b> lb-in	<b>i</b> ratio	<b>F<sub>Ra</sub><sup>1)</sup></b> lb	<b>SEW SF</b> <b>f<sub>B</sub></b>	<b>HazLoc</b> <b>-NA®</b>					<b>m</b> <b>lbs</b>	
<b>315</b>	960	5.58	680	1.00	X						
<b>336</b>	900	5.23	675	1.10	X	<b>W</b>	<b>47</b>	<b>(E)DRN</b>	<b>100L4</b>	98	877
<b>399</b>	760	4.40	650	1.30	X	<b>WF</b>	<b>47</b>	<b>(E)DRN</b>	<b>100L4</b>	100	878
<b>452</b>	670	3.89	635	1.45	X	<b>WA</b>	<b>47</b>	<b>(E)DRN</b>	<b>100L4</b>	95	879
<b>538</b>	565	3.27	610	1.70	X	<b>WAF</b>	<b>47</b>	<b>(E)DRN</b>	<b>100L4</b>	97	878
<b>629</b>	485	5.58	590	2.0		<b>W</b>	<b>47</b>	<b>DRN</b>	<b>100L2</b>	98	877
<b>671</b>	455	5.23	580	2.1		<b>WF</b>	<b>47</b>	<b>DRN</b>	<b>100L2</b>	100	878
<b>797</b>	380	4.40	555	2.5		<b>WA</b>	<b>47</b>	<b>DRN</b>	<b>100L2</b>	95	879
<b>902</b>	335	3.89	540	2.9		<b>WAF</b>	<b>47</b>	<b>DRN</b>	<b>100L2</b>	97	878
<b>1075</b>	285	3.27	515	3.4							

<b>P<sub>m</sub> = 5.4 HP</b>											
<b>n<sub>a</sub></b> rpm	<b>T<sub>a</sub></b> lb-in	<b>i</b> ratio	<b>F<sub>Ra</sub><sup>1)</sup></b> lb	<b>SEW SF</b> <b>f<sub>B</sub></b>	<b>HazLoc</b> <b>-NA®</b>					<b>m</b> <b>lbs</b>	
<b>338</b>	960	5.23	660	1.00	X						
<b>402</b>	810	4.40	640	1.20	X	<b>W</b>	<b>47</b>	<b>(E)DRN</b>	<b>112M4</b>	120	877
<b>455</b>	720	3.89	625	1.35	X	<b>WF</b>	<b>47</b>	<b>(E)DRN</b>	<b>112M4</b>	120	878
<b>542</b>	605	3.27	605	1.60	X	<b>WA</b>	<b>47</b>	<b>(E)DRN</b>	<b>112M4</b>	115	879
						<b>WAF</b>	<b>47</b>	<b>(E)DRN</b>	<b>112M4</b>	120	878
<b>636</b>	515	5.58	580	1.90		<b>W</b>	<b>47</b>	<b>DRN</b>	<b>112M2</b>	120	877
<b>680</b>	485	5.23	570	2.0		<b>WF</b>	<b>47</b>	<b>DRN</b>	<b>112M2</b>	120	878
<b>807</b>	410	4.40	550	2.4		<b>WA</b>	<b>47</b>	<b>DRN</b>	<b>112M2</b>	115	879
<b>913</b>	360	3.89	530	2.7		<b>WAF</b>	<b>47</b>	<b>DRN</b>	<b>112M2</b>	120	878
<b>1085</b>	300	3.27	510	3.2							



**12.4 W.. R.. DRS/DRN.. Selections by torque / low output speed**

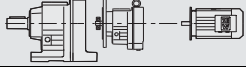

<b>T<sub>a max</sub> = 795 lb-in</b>								
<b>n<sub>a</sub></b> <b>rpm</b>	<b>i</b>	<b>F<sub>Ra</sub><sup>(1)</sup></b> <b>lb</b>					<b>m</b> <b>lbs</b>	
23 27	73 63	810 810	<b>W</b>	<b>37R17</b>	<b>DRS</b>	<b>71S4</b>	34	871/882
			<b>WF</b>	<b>37R17</b>	<b>DRS</b>	<b>71S4</b>	34	872/882
			<b>WA</b>	<b>37R17</b>	<b>DRS</b>	<b>71S4</b>	34	874/882
			<b>WAF</b>	<b>37R17</b>	<b>DRS</b>	<b>71S4</b>	34	872/882
32 35	53 48	810 810	<b>W</b>	<b>37R17</b>	<b>DRS</b>	<b>71M4</b>	37	871/882
			<b>WF</b>	<b>37R17</b>	<b>DRS</b>	<b>71M4</b>	37	872/882
			<b>WA</b>	<b>37R17</b>	<b>DRS</b>	<b>71M4</b>	37	874/882
			<b>WAF</b>	<b>37R17</b>	<b>DRS</b>	<b>71M4</b>	37	872/882

<b>T<sub>a max</sub> = 970 lb-in</b>								
<b>n<sub>a</sub></b> <b>rpm</b>	<b>i</b>	<b>F<sub>Ra</sub><sup>(1)</sup></b> <b>lb</b>					<b>m</b> <b>lbs</b>	
0.38	4402	745						
0.44	3795	745						
0.51	3272	745						
0.58	2899	745						
0.66	2558	745						
0.71	2382	745	<b>W</b>	<b>37R17</b>	<b>DR</b>	<b>63S4</b>	29	871/882
0.77	2172	745	<b>WF</b>	<b>37R17</b>	<b>DR</b>	<b>63S4</b>	29	872/882
0.86	1952	745	<b>WA</b>	<b>37R17</b>	<b>DR</b>	<b>63S4</b>	29	874/882
0.94	1795	745	<b>WAF</b>	<b>37R17</b>	<b>DR</b>	<b>63S4</b>	29	872/882
1.1	1593	745						
1.1	1463	745						
1.3	1298	745						
2.2	754	745						
2.5	669	745						
1.4	1173	745						
1.6	1063	745						
1.8	956	745						
2.0	854	745						
2.8	600	745	<b>W</b>	<b>37R17</b>	<b>DR</b>	<b>63S4</b>	29	871/882
3.2	532	745	<b>WF</b>	<b>37R17</b>	<b>DR</b>	<b>63S4</b>	29	872/882
3.6	472	745	<b>WA</b>	<b>37R17</b>	<b>DR</b>	<b>63S4</b>	29	874/882
3.9	434	745	<b>WAF</b>	<b>37R17</b>	<b>DR</b>	<b>63S4</b>	29	872/882
4.4	384	745						
4.7	359	745						
5.1	327	745						
6.0	286	745						
6.4	267	745						
7.3	233	745						
8.2	207	745	<b>W</b>	<b>37R17</b>	<b>DRS</b>	<b>71S4</b>	34	871/882
9.2	184	745	<b>WF</b>	<b>37R17</b>	<b>DRS</b>	<b>71S4</b>	34	872/882
11	160	745	<b>WA</b>	<b>37R17</b>	<b>DRS</b>	<b>71S4</b>	34	874/882
12	141	745	<b>WAF</b>	<b>37R17</b>	<b>DRS</b>	<b>71S4</b>	34	872/882
14	125	745						
16	109	745						
18	96	745						
21	82	745	<b>W</b>	<b>37R17</b>	<b>DRS</b>	<b>71M4</b>	37	871/882
			<b>WF</b>	<b>37R17</b>	<b>DRS</b>	<b>71M4</b>	37	872/882
			<b>WA</b>	<b>37R17</b>	<b>DRS</b>	<b>71M4</b>	37	874/882
			<b>WAF</b>	<b>37R17</b>	<b>DRS</b>	<b>71M4</b>	37	872/882

12

21933480/EN-US - 04/2018

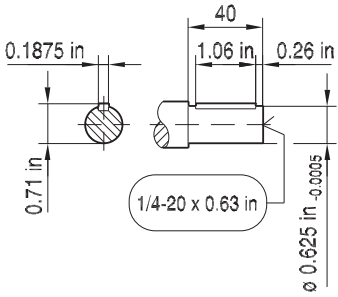
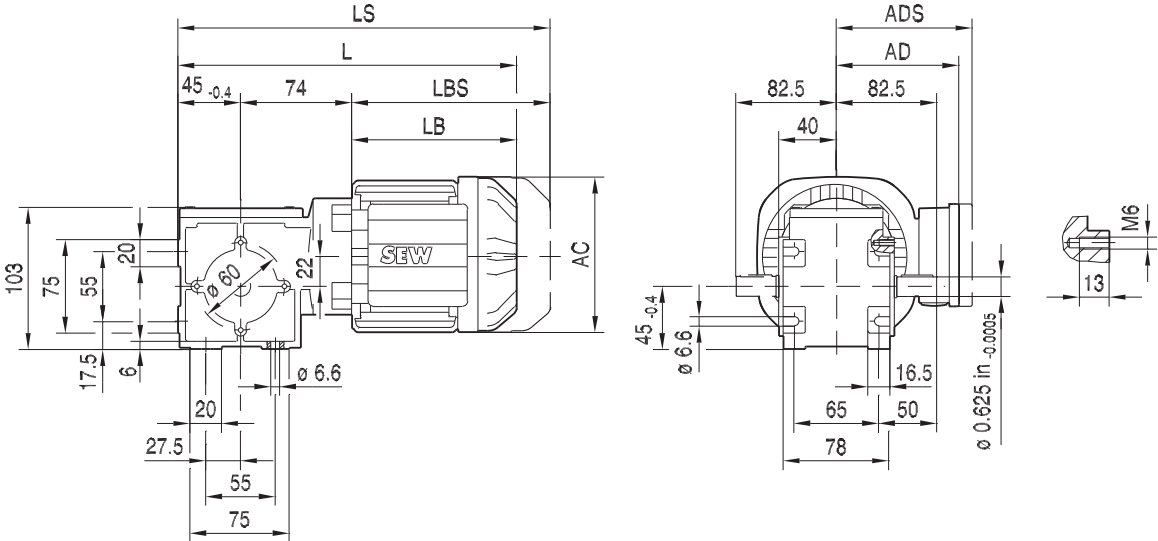
<b>T<sub>a max</sub> = 1410 lb-in</b>								
<b>n<sub>a</sub></b> rpm	<b>i</b>	<b>F<sub>Ra</sub><sup>1)</sup></b> lb					<b>m</b> lbs	
<b>14</b> <b>16</b>	124 105	1490 1490	<b>W</b>	<b>47R17</b>	<b>DRS</b>	<b>71S4</b>	46	877/882
			<b>WF</b>	<b>47R17</b>	<b>DRS</b>	<b>71S4</b>	47	878/882
			<b>WA</b>	<b>47R17</b>	<b>DRS</b>	<b>71S4</b>	43	879/882
			<b>WAF</b>	<b>47R17</b>	<b>DRS</b>	<b>71S4</b>	45	878/882
<b>18</b> <b>20</b> <b>22</b> <b>23</b>	95 85 77 72	1490 1490 1490 1490	<b>W</b>	<b>47R17</b>	<b>DRS</b>	<b>71M4</b>	49	877/882
			<b>WF</b>	<b>47R17</b>	<b>DRS</b>	<b>71M4</b>	50	878/882
			<b>WA</b>	<b>47R17</b>	<b>DRS</b>	<b>71M4</b>	46	879/882
			<b>WAF</b>	<b>47R17</b>	<b>DRS</b>	<b>71M4</b>	48	878/882

<b>T<sub>a max</sub> = 1590 lb-in</b>								
<b>n<sub>a</sub></b> rpm	<b>i</b>	<b>F<sub>Ra</sub><sup>1)</sup></b> lb					<b>m</b> lbs	
<b>0.35</b>	4815	1440						
<b>0.40</b>	4173	1440						
<b>0.43</b>	3870	1440						
<b>0.47</b>	3598	1440						
<b>0.50</b>	3354	1440						
<b>0.53</b>	3171	1440						
<b>0.61</b>	2748	1440						
<b>0.69</b>	2425	1440	<b>W</b>	<b>47R17</b>	<b>DR</b>	<b>63S4</b>	41	877/882
<b>0.74</b>	2258	1440	<b>WF</b>	<b>47R17</b>	<b>DR</b>	<b>63S4</b>	42	878/882
<b>0.80</b>	2111	1440	<b>WA</b>	<b>47R17</b>	<b>DR</b>	<b>63S4</b>	38	879/882
<b>0.86</b>	1959	1440	<b>WAF</b>	<b>47R17</b>	<b>DR</b>	<b>63S4</b>	40	878/882
<b>0.93</b>	1797	1440						
<b>1.1</b>	1595	1440						
<b>1.1</b>	1486	1440						
<b>1.2</b>	1448	1440						
<b>1.4</b>	1170	1440						
<b>2.2</b>	754	1440						
<b>1.3</b>	1290	1440						
<b>1.4</b>	1183	1440						
<b>1.6</b>	1042	1440	<b>W</b>	<b>47R17</b>	<b>DR</b>	<b>63S4</b>	41	877/882
<b>1.8</b>	956	1440	<b>WF</b>	<b>47R17</b>	<b>DR</b>	<b>63S4</b>	42	878/882
<b>1.9</b>	869	1440	<b>WA</b>	<b>47R17</b>	<b>DR</b>	<b>63S4</b>	37	879/882
<b>2.5</b>	661	1440	<b>WAF</b>	<b>47R17</b>	<b>DR</b>	<b>63S4</b>	39	878/882
<b>2.8</b>	596	1440						
<b>3.1</b>	536	1440						
<b>3.6</b>	473	1440						
<b>3.9</b>	434	1440						
<b>4.4</b>	386	1440						
<b>4.7</b>	359	1440						
<b>5.3</b>	318	1440						
<b>5.8</b>	291	1440	<b>W</b>	<b>47R17</b>	<b>DRS</b>	<b>71S4</b>	46	877/882
<b>6.3</b>	270	1440	<b>WF</b>	<b>47R17</b>	<b>DRS</b>	<b>71S4</b>	47	878/882
<b>6.4</b>	265	1440	<b>WA</b>	<b>47R17</b>	<b>DRS</b>	<b>71S4</b>	43	879/882
<b>7.2</b>	237	1440	<b>WAF</b>	<b>47R17</b>	<b>DRS</b>	<b>71S4</b>	45	878/882
<b>8.1</b>	210	1440						
<b>9.3</b>	183	1440						
<b>11</b>	159	1440						
<b>12</b>	141	1440						
<b>14</b>	120	1440	<b>W</b>	<b>47R17</b>	<b>DRS</b>	<b>71M4</b>	49	877/882
			<b>WF</b>	<b>47R17</b>	<b>DRS</b>	<b>71M4</b>	50	878/882
			<b>WA</b>	<b>47R17</b>	<b>DRS</b>	<b>71M4</b>	46	879/882
			<b>WAF</b>	<b>47R17</b>	<b>DRS</b>	<b>71M4</b>	48	878/882

12.5 W.. DRS/DRN.. Dimensions

W10..

20 042 00 16



12

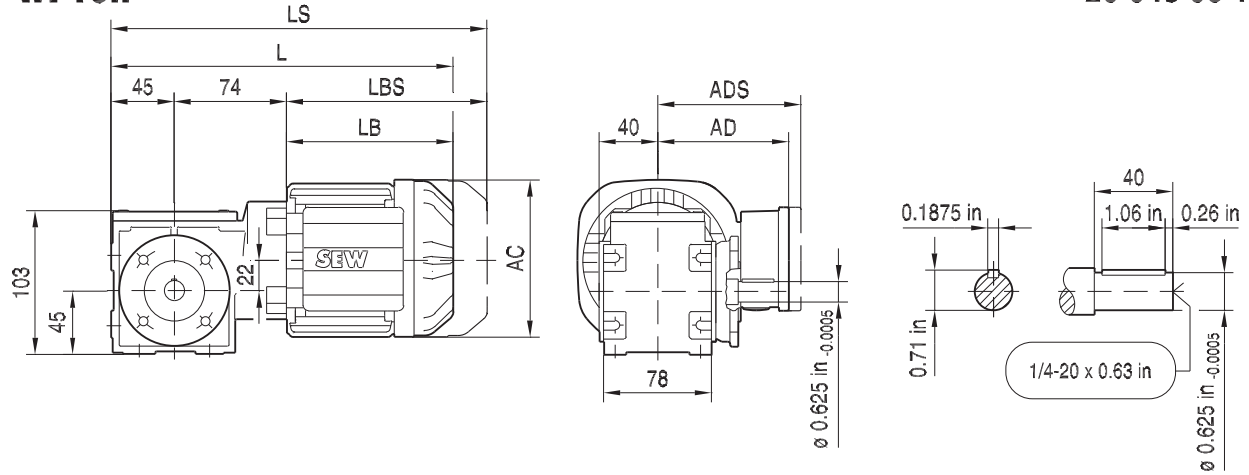
21933480/EN-US - 04/2018

(→ 163)	DT56..							
AC	109							
AD	87							
ADS	87							
L	255							
LS	291							
LB	136							
LBS	172							

Dimensions in mm unless noted as inch. For all available output shaft diameters, see page 883. For tolerances, see page 163.

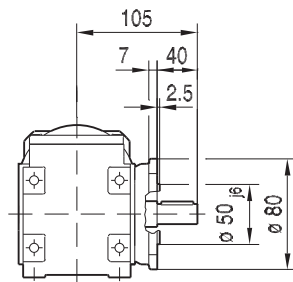
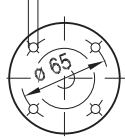
### WF10..

20 043 00 16



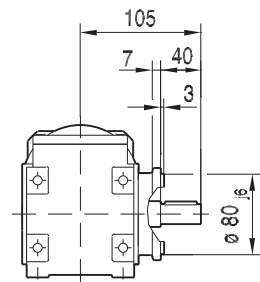
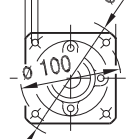
**ø 80**

$\varnothing 6.5$



**ø 120**

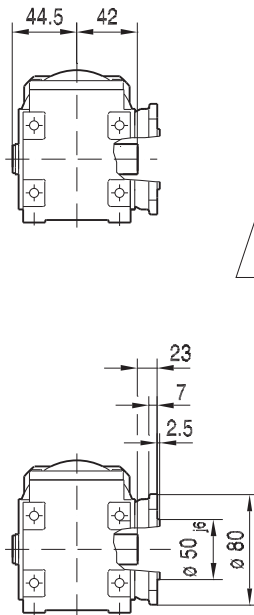
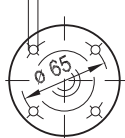
$\varnothing 6.5$



### WAF10..

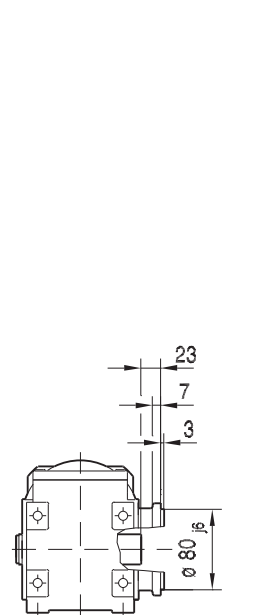
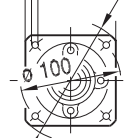
**ø 80**

$\varnothing 6.5$



**ø 120**

$\varnothing 6.5$

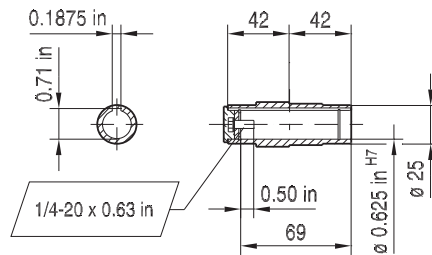
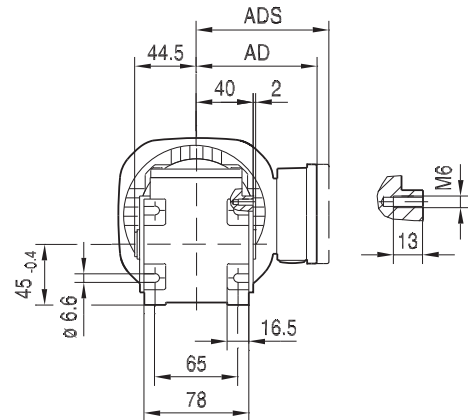
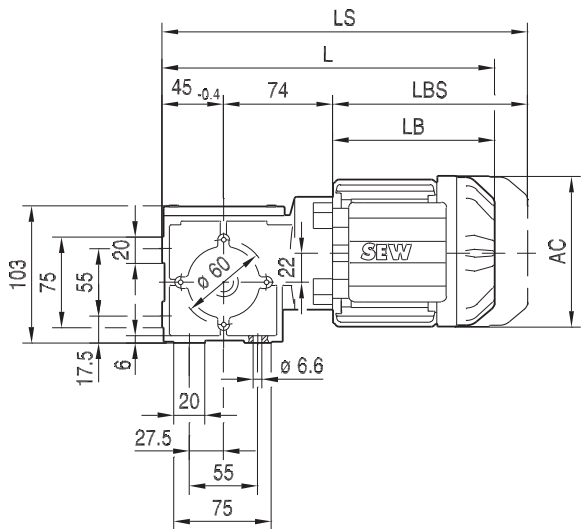
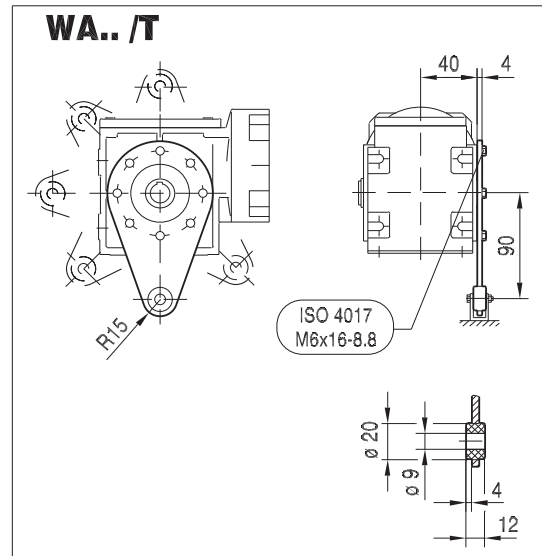


(→ 163)	DT56..						
AC	109						
AD	87						
ADS	87						
L	255						
LS	291						
LB	136						
LBS	172						

Dimensions in mm unless noted as inch. For all available output shaft diameters, see page 883. For tolerances, see page 163.

WA10..

20 044 00 16



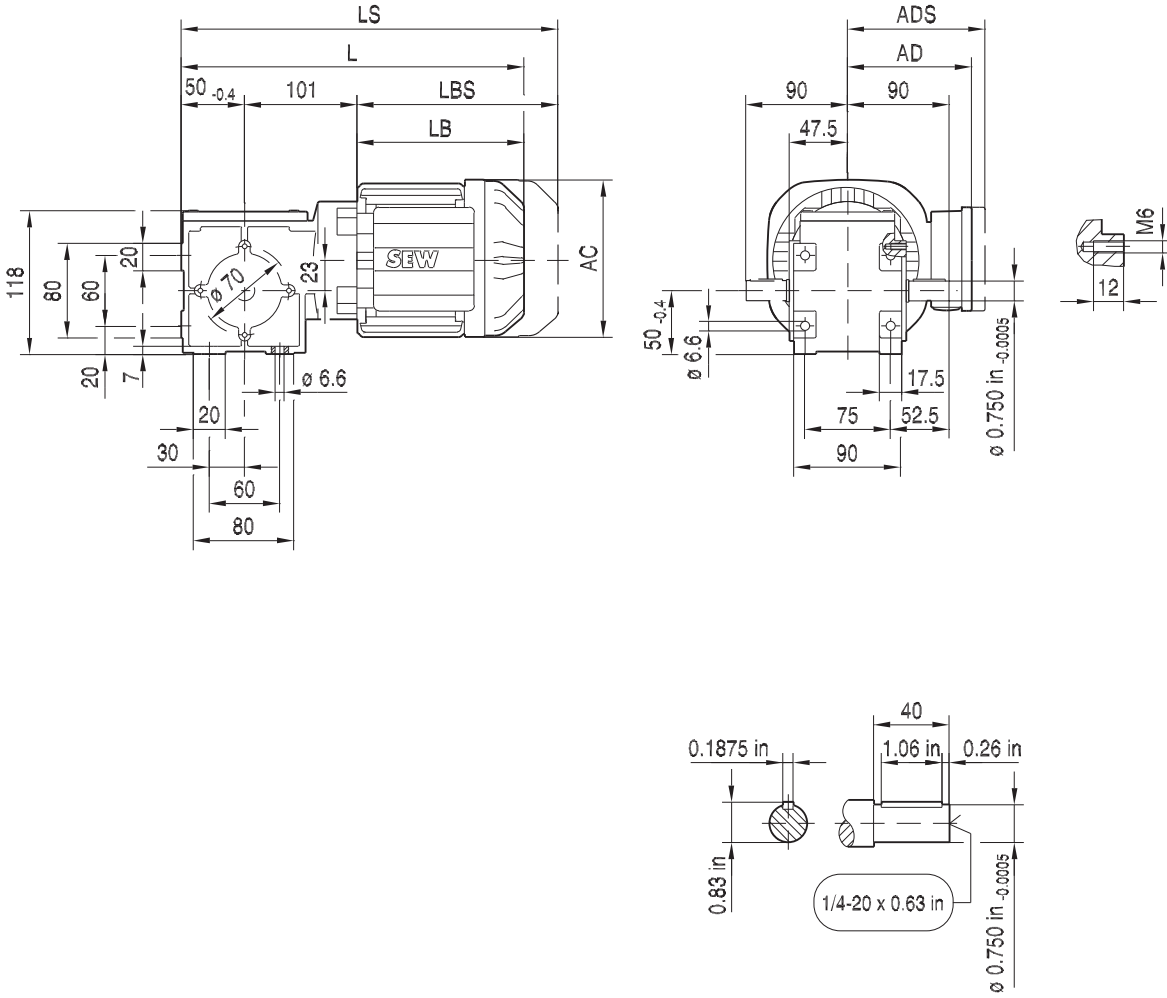
(→ 163)	DT56..						
AC	109						
AD	87						
ADS	87						
L	255						
LS	291						
LB	136						
LBS	172						

Dimensions in mm unless noted as inch. For all available output shaft diameters, see page 885. For tolerances, see page 163.

21933480/EN-US - 04/2018

#### W20..

20 045 00 16<sup>L</sup>

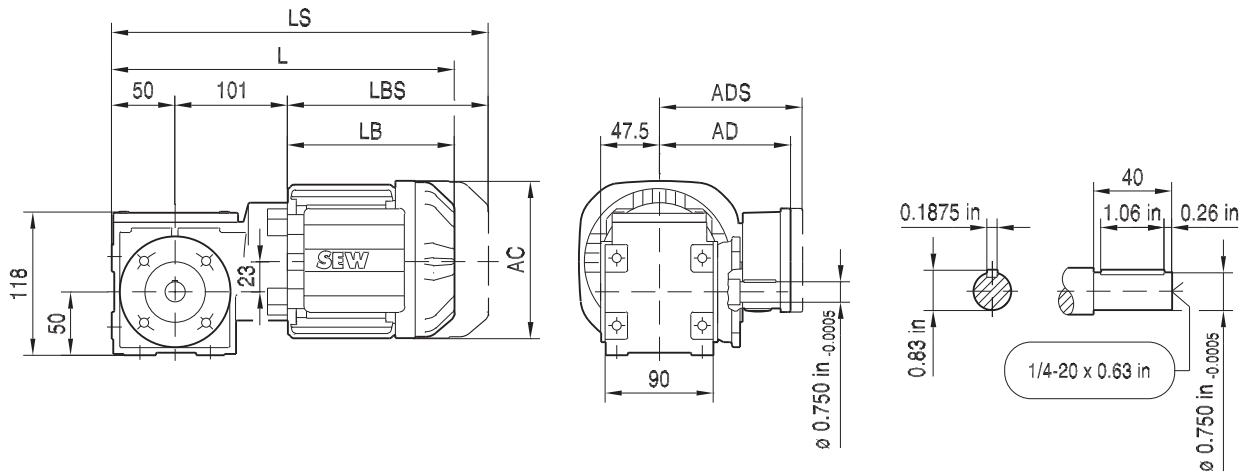


(→ 163)	DR63	DRS71S	DRS71M				
AC	132	139	139				
AD	105	119	119				
ADS	105	129	129				
L	300	311	336				
LS	355	379	404				
LB	149	160	185				
LBS	204	228	253				

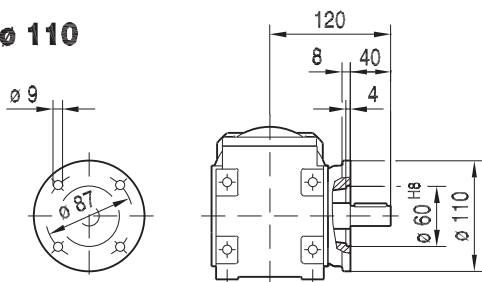
Dimensions in mm unless noted as inch. For all available output shaft diameters, see page 883. For tolerances, see page 163.

WF20..

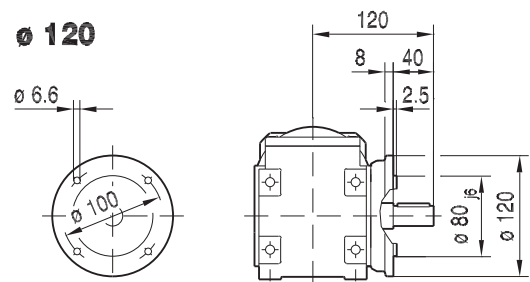
20 046 00 16



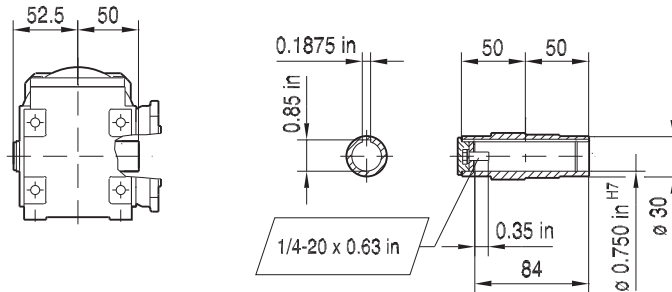
Ø 110



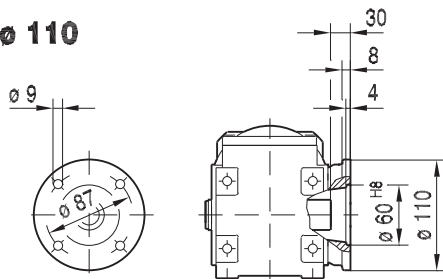
Ø 120



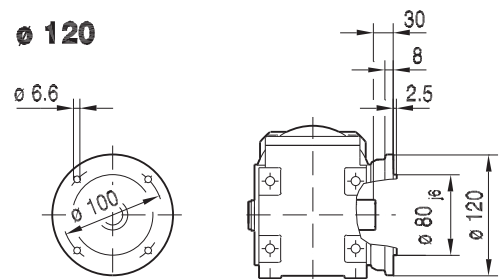
WAF20..



Ø 110



Ø 120



(→ 163)	DR63	DRS71S	DRS71M				
AC	132	139	139				
AD	105	119	119				
ADS	105	129	129				
L	300	311	336				
LS	355	379	404				
LB	149	160	185				
LBS	204	228	253				

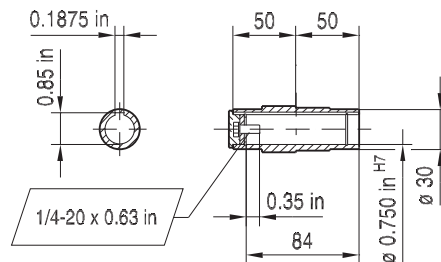
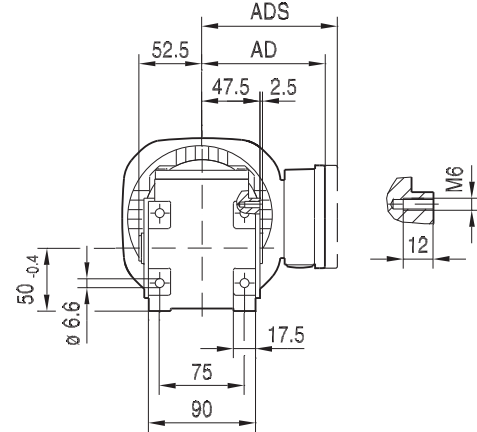
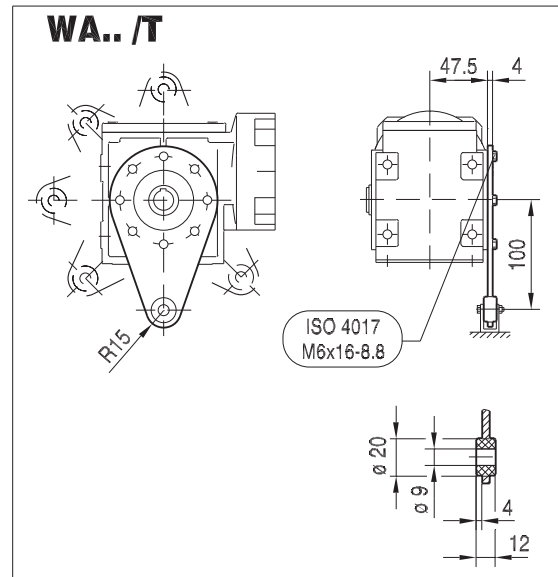
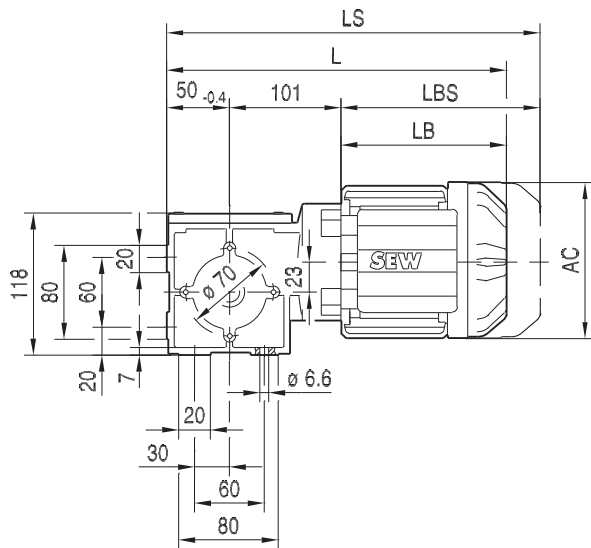
Dimensions in mm unless noted as inch. For all available output shaft diameters, see page 883. For tolerances, see page 163.

21933480/EN-US - 04/2018



### WA20..

20 047 00 16



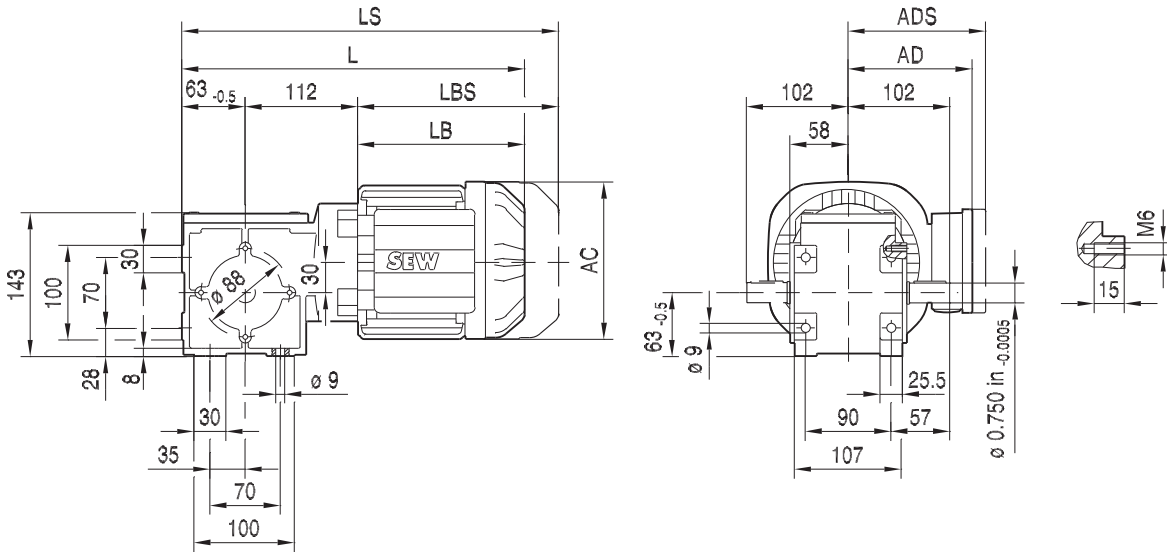
(→ 163)	DR63	DRS71S	DRS71M				
AC	132	139	139				
AD	105	119	119				
ADS	105	129	129				
L	300	311	336				
LS	355	379	404				
LB	149	160	185				
LBS	204	228	253				

Dimensions in mm unless noted as inch. For all available output shaft diameters, see page 885. For tolerances, see page 163.

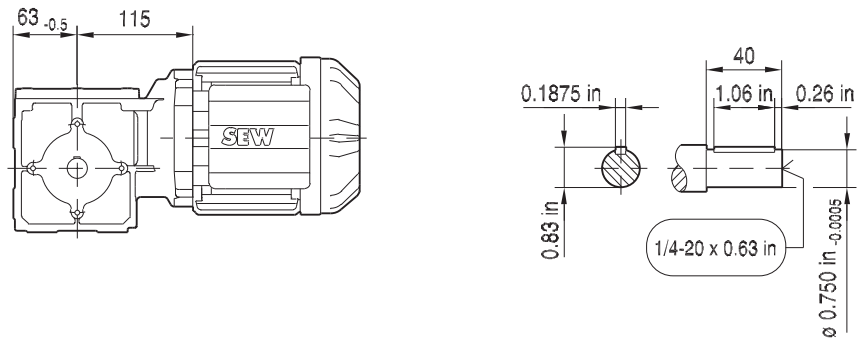
21933480/EN-US - 04/2018

20 048 00 16

**W30..**



**DRN80..**



12

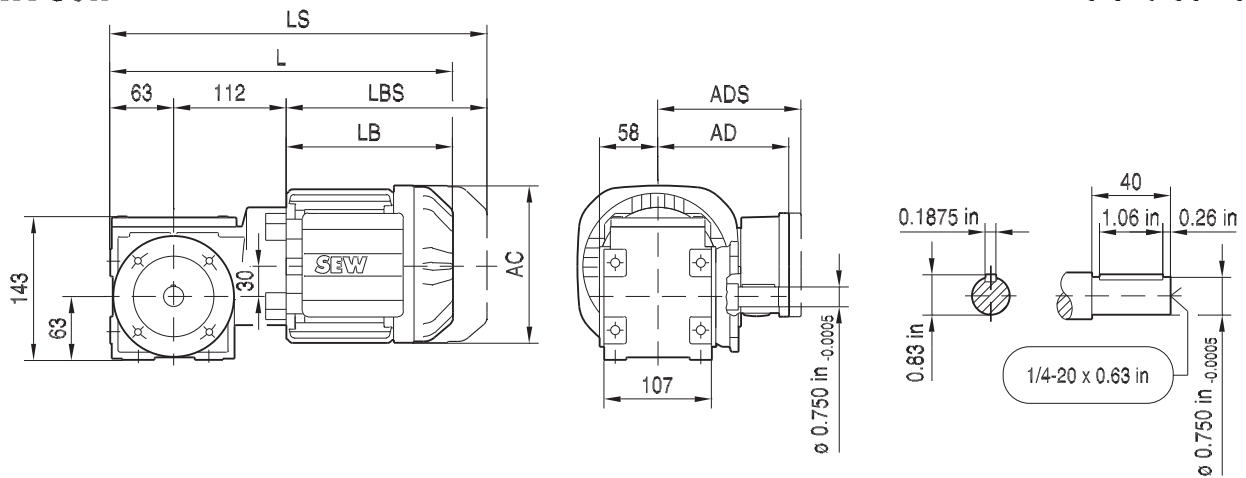
21933480/EN-US - 04/2018

(→ 163)	DR63	DRS71S	DRS71M	DRN80M				
AC	132	139	139	156				
AD	105	119	119	128				
ADS	105	129	129	139				
L	324	335	360	410				
LS	379	403	428	491				
LB	149	160	185	235				
LBS	204	228	253	316				

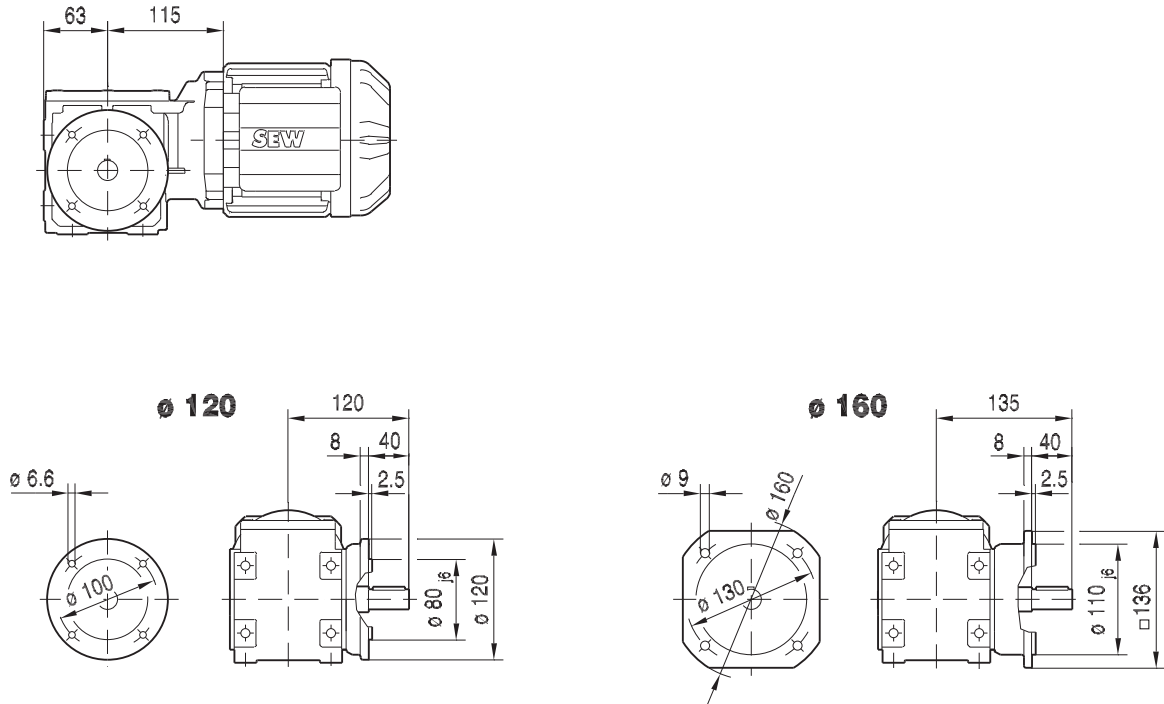
Dimensions in mm unless noted as inch. For all available output shaft diameters, see page 883. For tolerances, see page 163.

### WF30..

20 049 00 16



### DRN80..

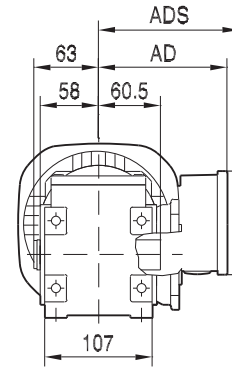
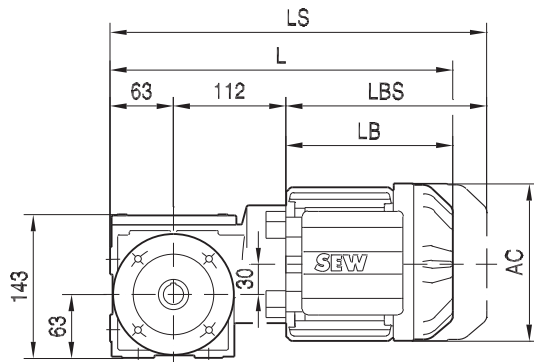


(→ 163)	DR63	DRS71S	DRS71M	DRN80M			
AC	132	139	139	156			
AD	105	119	119	128			
ADS	105	129	129	139			
L	324	335	360	410			
LS	379	403	428	491			
LB	149	160	185	235			
LBS	204	228	253	316			

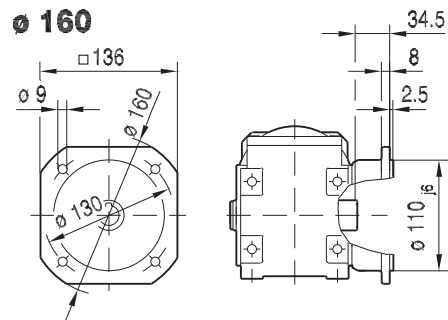
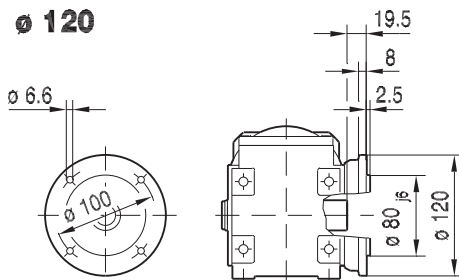
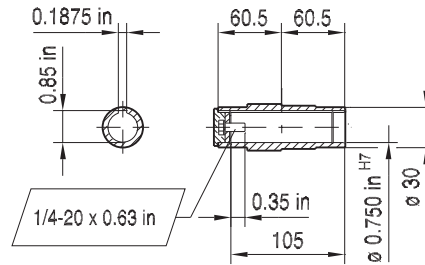
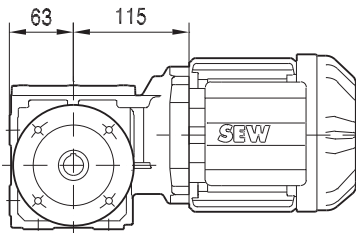
Dimensions in mm unless noted as inch. For all available output shaft diameters, see page 883. For tolerances, see page 163.

**WAF30..**

20 050 00 16



**DRN80..**



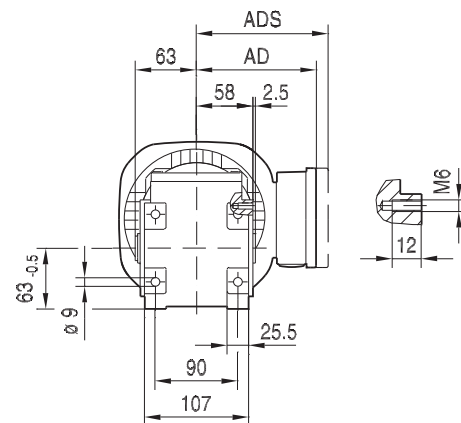
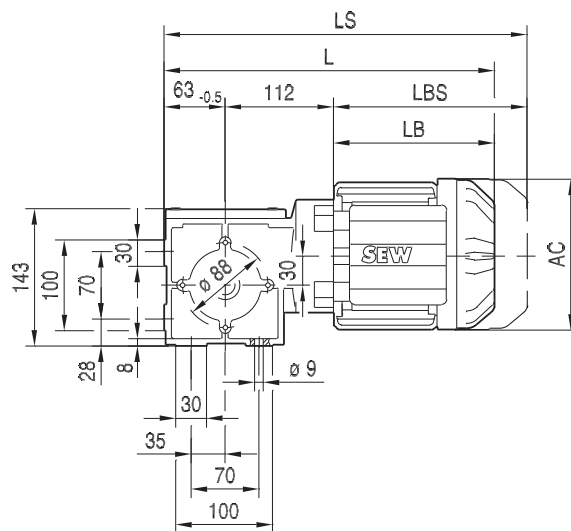
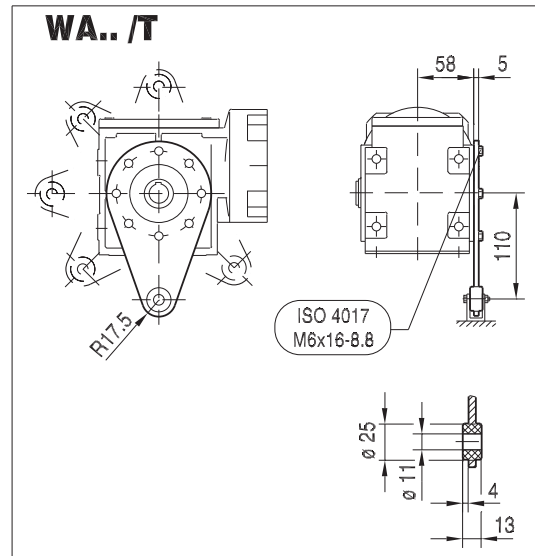
21933480/EN-US - 04/2018

(→ 163)	DR63	DRS71S	DRS71M	DRN80M			
AC	132	139	139	156			
AD	105	119	119	128			
ADS	105	129	129	139			
L	324	335	360	410			
LS	379	403	428	491			
LB	149	160	185	235			
LBS	204	228	253	316			

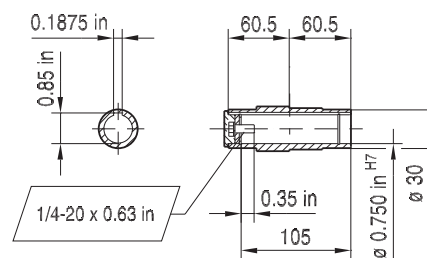
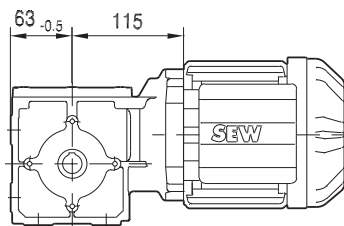
Dimensions in mm unless noted as inch. For all available output shaft diameters, see page 885. For tolerances, see page 163.

### WA30..

20 051 00 16 <sup>L</sup>



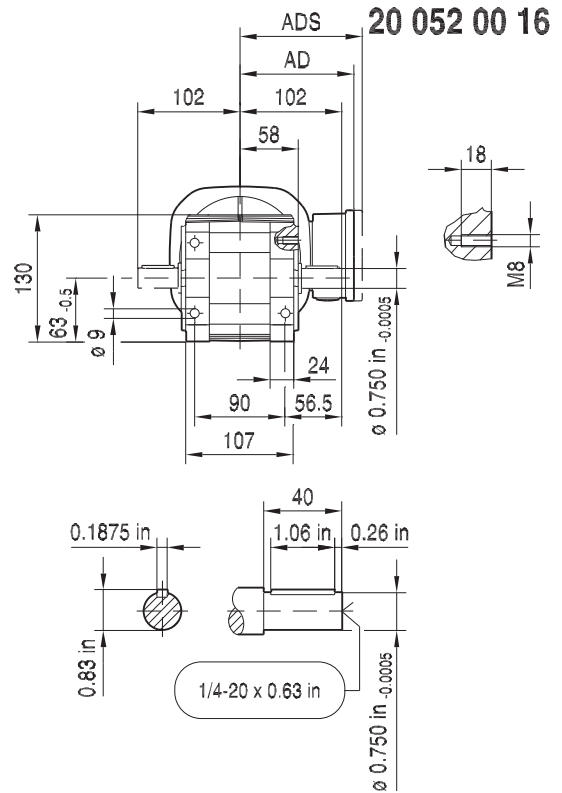
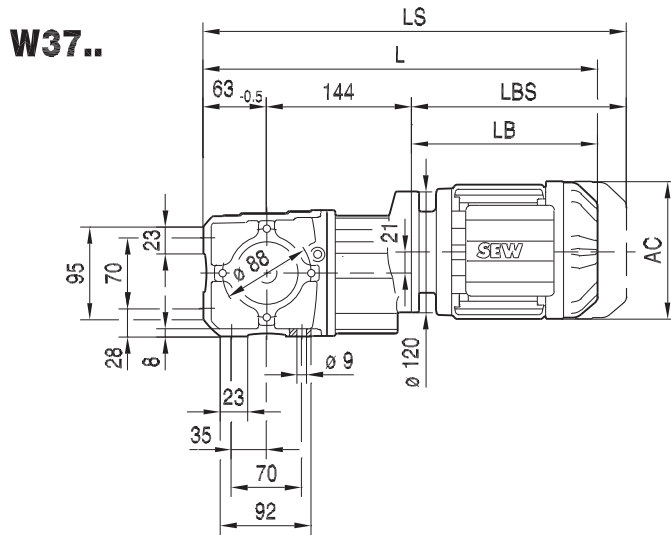
### DRN80..



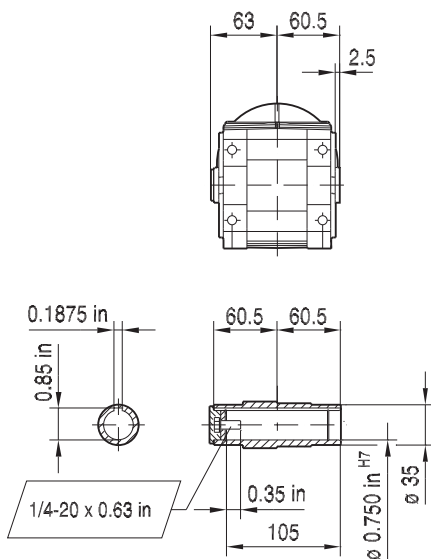
(→ 163)	DR63	DRS71S	DRS71M	DRN80M			
AC	132	139	139	156			
AD	105	119	119	128			
ADS	105	129	129	139			
L	324	335	360	410			
LS	379	403	428	491			
LB	149	160	185	235			
LBS	204	228	253	316			

Dimensions in mm unless noted as inch. For all available output shaft diameters, see page 885. For tolerances, see page 163.

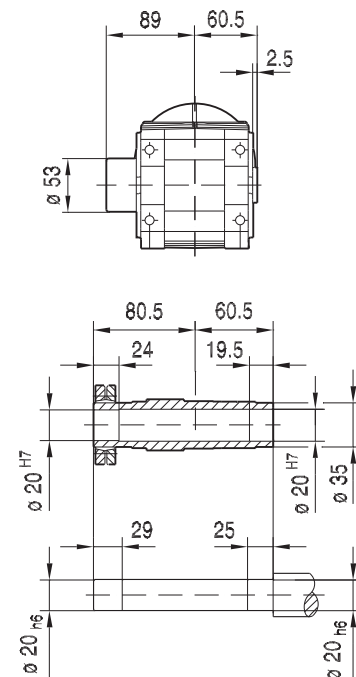
21933480/EN-US - 04/2018



**WA37B..**



**WH37B..**



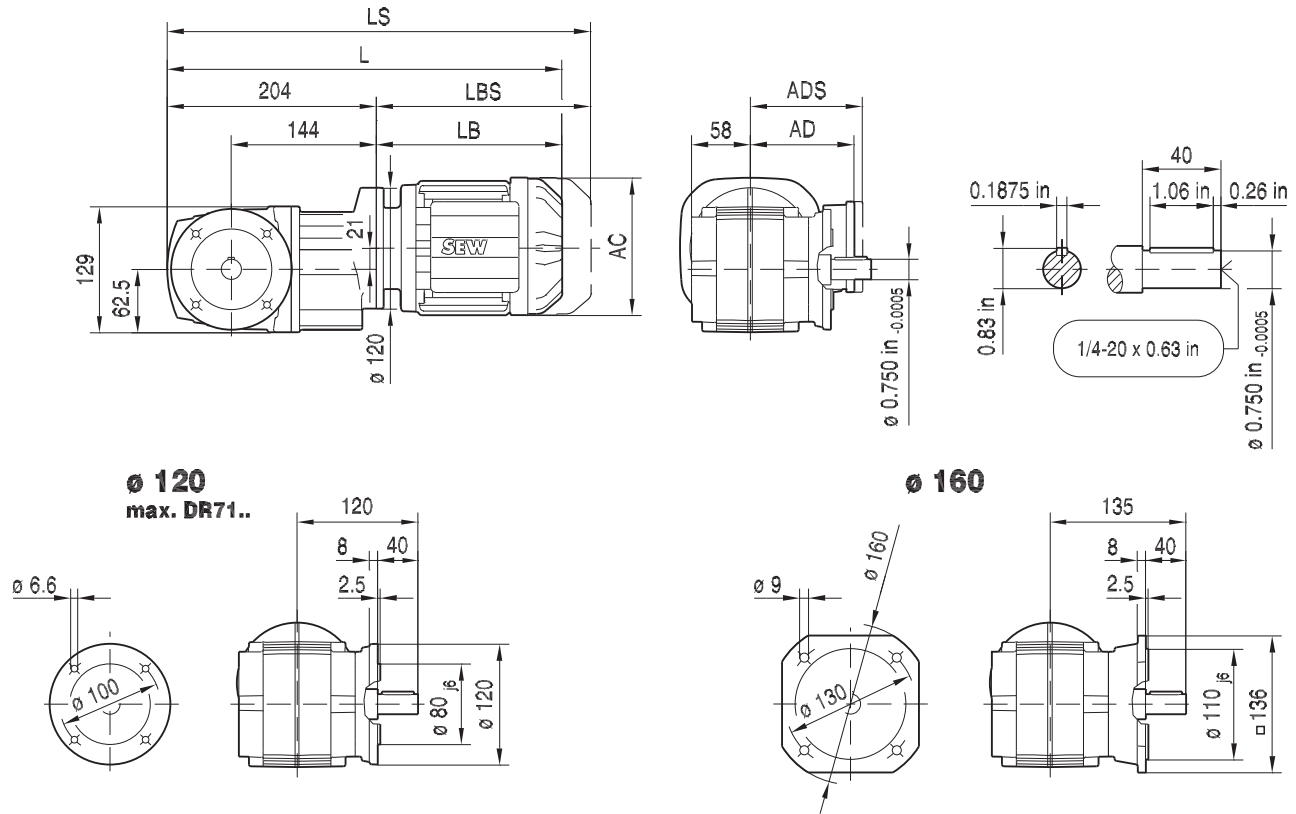
21933480/EN-US - 04/2018

(→ 163)	DR63	DRS71S	DRS71M	DRN80MS	DRN80M	DRN90S	DRN90L
AC	132	139	139	156	156	179	179
AD	105	119	119	128	128	140	140
ADS	105	129	129	139	139	150	150
L	398	409	434	461	489	490	522
LS	453	477	502	542	570	584	616
LB	191	202	227	254	282	283	315
LBS	246	270	295	335	363	377	409

Dimensions in mm unless noted as inch. For all available output shaft diameters, see page 883. For tolerances, see page 163.

20 053 00 16

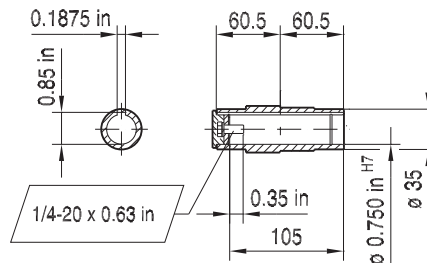
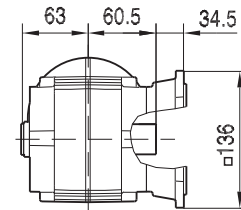
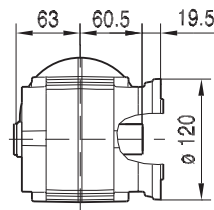
## WF37..



## WAF37..

$\phi 120$   
max. DR71..

$\phi 160$

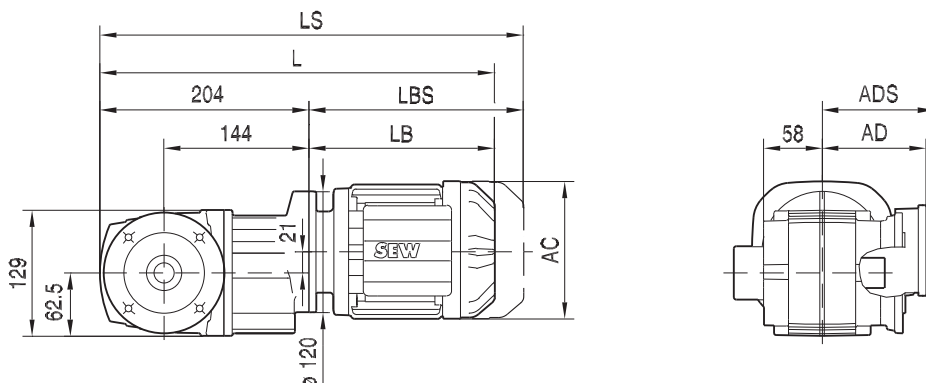


(→ 163)	DR63	DRS71S	DRS71M	DRN80MS	DRN80M	DRN90S	DRN90L
AC	132	139	139	156	156	179	179
AD	105	119	119	128	128	140	140
ADS	105	129	129	139	139	150	150
L	395	406	431	458	486	487	519
LS	450	474	499	539	567	581	613
LB	191	202	227	254	282	283	315
LBS	246	270	295	335	363	377	409

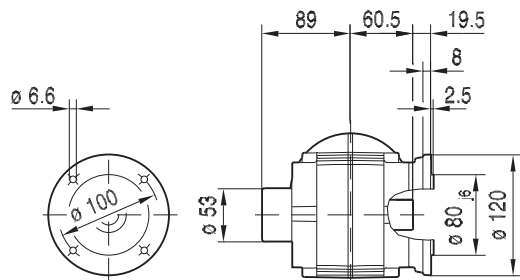
Dimensions in mm unless noted as inch. For all available output shaft diameters, see page 883. For tolerances, see page 163.

20 054 00 16

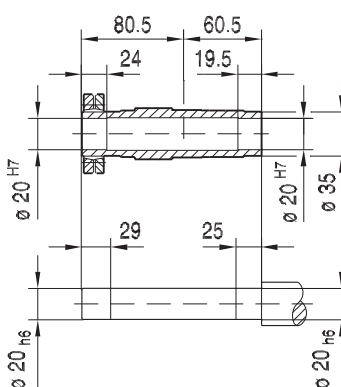
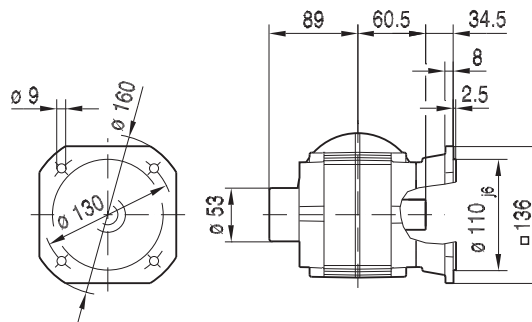
WHF37..



∅ 120  
max. DR71..



∅ 160



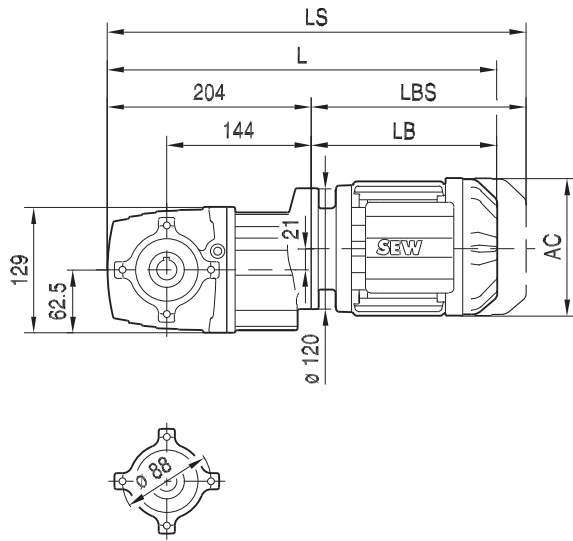
(→ 163)	DR63	DRS71S	DRS71M	DRN80MS	DRN80M	DRN90S	DRN90L
AC	132	139	139	156	156	179	179
AD	105	119	119	128	128	140	140
ADS	105	129	129	139	139	150	150
L	395	406	431	458	486	487	519
LS	450	474	499	539	567	581	613
LB	191	202	227	254	282	283	315
LBS	246	270	295	335	363	377	409

Dimensions in mm unless noted as inch. For tolerances, see page 163.

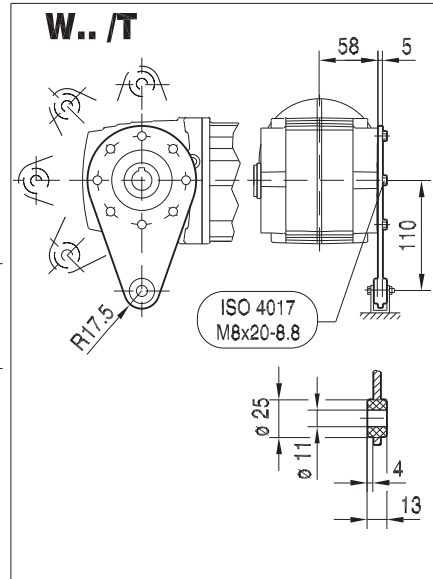
21933480/EN-US - 04/2018



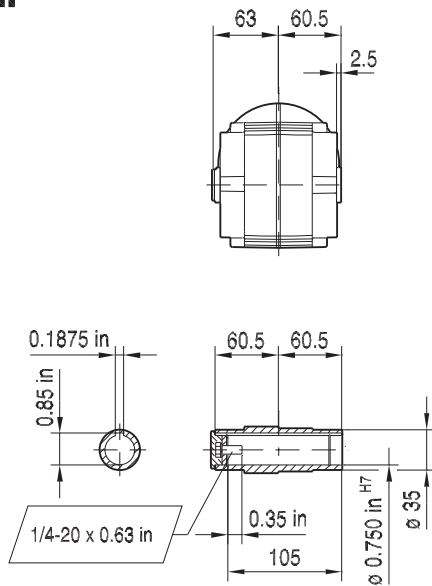
#### WA37..



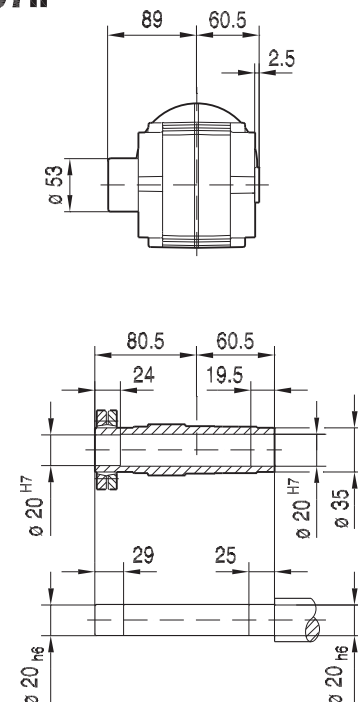
20 055 00 16



#### WA37..



#### WH37..

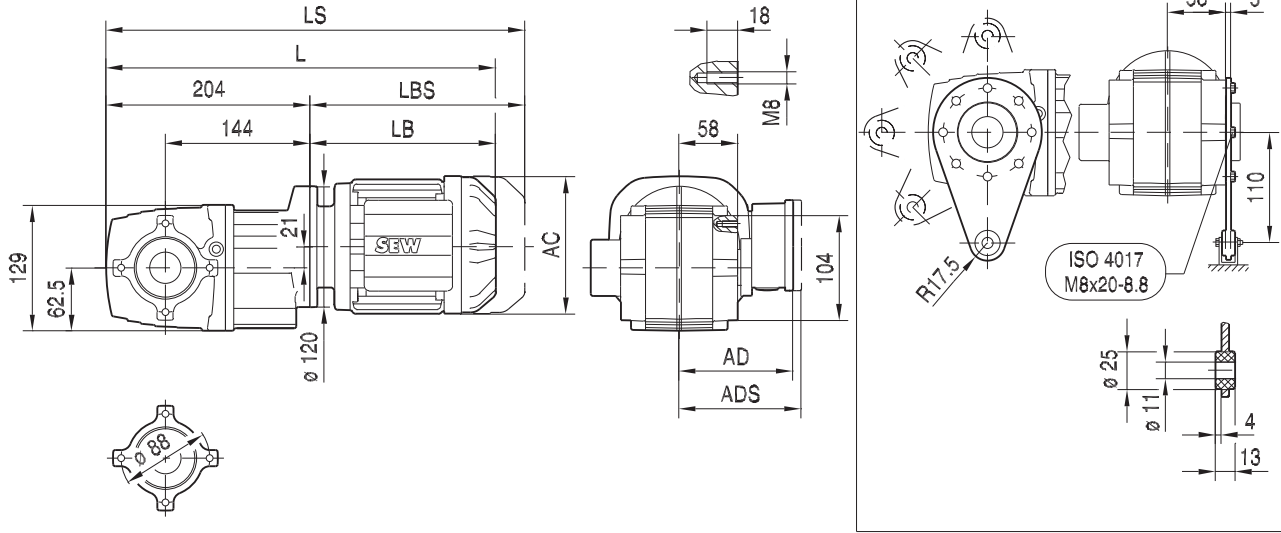


(→ 163)	DR63	DRS71S	DRS71M	DRN80MS	DRN80M	DRN90S	DRN90L
AC	132	139	139	156	156	179	179
AD	105	119	119	128	128	140	140
ADS	105	129	129	139	139	150	150
L	395	406	431	458	486	487	519
LS	450	474	499	539	567	581	613
LB	191	202	227	254	282	283	315
LBS	246	270	295	335	363	377	409

Dimensions in mm unless noted as inch. For all available output shaft diameters, see page 885. For tolerances, see page 163.

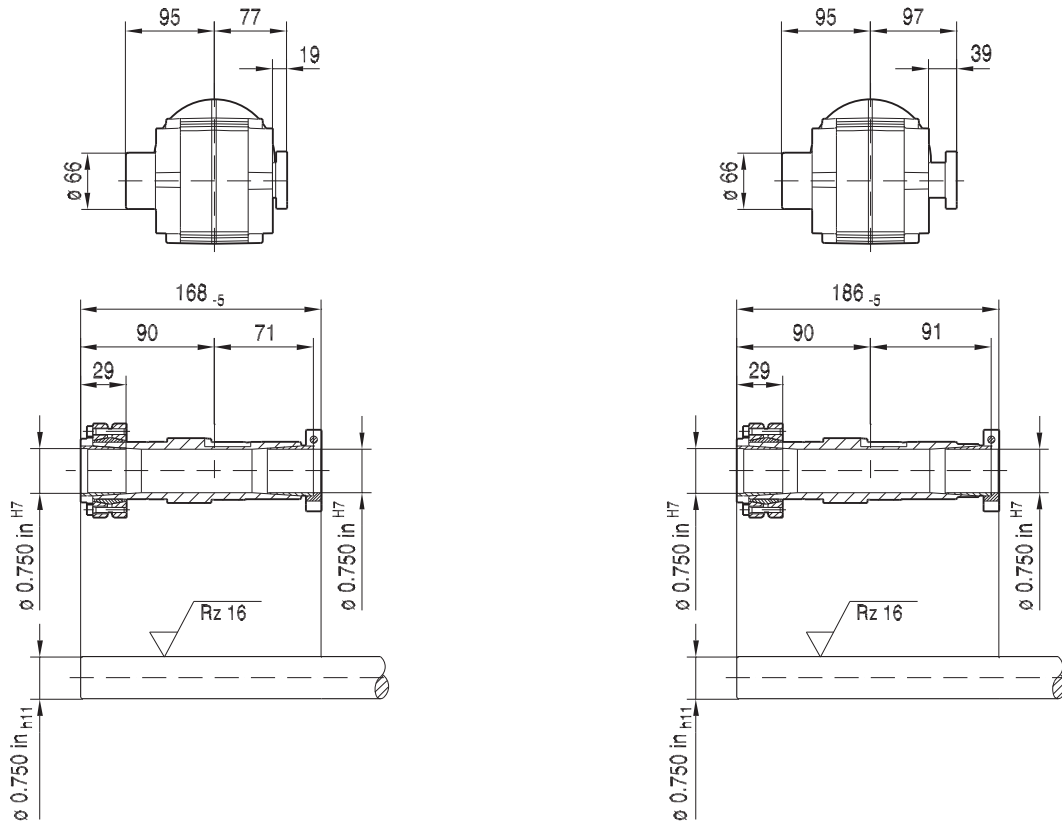
**WT37..**

20 056 00 16



**NON-Symmetrical**

**Symmetrical**



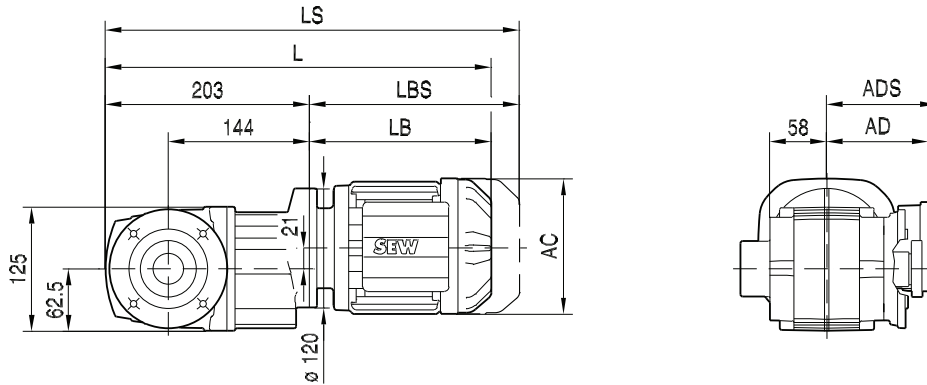
(→ 163)	DR63	DRS71S	DRS71M	DRN80MS	DRN80M	DRN90S	DRN90L
AC	132	139	139	156	156	179	179
AD	105	119	119	128	128	140	140
ADS	105	129	129	139	139	150	150
L	395	406	431	458	486	487	519
LS	450	474	499	539	567	581	613
LB	191	202	227	254	282	283	315
LBS	246	270	295	335	363	377	409

Dimensions in mm unless noted as inch. For all available output shaft diameters, see page 887. For tolerances, see page 163.

21933480/EN-US - 04/2018

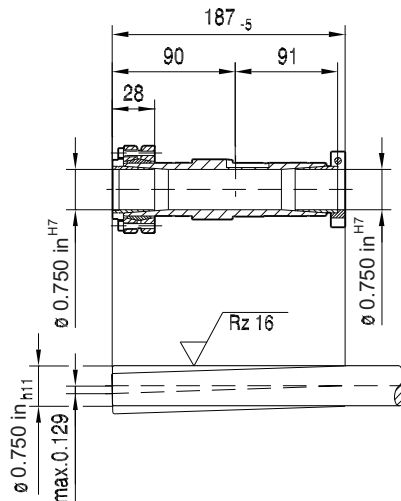
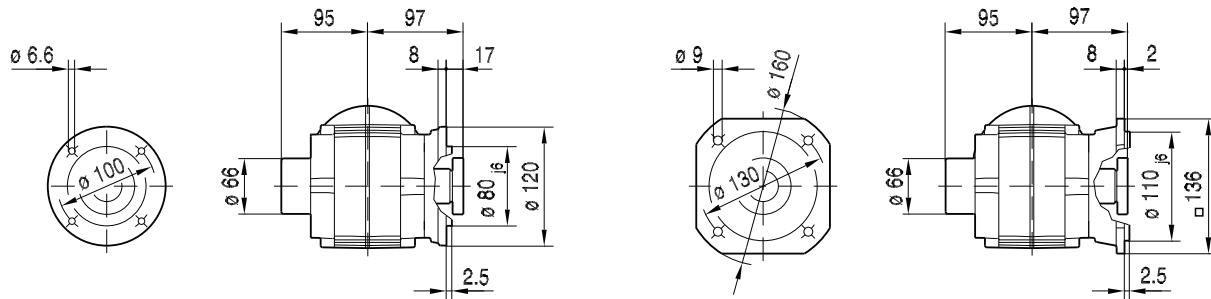
20 030 01 14 US

### WTF37..



**∅ 120**  
max. DR71..

**∅ 160**



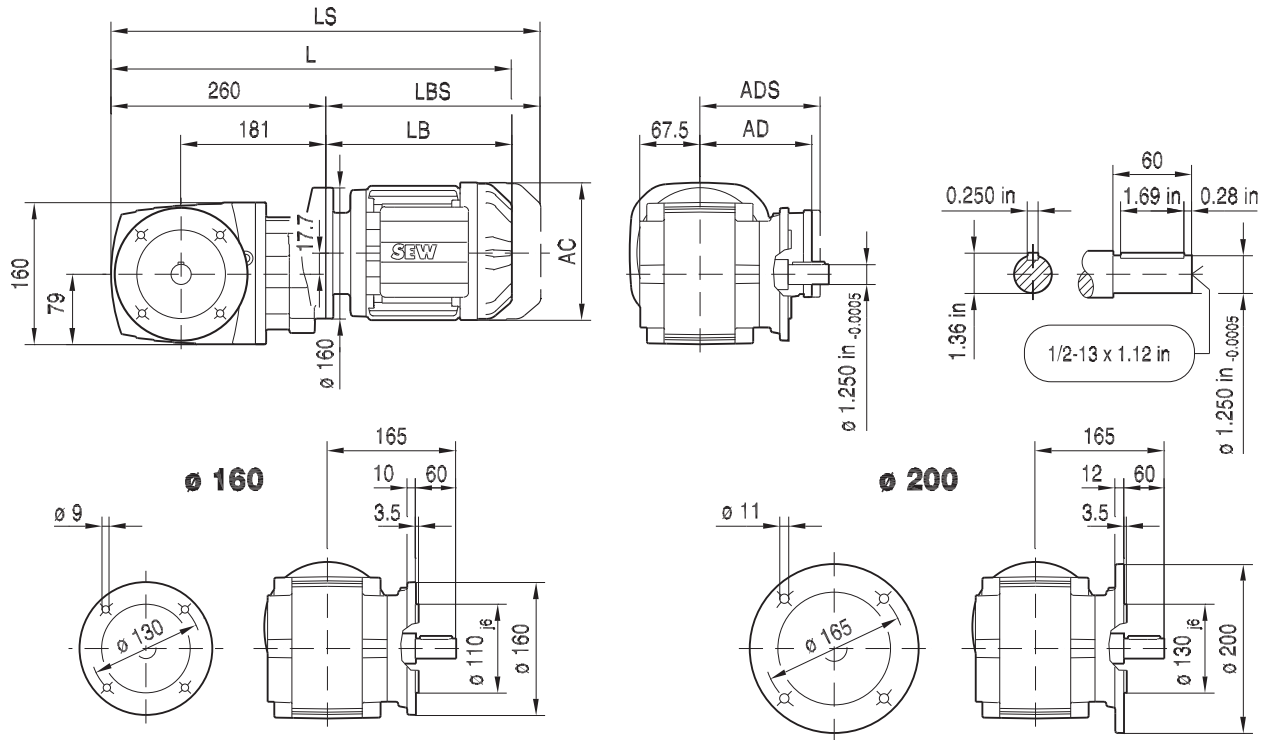
(→ 163)	DR63	DRS71S	DRS71M	DRN80MS	DRN80M	DRN90S	DRN90L
AC	132	139	139	156	156	179	179
AD	105	119	119	128	128	140	140
ADS	105	129	129	139	139	150	150
L	395	406	431	458	486	487	519
LS	450	474	499	539	567	581	613
LB	191	202	227	254	282	283	315
LBS	246	270	295	335	363	377	409

Dimensions in mm unless noted as inch. For all available output shaft diameters, see page 887. For tolerances, see page 163.

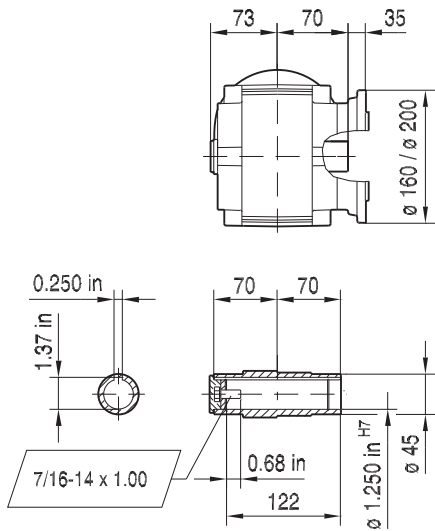


20 058 00 16

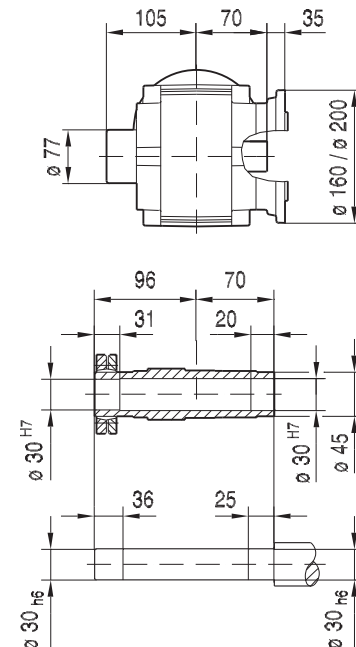
#### WF47..



#### WAF47..



#### WHF47..

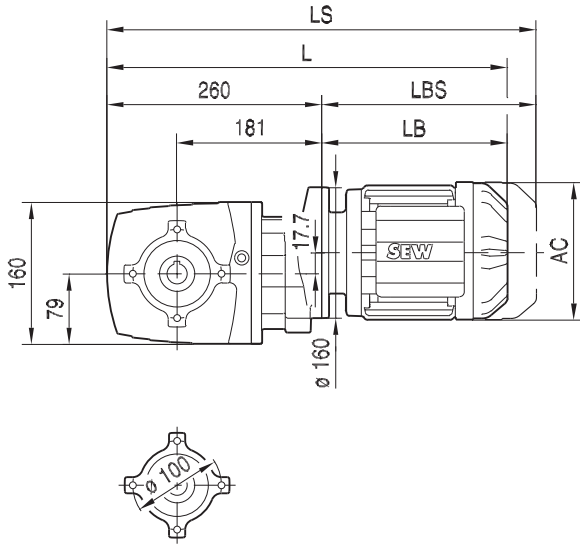


(→ 163)	DR63	DRS71S	DRS71M	DRN80MS	DRN80M	DRN90S	DRN90L	DRN100L/LM	DRN112M
AC	132	139	139	156	156	179	179	197	221
AD	105	119	119	128	128	140	140	157	170
ADS	105	129	129	139	139	150	150	158	172
L	445	456	481	507	535	537	569	615	646
LS	500	524	549	588	616	630	662	709	758
LB	185	196	221	247	275	277	309	355	386
LBS	240	264	289	328	356	370	402	449	498

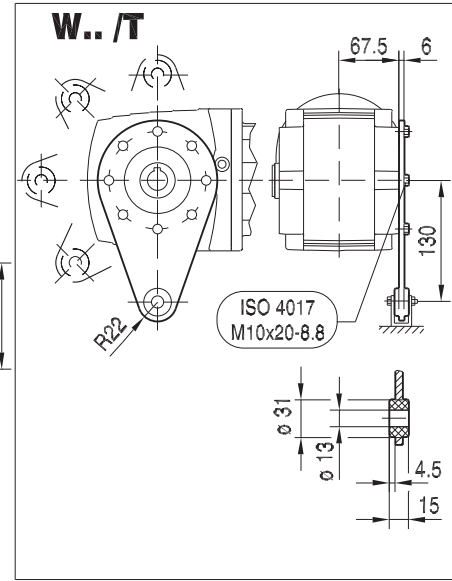
Dimensions in mm unless noted as inch. For all available output shaft diameters, see page 883. For tolerances, see page 163.

21933480/EN-US - 04/2018

**WA47..**

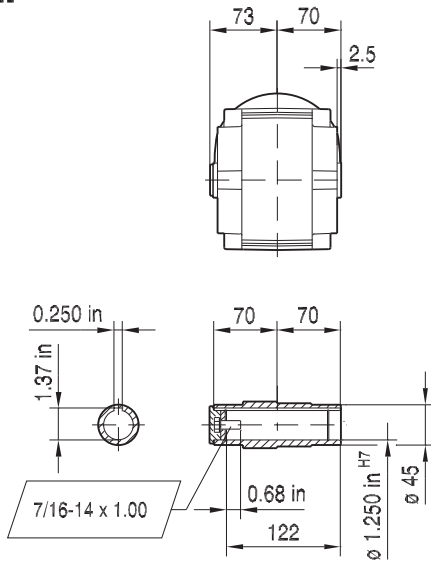


20 059 00 16

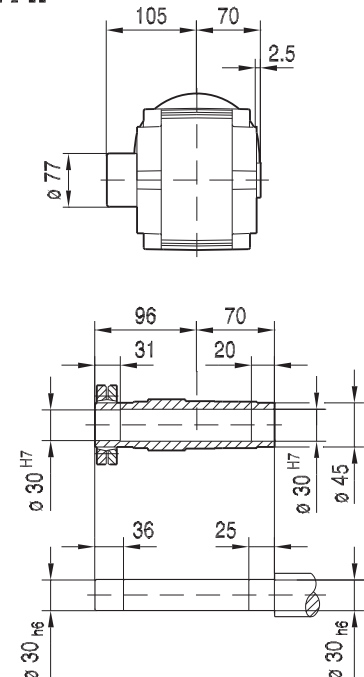


12

**WA47..**



**WH47..**

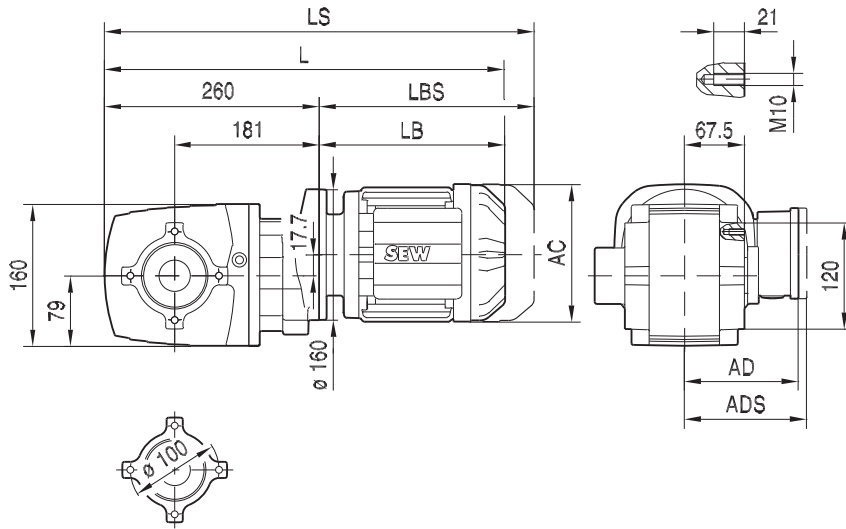


21933480/EN-US - 04/2018

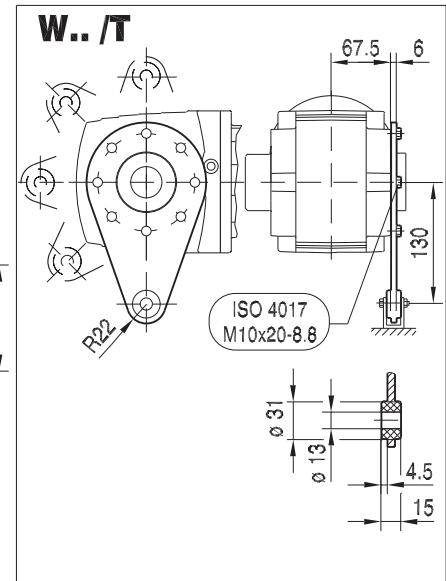
(→ 163)	DR63	DRS71S	DRS71M	DRN80MS	DRN80M	DRN90S	DRN90L	DRN100L/LM	DRN112M
AC	132	139	139	156	156	179	179	197	221
AD	105	119	119	128	128	140	140	157	170
ADS	105	129	129	139	139	150	150	158	172
L	445	456	481	507	535	537	569	615	646
LS	500	524	549	588	616	630	662	709	758
LB	185	196	221	247	275	277	309	355	386
LBS	240	264	289	328	356	370	402	449	498

Dimensions in mm unless noted as inch. For all available output shaft diameters, see page 885. For tolerances, see page 163.

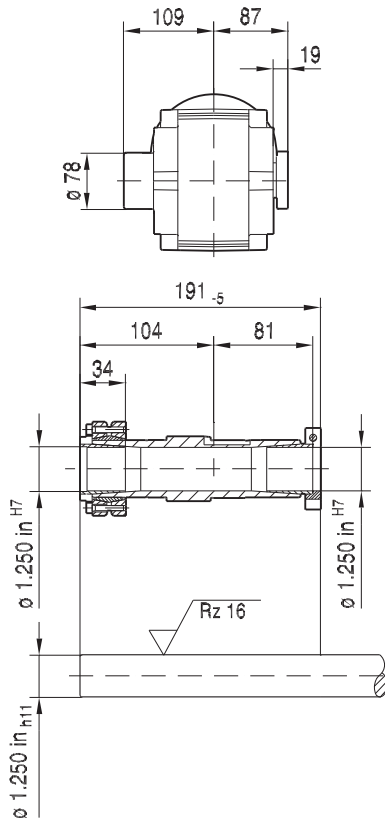
### WT47..



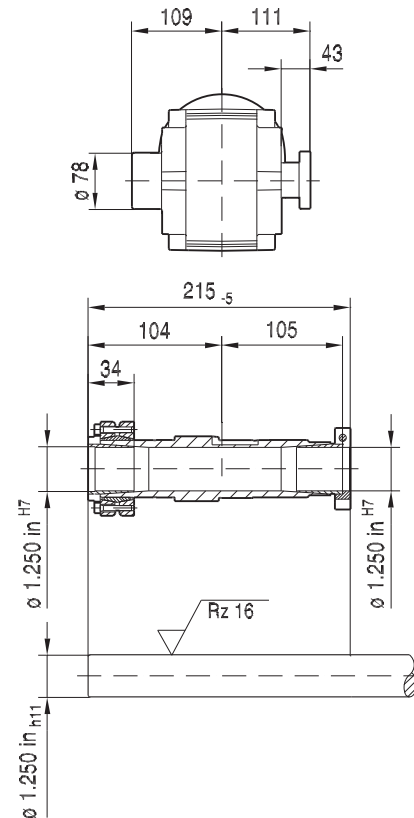
20 060 00 16



### NON-Symmetrical



### Symmetrical

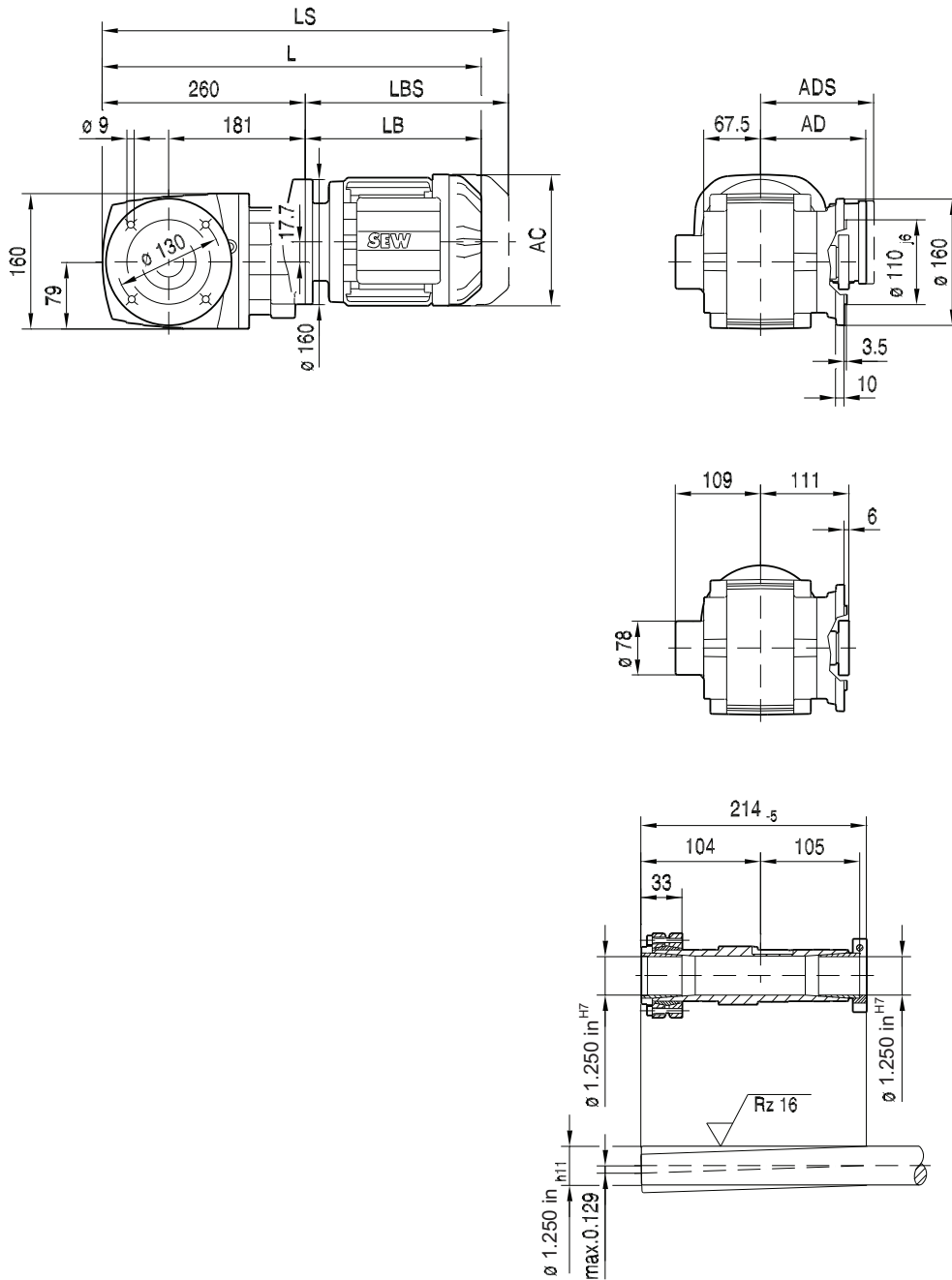


(→ 163)	DR63	DRS71S	DRS71M	DRN80MS	DRN80M	DRN90S	DRN90L	DRN100L/LM	DRN112M
AC	132	139	139	156	156	179	179	197	221
AD	105	119	119	128	128	140	140	157	170
ADS	105	129	129	139	139	150	150	158	172
L	445	456	481	507	535	537	569	615	646
LS	500	524	549	588	616	630	662	709	758
LB	185	196	221	247	275	277	309	355	386
LBS	240	264	289	328	356	370	402	449	498

Dimensions in mm unless noted as inch. For all available output shaft diameters, see page 887. For tolerances, see page 163.

**WTF47..**

**20 031 01 14 US**



12

21933480/EN-US - 04/2018

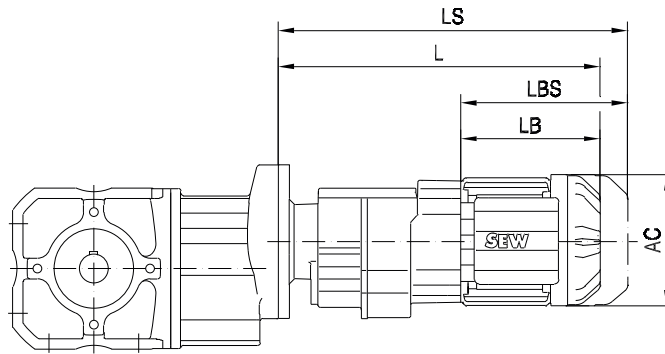
(→ 163)	DR63	DRS71S	DRS71M	DRN80MS	DRN80M	DRN90S	DRN90L	DRN100L/LM	DRN112M
AC	132	139	139	156	156	179	179	197	221
AD	105	119	119	128	128	140	140	157	170
ADS	105	129	129	139	139	150	150	158	172
L	445	456	481	507	535	537	569	615	646
LS	500	524	549	588	616	630	662	709	758
LB	185	196	221	247	275	277	309	355	386
LBS	240	264	289	328	356	370	402	449	498

Dimensions in mm unless noted as inch. For all available output shaft diameters, see page 887. For tolerances, see page 163.



### 12.6 W.. R.. DRS/DRN.. Compound dimensions

20 018 00 09

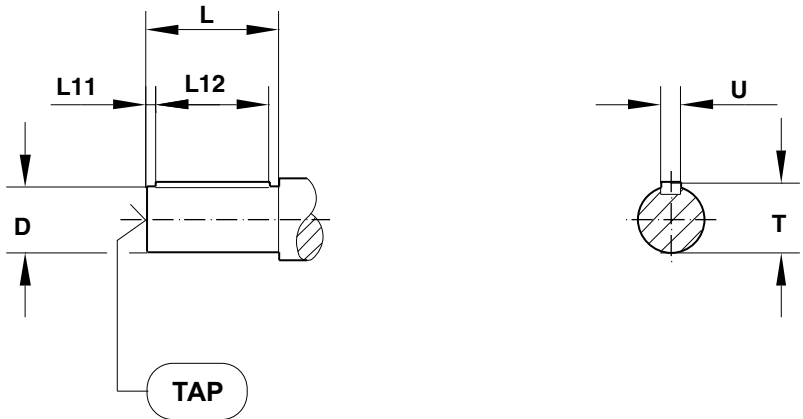


All dimensions shown in mm.

Gear	Motor	AC	L	LS	LB	LBS
W..37R17	DR63	132	324	379	149	204
	DRS71S	139	335	403	160	228
	DRS71M	139	360	428	185	253
W..47R17	DR63	132	324	379	149	204
	DRS71S	139	335	403	160	228
	DRS71M	139	360	428	185	253

**12.7 Output shaft sizes**

**12.7.1 Solid Shafts – Inch**



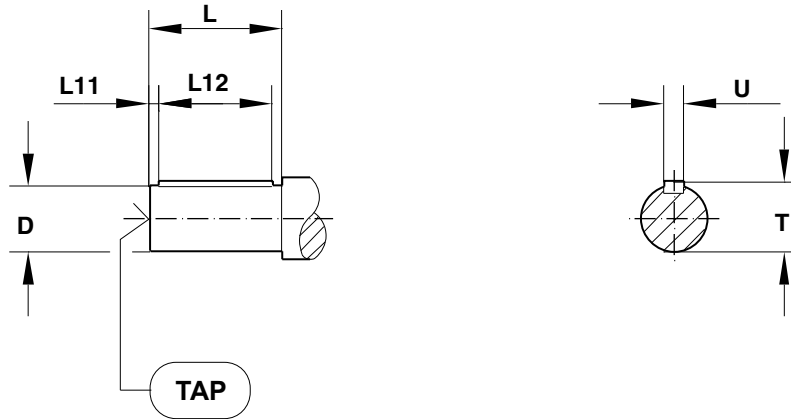
12

Model	All dimensions in inches						
	D	T	U	L <sup>1</sup>	L11	L12	TAP
W10	0.625	0.71	3/16	1.57	0.25	1-1/16	1/4 - 20 x 0.63
W20	0.750	0.83	3/16	1.57	0.25	1-1/16	1/4 - 20 x 0.63
W30	0.750	0.83	3/16	1.57	0.25	1-1/16	1/4 - 20 x 0.63
W37	0.750	0.83	3/16	1.57	0.25	1-1/16	1/4 - 20 x 0.63
W47	1.250	1.36	1/4	2.36	0.26	1-11/16	1/2 - 13 x 1.12

21933480/EN-US – 04/2018

<sup>1</sup>Longer shafts to match obsolete gear unit designs (ie: SF60, SF62) are available for flanged units.

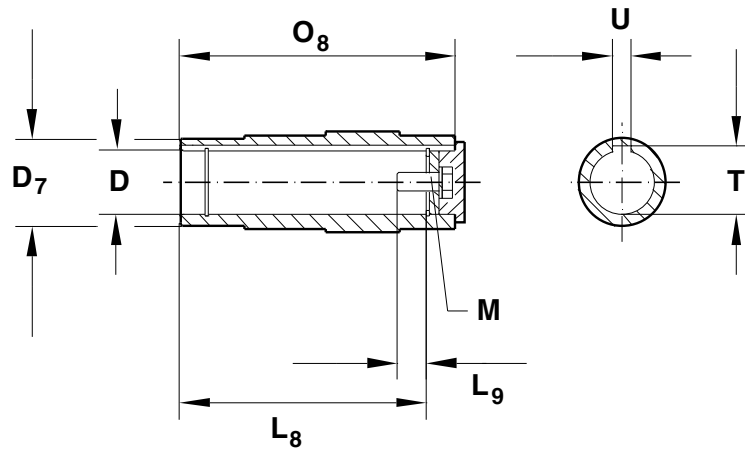
#### 12.7.2 Solid Shafts – Metric



Model	All dimensions in mm						
	D	T	U	L <sup>1</sup>	L11	L12	TAP
W10	16	18	5	40	4	32	M5 x 12.5
W20	20	22.5	6	40	4	32	M6 x 16
W30	20	22.5	6	40	4	32	M6 x 16
W37	20	22.5	6	40	4	32	M6 x 16
W47	30	33	8	60	3.5	50	M10 x 22

<sup>1</sup>Longer shafts to match obsolete gear unit designs (ie: SF60, SF62) are available for flanged units.

12.7.3 Hollow Shaft – Inch

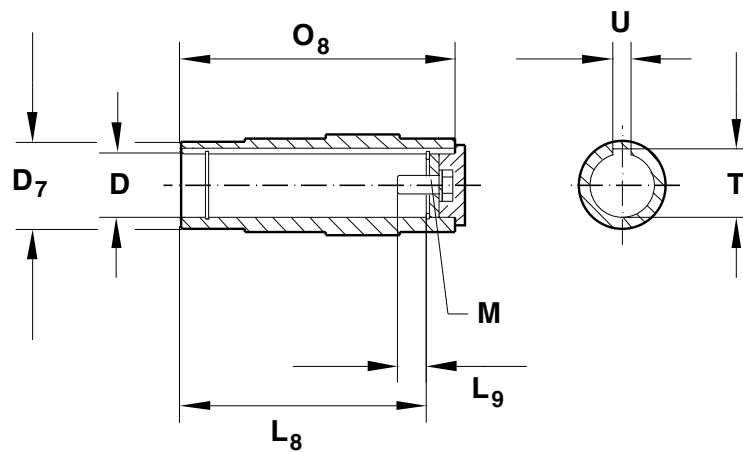


**Note:**

To aid in the future removal of your machine’s solid shaft from a hollow shaft gear unit, please see SEW-EURODRIVE design recommendations on page 121.

Model	All dimensions in inch							
	D	D7	O8	T	U	L8	L9	M
WA10	0.625	0.98	3.31	0.71	3/16	3.11	0.50	1/4 - 20 x 5/8
WA20	0.75	1.18	3.94	0.85	3/16	3.31	0.35	1/4 - 20 x 5/8
WA30	0.75	1.18	4.76	0.85	3/16	4.13	0.35	1/4 - 20 x 5/8
WA37	0.75	1.38	4.76	0.85	3/16	4.13	0.35	1/4 - 20 x 5/8
WA47	1.00	1.77	5.51	1.12	1/4	4.80	0.68	3/8 - 16 x 1
	1.25	1.77	5.51	1.37	1/4	4.80	0.68	7/16 - 14 x 1

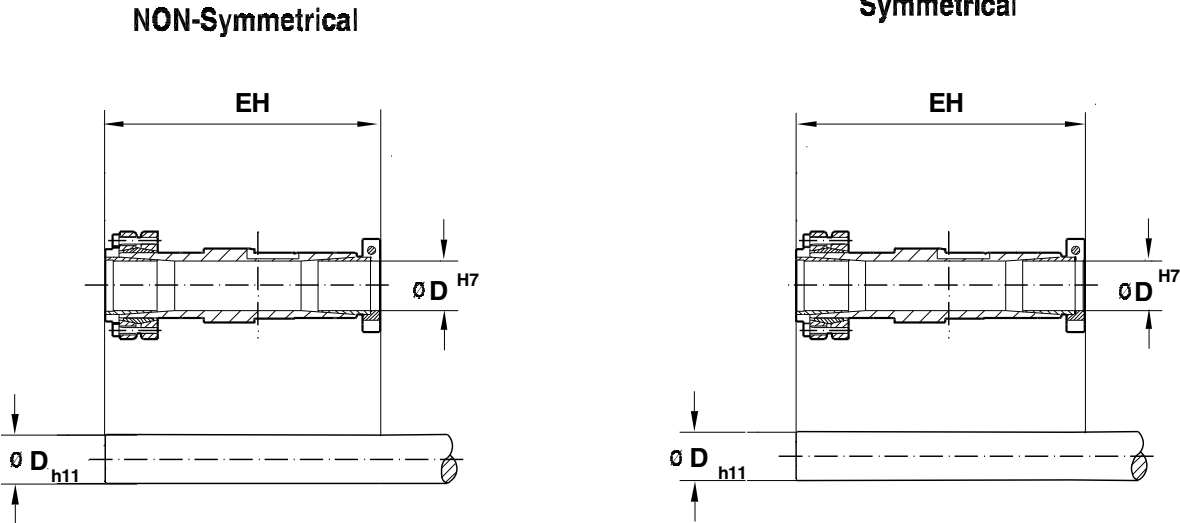
## 12.7.4 Hollow Shaft – Metric

**Note:**

To aid in the future removal of your machine's solid shaft from a hollow shaft gear unit, please see SEW-EURODRIVE design recommendations on page 121.

Model	All dimensions in mm							
	D	D7	O8	T	U	L8	L9	M
WA10	14	25	84	16.3	5	69	10	M5 x 16
	16	25	84	18.3	5	69	8	M5 x 12
WA20	18	30	100	20.8	6	84	9	M6 x 16
	20	30	100	22.8	6	84	8	M6 x 16
WA30	20	30	121	22.8	6	105	8	M6 x 16
WA37	20	35	121	22.8	6	105	8	M6 x 16
	25	35	121	27	8	105	17	M10 x 25
WA47	30	45	140	33.3	8	122	17	M10 x 25

**12.7.5 TorqLOC® keyless hollow shaft**



12

Model	D (in)						D (mm)			EH (in)	
	Inch Bores						Metric Bores			NON-Symmetrical	Symmetrical
WT37	0.625	0.6875	0.750	-	-	20	-	-	6.54	7.33	
WT47	1.00	1.1875	1.25	-	-	25	30	-	6.69	7.63	

21933480/EN-US – 04/2018